



US00D687477S

(12) **United States Design Patent**
Yasutomi et al.

(10) **Patent No.:** **US D687,477 S**

(45) **Date of Patent:** **** Aug. 6, 2013**

(54) **VIDEO CAMERA**

(75) Inventors: **Hiroshi Yasutomi**, Tokyo (JP);
Toshihiro Nakamura, Tokyo (JP)

(73) Assignee: **Sony Corporation**, Tokyo (JP)

(**) Term: **14 Years**

(21) Appl. No.: **29/347,156**

(22) Filed: **Oct. 7, 2009**

(51) **LOC (9) Cl.** **16-05**

(52) **U.S. Cl.**

USPC **D16/219**

(58) **Field of Classification Search**

USPC D16/200, 202, 203, 218, 219; D18/50,
D18/53; 348/373; 396/535, 540, 541

See application file for complete search history.

(56) **References Cited**

U.S. PATENT DOCUMENTS

4,330,192	A *	5/1982	Shimizu	396/529
4,391,488	A *	7/1983	Ishizaka et al.	396/529
D381,995	S	8/1997	Sumita		
D417,230	S	11/1999	Sumita		
D439,919	S	4/2001	Sumita		
D450,741	S	11/2001	Oka		
D478,110	S *	8/2003	Nasu	D16/219
D524,841	S *	7/2006	Ikenaga	D16/219
D534,195	S	12/2006	Ikenaga		
D537,462	S *	2/2007	Tokiwa et al.	D16/219

D598,481	S *	8/2009	Sadatsuki et al.	D16/219
7,705,909	B2 *	4/2010	Ishizawa et al.	348/374
7,976,229	B2 *	7/2011	Kamata	396/448

* cited by examiner

Primary Examiner — Adir Aronovich

(74) *Attorney, Agent, or Firm* — Rader, Fishman & Grauer
PLLC

(57) **CLAIM**

The ornamental design for a video camera, as shown and described.

DESCRIPTION

FIG. 1 is a perspective view of a video camera showing my new design;

FIG. 2 is a front elevational view thereof;

FIG. 3 is a left side elevational view thereof;

FIG. 4 is a right side elevational view thereof; and

FIG. 5 is a bottom plan view thereof.

FIG. 6 is a perspective view of another embodiment of a video camera showing my new design;

FIG. 7 is a front elevational view thereof;

FIG. 8 is a left side elevational view thereof;

FIG. 9 is a right side elevational view thereof; and,

FIG. 10 is a bottom plan view thereof.

Portions in broken lines are for illustrative purpose only and form no part of claimed design. The dot-dash broken lines shown in FIGS. 1-10 define but are not included in, the boundaries of the claimed design.

1 Claim, 10 Drawing Sheets

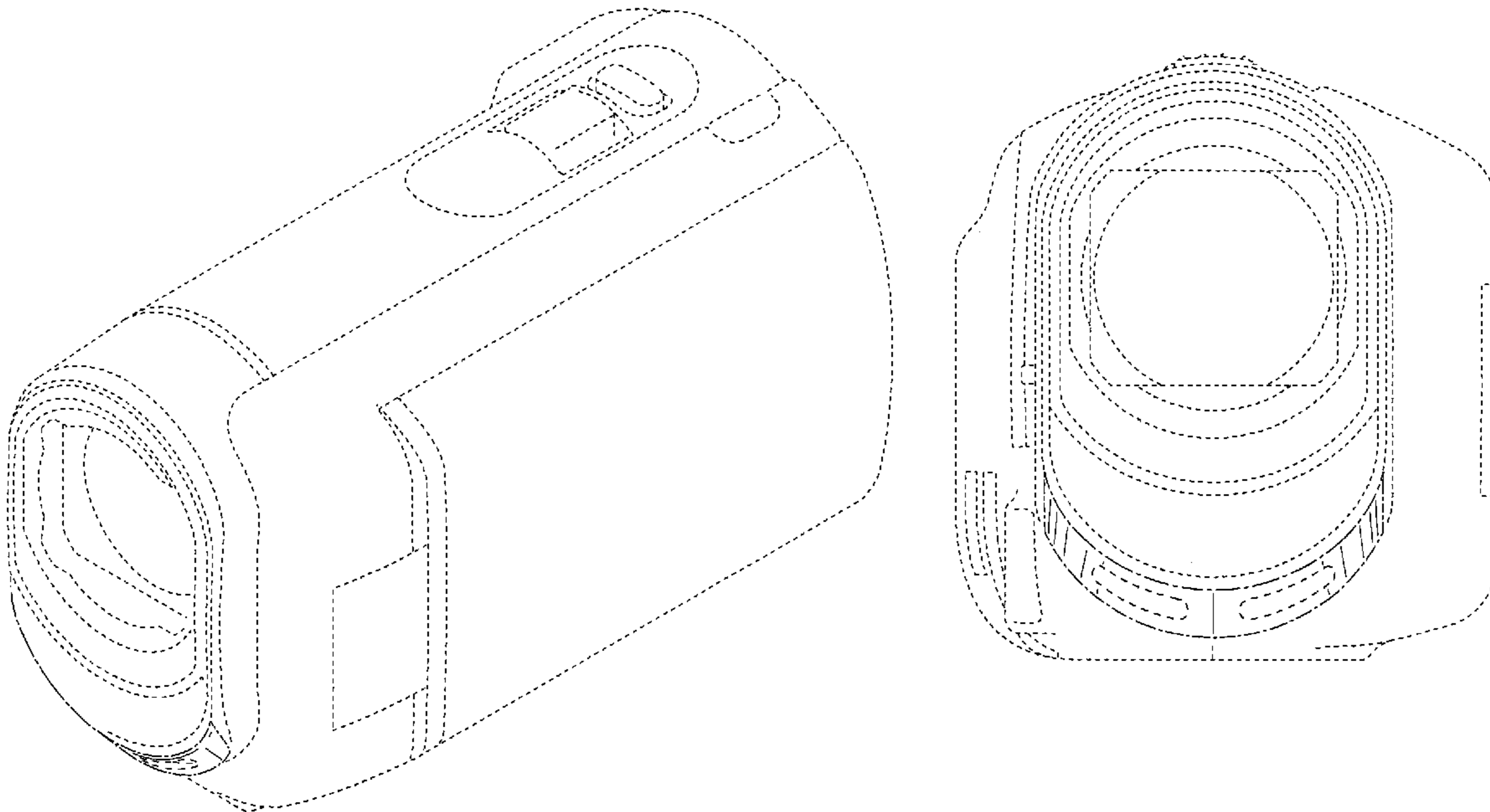


FIG.1

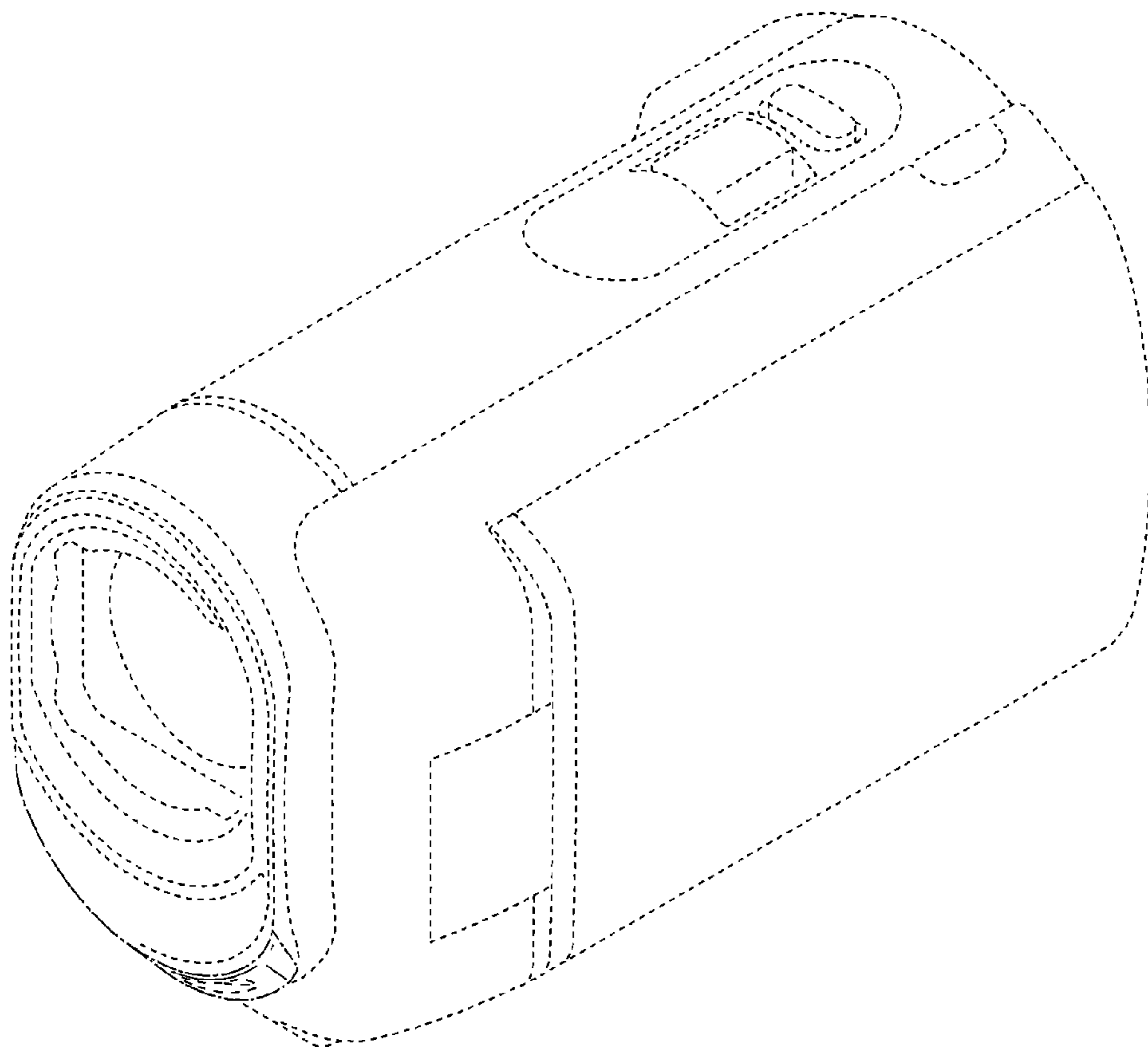


FIG.2

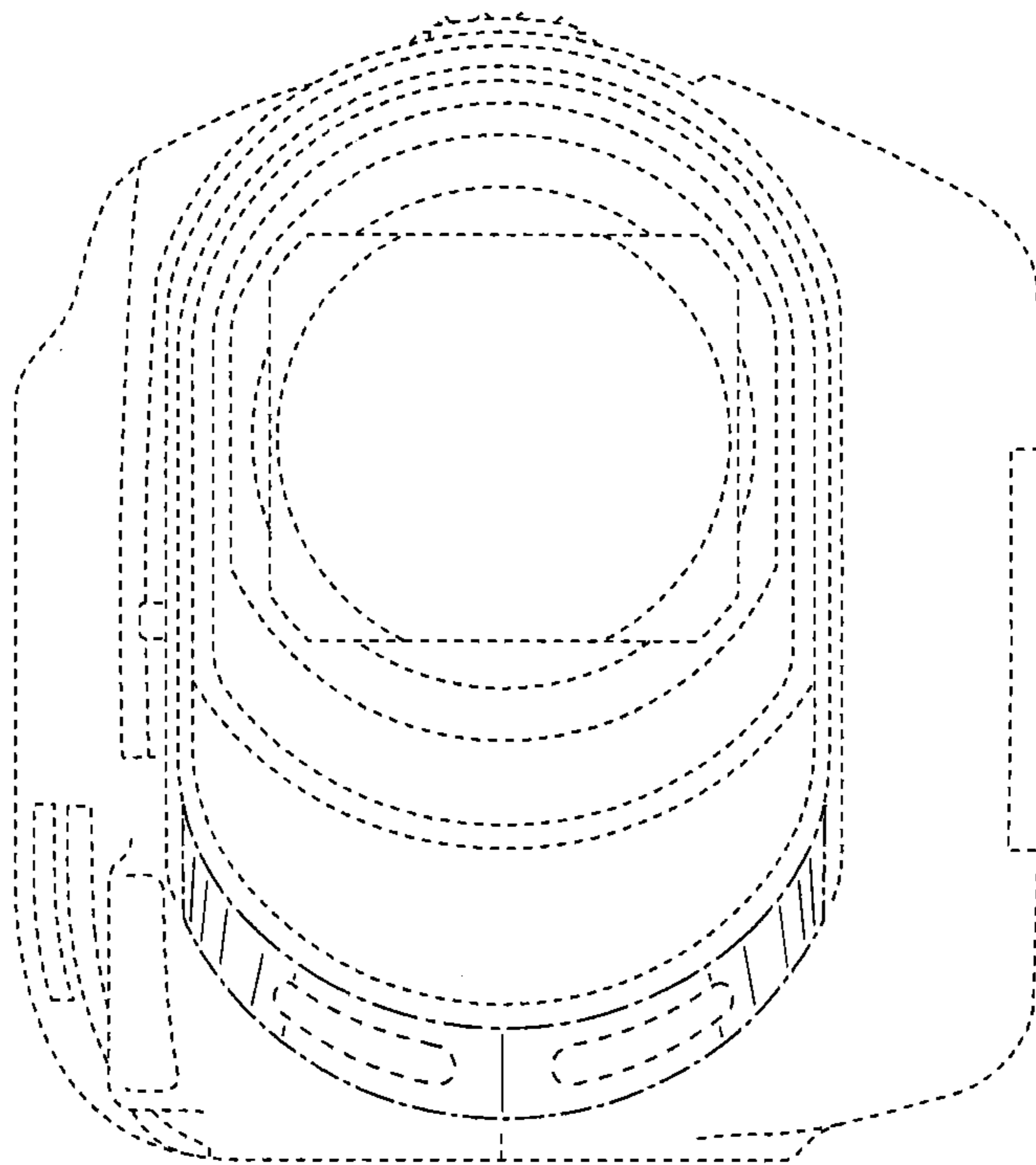


FIG.3

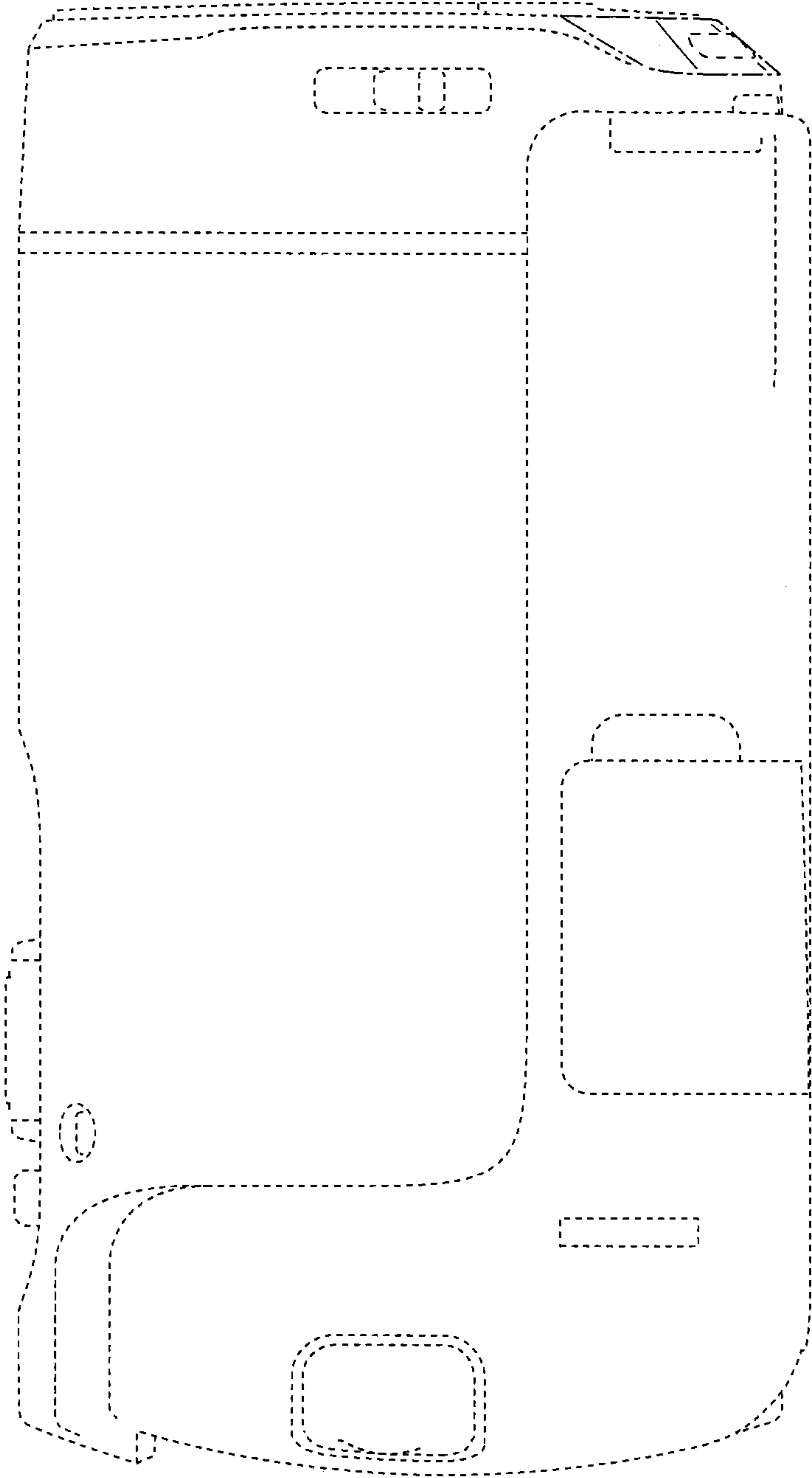


FIG.4

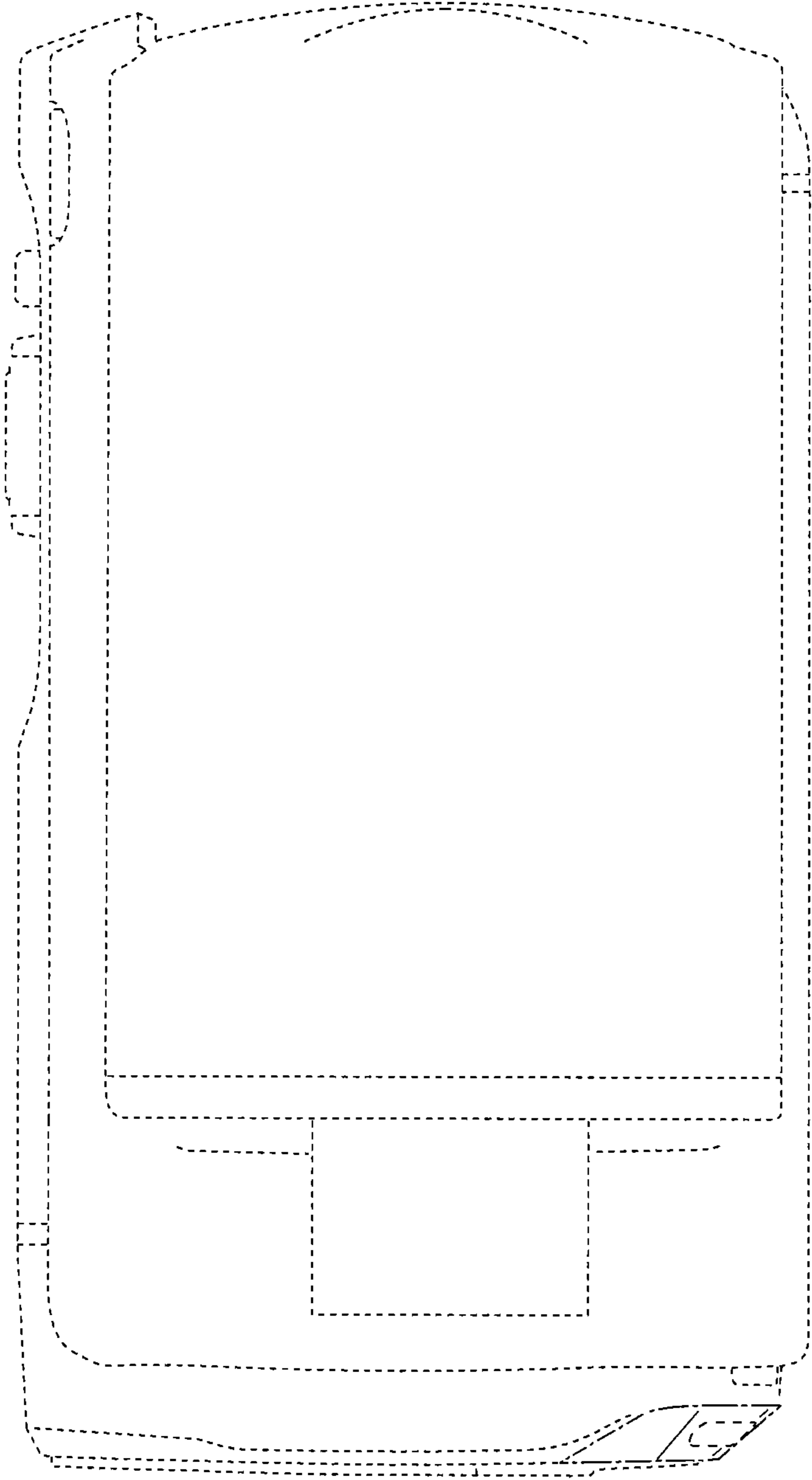


FIG.5

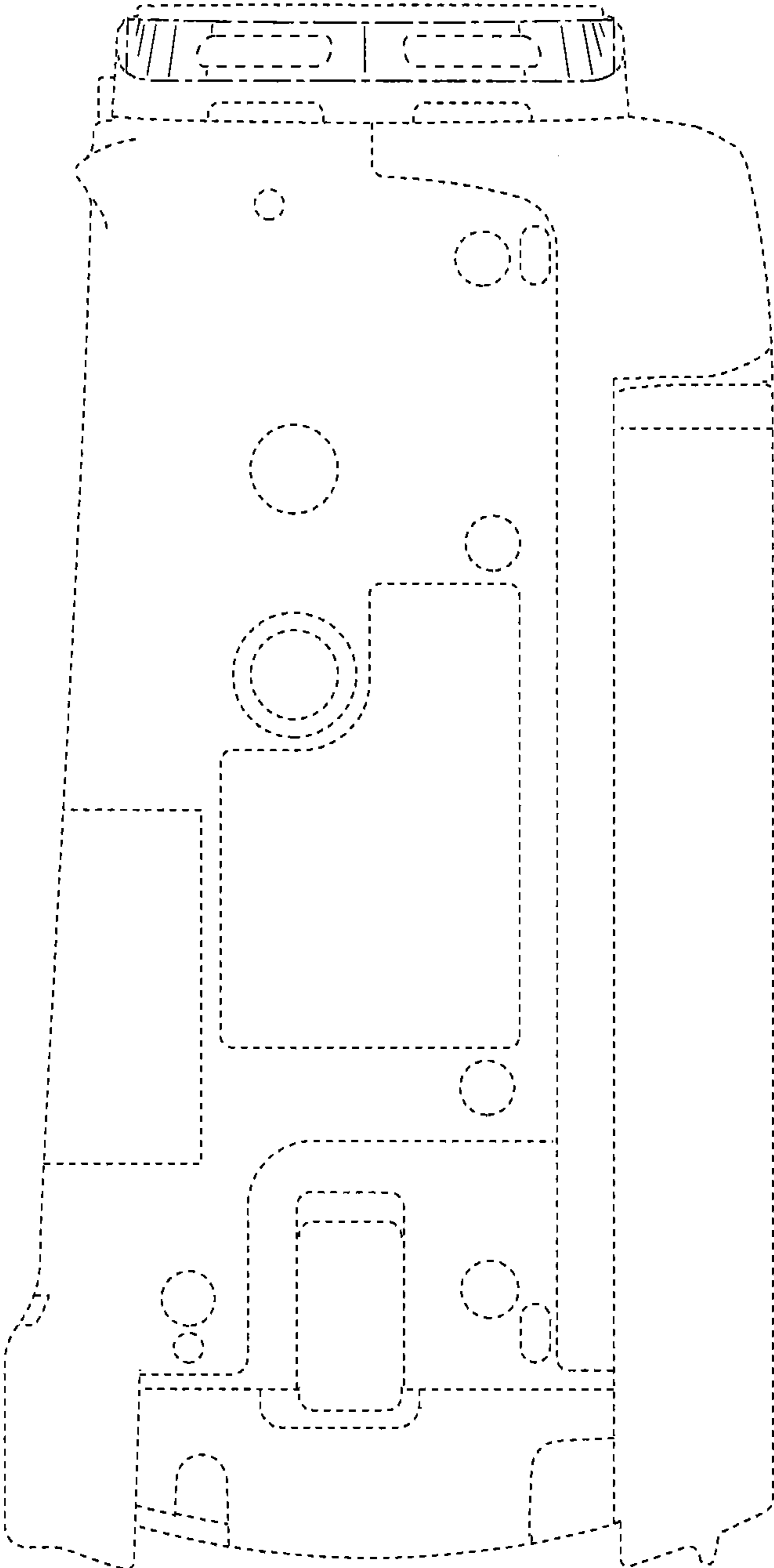


FIG.6

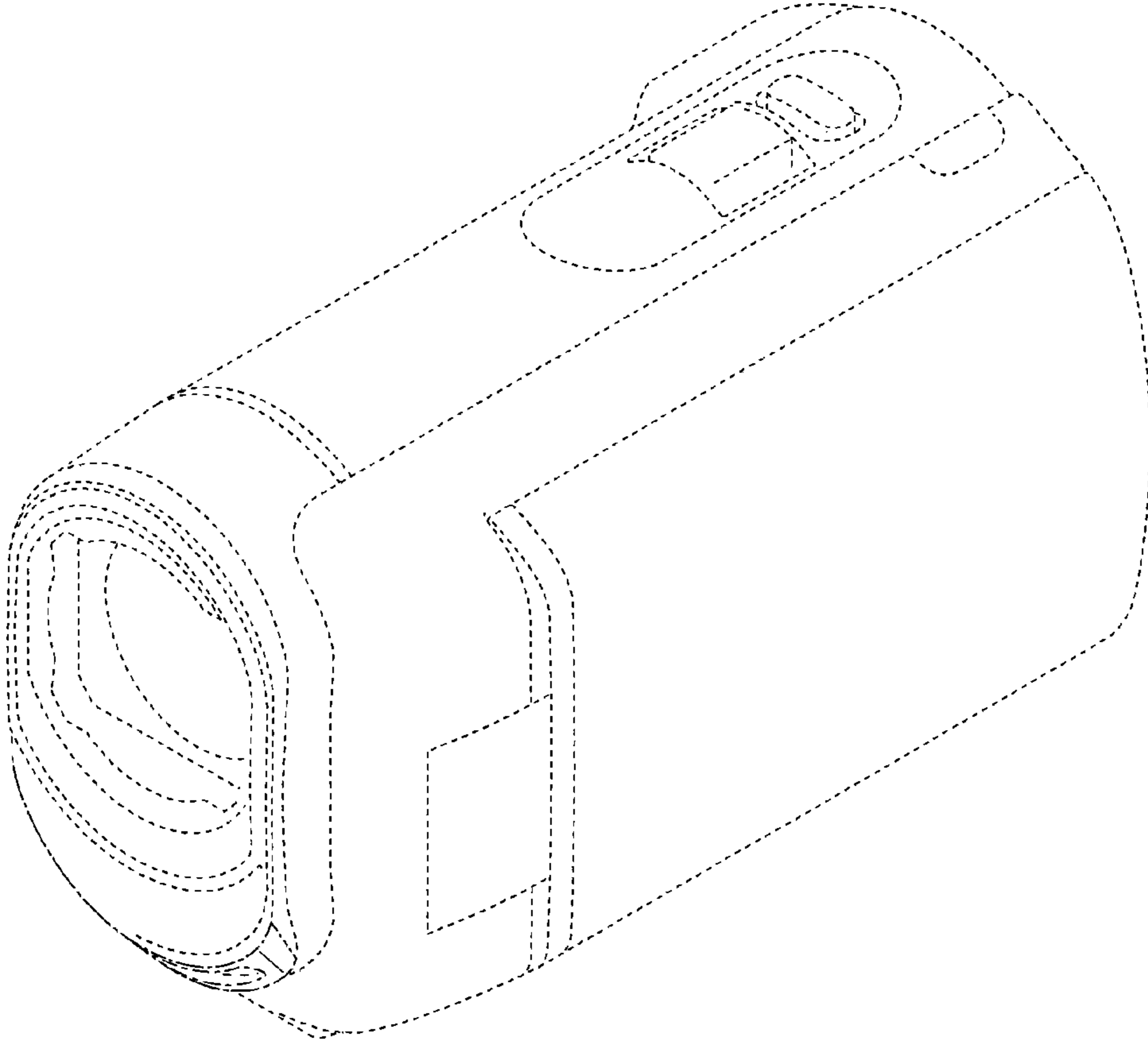


FIG.7

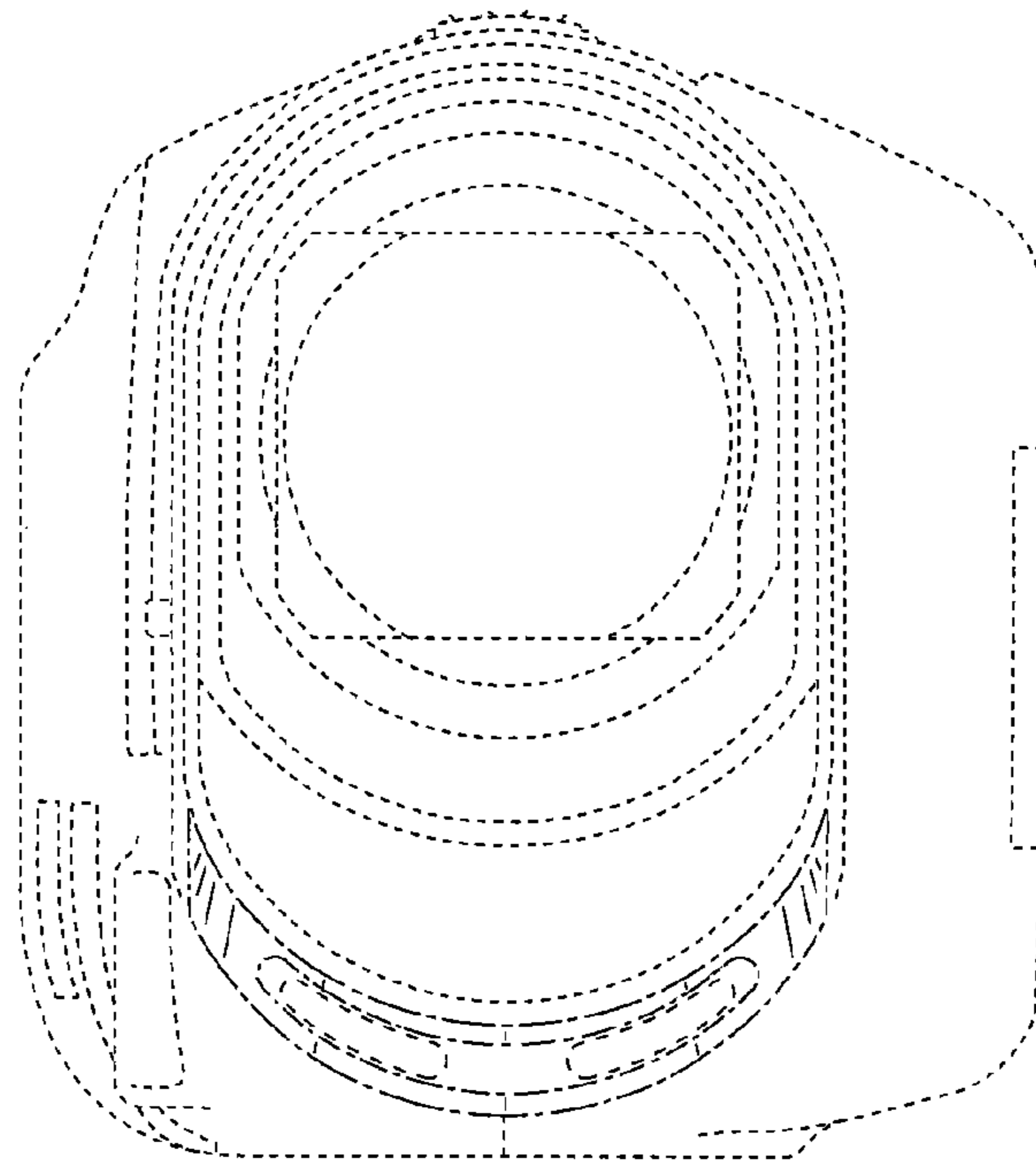


FIG.8

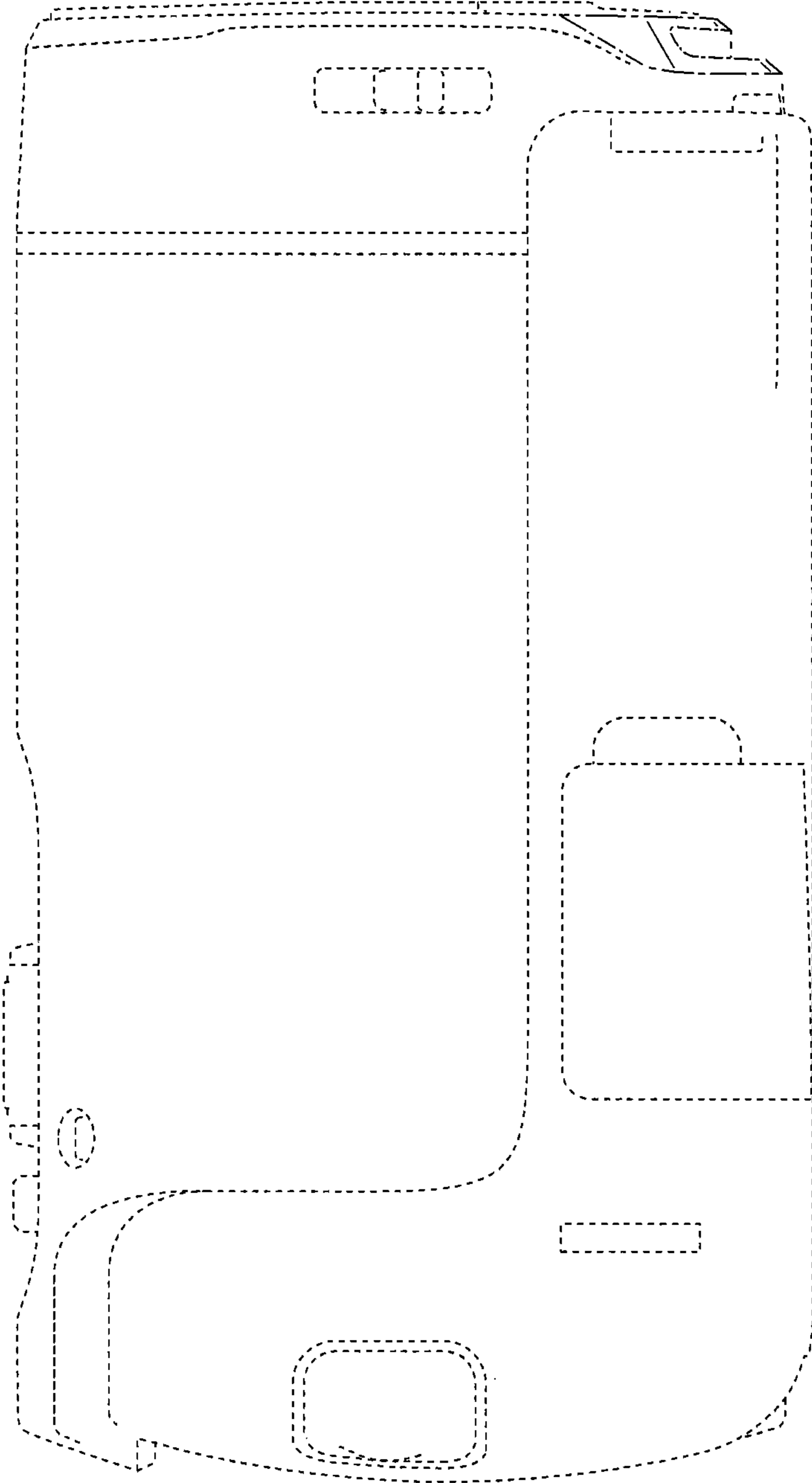


FIG. 9

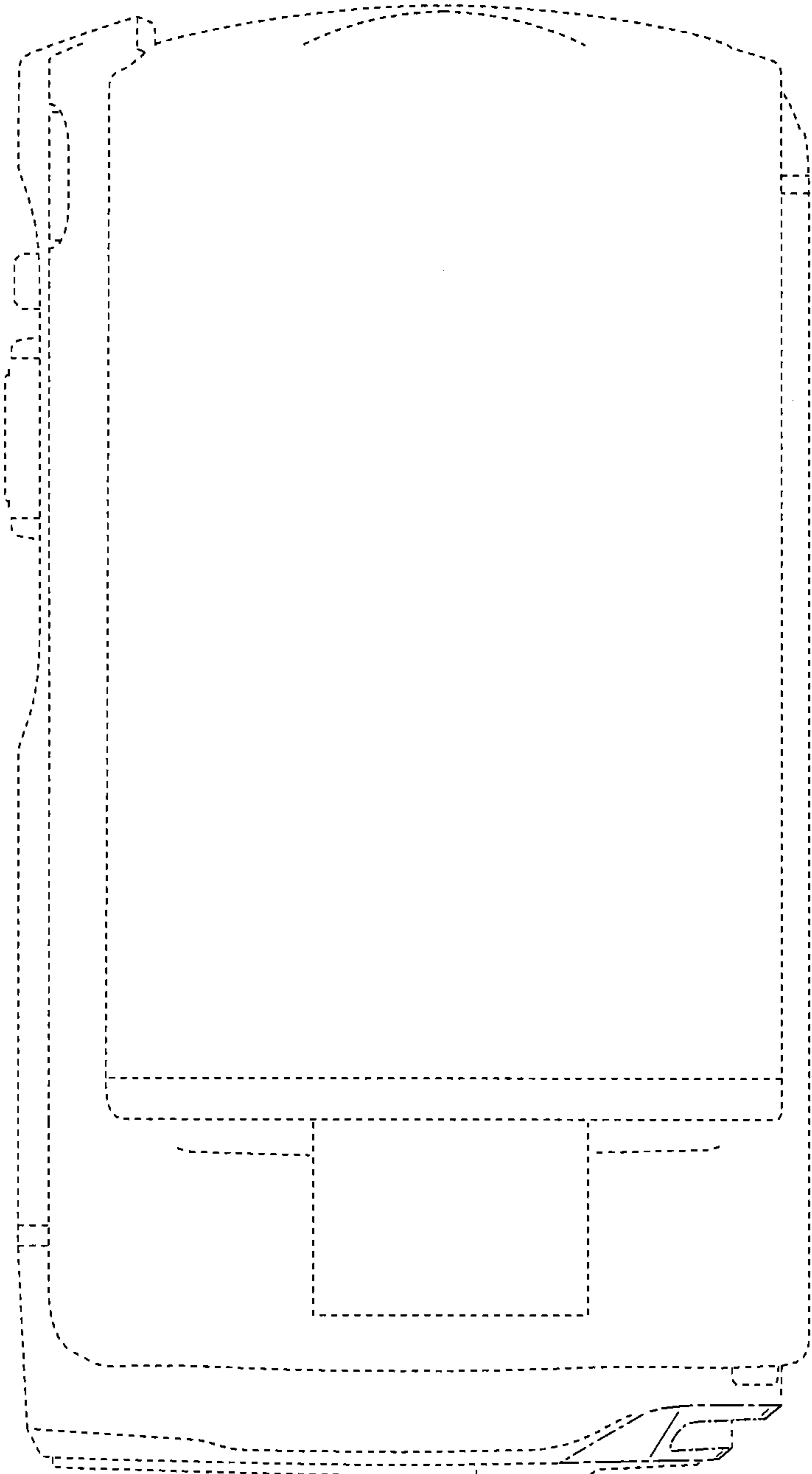


FIG.10

