



US00D687476S

(12) **United States Design Patent**
Halleck et al.

(10) **Patent No.:** **US D687,476 S**

(45) **Date of Patent:** **** Aug. 6, 2013**

(54) **VIDEO CAMERA**

Primary Examiner — Adir Aronovich

(75) Inventors: **Kevin E. Halleck**, Santa Barbara, CA (US); **Larry Oslie**, Santa Barbara, CA (US); **Rich Crandall**, Santa Ynez, CA (US); **Chase VanRossen**, Santa Barbara, CA (US); **Chris A. Kolendrianos**, Goleta, CA (US); **Greg Chambers**, San Luis Obispo, CA (US); **Esteban Cortina**, Santa Barbara, CA (US)

(74) *Attorney, Agent, or Firm* — St. Onge Steward Johnston & Reens LLC

(57) **CLAIM**

The ornamental design for a video camera, as shown and described.

(73) Assignee: **Karl Storz Imaging, Inc.**, Goleta, CA (US)

DESCRIPTION

(**) Term: **14 Years**

FIG. 1 is a top isometric view of a video camera with the attached cable in accordance with our new design;

(21) Appl. No.: **29/390,621**

FIG. 2 is a top isometric view thereof, the cable removed for ease of illustration;

(22) Filed: **Apr. 27, 2011**

FIG. 3 is a bottom isometric view of the video camera with the attached cable;

(51) **LOC (9) Cl.** **16-01**

FIG. 4 is a bottom isometric view thereof, the cable removed for ease of illustration;

(52) **U.S. Cl.**
USPC **D16/202**; D24/138

FIG. 5 is a right side isometric view of the video camera with the attached cable;

(58) **Field of Classification Search**
USPC D16/200, 202, 203, 204, 218; 348/373, 348/45; 396/45, 535; D24/137, 138; 600/101, 600/118, 122
See application file for complete search history.

FIG. 6 is a right side isometric view thereof, the cable removed for ease of illustration;

(56) **References Cited**

U.S. PATENT DOCUMENTS

D494,204 S *	8/2004	Naruke	D16/203
D501,495 S *	2/2005	Stock	D16/203
D523,455 S *	6/2006	Greise et al.	D16/202
D611,081 S *	3/2010	Kobayashi et al.	D16/218
D663,344 S *	7/2012	Yasue et al.	D16/219
D673,987 S *	1/2013	Mirrer	D16/202
D676,544 S *	2/2013	Blocher	D24/108
2009/0259102 A1 *	10/2009	Koninckx et al.	348/45

FIG. 7 is a left side isometric view of the video camera with the attached cable;

FIG. 8 is a left side isometric view thereof, the cable removed for ease of illustration;

FIG. 9 is top perspective view thereof, the cable removed for ease of illustration;

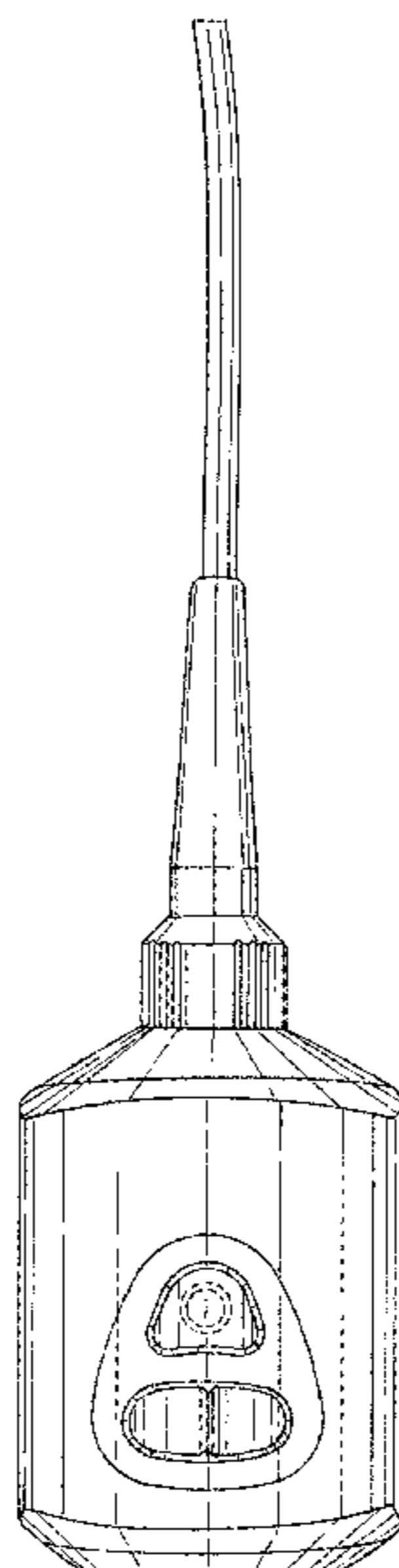
FIG. 10 is a front elevation view thereof; and,

FIG. 11 is a rear elevation view thereof, the cable removed for ease of illustration.

The portions of the video camera shown in broken lines in FIGS. 1-3, 5 and 7-11 are included for illustrative purposes only and form no part of the claimed design.

* cited by examiner

1 Claim, 11 Drawing Sheets



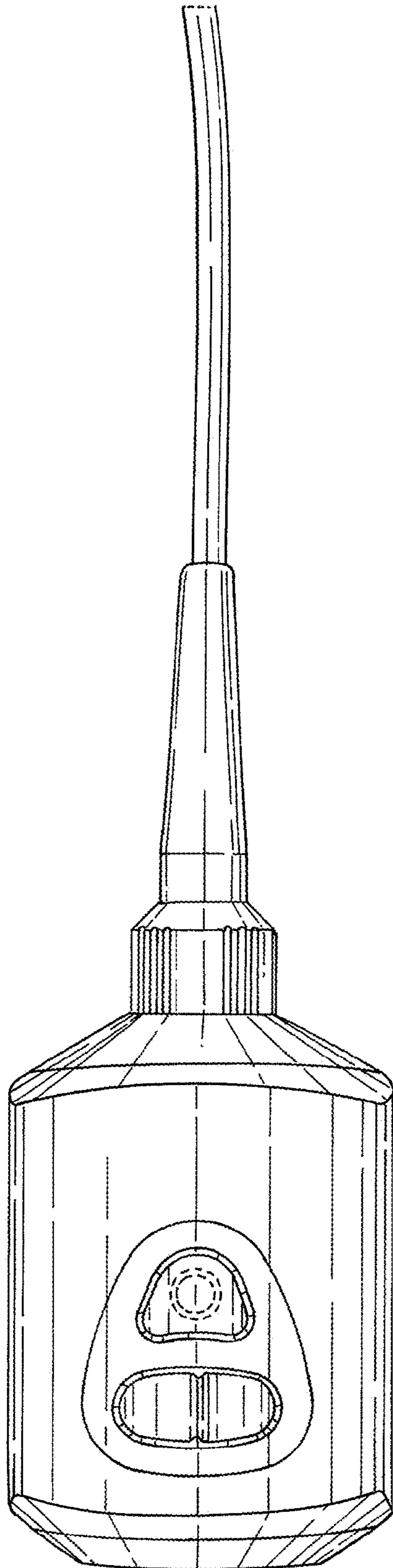


FIG. 1

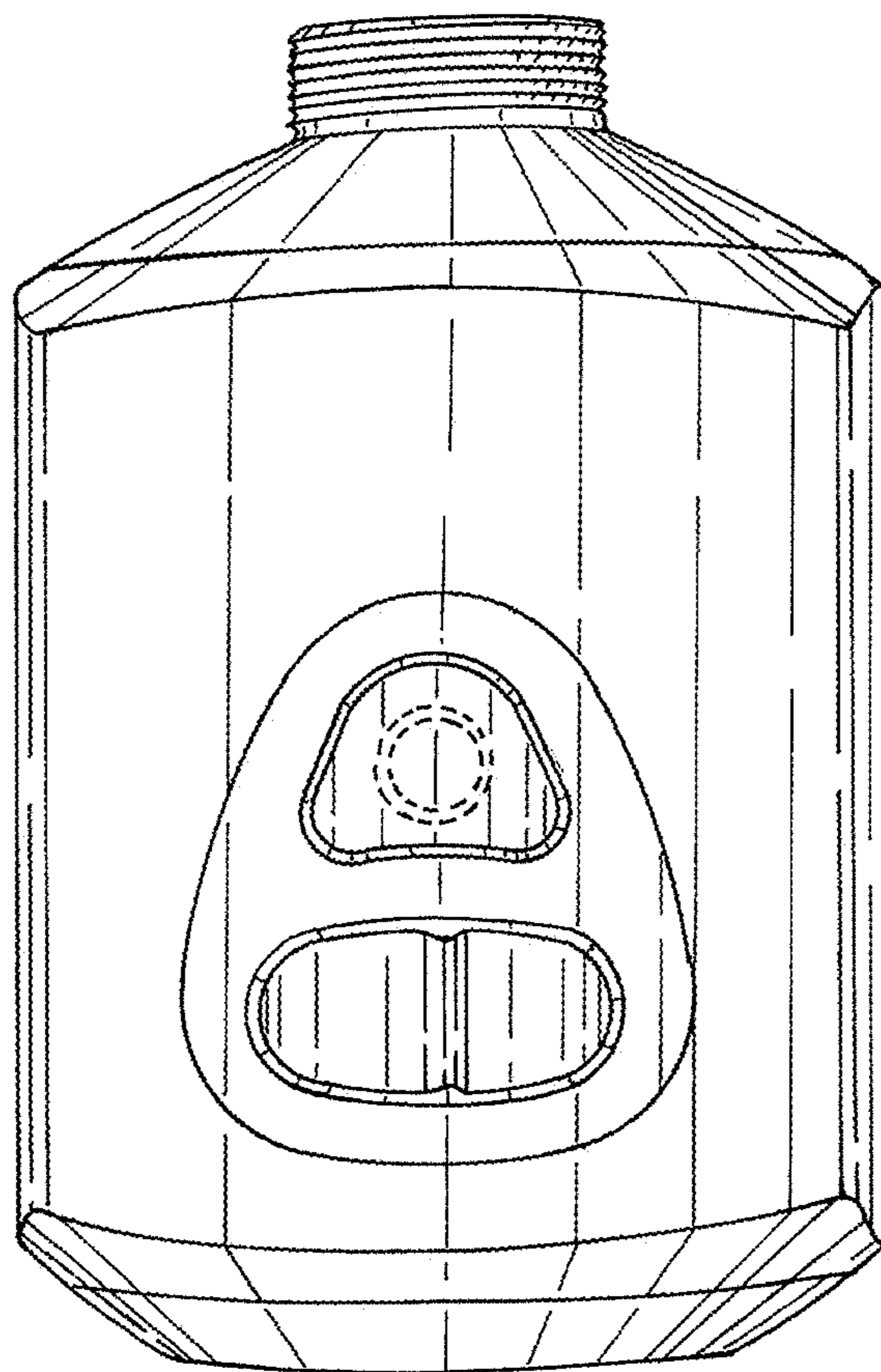


FIG. 2

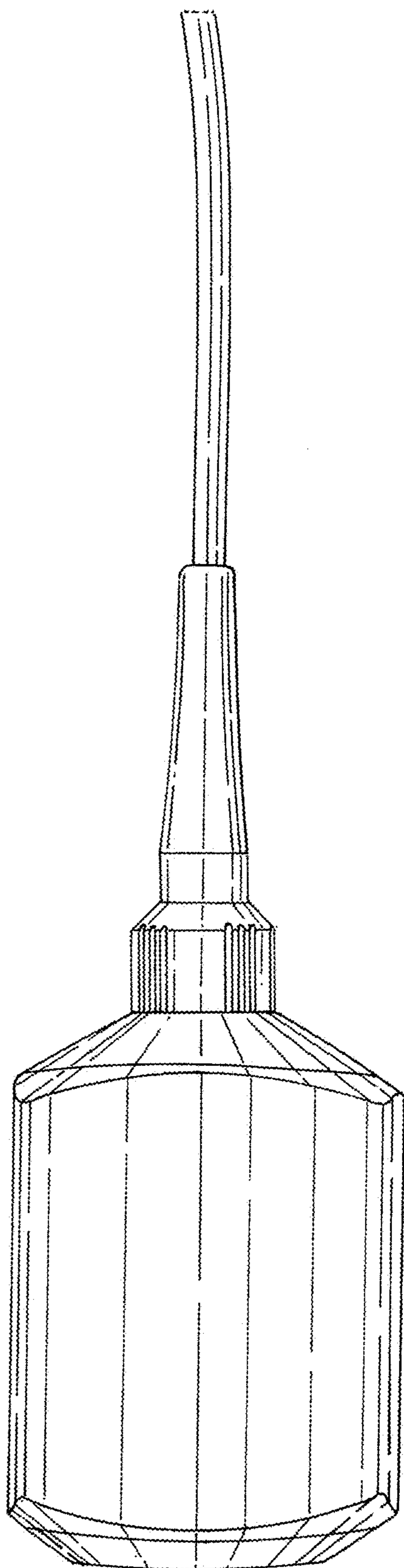


FIG. 3

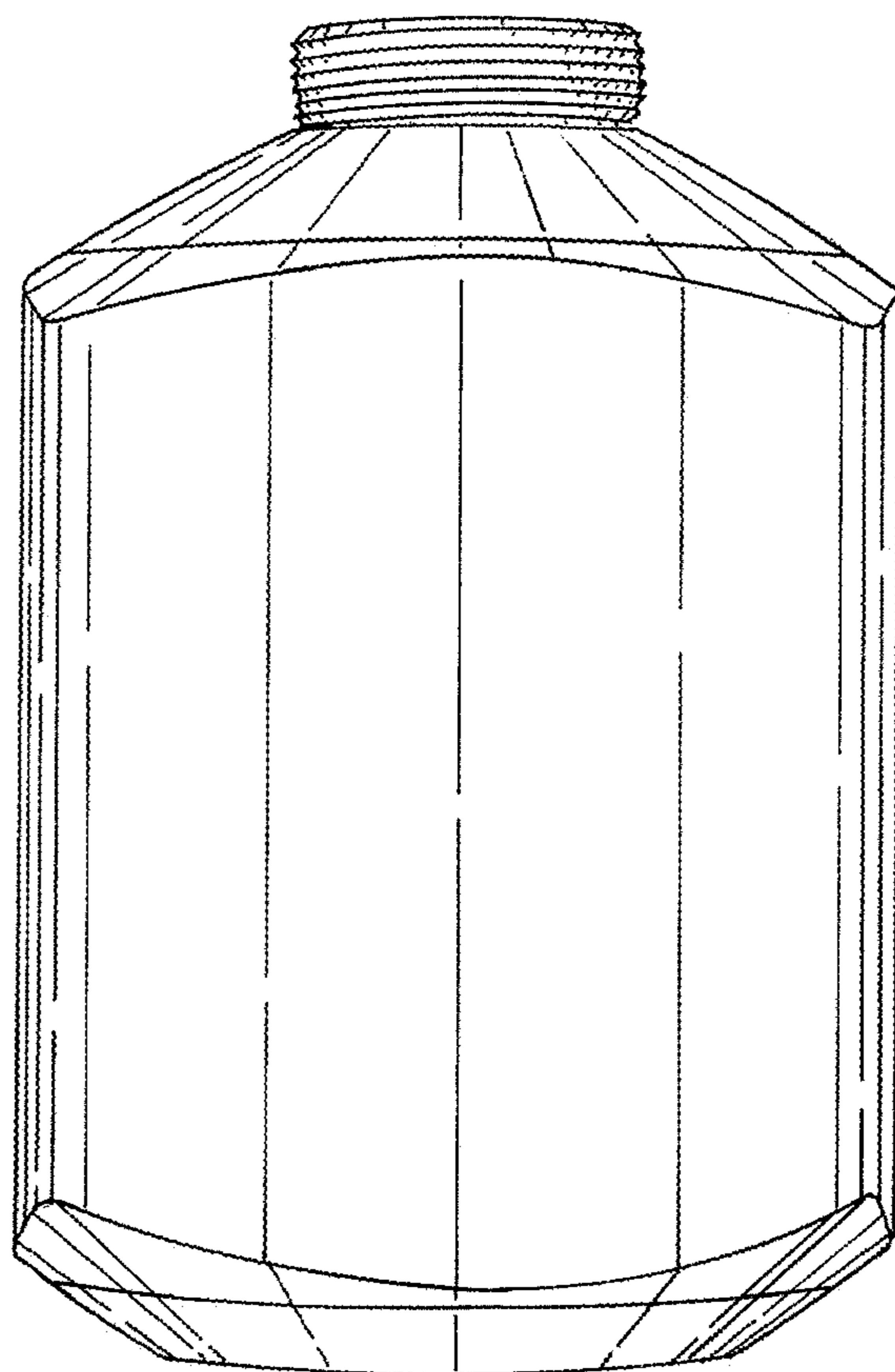


FIG. 4

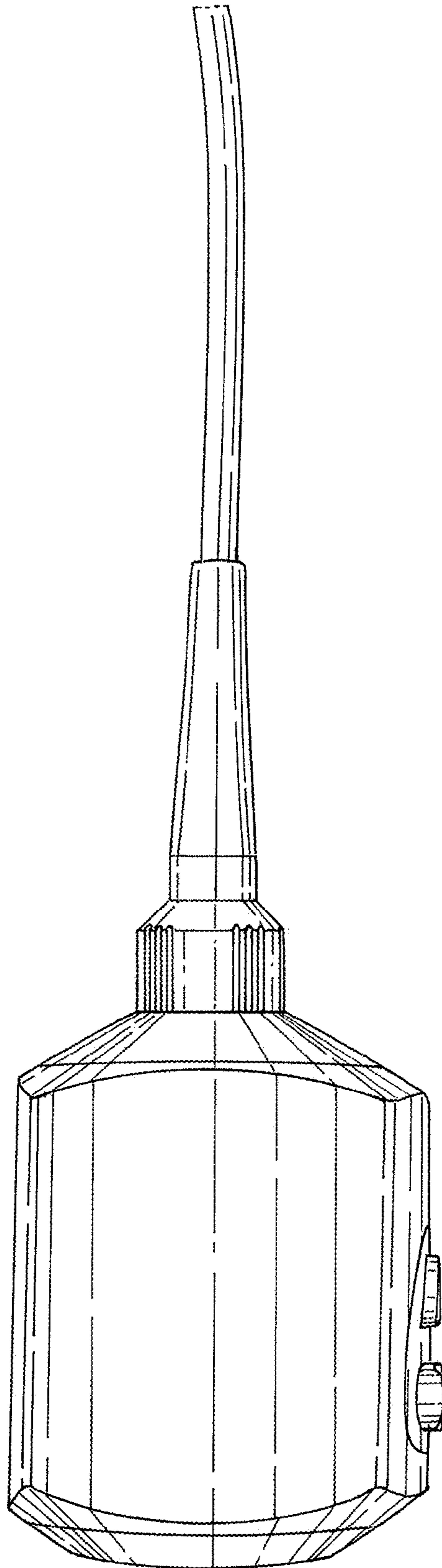


FIG. 5

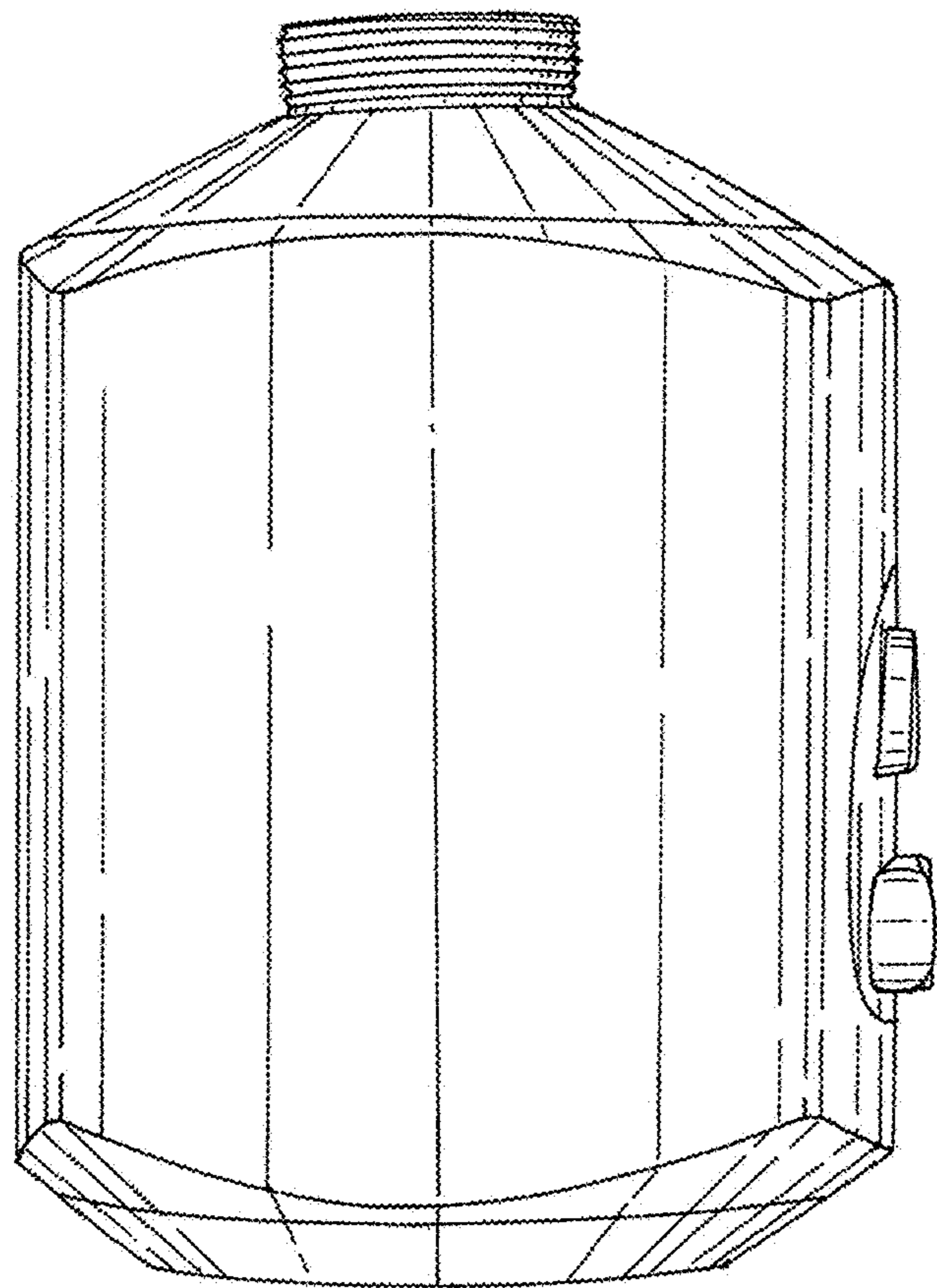


FIG. 6

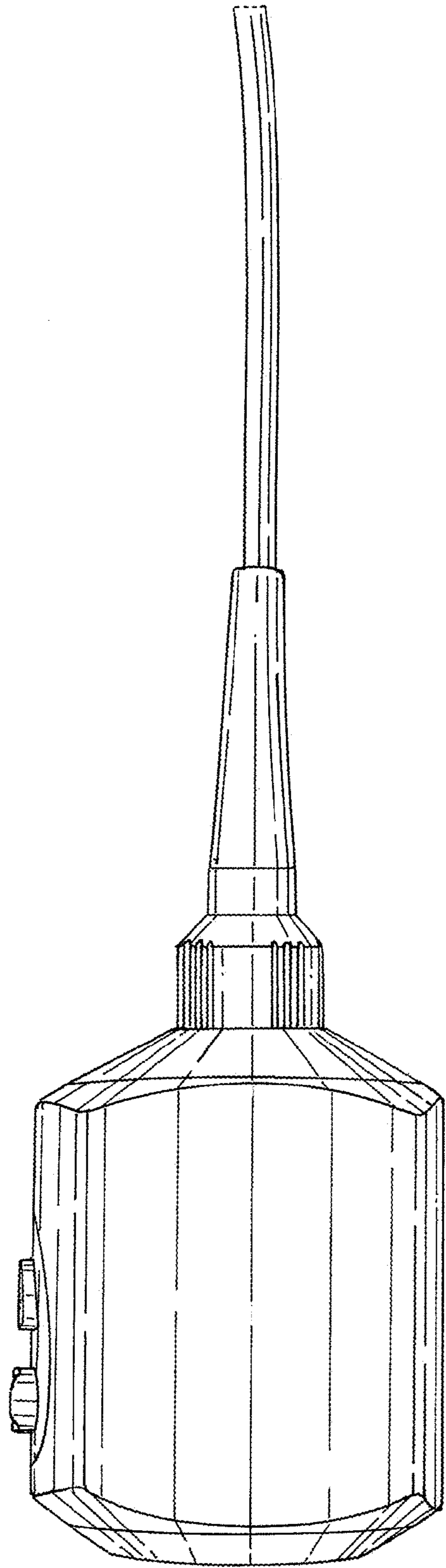


FIG. 7

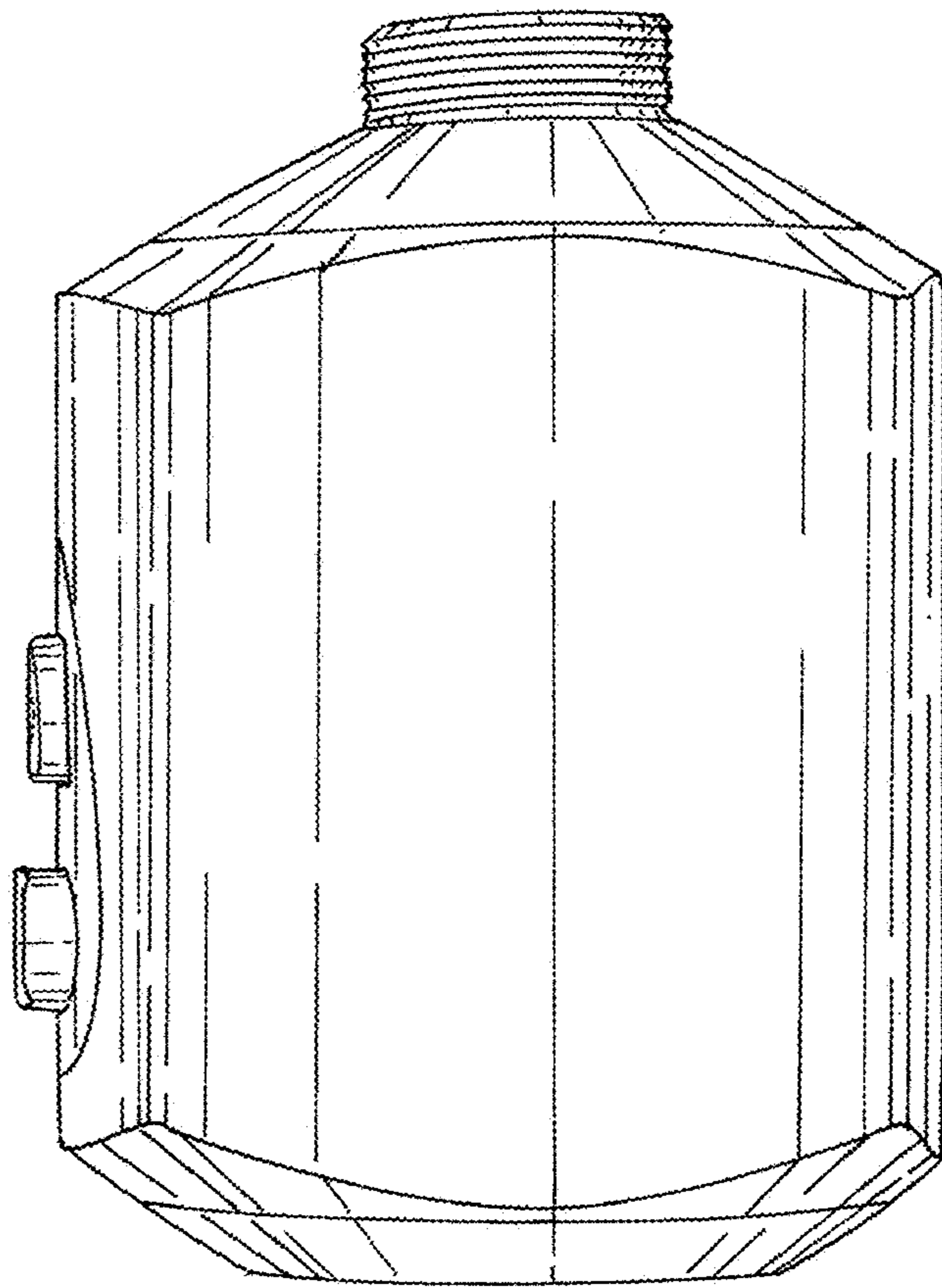


FIG. 8

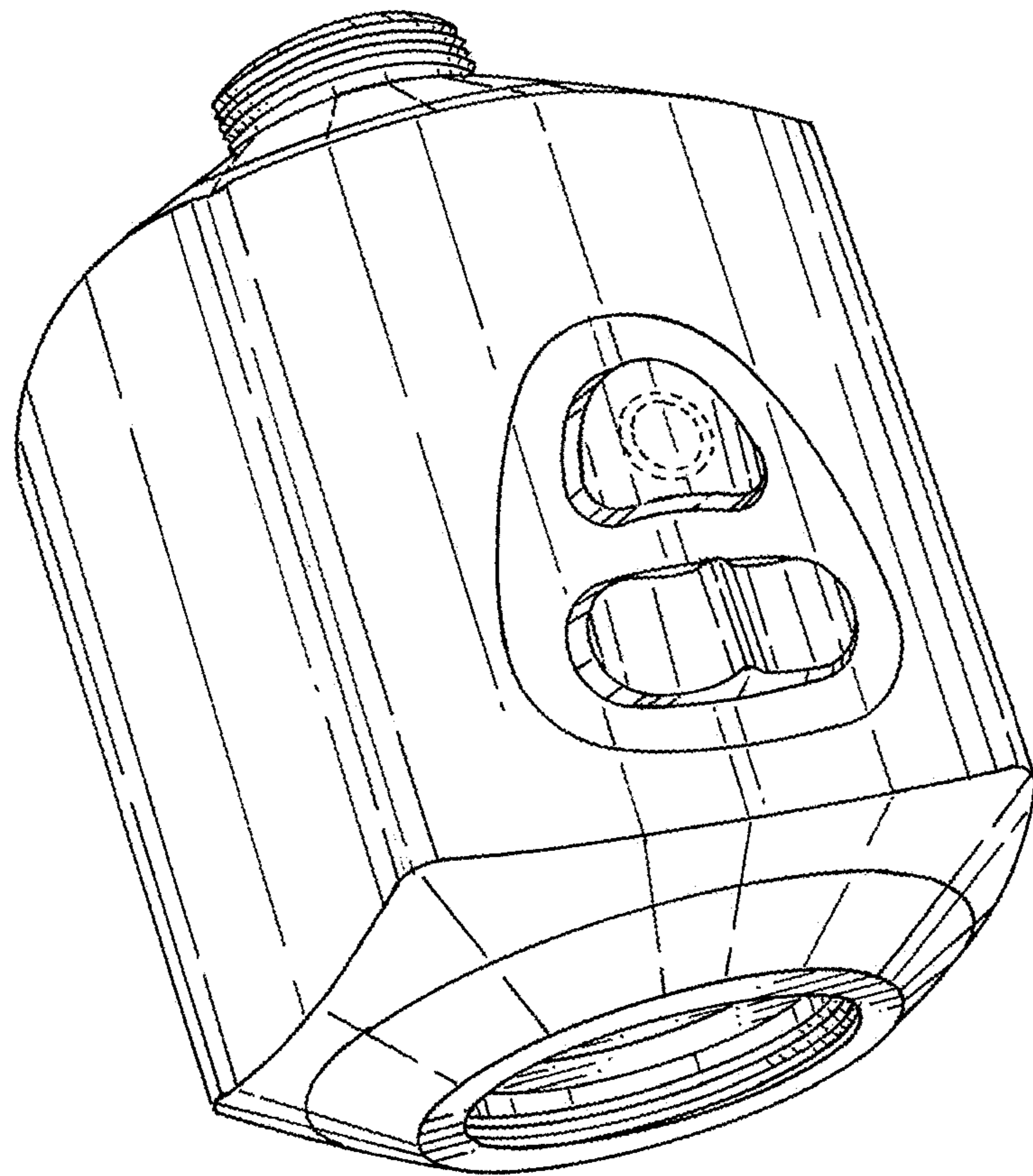


FIG. 9

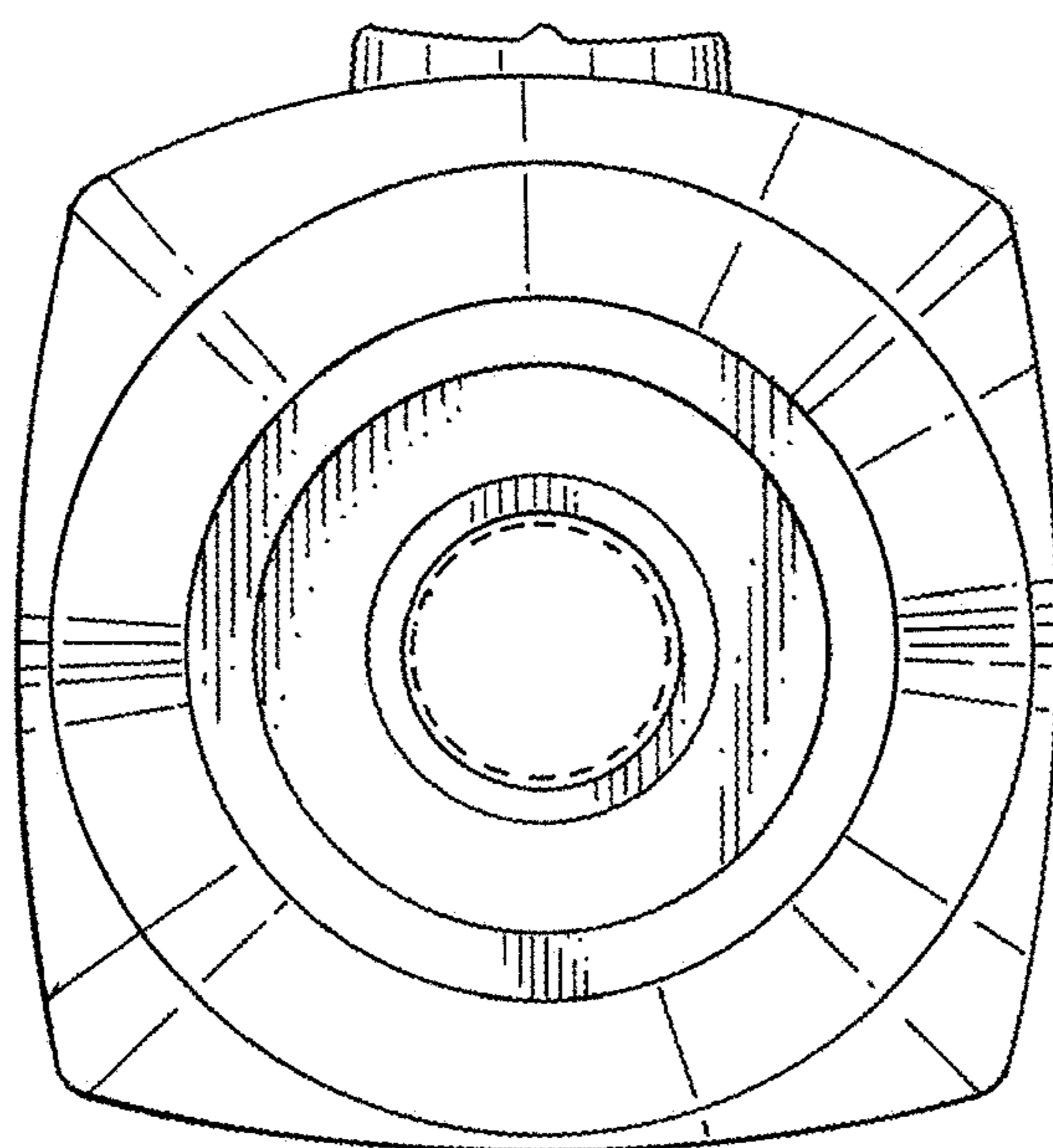


FIG. 10

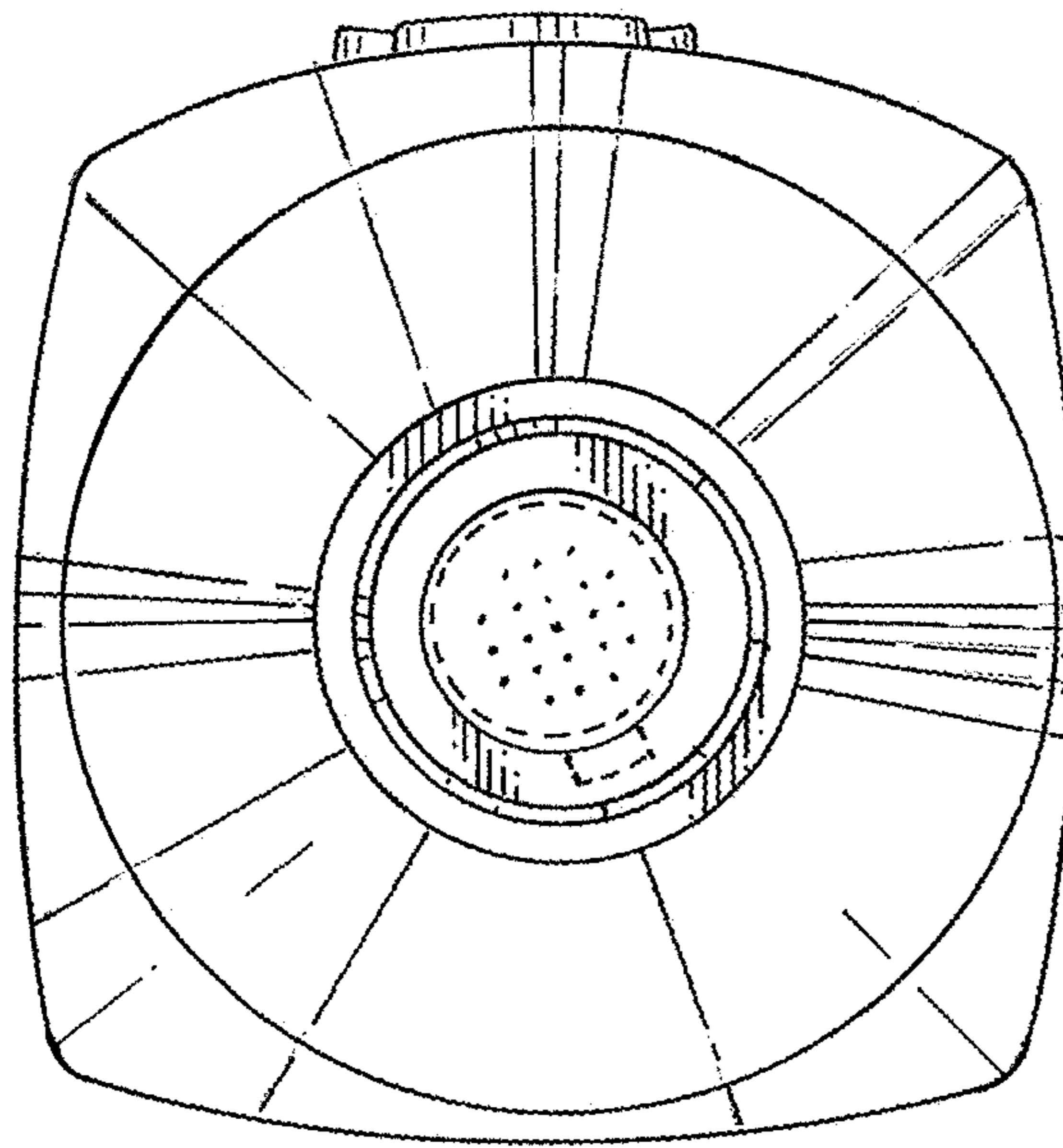


FIG. 11