



US00D687475S

(12) **United States Design Patent**
Oonuma et al.

(10) **Patent No.:** **US D687,475 S**

(45) **Date of Patent:** **** Aug. 6, 2013**

(54) **ELECTRON MICROSCOPE**

(75) Inventors: **Mitsuru Oonuma**, Tokyo (JP); **Akira Omachi**, Komae (JP); **Junichi Katane**, Naka (JP); **Mitsuo Akatsu**, Hitachinaka (JP); **Hiroyuki Komuro**, Hitachinaka (JP); **Tomoyasu Hirashima**, Yokohama (JP)

(73) Assignee: **Hitachi High-Technologies Corporation**, Tokyo (JP)

(**) Term: **14 Years**

(21) Appl. No.: **29/431,888**

(22) Filed: **Sep. 12, 2012**

(30) **Foreign Application Priority Data**

May 10, 2012 (JP) 2012-010805

(51) **LOC (9) Cl.** **16-06**

(52) **U.S. Cl.**
USPC **D16/131**

(58) **Field of Classification Search**
USPC D16/130, 131; 250/311, 440.11; 359/363, 359/368, 372, 378, 388, 389, 385, 390, 386, 359/801, 821, 824; D10/81
See application file for complete search history.

(56) **References Cited**

U.S. PATENT DOCUMENTS

3,297,284	A *	1/1967	Pellerin	248/550
D223,669	S *	5/1972	Nishino	D16/131
3,814,356	A *	6/1974	Coleman et al.	248/636
3,835,320	A *	9/1974	Helwig	250/311
4,523,094	A *	6/1985	Rossow	250/311
D303,267	S *	9/1989	Takahashi et al.	D16/131

D332,616	S *	1/1993	Hashimoto et al.	D16/131
5,350,921	A *	9/1994	Aoyama et al.	250/311
D381,031	S *	7/1997	Miyata et al.	D16/131
5,864,138	A *	1/1999	Miyata et al.	250/311
6,084,239	A *	7/2000	Miyata et al.	250/440.11
D623,211	S *	9/2010	Oonuma et al.	D16/131
D625,749	S *	10/2010	Oonuma et al.	D16/131
D626,579	S *	11/2010	Oonuma et al.	D16/131
D632,323	S *	2/2011	Oonuma et al.	D16/131
D633,537	S *	3/2011	Oonuma et al.	D16/131
D633,538	S *	3/2011	Oonuma et al.	D16/131
D635,167	S *	3/2011	Oonuma et al.	D16/131
D635,168	S *	3/2011	Oonuma et al.	D16/131
D636,005	S *	4/2011	Oonuma et al.	D16/131
D638,046	S *	5/2011	Noda et al.	D16/131
D644,258	S *	8/2011	Noda et al.	D16/131

* cited by examiner

Primary Examiner — Paula Greene

(74) *Attorney, Agent, or Firm* — Antonelli, Terry, Stout & Kraus, LLP.

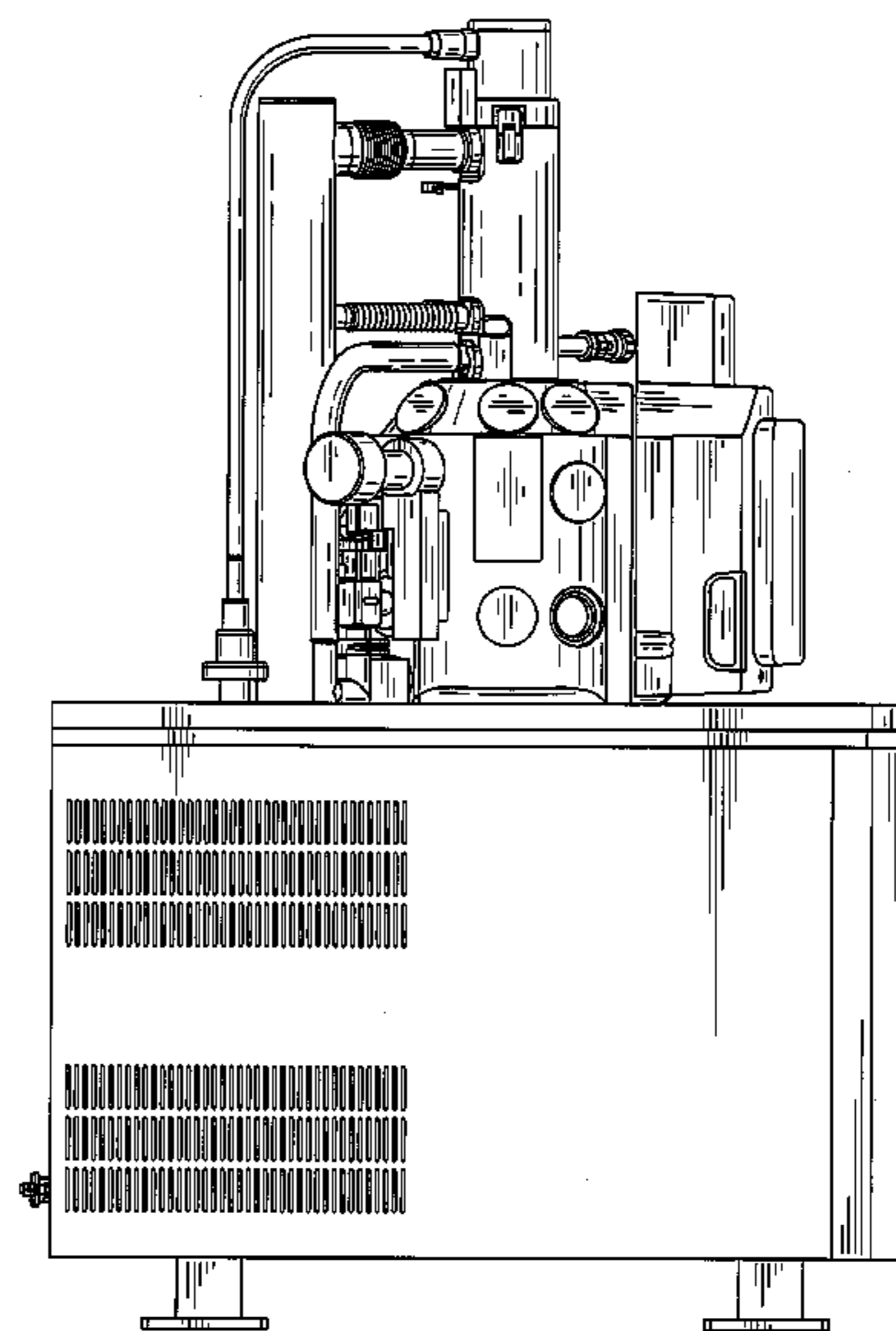
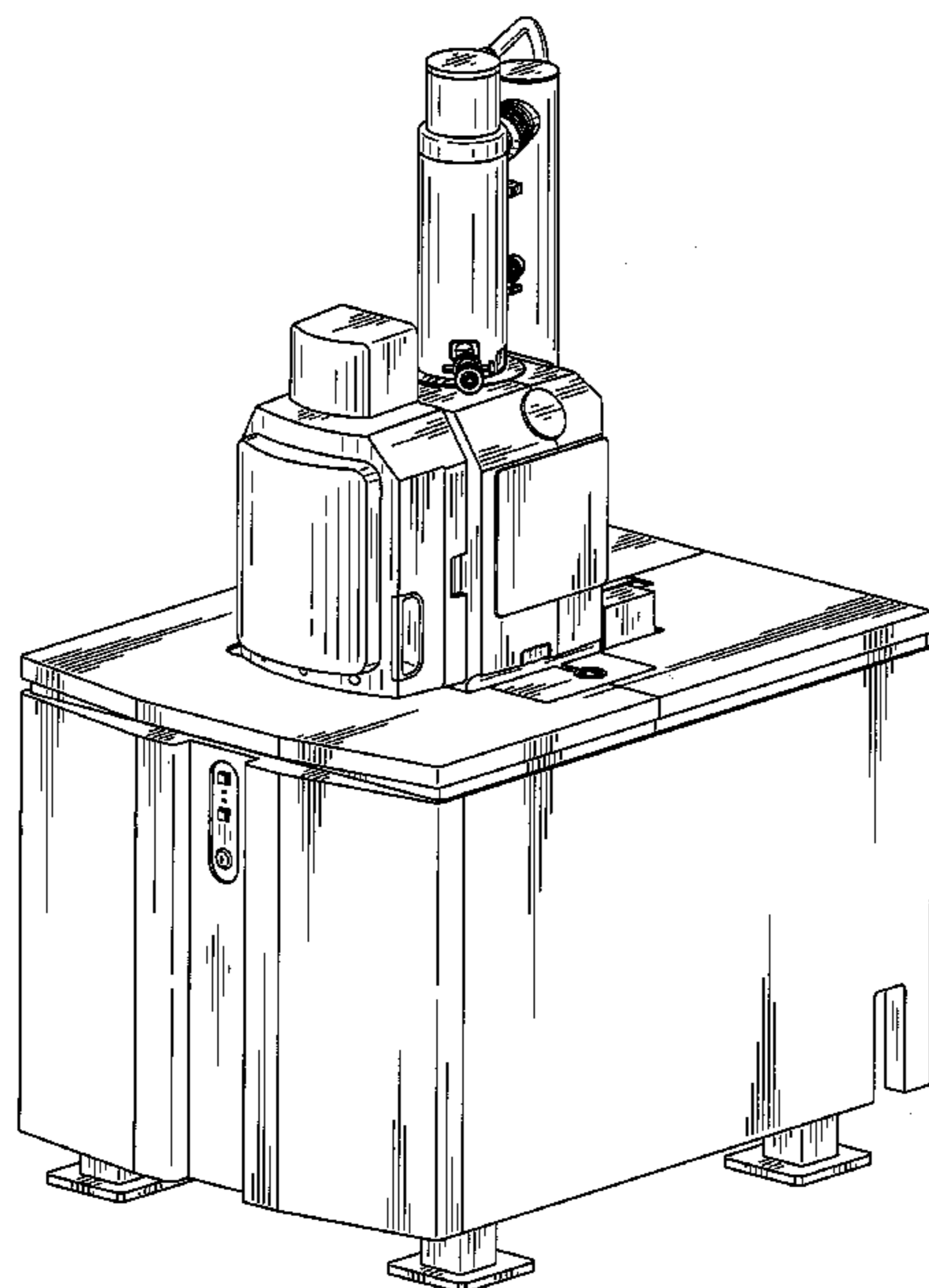
(57) **CLAIM**

We claim the ornamental design for an electron microscope, as shown and described.

DESCRIPTION

FIG. 1 is a front, top and right side perspective view of an electron microscope showing our new design; FIG. 2 is a front elevational view thereof; FIG. 3 is a rear elevational view thereof; FIG. 4 is a left side elevational view thereof; FIG. 5 is a right side elevational view thereof; FIG. 6 is a top plan view thereof; and, FIG. 7 is a bottom plan view thereof. The broken lines shown are for illustrative purpose and form no part of the claimed design.

1 Claim, 7 Drawing Sheets



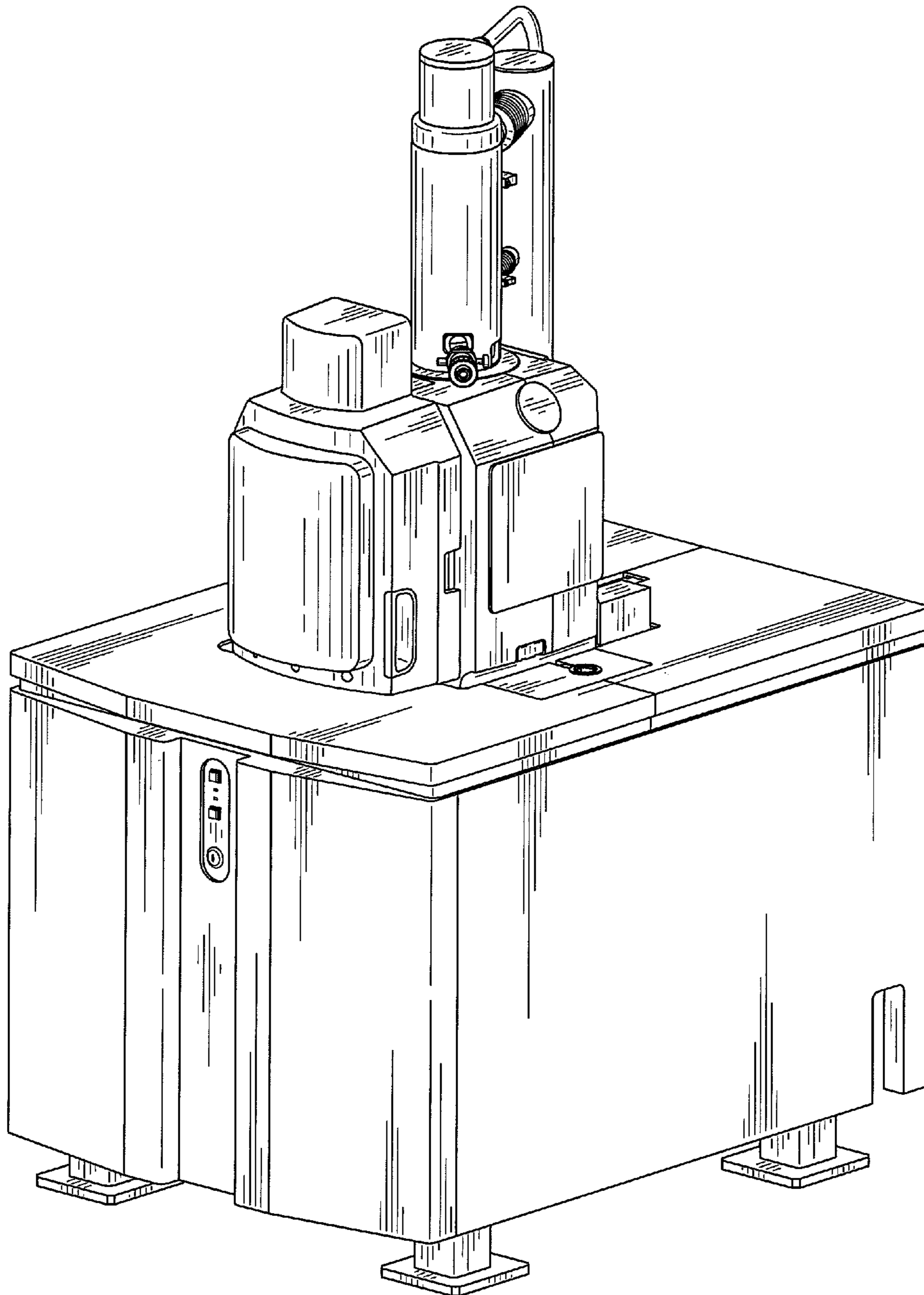


FIG. 1

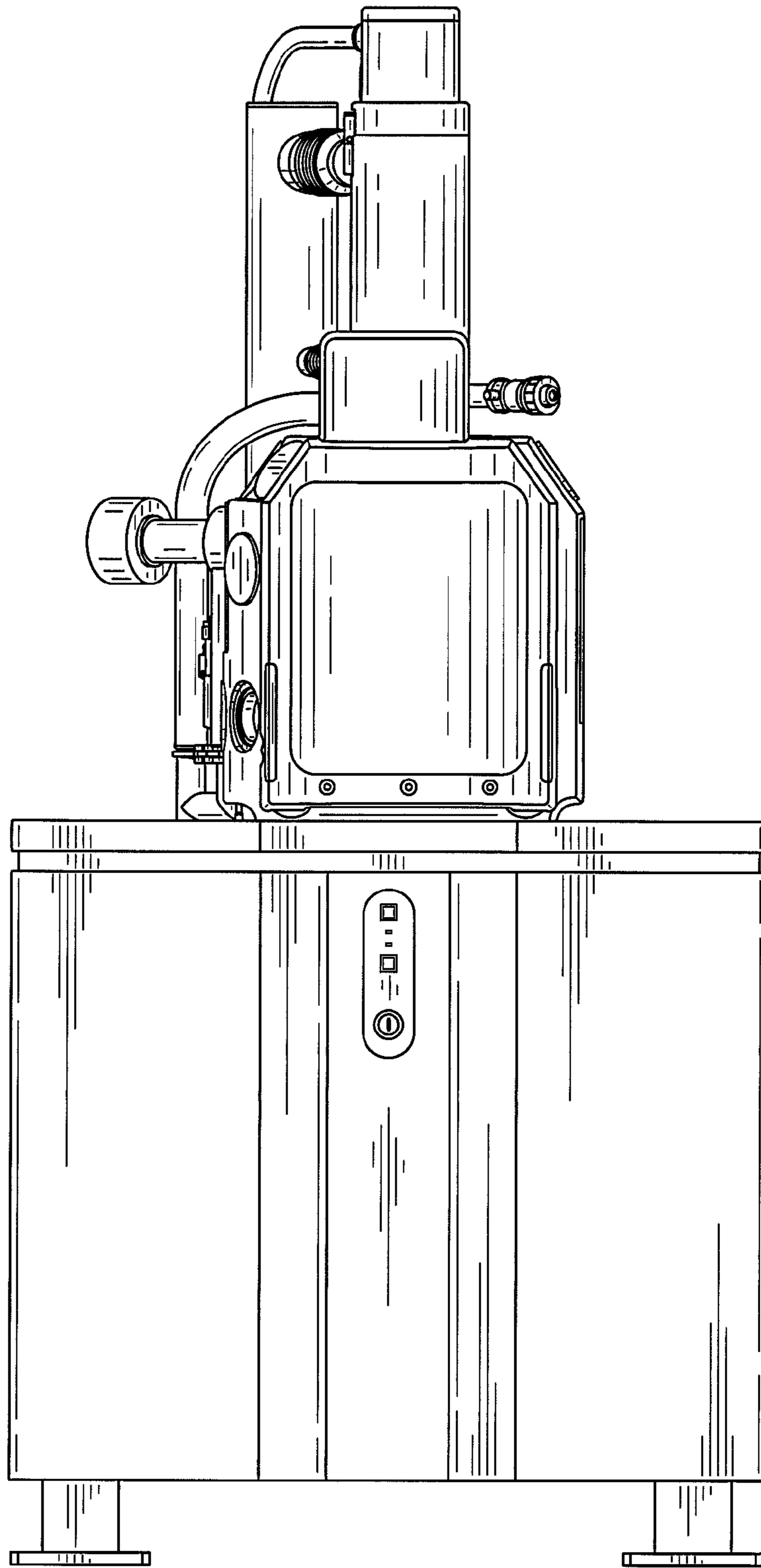


FIG. 2

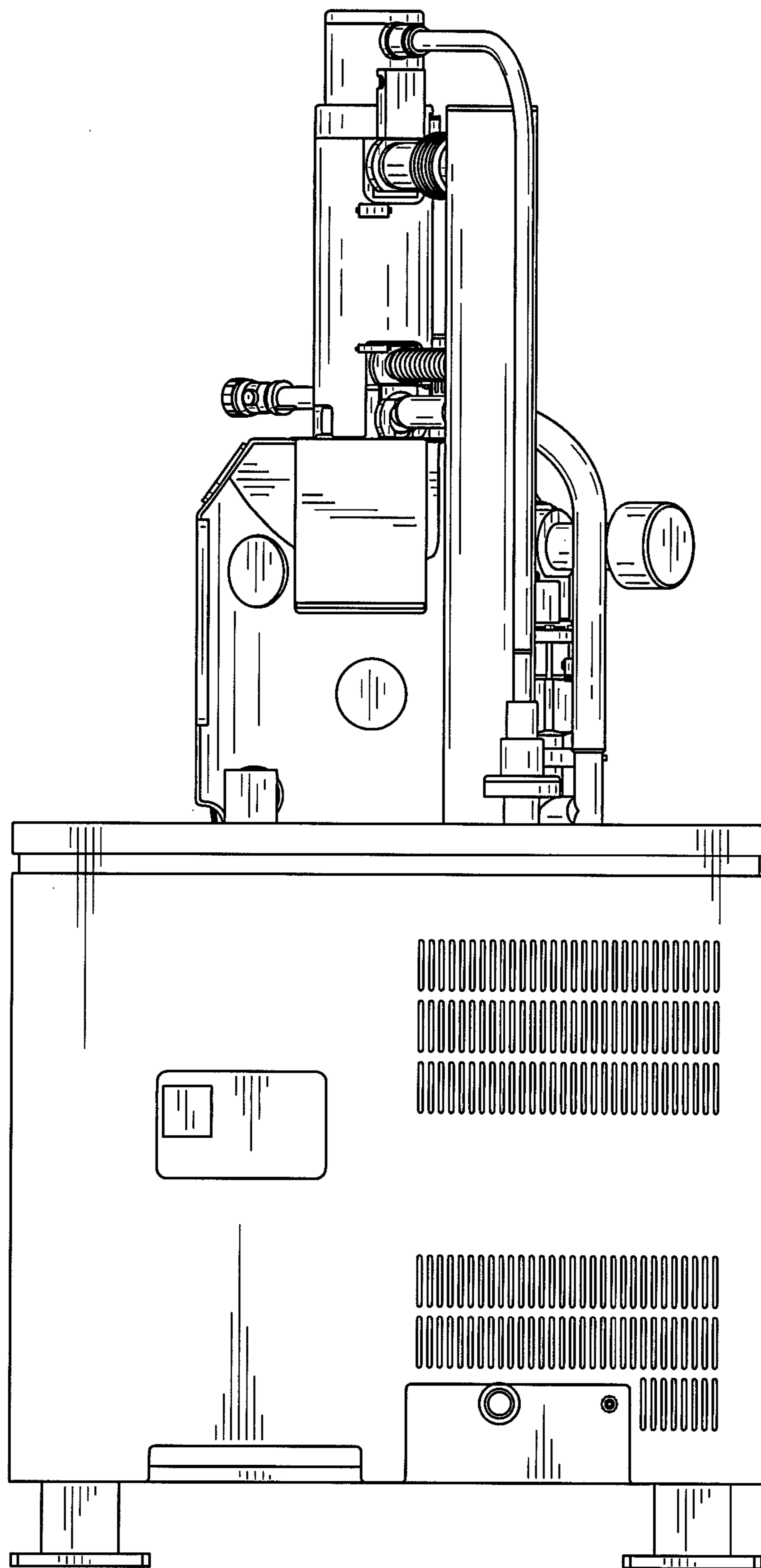


FIG. 3

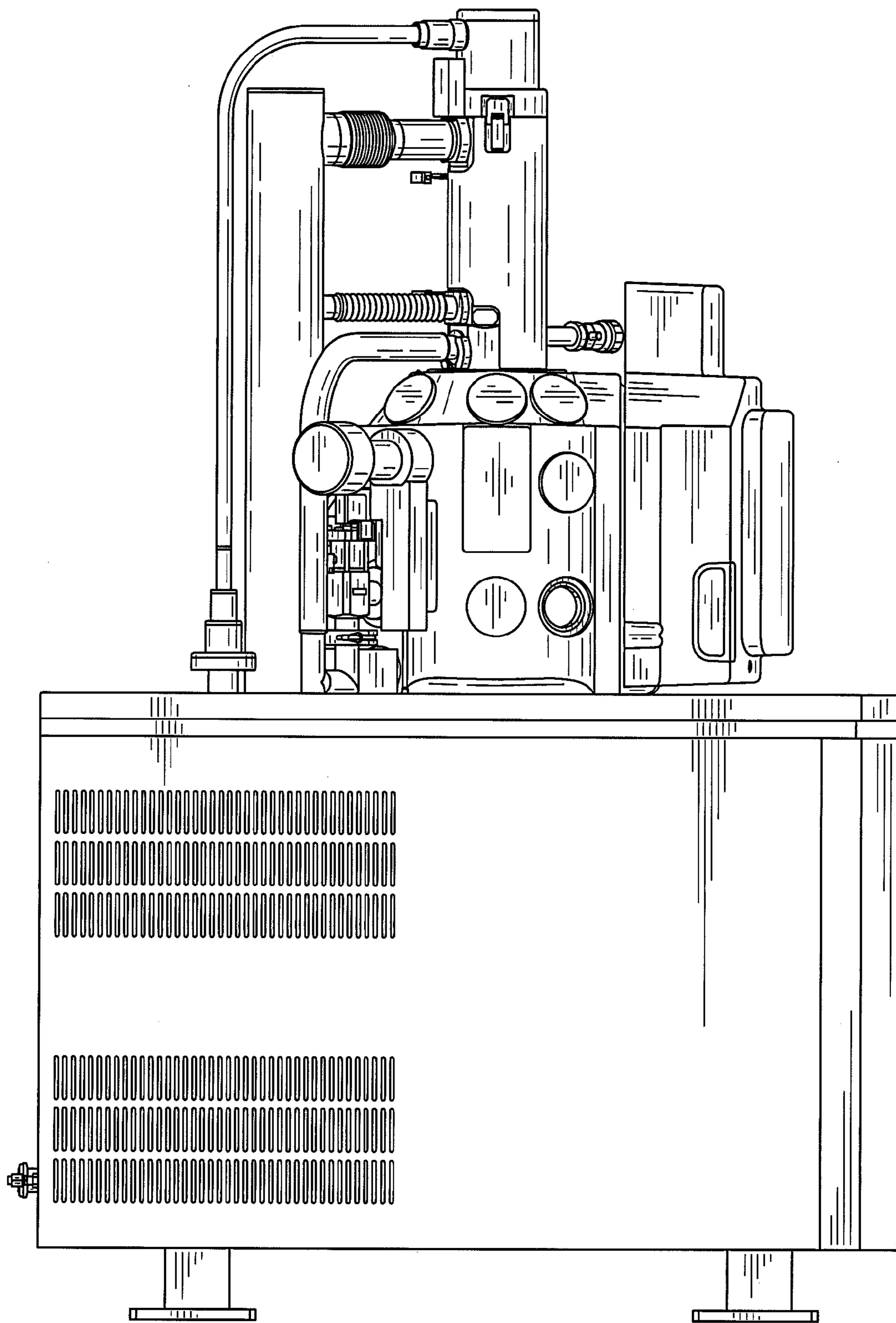


FIG. 4

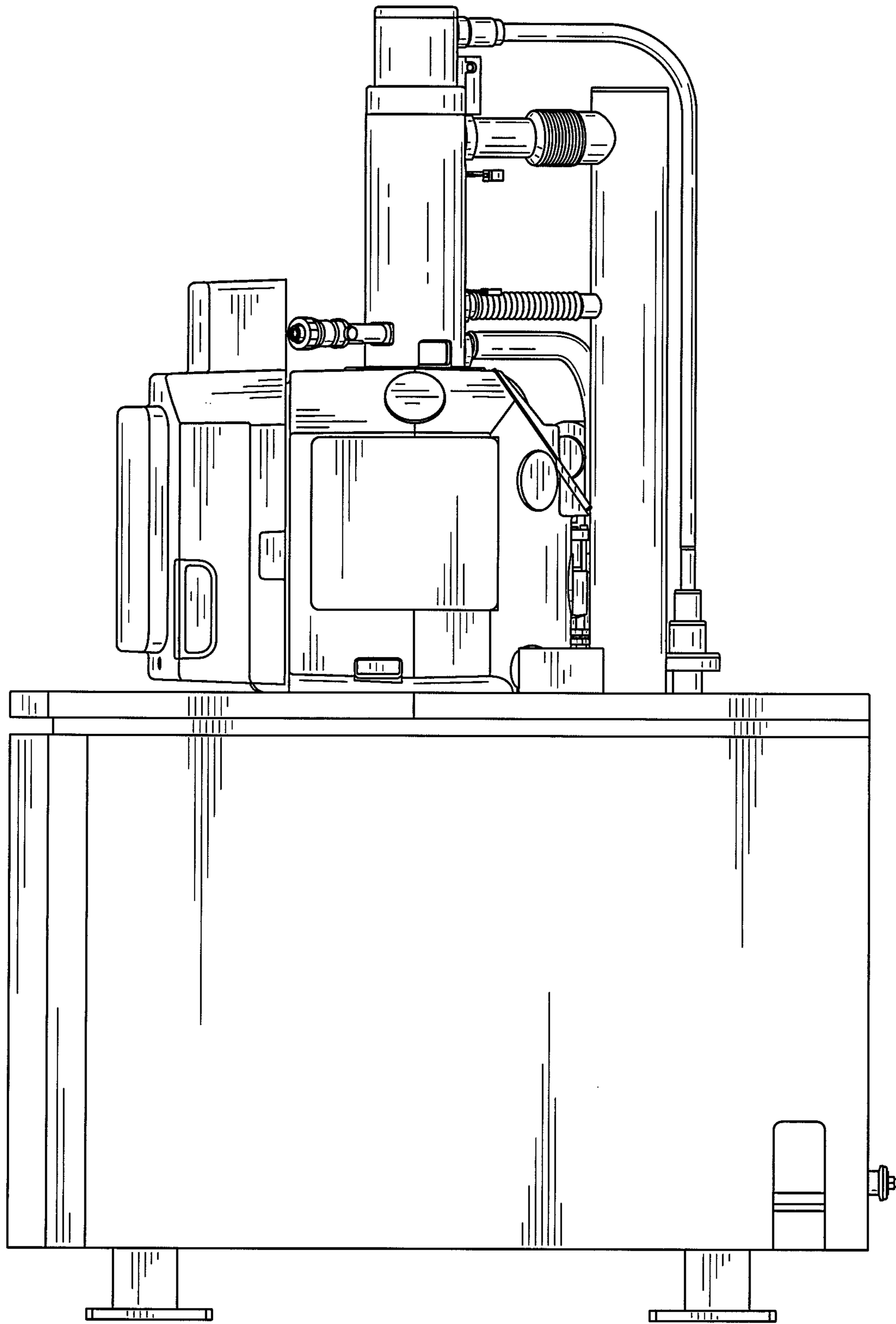


FIG. 5

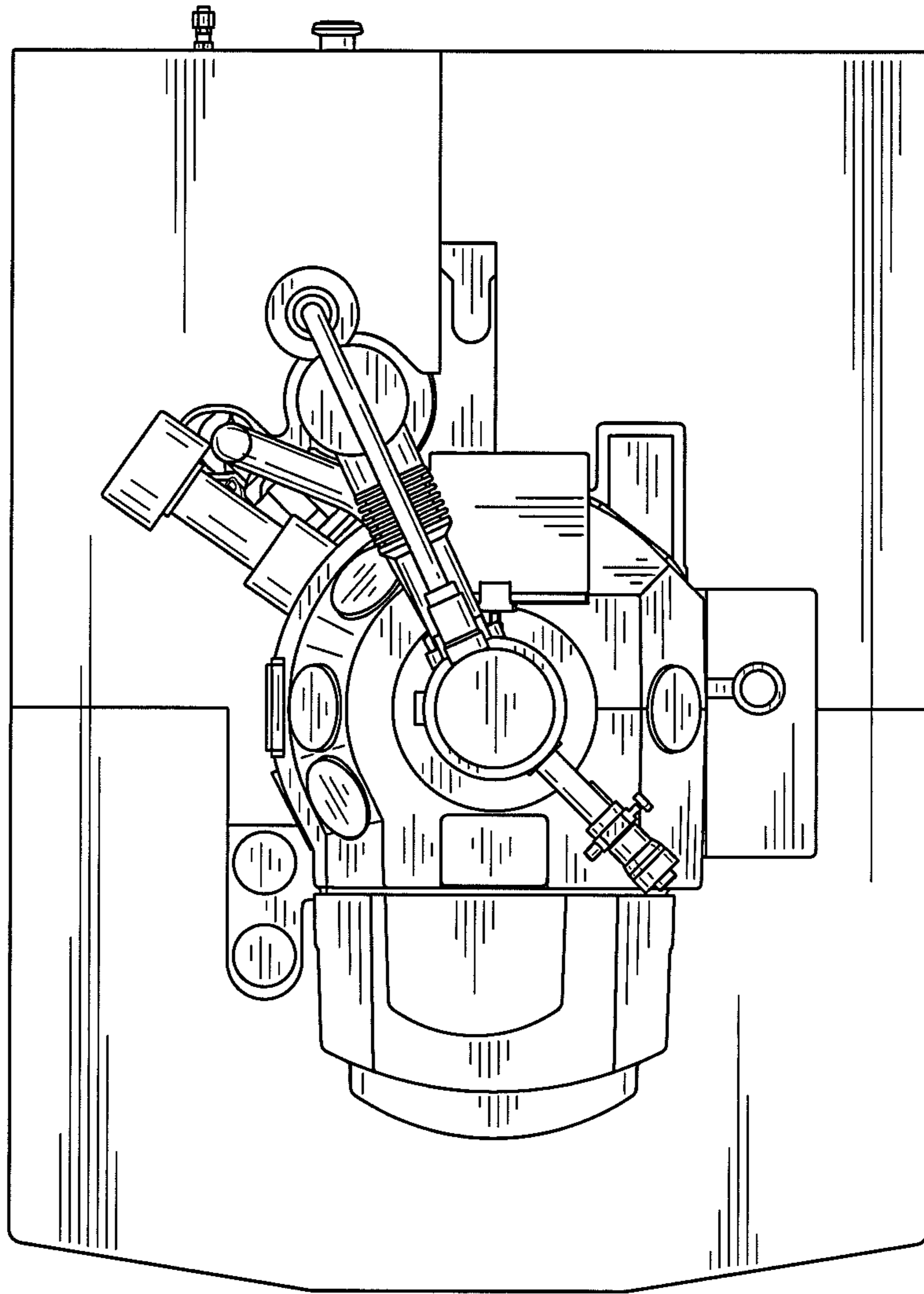


FIG. 6

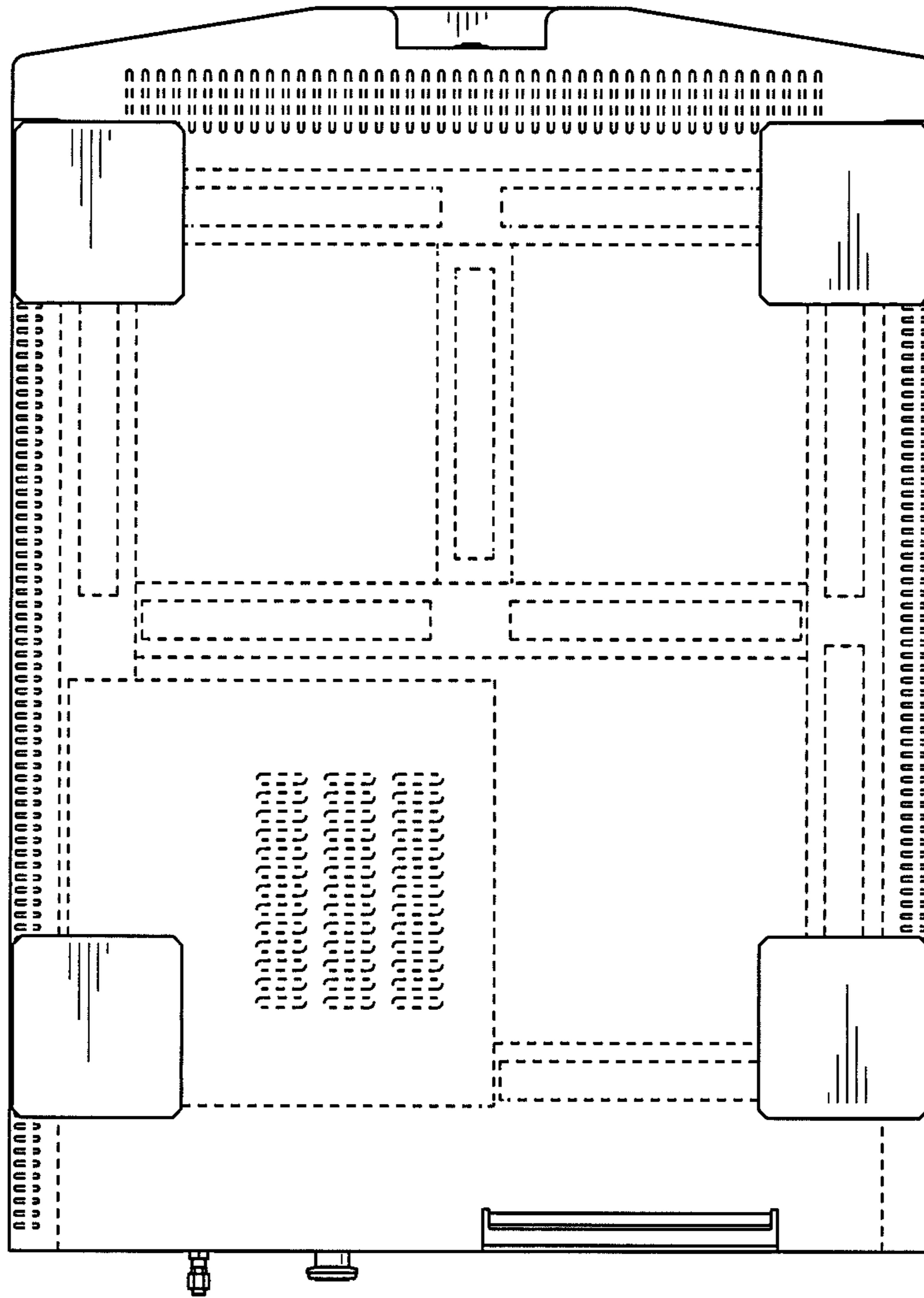


FIG. 7