



US00D687474S

(12) **United States Design Patent**  
**Bondeson et al.**

(10) **Patent No.:** **US D687,474 S**

(45) **Date of Patent:** **\*\* Aug. 6, 2013**

(54) **WALL MOUNTED ADHESIVE MELTER**

(56) **References Cited**

(71) Applicant: **Nordson Corporation**, Westlake, OH  
(US)

U.S. PATENT DOCUMENTS

2,025,509	A	12/1935	Hieber
3,818,930	A	6/1974	Crum et al.
3,876,105	A	4/1975	Kelling
4,245,759	A	1/1981	Baker et al.

(72) Inventors: **Benjamin J. Bondeson**, Suwanee, GA  
(US); **Mark A. Gould**, Gainesville, GA  
(US); **David R. Jeter**, Woodstock, GA  
(US); **Mark G. Reifenberger**, Norcross,  
GA (US); **John M. Riney**, Buford, GA  
(US); **Paula E. Ruse**, Lawrenceville, GA  
(US); **Robert J. Woodlief**, Suwanee, GA  
(US)

(Continued)

FOREIGN PATENT DOCUMENTS

DE	3214726	A1	10/1983
EP	0855228	A2	7/1998
WO	9810251	A1	3/1998

OTHER PUBLICATIONS

Nordson Corporation, Select Series™ Hot Melt Dispensing Guns  
and Hoses, Brochure, Apr. 2006.

(Continued)

(73) Assignee: **Nordson Corporation**, Westlake, OH  
(US)

*Primary Examiner* — Patricia Palasik

(\*\*) Term: **14 Years**

(74) *Attorney, Agent, or Firm* — Wood, Herron & Evans,  
L.L.P.

(21) Appl. No.: **29/443,662**

(57) **CLAIM**

The ornamental design for a wall mounted adhesive melter, as  
shown and described.

(22) Filed: **Jan. 21, 2013**

**DESCRIPTION**

**Related U.S. Application Data**

(62) Division of application No. 29/435,697, filed on Oct.  
26, 2012.

(51) **LOC (9) Cl.** ..... **15-09**

(52) **U.S. Cl.**  
USPC ..... **D15/144.2**

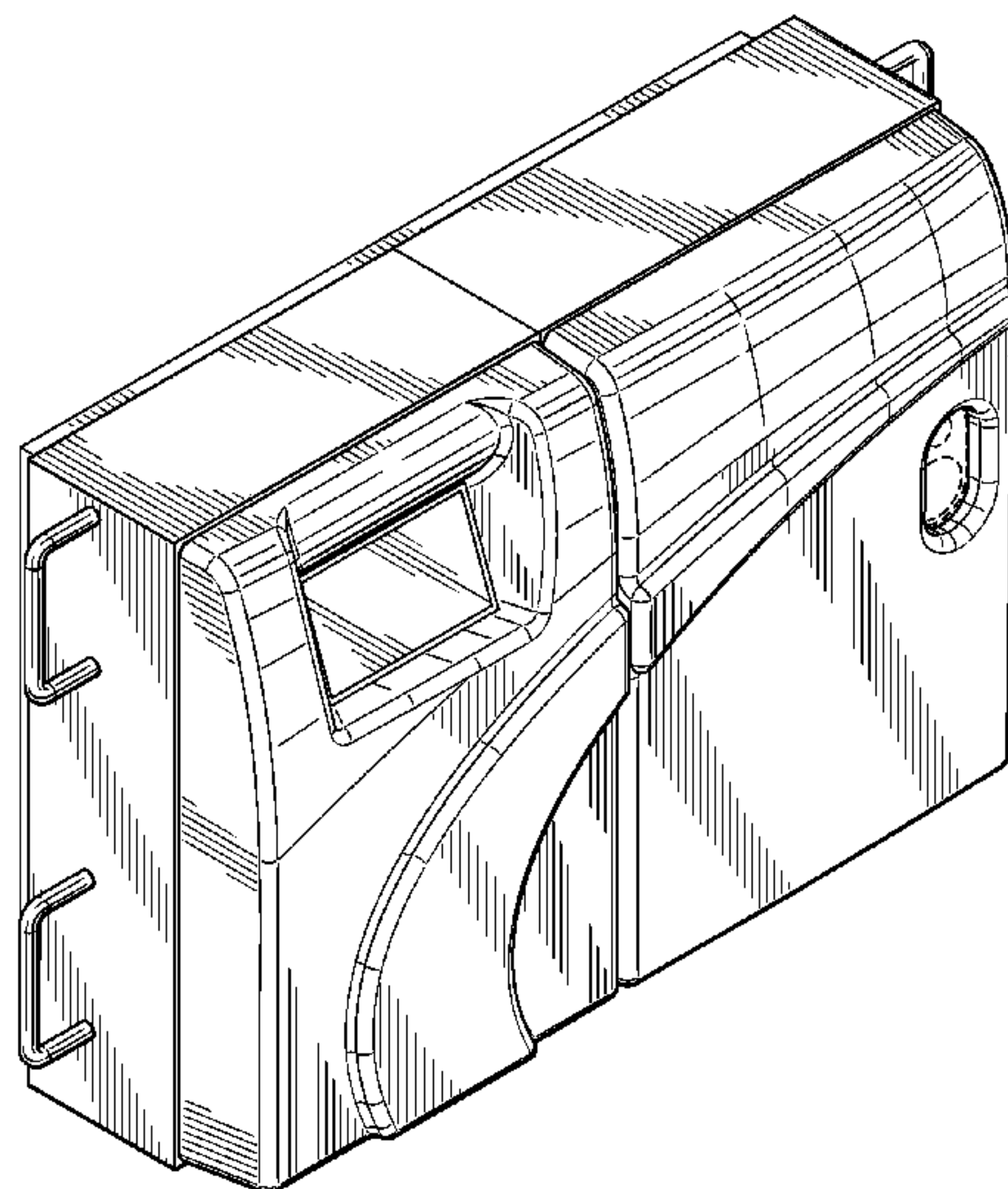
(58) **Field of Classification Search**

USPC ..... D15/144, 144.1, 144.2; D34/7; 219/421,  
219/426, 601; 222/146.5, 152, 156, 189.06,  
222/386, 389, 397, 405, 420-426, 430, 431;  
266/200; 432/161

See application file for complete search history.

FIG. 1 is a perspective view of the wall mounted adhesive  
melter according to the present invention.  
FIG. 2 is a front elevational view of the wall mounted adhe-  
sive melter according to the present invention.  
FIG. 3 is a left side elevational view of the wall mounted  
adhesive melter according to the present invention.  
FIG. 4 is a right side elevational view of the wall mounted  
adhesive melter according to the present invention.  
FIG. 5 is a top elevational view of the wall mounted adhesive  
melter according to the present invention.  
FIG. 6 is a bottom elevational view of the wall mounted  
adhesive melter according to the present invention; and,  
FIG. 7 is a rear elevational view of the wall mounted adhesive  
melter according to the present invention.  
The broken lines define unclaimed boundaries of the design.

**1 Claim, 3 Drawing Sheets**



(56)

References Cited

U.S. PATENT DOCUMENTS

4,334,637 A 6/1982 Baker et al.  
 4,456,151 A 6/1984 Lewellen  
 4,711,379 A 12/1987 Price  
 4,726,822 A 2/1988 Cates et al.  
 4,752,670 A 6/1988 Traub et al.  
 5,336,320 A 8/1994 Hogan et al.  
 5,375,738 A 12/1994 Walsh et al.  
 5,407,101 A 4/1995 Hubbard  
 D360,422 S 7/1995 Frates et al.  
 5,680,961 A 10/1997 Boccagno et al.  
 D388,800 S 1/1998 Zook et al.  
 5,706,982 A 1/1998 Siddiqui et al.  
 5,715,972 A 2/1998 Siddiqui  
 5,837,975 A 11/1998 Dillard et al.  
 5,913,455 A 6/1999 La et al.  
 5,934,520 A 8/1999 Byerly et al.  
 6,049,658 A 4/2000 Schave et al.  
 D425,530 S 5/2000 Lafitte  
 6,056,155 A 5/2000 Byerly et al.  
 6,175,101 B1 1/2001 Miller et al.  
 6,499,629 B1 12/2002 Colangelo et al.  
 6,533,187 B2 3/2003 May  
 D488,177 S 4/2004 Dittmann et al.

D489,741 S 5/2004 Calco et al.  
 D500,063 S 12/2004 Jeter et al.  
 7,025,081 B2 4/2006 Colangelo et al.  
 D552,641 S \* 10/2007 Razquin Murgui ..... D15/144  
 D552,716 S 10/2007 Chastine et al.  
 D556,798 S 12/2007 Franco  
 D562,368 S \* 2/2008 Byerly et al. .... D15/144  
 7,626,143 B2 12/2009 Miller  
 D611,515 S 3/2010 Chastine et al.  
 D647,380 S 10/2011 Bondeson et al.  
 8,061,918 B2 11/2011 Skalitzky et al.  
 D658,954 S 5/2012 Bondeson et al.  
 8,210,398 B2 7/2012 Bondeson et al.  
 D667,709 S 9/2012 Bondeson et al.  
 2001/0009752 A1 7/2001 Reifenberger et al.  
 2002/0109019 A1 8/2002 May  
 2009/0095730 A1 \* 4/2009 Ganzer et al. .... 219/421  
 2009/0294014 A1 12/2009 Sennrich

OTHER PUBLICATIONS

Nordson Corporation, MiniBlue™ Hot Melt Dispensing Guns, Brochure, 2003.  
 Nordson Corporation, MiniBlue™ II Hot Melt Dispensing Applicators, Brochure, 2010.

\* cited by examiner

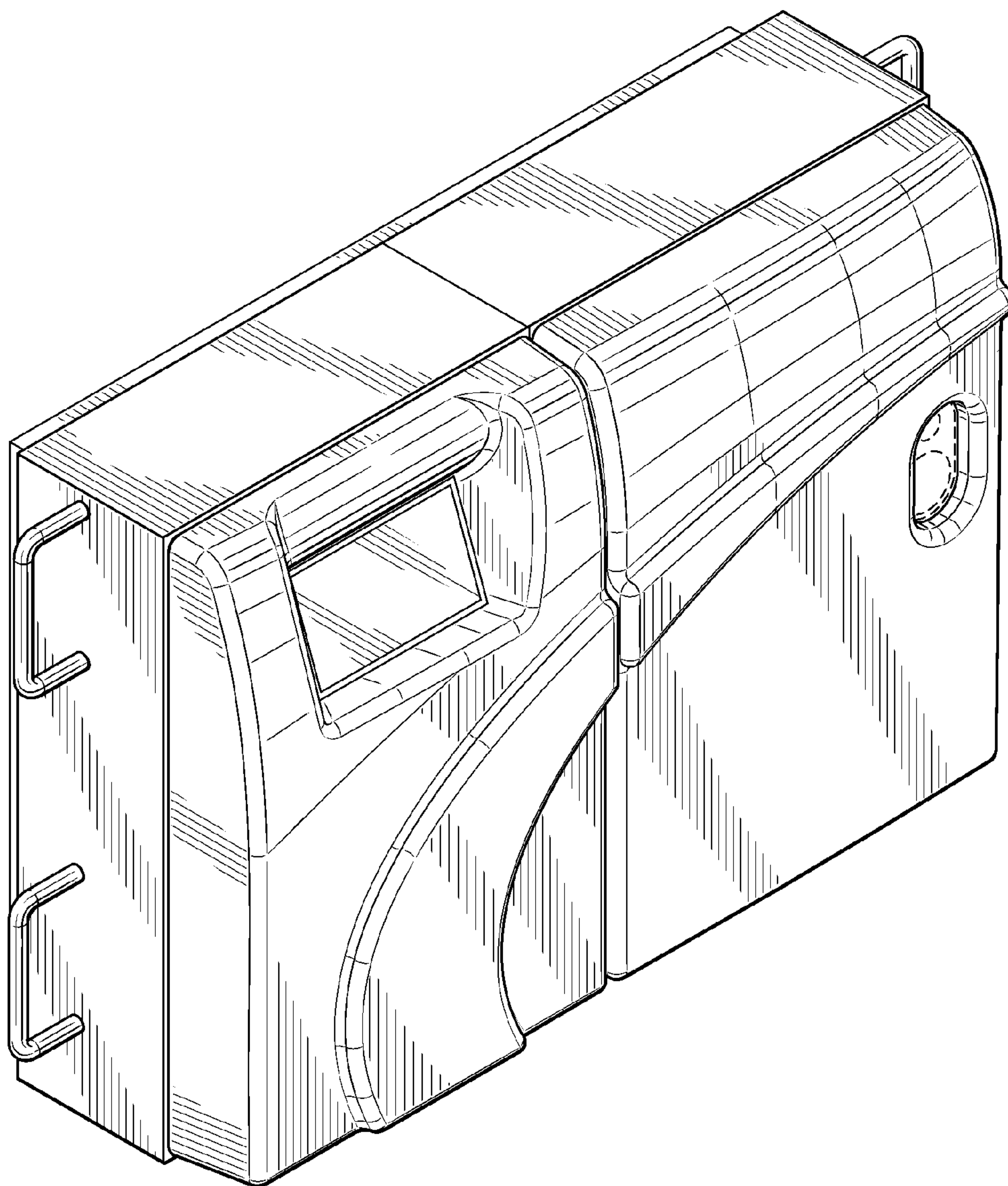


FIG. 1



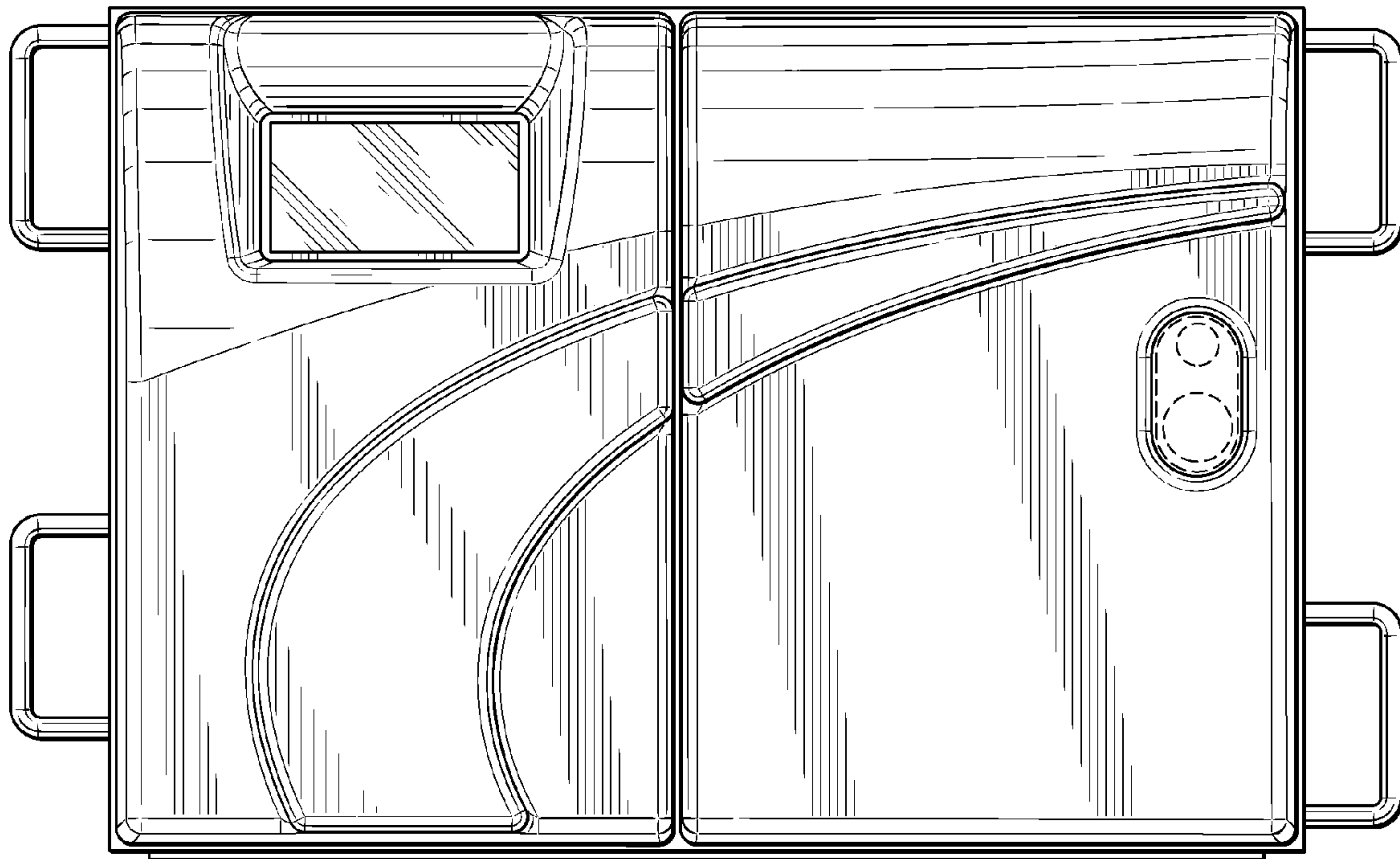


FIG. 2

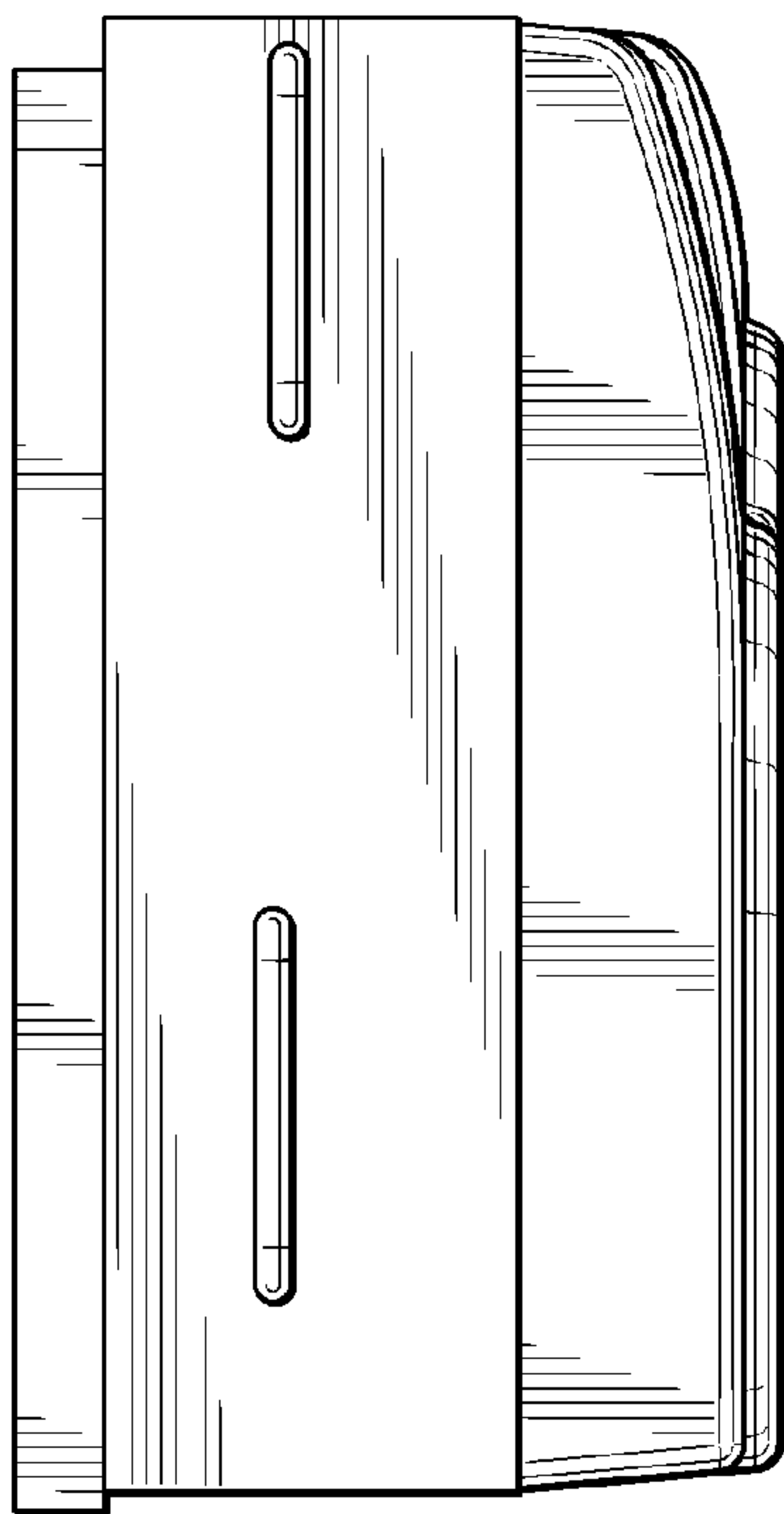


FIG. 3

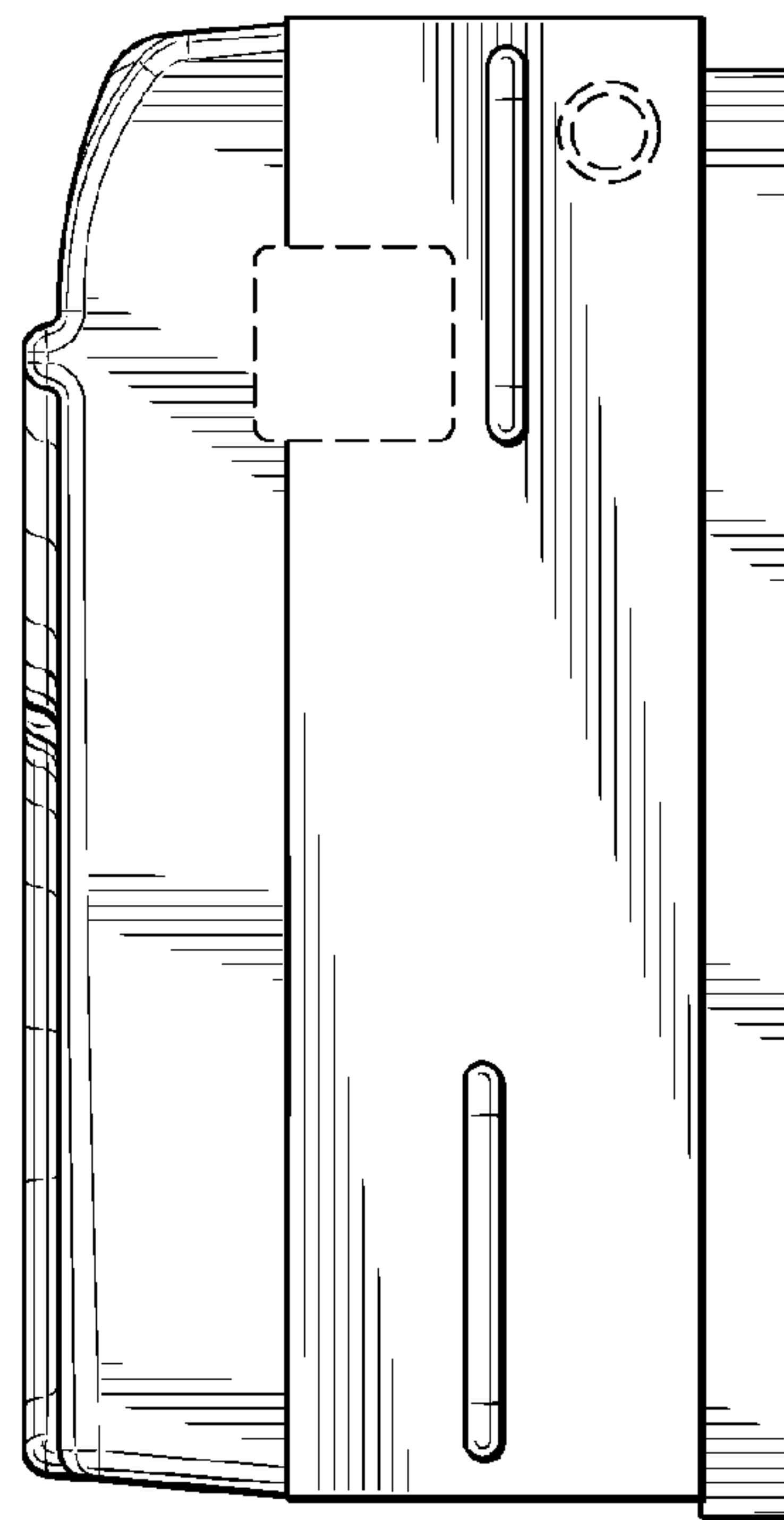


FIG. 4

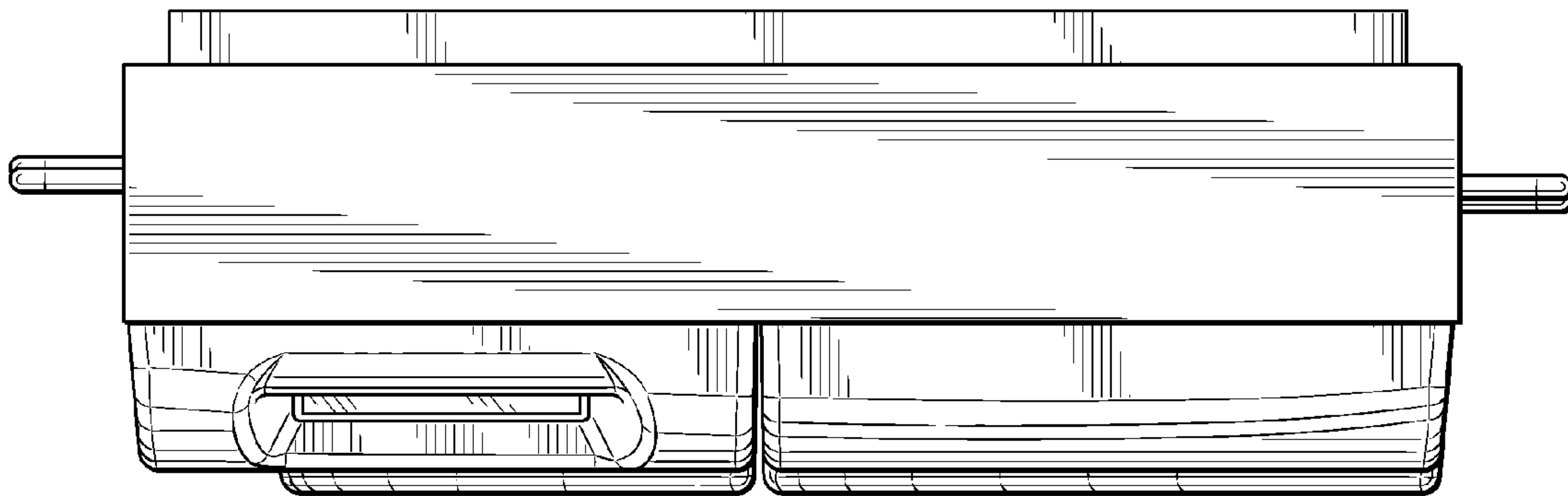


FIG. 5

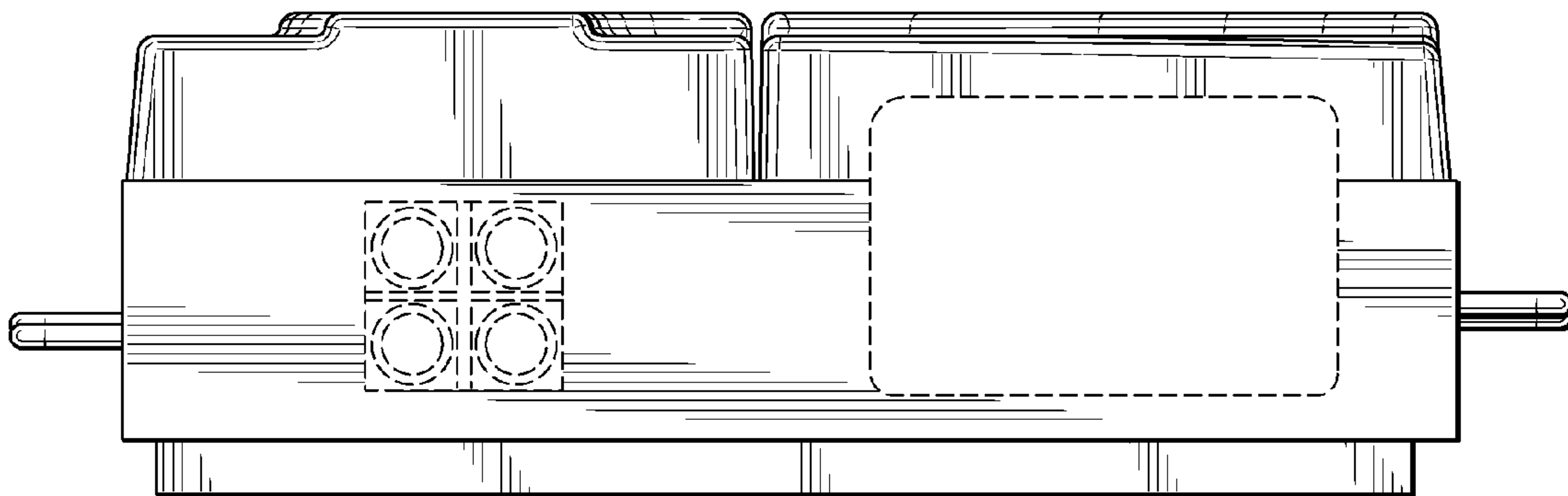


FIG. 6

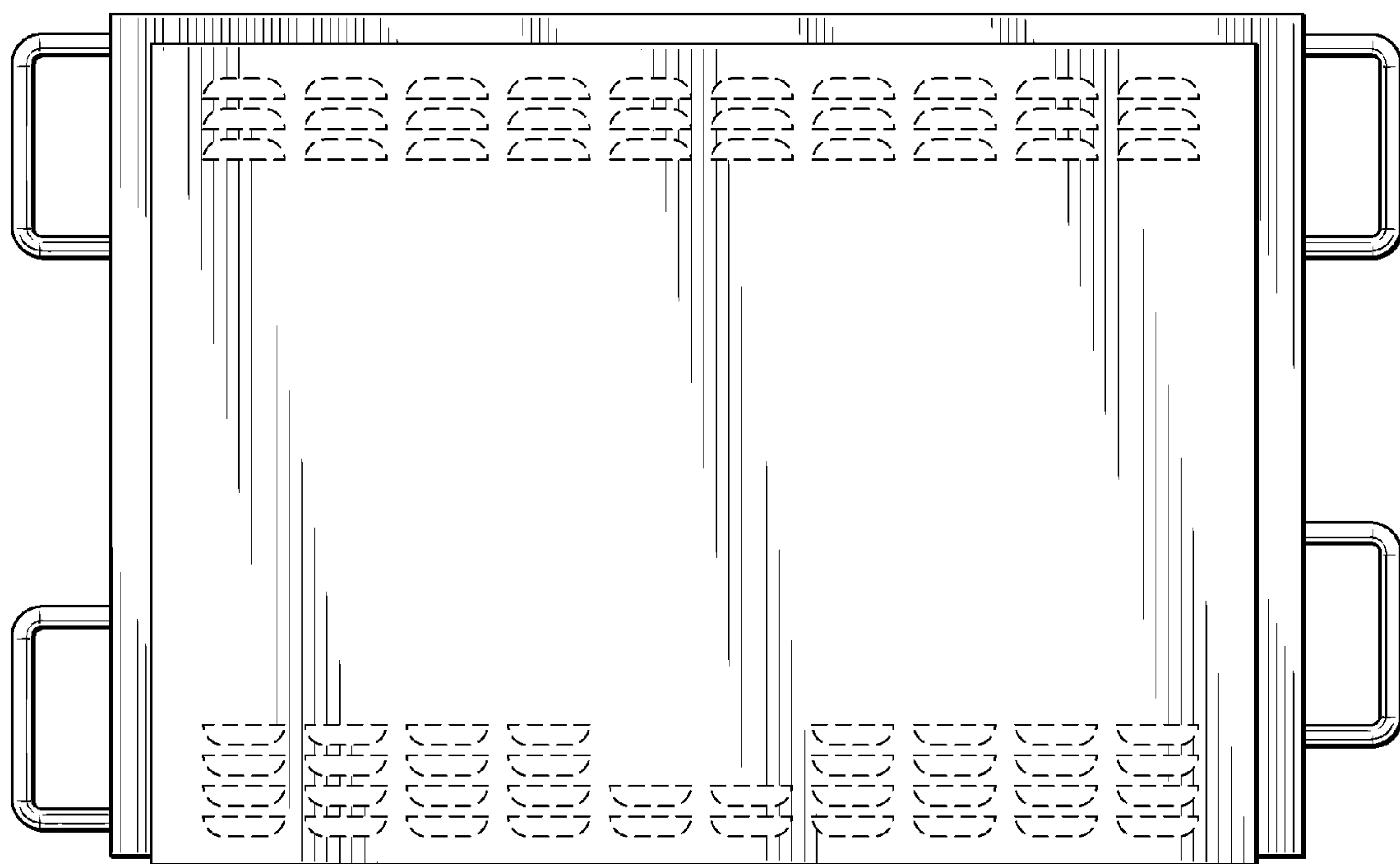


FIG. 7