



US00D687470S

(12) **United States Design Patent**
Gerardus de Gier

(10) **Patent No.:** **US D687,470 S**

(45) **Date of Patent:** **** Aug. 6, 2013**

(54) **SCRAP AND DEMOLITION SHEAR**

(75) **Inventor:** **Gertrudis Maria Gerardus de Gier,**
Kerkdriel (NL)

(73) **Assignee:** **Demolition and Recycling Equipment**
B.V. (NL)

(**) **Term:** **14 Years**

(21) **Appl. No.:** **29/400,860**

(22) **Filed:** **Sep. 1, 2011**

(51) **LOC (9) Cl.** **15-09**

(52) **U.S. Cl.**
USPC **D15/123**

(58) **Field of Classification Search**
USPC D15/123, 138, 139; 30/134, 228,
30/349; 72/144; 241/101.7

See application file for complete search history.

(56) **References Cited**

U.S. PATENT DOCUMENTS

4,519,135	A *	5/1985	LaBounty	30/134
4,897,921	A *	2/1990	Ramun	30/134
5,127,567	A *	7/1992	LaBounty et al.	225/96.5
5,146,683	A *	9/1992	Morikawa et al.	30/134
5,230,151	A *	7/1993	Kunzman et al.	30/134
5,715,603	A *	2/1998	Dorguin	30/134
5,992,023	A *	11/1999	Sederberg et al.	30/134
6,061,911	A *	5/2000	LaBounty et al.	30/134
6,119,970	A *	9/2000	LaBounty et al.	241/101.73
6,926,217	B1 *	8/2005	LaBounty et al.	241/266
7,216,575	B2 *	5/2007	Alseth et al.	83/609

7,284,718	B2 *	10/2007	Christenson	241/101.73
7,487,930	B2 *	2/2009	Sederberg et al.	241/101.73
D602,509	S *	10/2009	van Gemert	D15/138
D622,297	S *	8/2010	van Gemert	D15/138
2012/0255181	A1 *	10/2012	Johnson et al.	30/194

* cited by examiner

Primary Examiner — Patricia Palasik

(74) *Attorney, Agent, or Firm* — Miller & Martin PLLC

(57) **CLAIM**

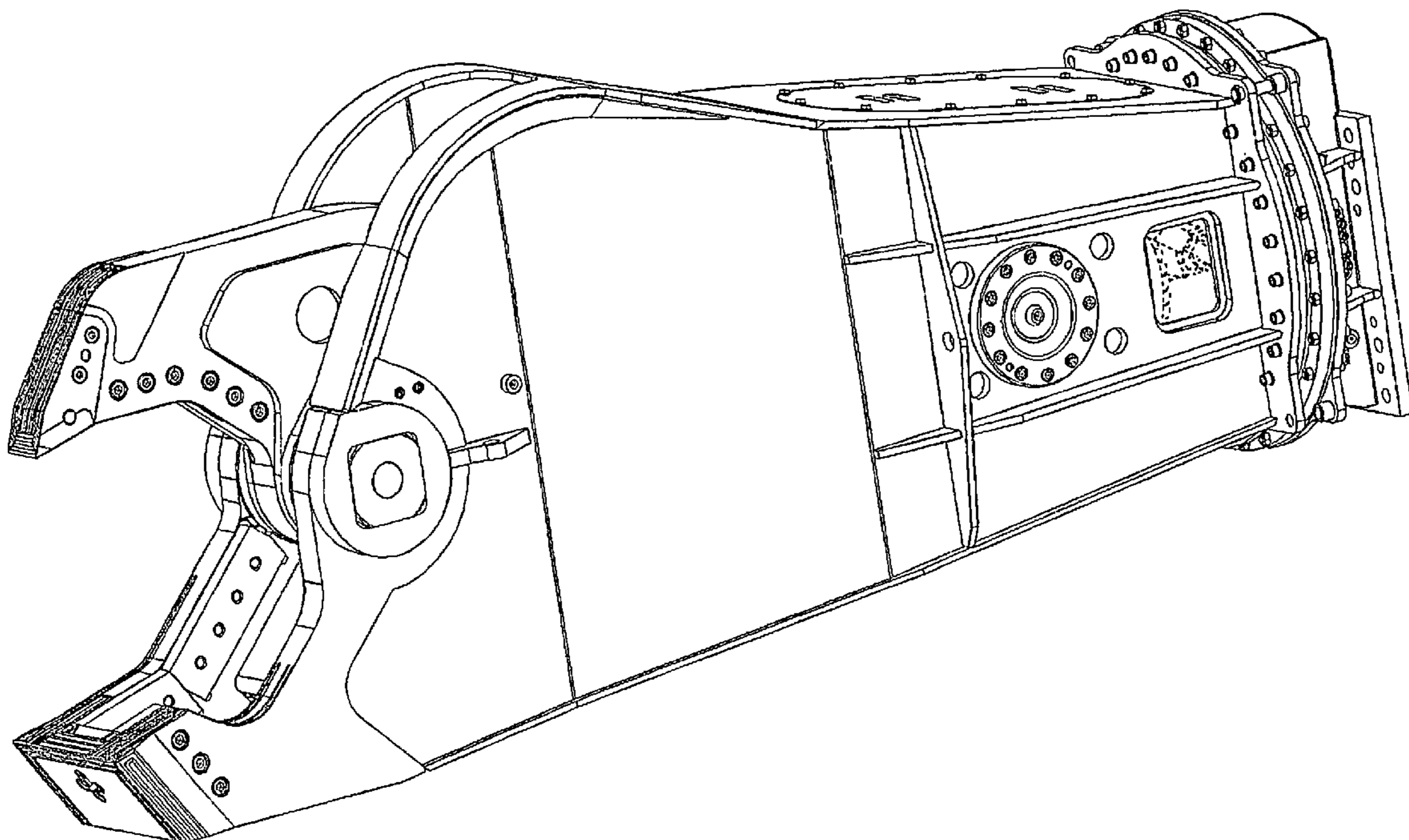
The ornamental design for the scrap and demolition shear, as shown and described.

DESCRIPTION

FIG. 1 is a perspective view of the scrap and demolition shear; FIG. 2 is a right side plan view of the scrap and demolition shear shown in FIG. 1; FIG. 3 is a left side plan view of the scrap and demolition shear shown in FIG. 1; FIG. 4 is a top plan view of the scrap and demolition shear shown in FIG. 1; FIG. 5 is a bottom plan view of the scrap and demolition shear shown in FIG. 1; FIG. 6 is a front plan view of the scrap and demolition shear shown in FIG. 1; and, FIG. 7 is a rear plan view of the scrap and demolition shear shown in FIG. 1.

The broken lines in FIGS. 1, 2, 3, 4, 5 and 7 depict unclaimed environmental subject matter.

1 Claim, 7 Drawing Sheets



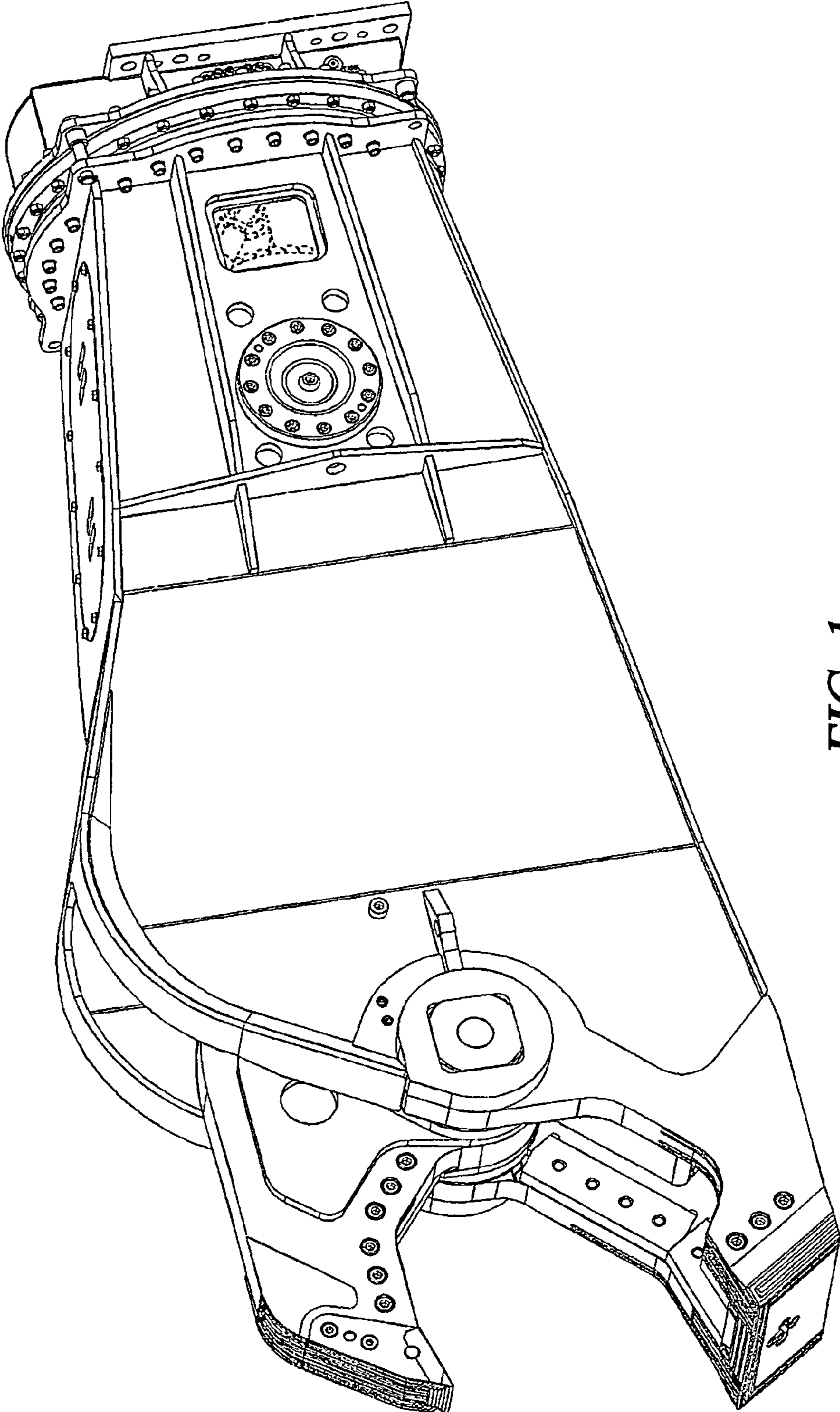


FIG. 1

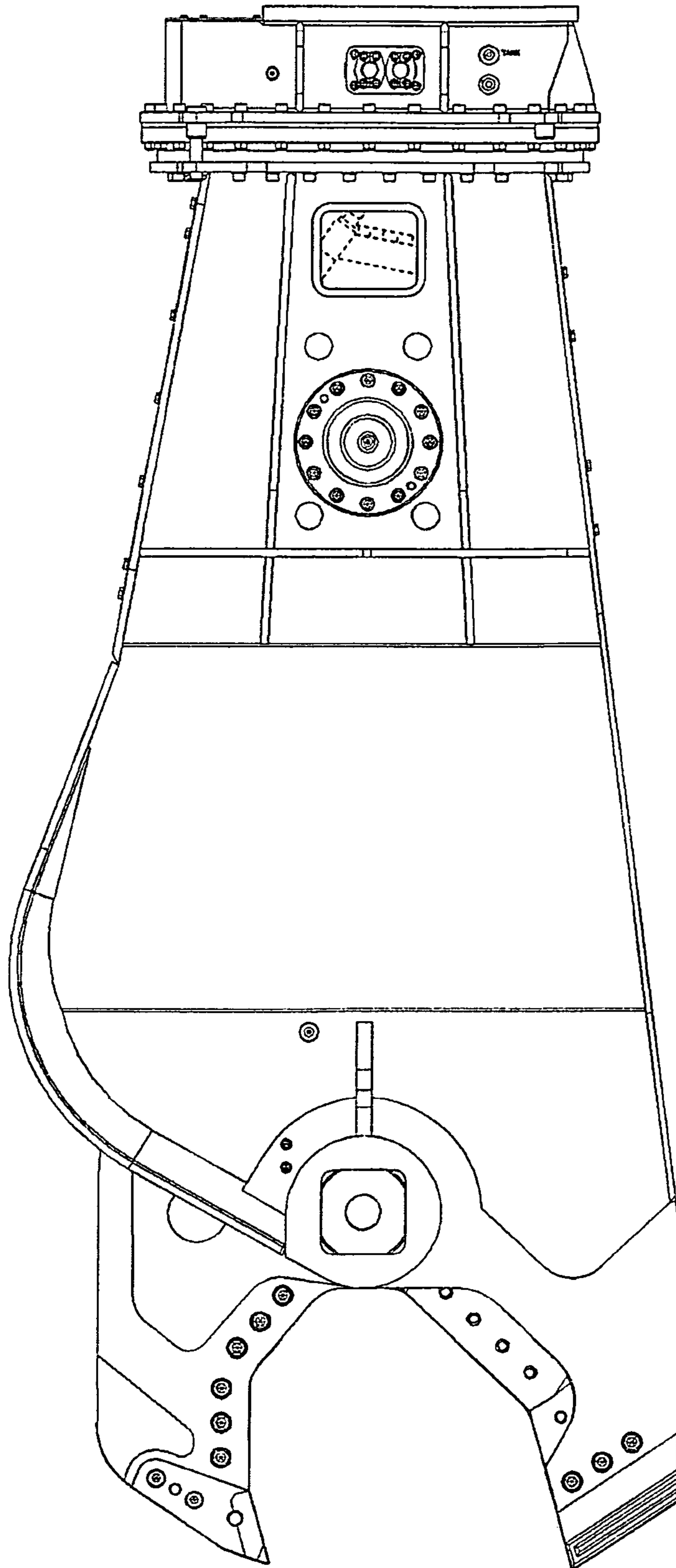


FIG. 2

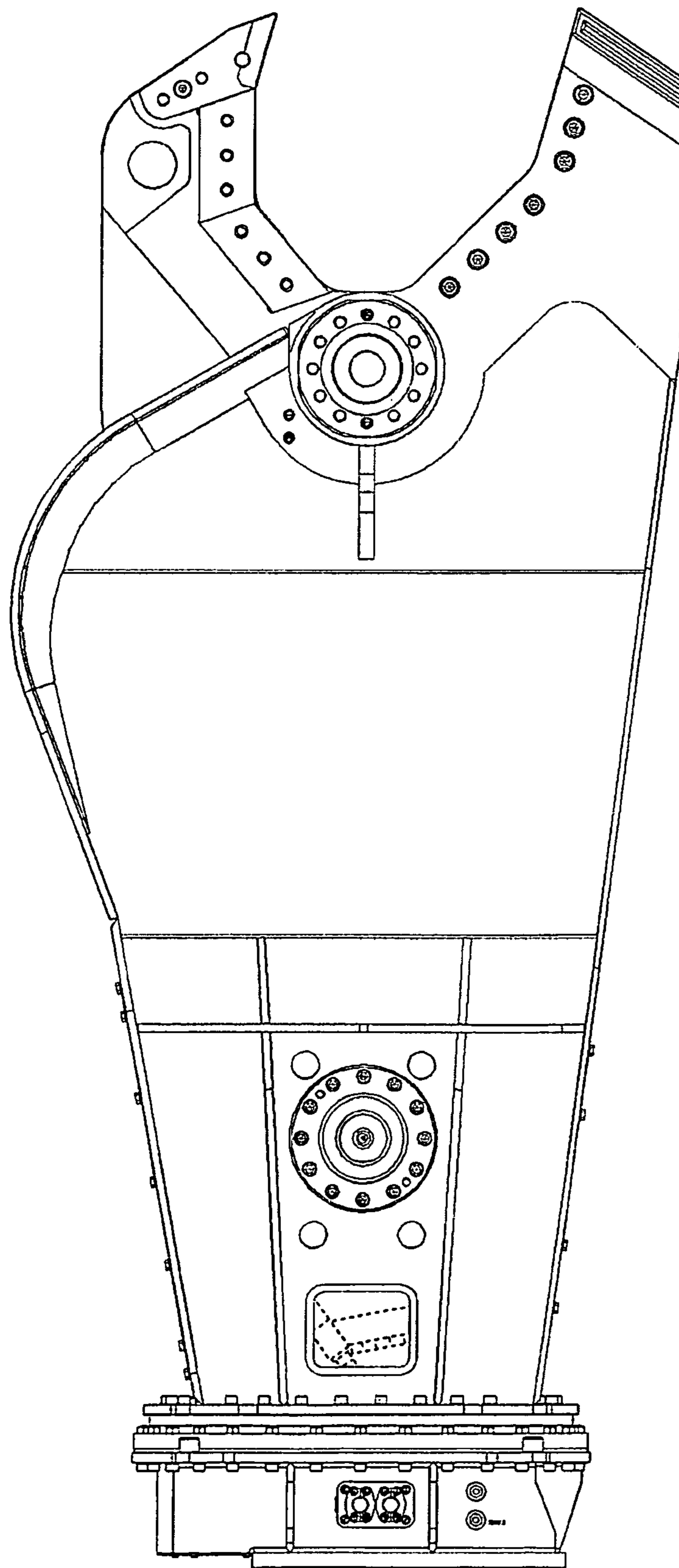


FIG. 3

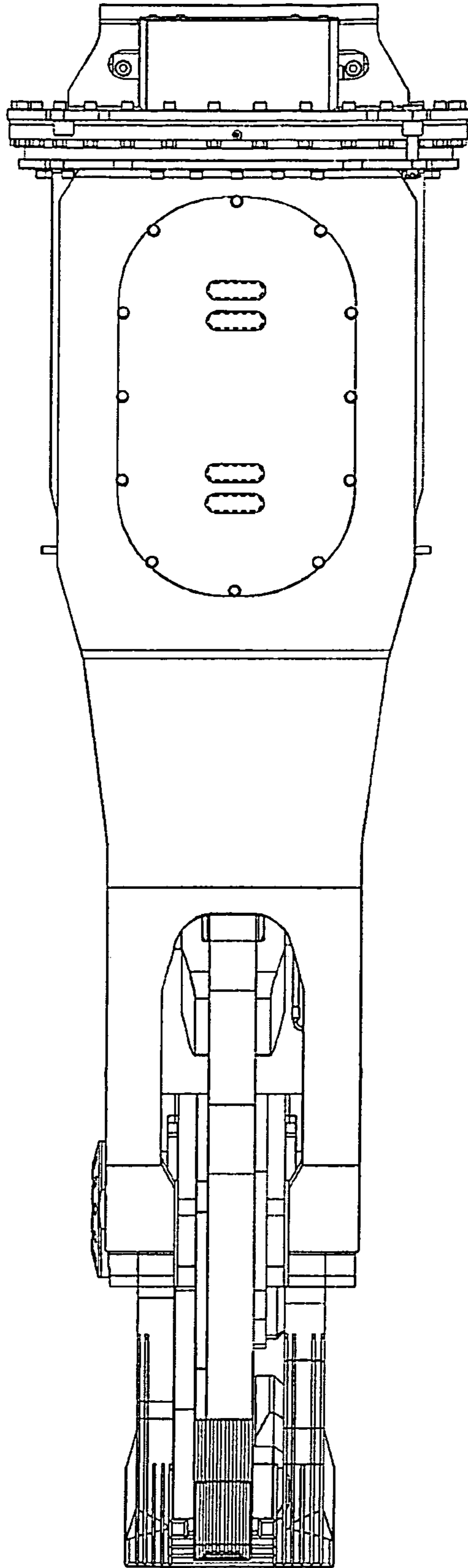


FIG. 4

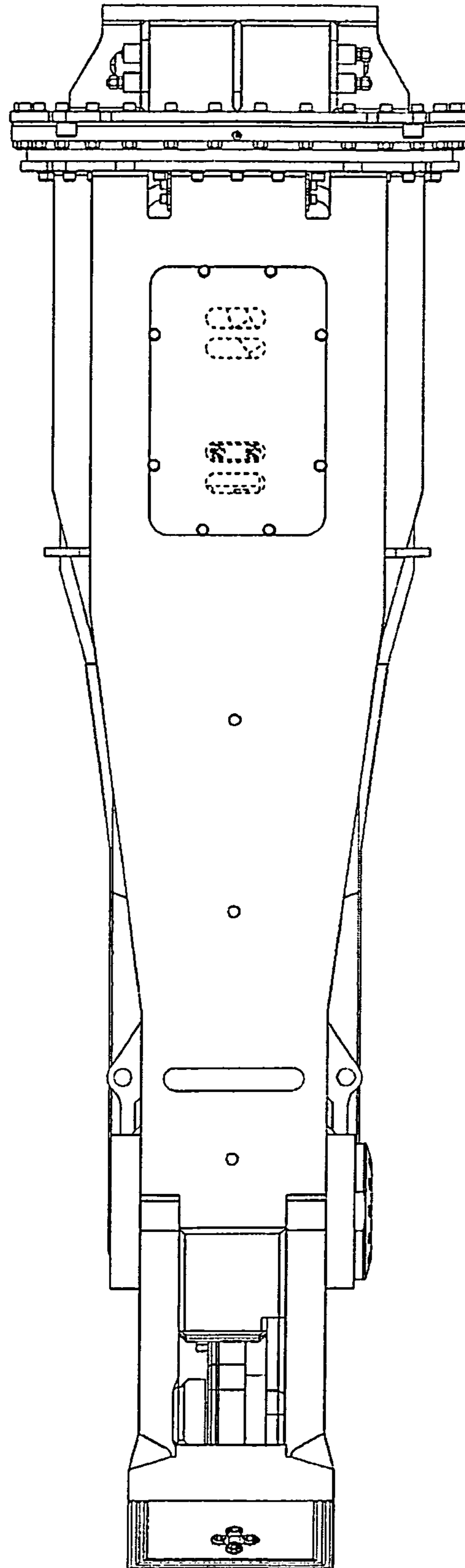


FIG. 5

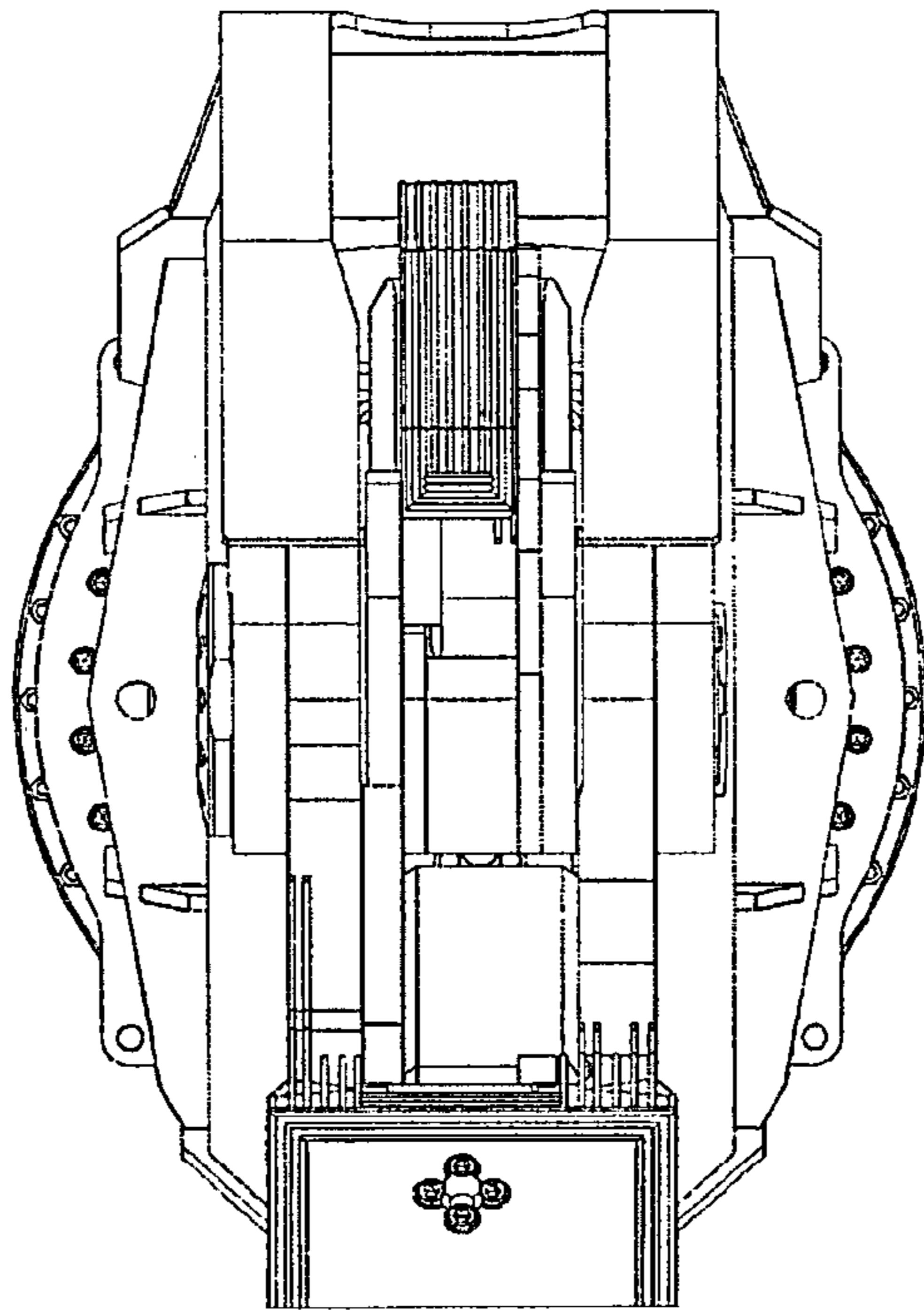


FIG. 6

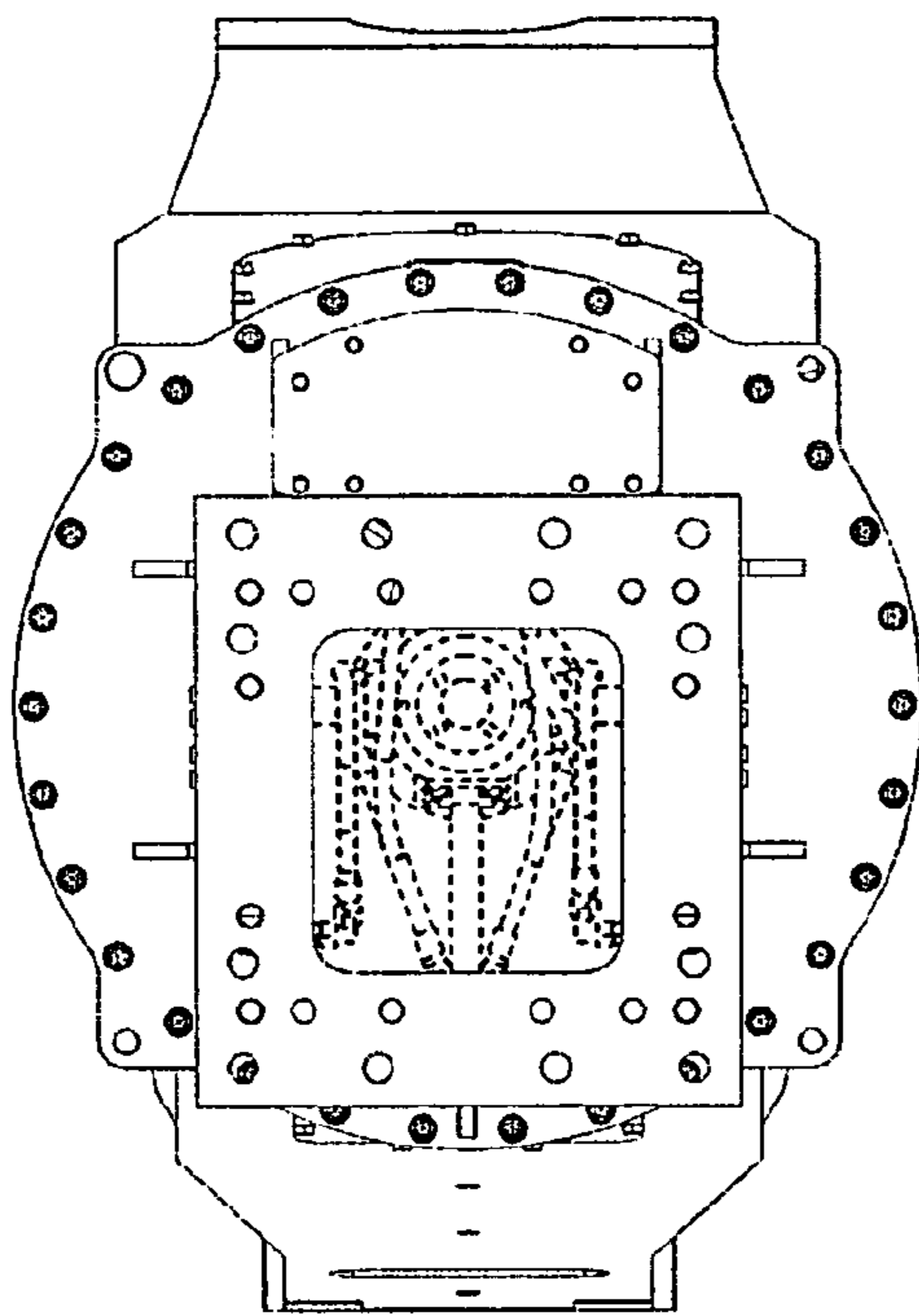


FIG. 7