



US00D687469S

(12) **United States Design Patent**  
**Takagi et al.**

(10) **Patent No.:** **US D687,469 S**

(45) **Date of Patent:** **\*\* Aug. 6, 2013**

(54) **OPERATION PANEL FOR WORKING  
VEHICLE**

- (71) Applicant: **Iseki & Co., Ltd.**, Ehime-ken (JP)
- (72) Inventors: **Makoto Takagi**, Ehime-ken (JP); **Shohei Kurokawa**, Ehime-ken (JP); **Takashi Wakino**, Ehime-ken (JP)
- (73) Assignee: **Iseki & Co., Ltd.**, Ehime-ken (JP)
- (\*\*) Term: **14 Years**

(21) Appl. No.: **29/438,138**

(22) Filed: **Nov. 27, 2012**

(30) **Foreign Application Priority Data**

Sep. 14, 2012 (JP) ..... 2012-022356

(51) **LOC (9) Cl.** ..... **15-03**

(52) **U.S. Cl.**  
USPC ..... **D15/28; D15/17**

(58) **Field of Classification Search**  
USPC ..... D15/17, 22-26, 28, 31, 33; D12/192,  
D12/419, 421; 180/69.2, 69.21, 69.24, 90;  
296/70, 30, 72, 191, 192, 193.03  
See application file for complete search history.

(56) **References Cited**

U.S. PATENT DOCUMENTS

D308,131	S	*	5/1990	Marcantonio	.....	D12/419
D313,962	S	*	1/1991	Haag et al.	.....	D12/423
D365,574	S	*	12/1995	Westimayer et al.	.....	D15/17
D427,613	S	*	7/2000	Altmann et al.	.....	D15/28
D428,022	S	*	7/2000	Altmann et al.	.....	D15/28
D432,076	S	*	10/2000	Stickles et al.	.....	D12/419
D441,769	S	*	5/2001	SurrIDGE	.....	D15/17
D521,413	S	*	5/2006	Katoh	.....	D12/1
D593,134	S	*	5/2009	Kuwae et al.	.....	D15/28
D636,410	S	*	4/2011	Ono et al.	.....	D15/28
D636,794	S	*	4/2011	Ono et al.	.....	D15/28
D640,293	S	*	6/2011	Ono et al.	.....	D15/28

\* cited by examiner

*Primary Examiner* — Mark Goodwin

(74) *Attorney, Agent, or Firm* — RatnerPrestia

(57) **CLAIM**

The ornamental design for an operation panel for a working vehicle, as shown and described.

**DESCRIPTION**

FIG. 1 is a front view of an operation panel for a working vehicle showing our new design;  
FIG. 2 is the left side view thereof;  
FIG. 3 is a perspective view thereof;  
FIG. 4 is a rear view thereof;  
FIG. 5 is a right side view thereof; and,  
FIG. 6 is a top view thereof.  
The features indicated in the figures in broken lines form no part of the claimed design.

**1 Claim, 6 Drawing Sheets**

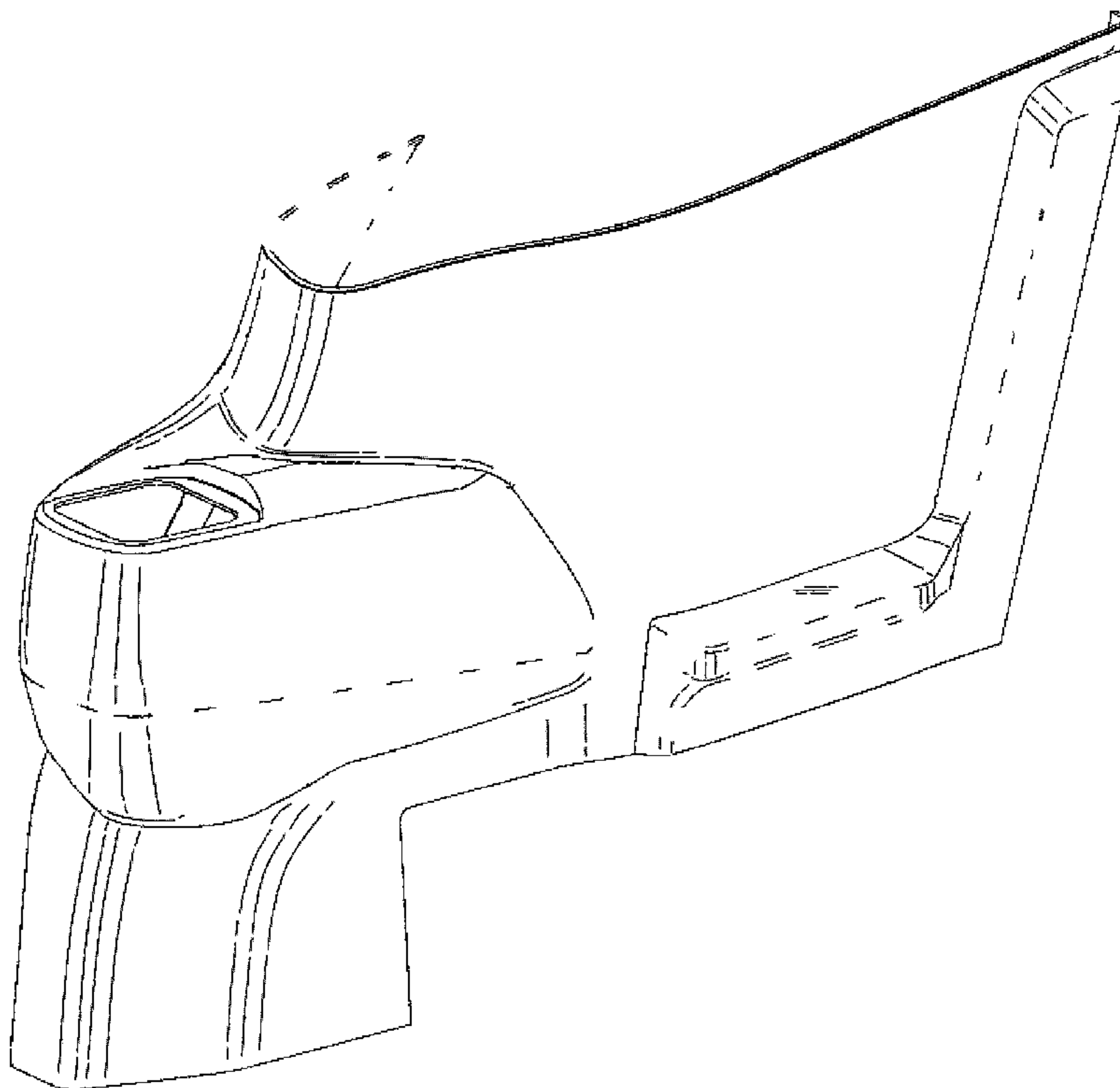


Fig. 1

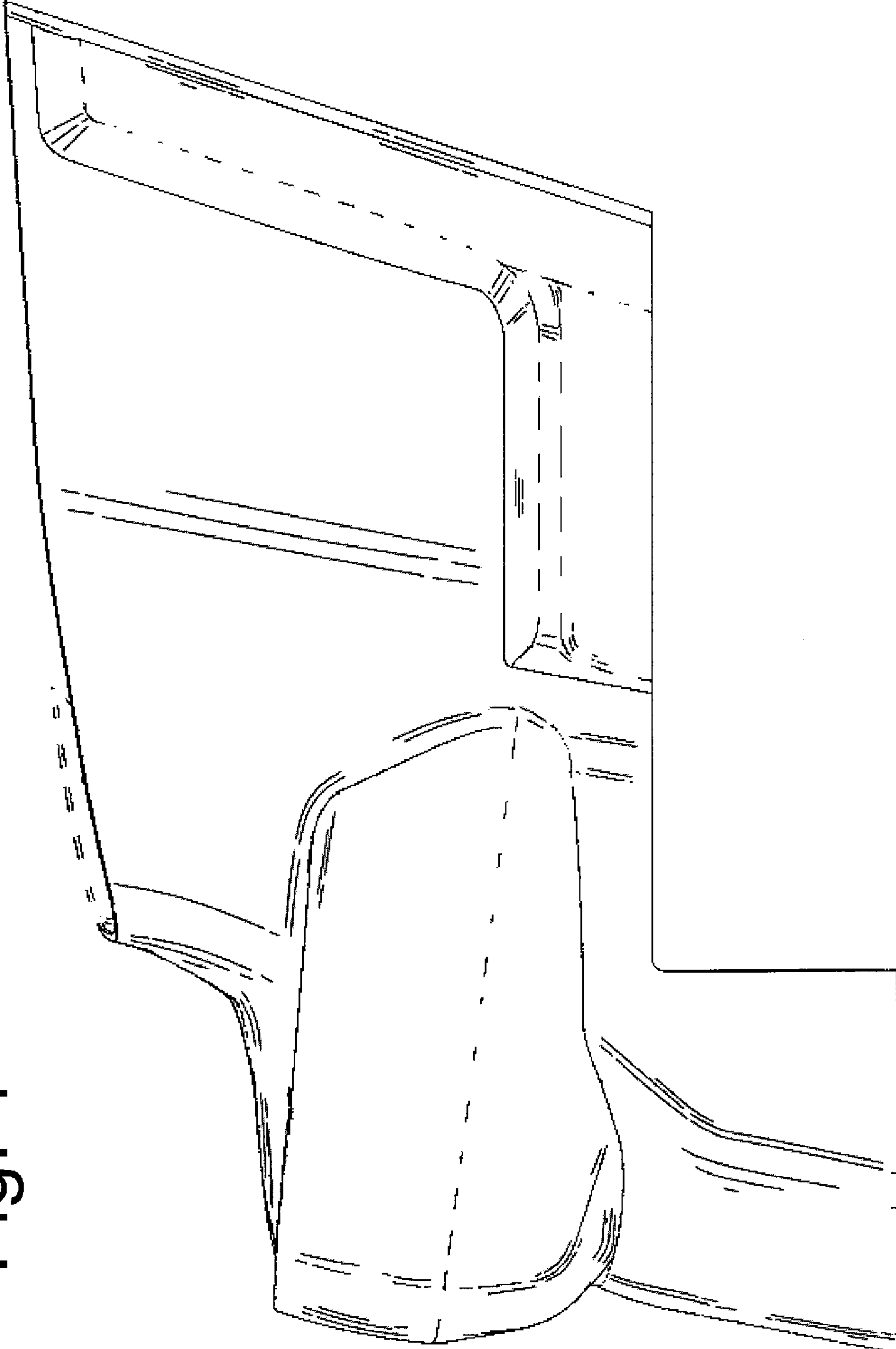
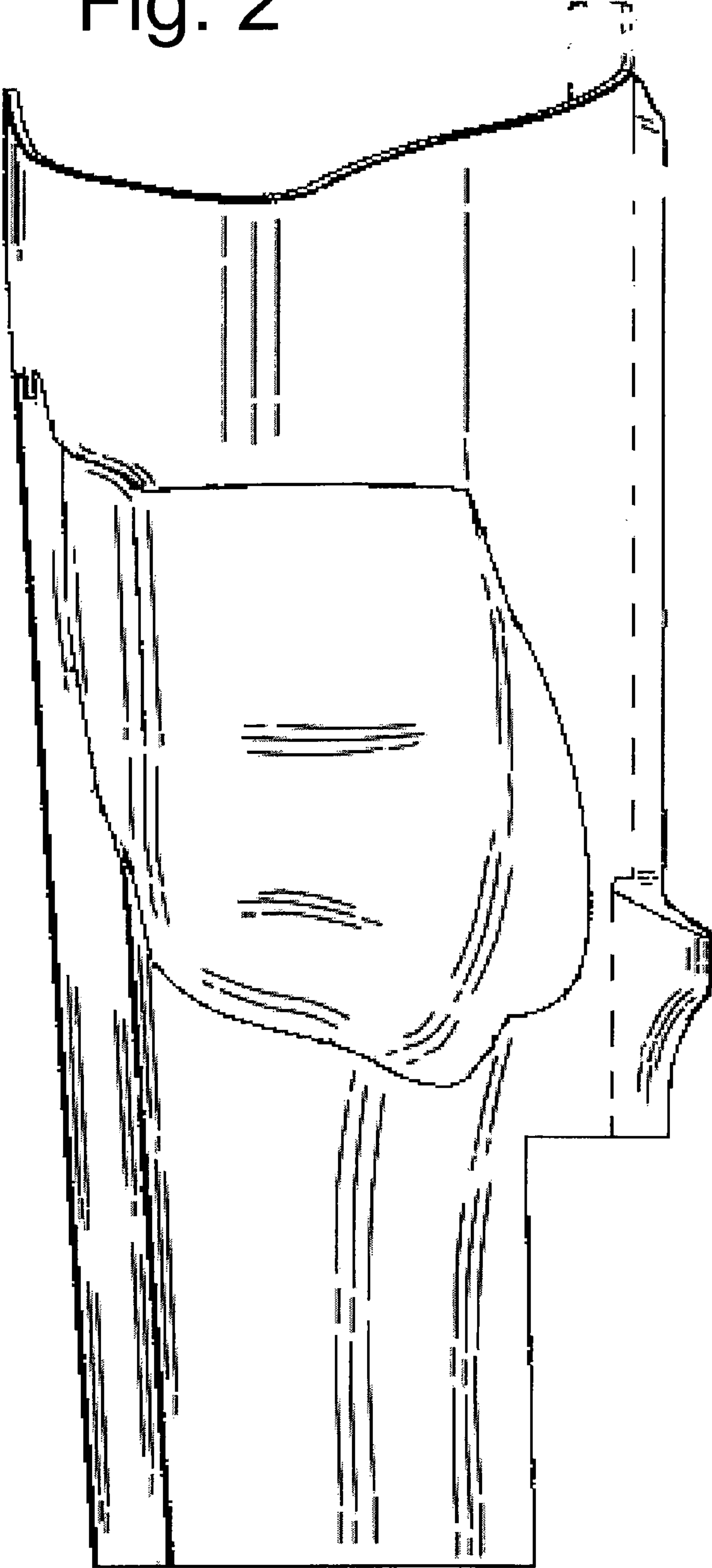


Fig. 2



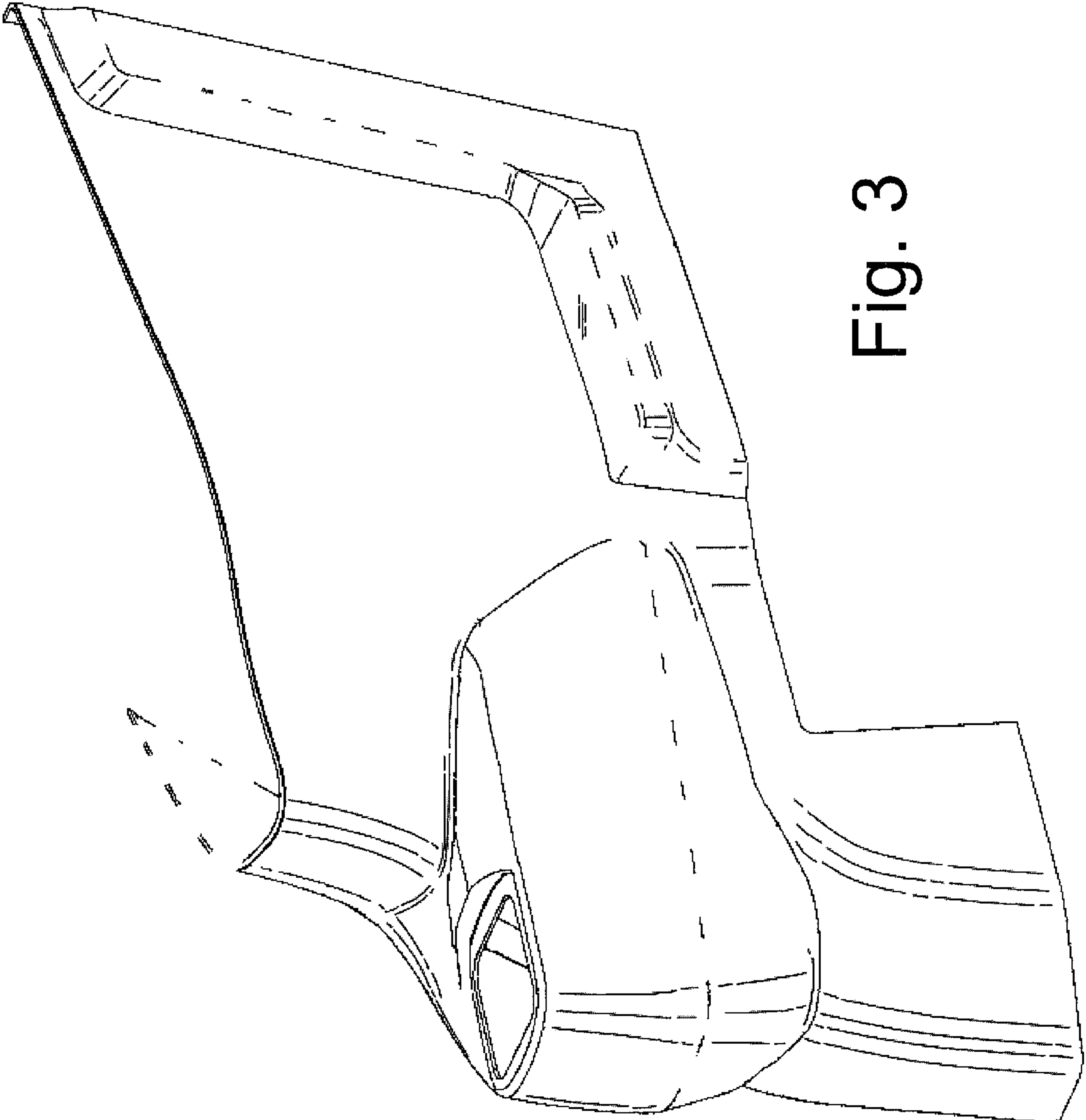


Fig. 3

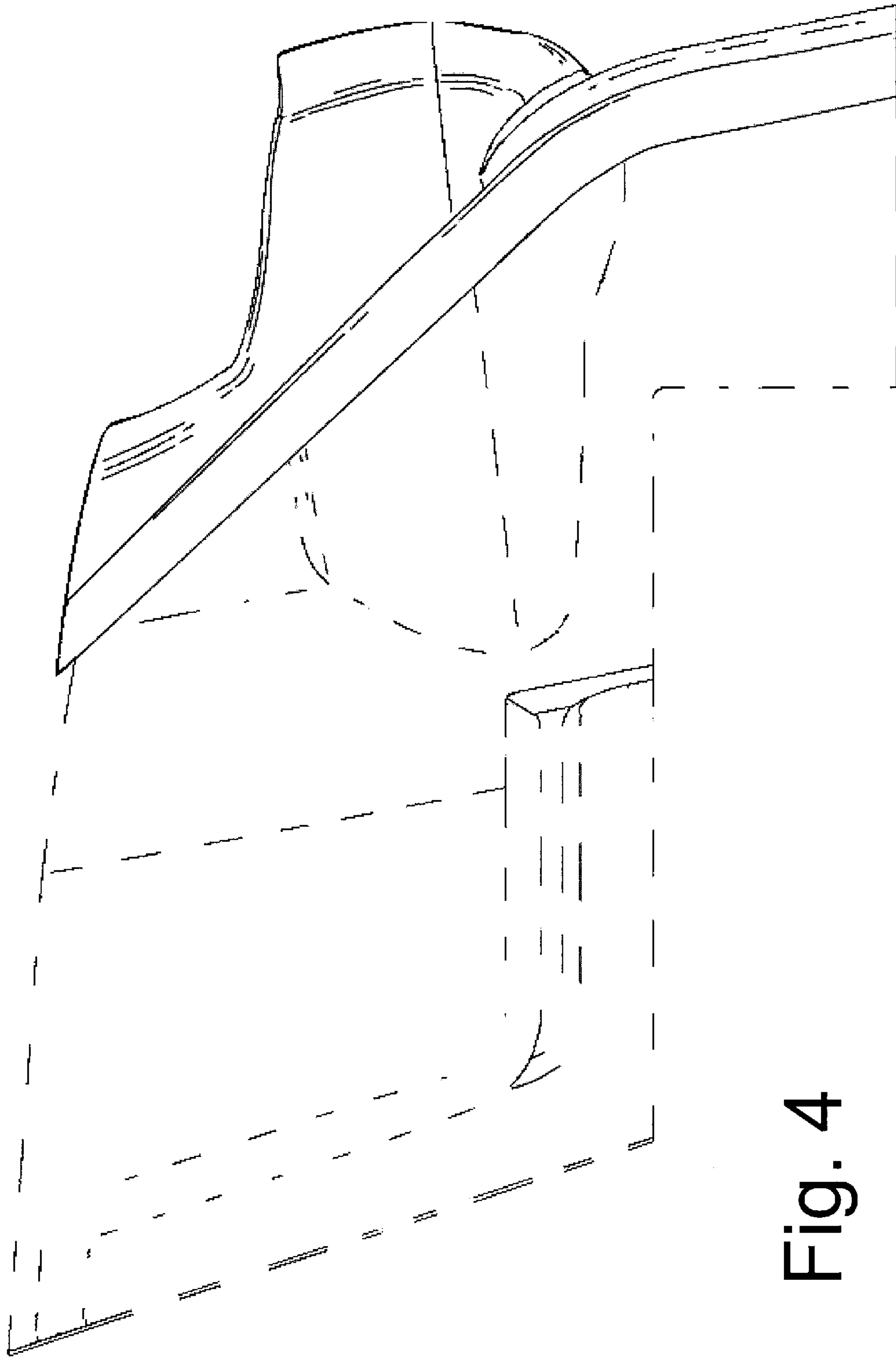


Fig. 4

Fig. 5

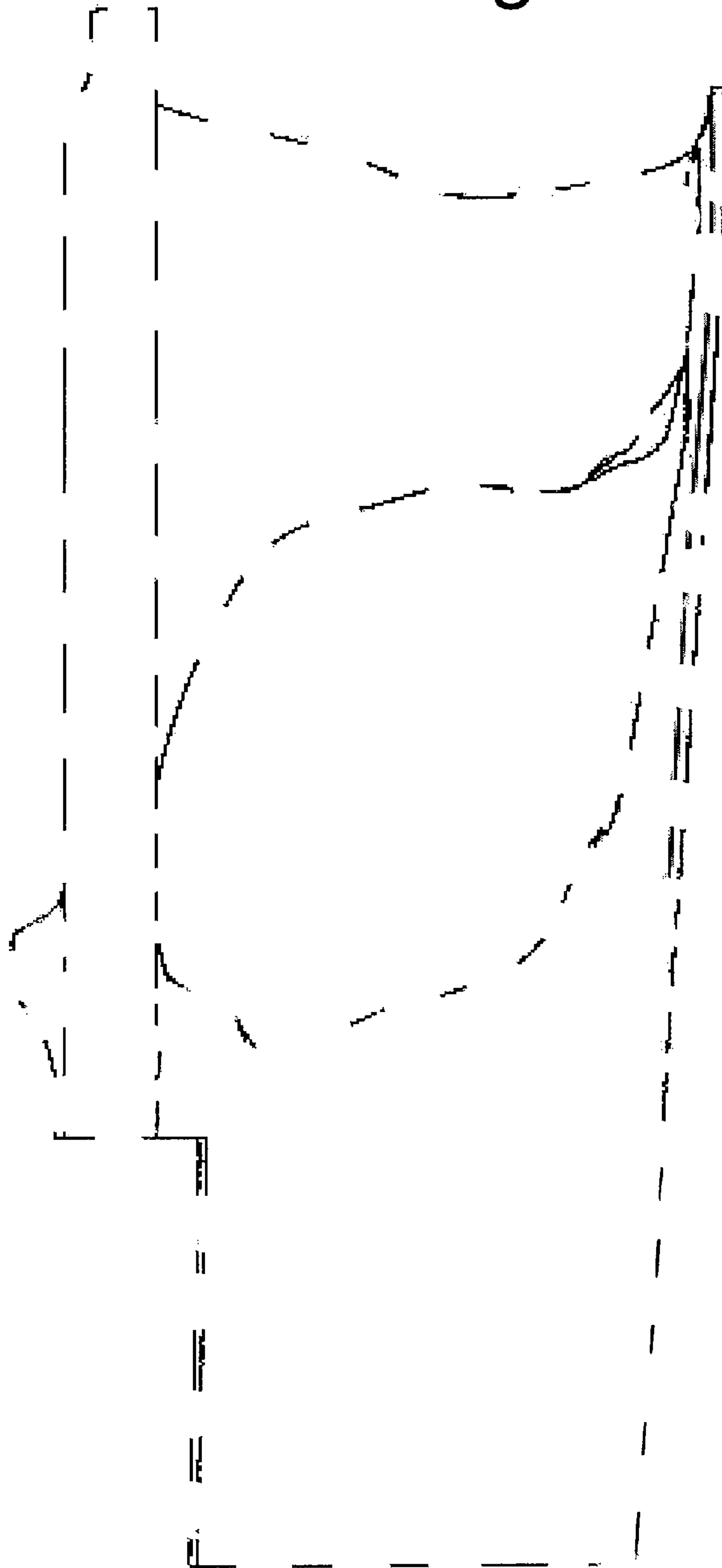


Fig. 6

