



US00D687467S

(12) **United States Design Patent**
Sofussen et al.

(10) **Patent No.:** **US D687,467 S**
(45) **Date of Patent:** **** Aug. 6, 2013**

(54) **PUMP CONTROL HOUSING**

(75) Inventors: **Morten Sofussen**, Aarhus C (DK); **Uffe Staehr**, Hinnerup (DK)

(73) Assignee: **Grundfos Holding a/s**, Bjerringbro (DK)

(**) Term: **14 Years**

(21) Appl. No.: **29/429,062**

(22) Filed: **Aug. 7, 2012**

Related U.S. Application Data

(63) Continuation-in-part of application No. 29/421,511, filed on Aug. 6, 2012.

(30) **Foreign Application Priority Data**

Feb. 7, 2012 (EM) 001988023
Feb. 7, 2012 (EM) 001988098

(51) **LOC (9) Cl.** **15-02**

(52) **U.S. Cl.**
USPC **D15/7**

(58) **Field of Classification Search**
USPC D15/7-9; D23/231, 232, 225; 417/60, 417/235, 265, 321, 355, 358, 363, 359, 410.1, 417/415-416, 405, 900, 43, 554; 60/408, 60/412; 184/26-37; 415/140-147; 123/495, 123/509; 166/105.1, 105.2, 311
See application file for complete search history.

(56) **References Cited**

U.S. PATENT DOCUMENTS

D442,607	S	*	5/2001	Bauck	D15/7
D573,607	S	*	7/2008	Bulter	D15/7
D613,771	S	*	4/2010	Gaertner	D15/7
D626,970	S	*	11/2010	Moser et al.	D15/9
D638,858	S	*	5/2011	Johnson et al.	D15/7
D647,537	S	*	10/2011	Mehnert et al.	D15/7
D662,113	S	*	6/2012	Johnson et al.	D15/7

OTHER PUBLICATIONS

Grundfos webpage printed Mar. 4, 2013, 2 pages. <http://noteswww.grundfos.com/web/homecbs_asia.nsf/webPrintView/3B065B443DB9E1DFC1256C80003C5277>, illustrating prior art pump designs.

* cited by examiner

Primary Examiner — Ralf Seifert

(74) *Attorney, Agent, or Firm* — Panitch Schwarze Belisario & Nadel LLP

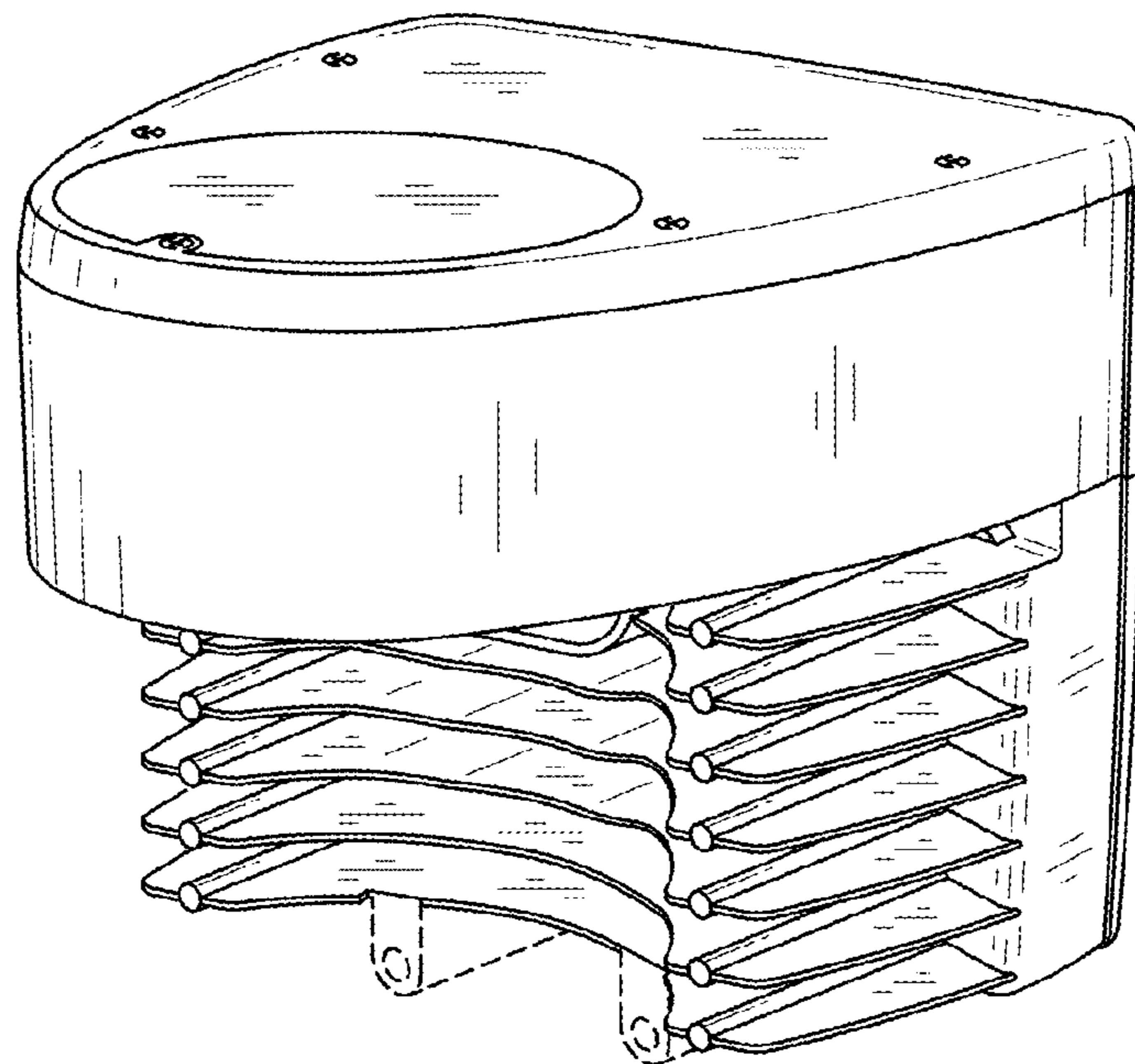
(57) **CLAIM**

The ornamental design for a pump control housing, as shown and described.

DESCRIPTION

FIG. 1 is a perspective view of the front, top and left side of a pump control housing in accordance with our new design; FIG. 2 is a front elevation view thereof; FIG. 3 is an elevation view of the left side thereof, the elevation view of the right side being a mirror image; FIG. 4 is a rear elevation view thereof; FIG. 5 is a top plan view thereof; and, FIG. 6 is a bottom plan view thereof.

1 Claim, 6 Drawing Sheets



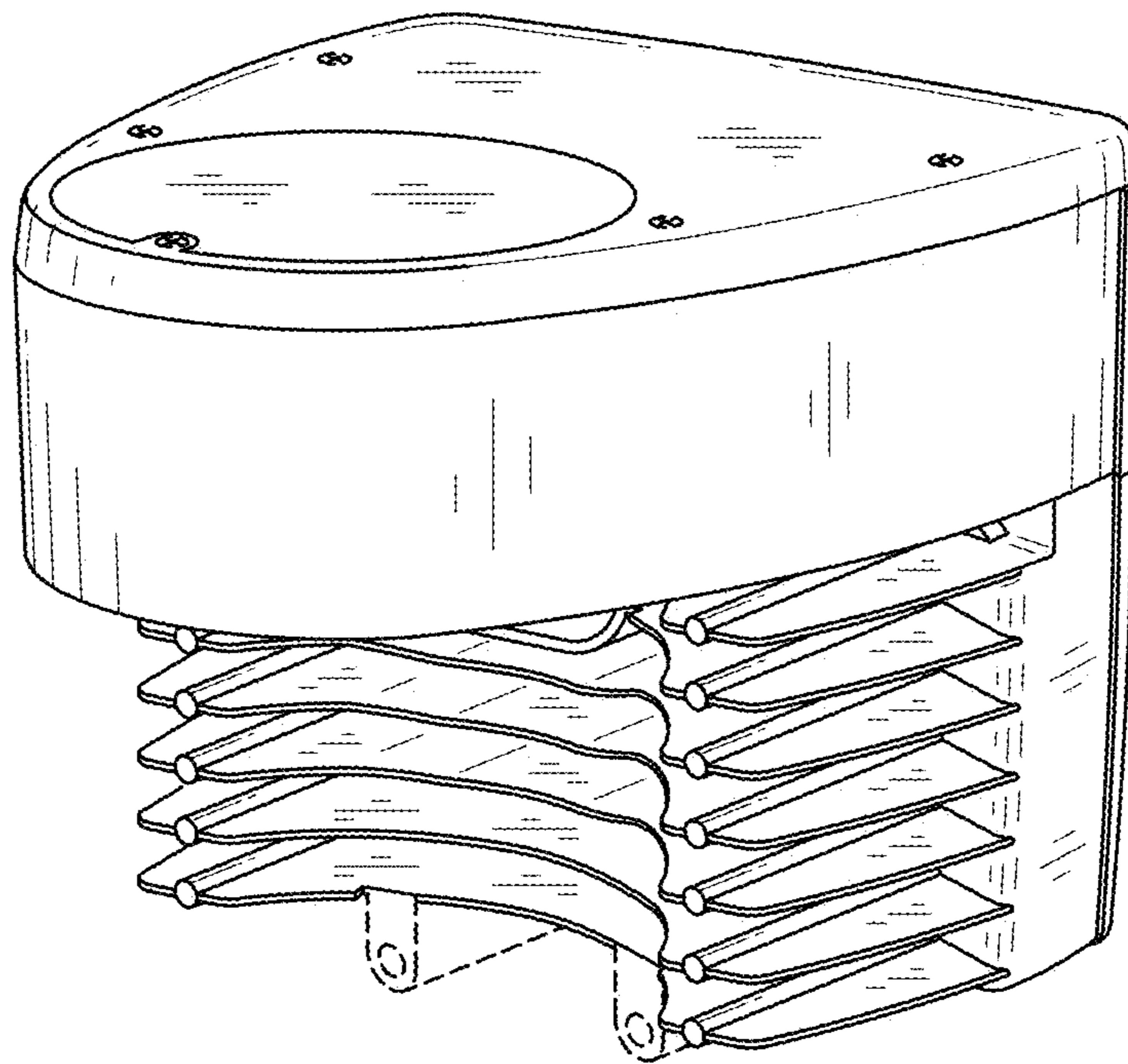


Fig. 1

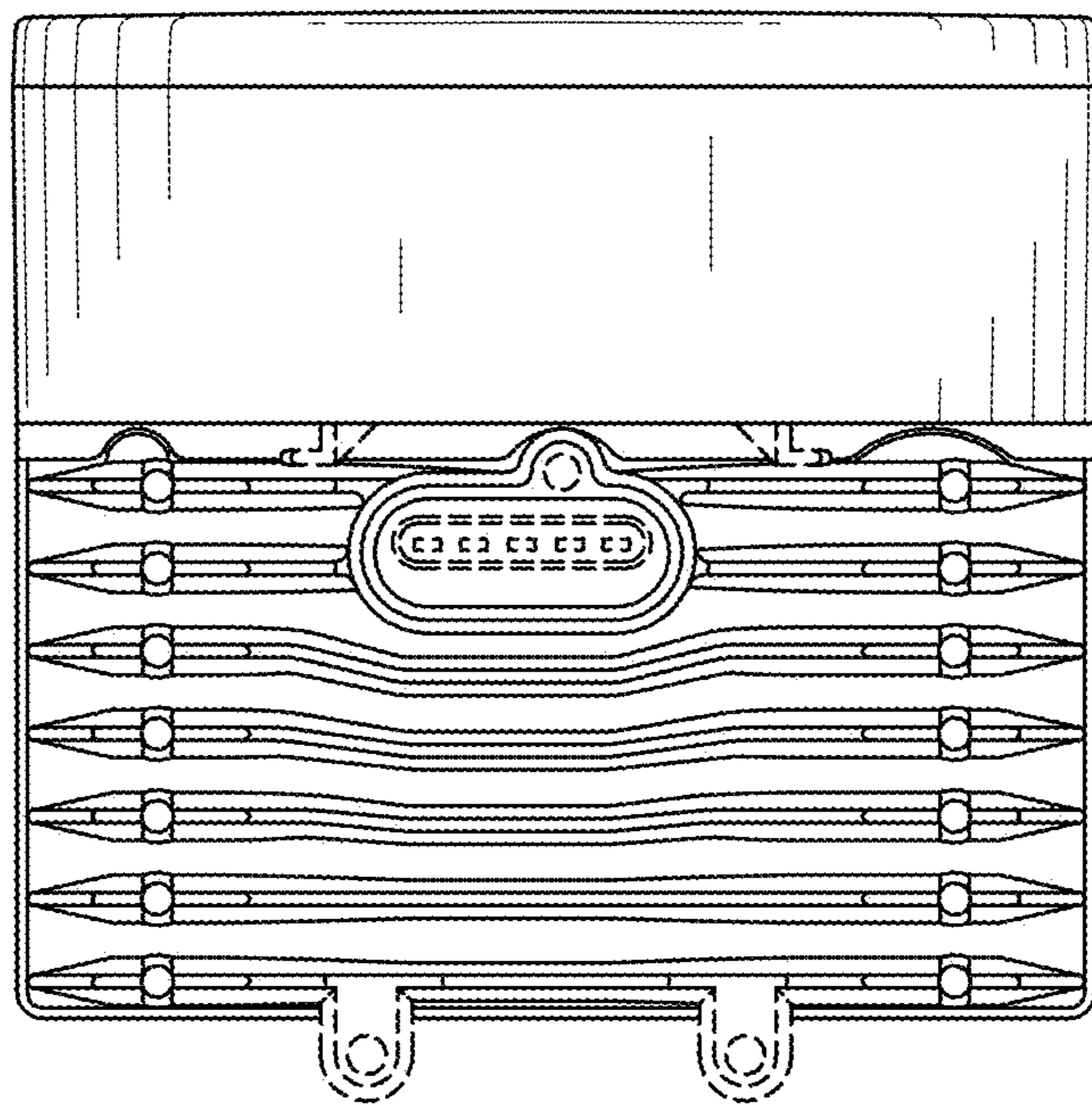


Fig. 2

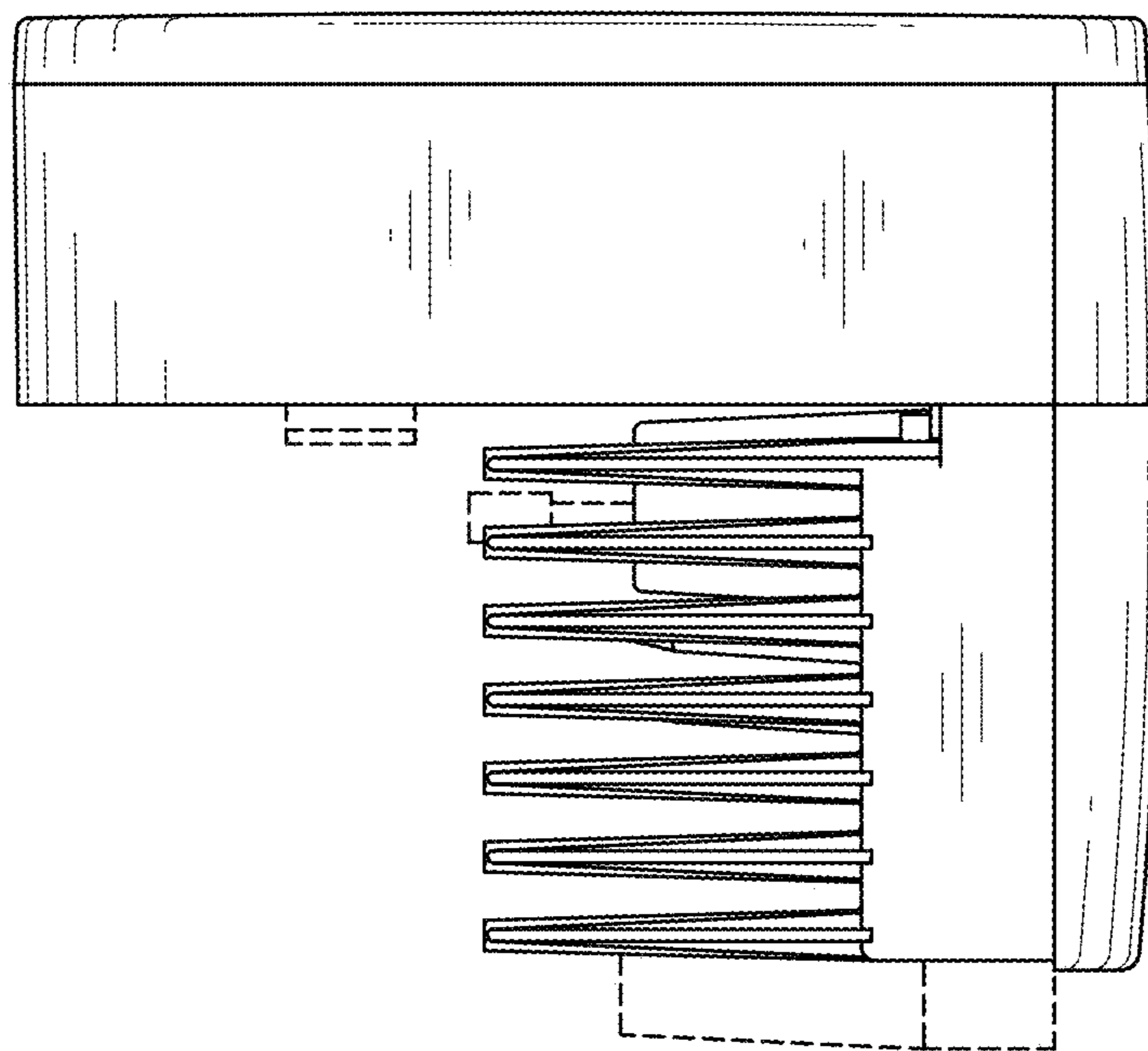


Fig. 3

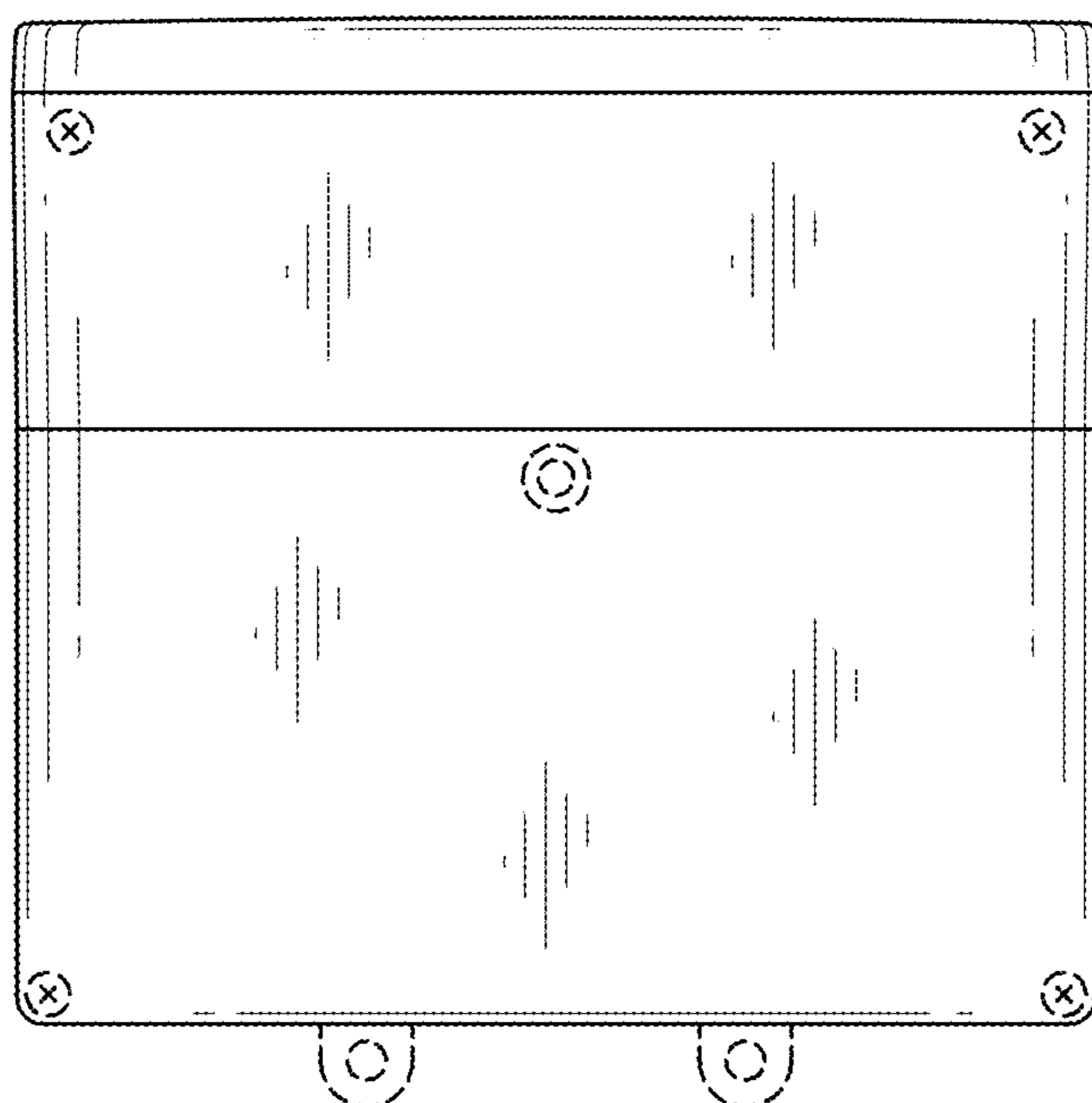


Fig. 4

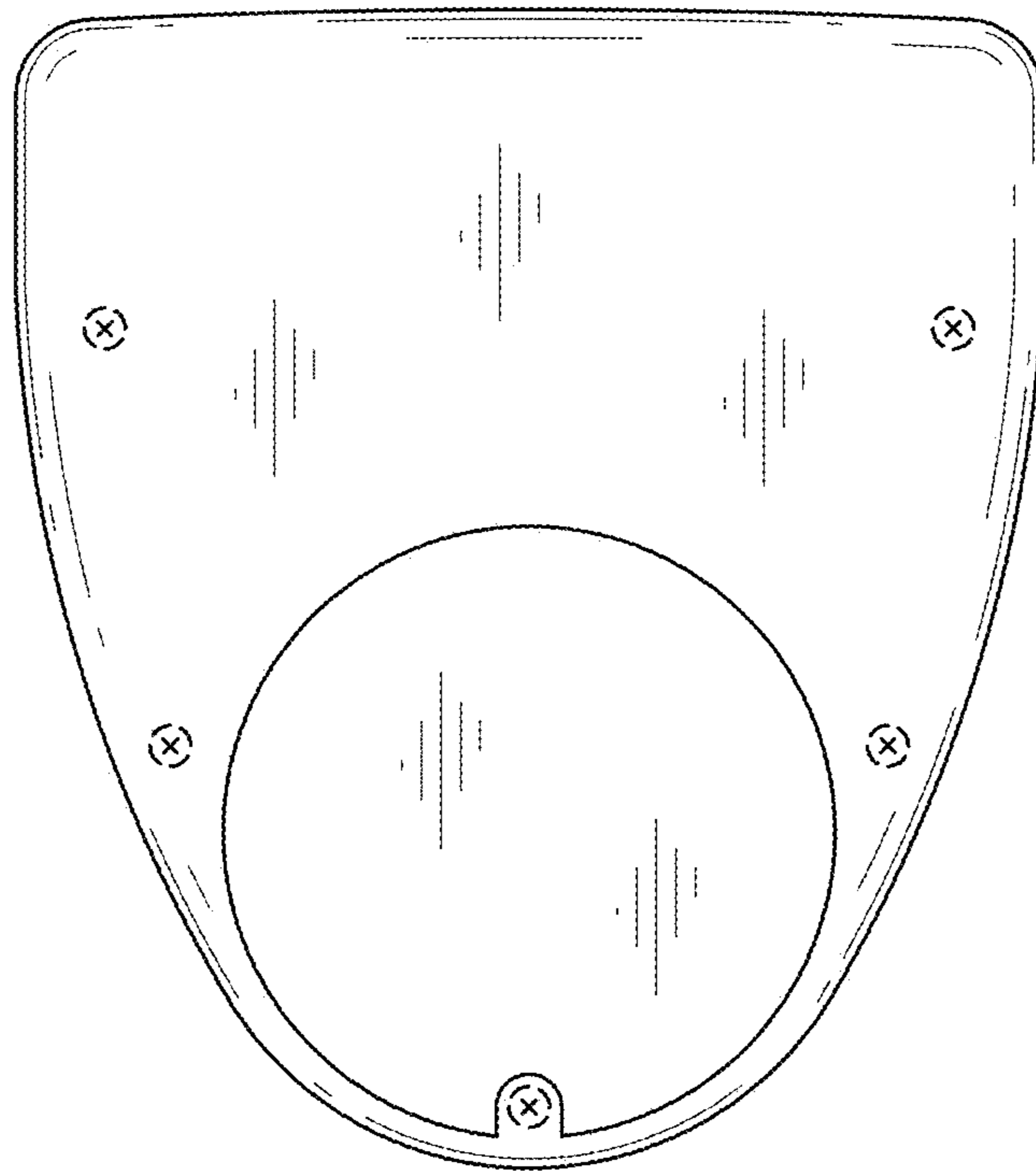


Fig. 5

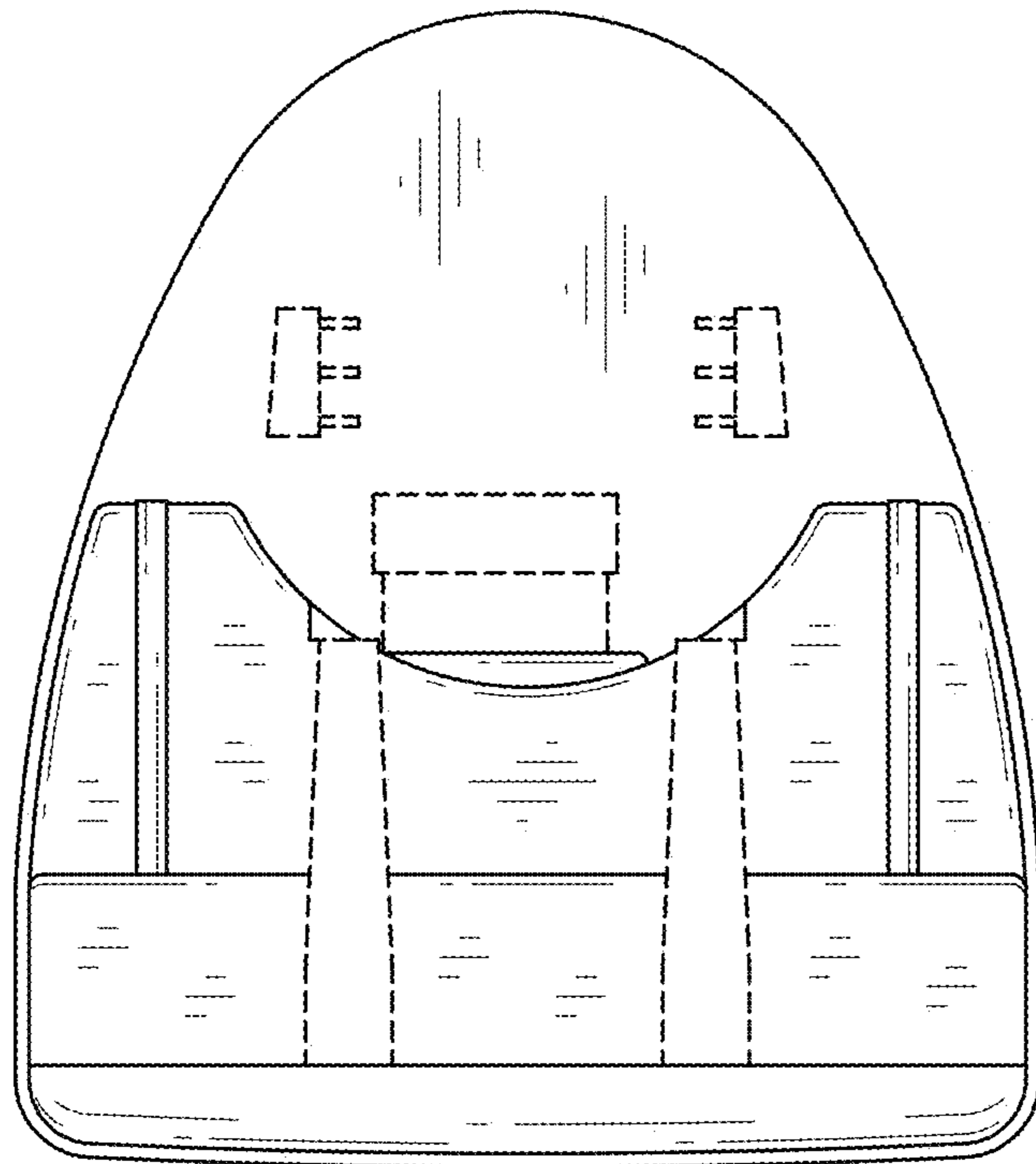


Fig. 6