



US00D687463S

(12) **United States Design Patent**  
**Jang et al.**

(10) **Patent No.:** **US D687,463 S**

(45) **Date of Patent:** **\*\* Aug. 6, 2013**

(54) **DISPLAY SCREEN PORTION WITH ICON**

(56) **References Cited**

(75) Inventors: **Chul-Ho Jang**, Seoul (KR); **Jee-Yeun Wang**, Seoul (KR); **Hyung-Joo Jin**, Seoul (KR)

(73) Assignee: **Samsung Electronics Co., Ltd.**, Suwon-si (KR)

(\*\*) Term: **14 Years**

(21) Appl. No.: **29/428,708**

(22) Filed: **Aug. 2, 2012**

(30) **Foreign Application Priority Data**

Apr. 4, 2012 (KR) ..... 30-2012-0015942

(51) **LOC (9) Cl.** ..... **14-04**

(52) **U.S. Cl.**  
USPC ..... **D14/492**

(58) **Field of Classification Search**  
USPC ..... D14/485–495; 715/700, 703, 706, 715/715, 716, 727, 728, 772, 776, 777, 779, 715/810, 825, 834, 835, 836, 837, 838, 839, 715/840, 845, 846, 847, 849, 856, 857, 858, 715/859, 860, 861, 862, 864, 963, 976, 977; D8/334

See application file for complete search history.

U.S. PATENT DOCUMENTS

D482,042	S	*	11/2003	Peters	.....	D14/492
D512,072	S	*	11/2005	Totten et al.	.....	D14/492
D581,424	S	*	11/2008	Hong	.....	D14/486
D592,674	S	*	5/2009	Kwag	.....	D14/486
D597,101	S	*	7/2009	Chaudhri et al.	.....	D14/488
D601,166	S	*	9/2009	Chen et al.	.....	D14/492
D611,494	S	*	3/2010	Akiyoshi et al.	.....	D14/492
D646,695	S	*	10/2011	Hoggarth et al.	.....	D14/488
D647,104	S	*	10/2011	Steele et al.	.....	D14/492
D652,054	S	*	1/2012	Anzures	.....	D14/492
2009/0251418	A1	*	10/2009	Cho	.....	345/169
2010/0185989	A1	*	7/2010	Shiplacoff et al.	.....	715/856
2012/0036459	A1	*	2/2012	Pei et al.	.....	715/765

\* cited by examiner

*Primary Examiner* — Angela J Lee

(74) *Attorney, Agent, or Firm* — NSIP Law

(57) **CLAIM**

The ornamental design for an display screen portion with icon, as shown and described.

**DESCRIPTION**

FIG. 1 is a front view of an display screen portion with icon showing my new design; and, FIG. 2 is a front view of the display screen portion with icon of FIG. 1, in which a mobile terminal in broken lines is provided to illustrate an example environment. The broken line drawing of the mobile terminal, and the symbols and otherwise images shown in broken lines in FIG. 2 are for illustrative purposes only and form no part of the claimed design.

**1 Claim, 2 Drawing Sheets**

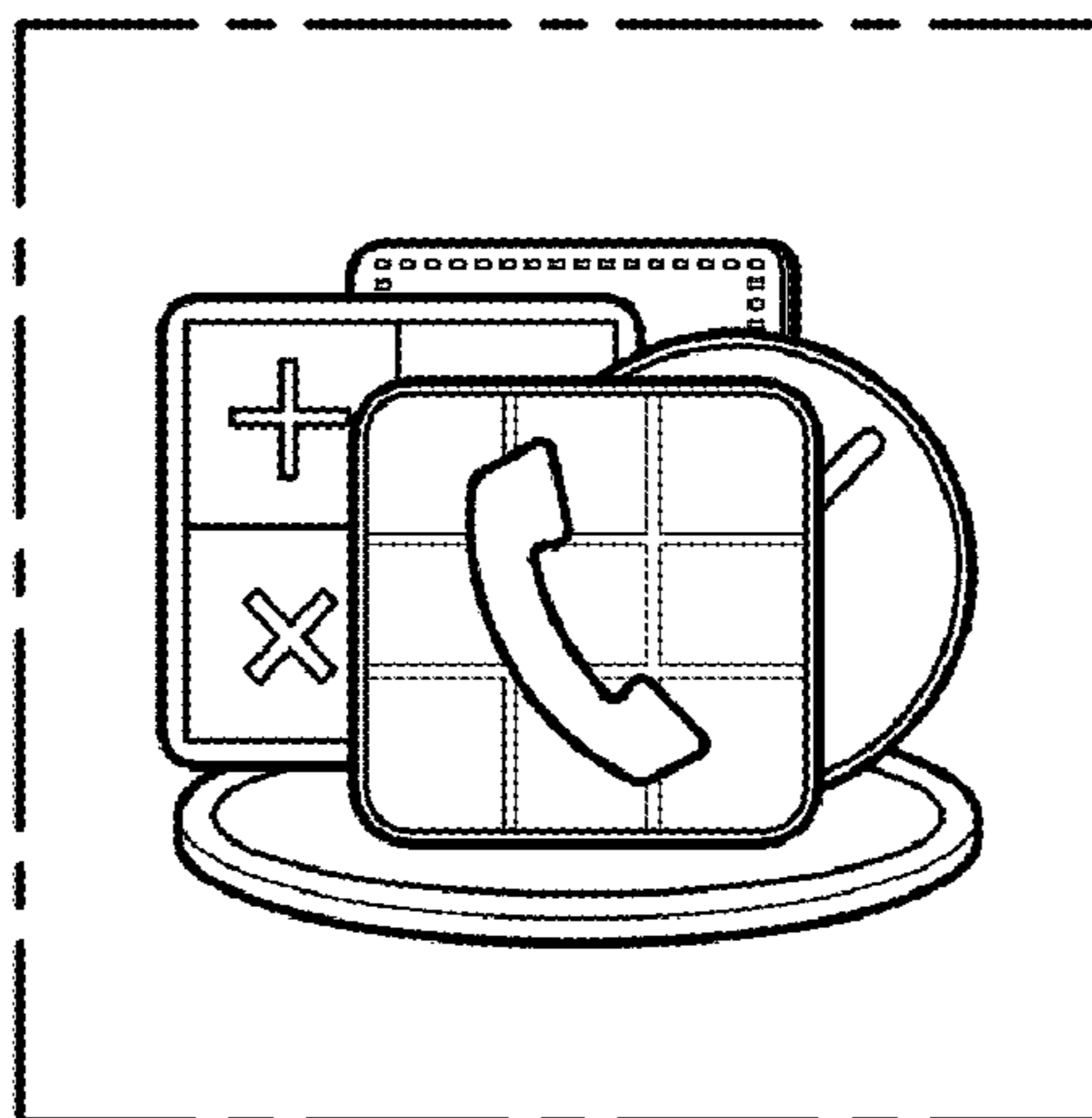


FIG. 1

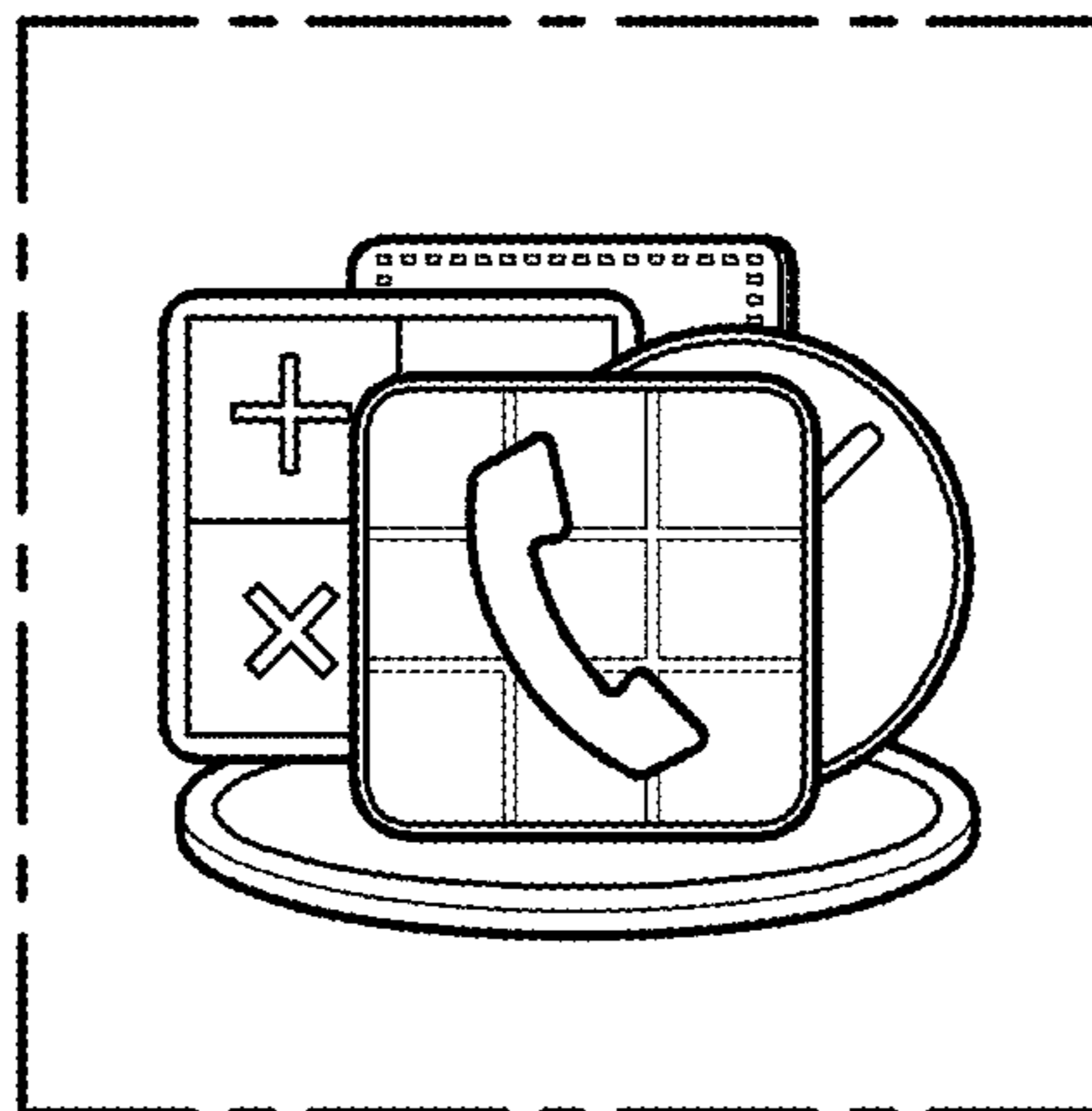


FIG. 2

