



US00D687448S

(12) **United States Design Patent**
Arnold et al.

(10) **Patent No.:** **US D687,448 S**
(45) **Date of Patent:** **** Aug. 6, 2013**

(54) **DISPLAY SCREEN WITH ANIMATED GRAPHICAL USER INTERFACE**

(75) Inventors: **Jeffery G. Arnold**, Sammamish, WA (US); **Aaron Woo**, Seattle, WA (US); **Jeffrey C. Fong**, Seattle, WA (US); **Megan Donahue**, Seattle, WA (US); **Ian Todd**, Seattle, WA (US); **Chad Michael Roberts**, Snohomish, WA (US); **Jae Park**, Redmond, WA (US)

(73) Assignee: **Microsoft Corporation**, Redmond, WA (US)

(**) Term: **14 Years**

(21) Appl. No.: **29/425,219**

(22) Filed: **Jun. 20, 2012**

(51) **LOC (9) Cl.** **14-04**

(52) **U.S. Cl.**
USPC **D14/485**

(58) **Field of Classification Search**
USPC .. D14/485-495; D13/162; 345/168; 715/702, 715/765, 771, 772, 773, 788, 811, 828, 848, 715/782; 709/219
See application file for complete search history.

(56) **References Cited**

U.S. PATENT DOCUMENTS

D544,877 S *	6/2007	Sasser	D14/486
D605,200 S *	12/2009	Sakai	D14/486
D615,989 S *	5/2010	Chaudhri	D14/488
D640,273 S *	6/2011	Arnold et al.	D14/487
D640,274 S *	6/2011	Arnold	D14/487
D640,284 S *	6/2011	Woo et al.	D14/487
D648,344 S *	11/2011	Arnold	D14/486
D648,345 S *	11/2011	Arnold et al.	D14/486
D648,735 S *	11/2011	Arnold et al.	D14/486

D654,504 S *	2/2012	Pearson et al.	D14/486
D655,299 S *	3/2012	Shallcross et al.	D14/485
D658,674 S *	5/2012	Shallcross et al.	D14/488
D659,711 S *	5/2012	Guss et al.	D14/495
D671,134 S *	11/2012	Arnold	D14/487
D671,557 S *	11/2012	Peters et al.	D14/487
D677,688 S *	3/2013	Woo	D14/487
2003/0076352 A1 *	4/2003	Uhlig et al.	345/738
2011/0283234 A1 *	11/2011	Takaki	715/825

* cited by examiner

Primary Examiner — Kevin Rudzinski

(74) *Attorney, Agent, or Firm* — Banner & Witcoff, Ltd.

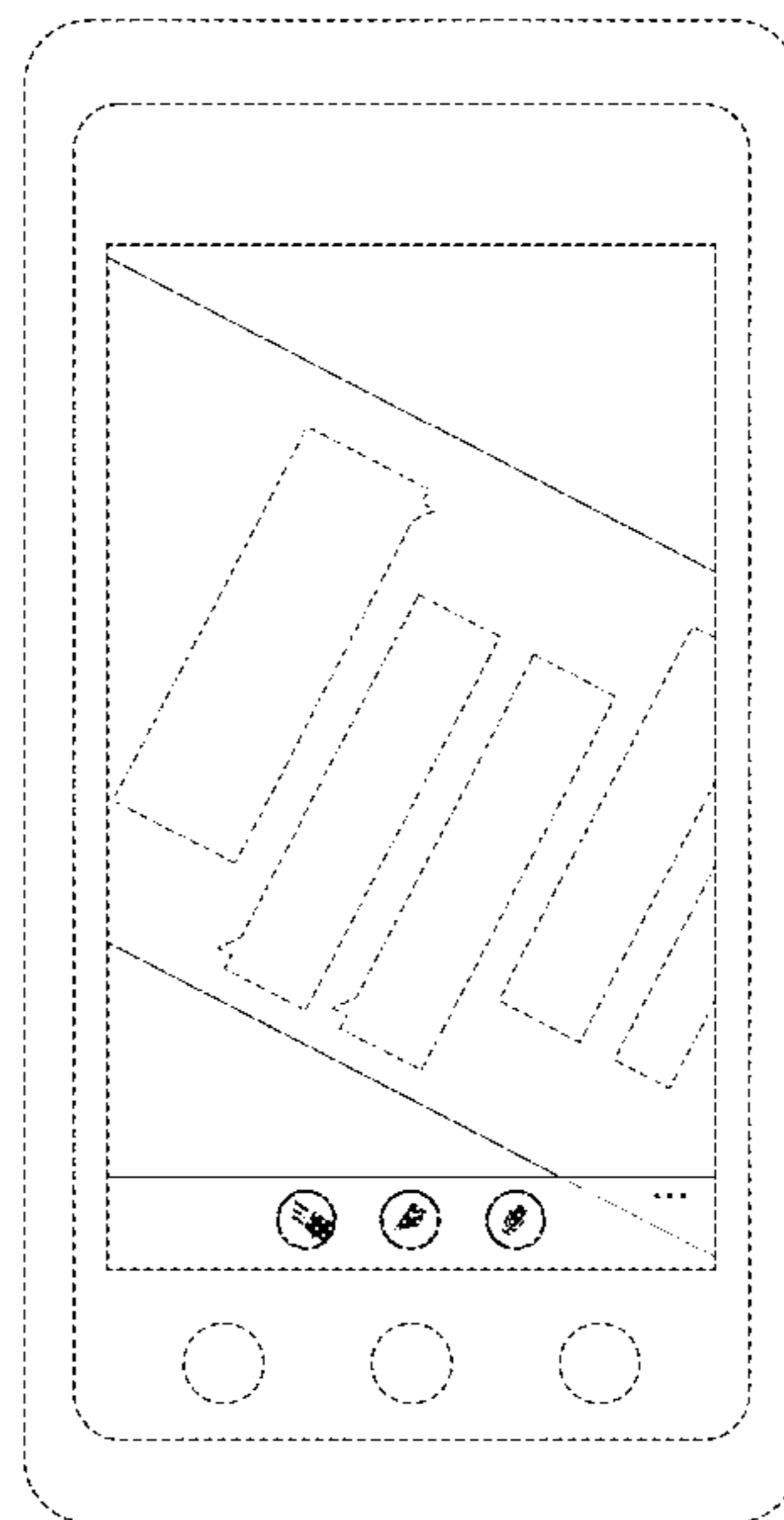
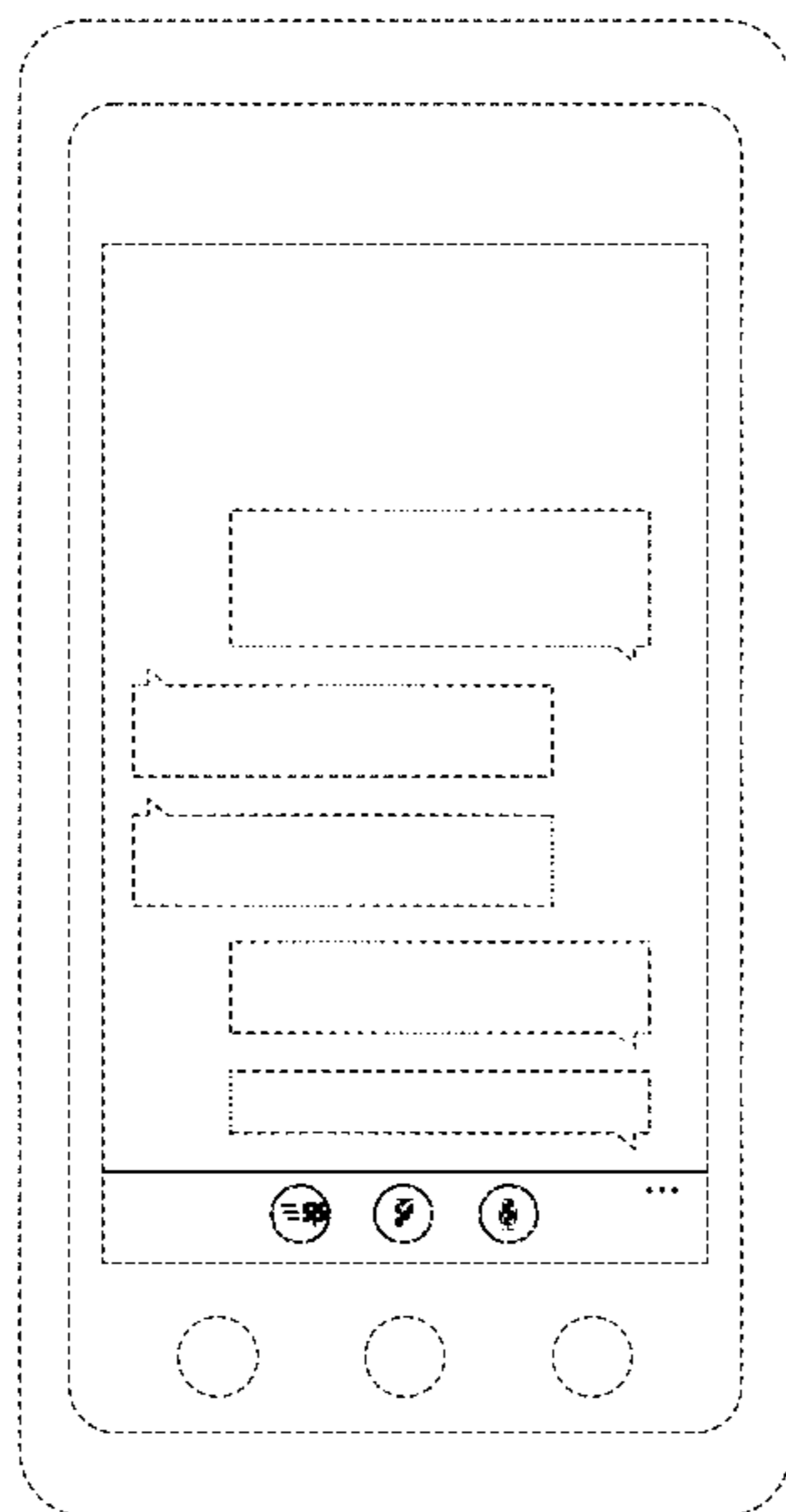
(57) **CLAIM**

The ornamental design for a display screen with animated graphical user interface, as shown and described.

DESCRIPTION

FIG. 1 is the first image in a sequence for a display screen with animated graphical user interface showing the new design; FIG. 2 is the second image thereof; FIG. 3 is the third image thereof; FIG. 4 is the fourth image thereof; FIG. 5 is the fifth image thereof; FIG. 6 is the sixth image thereof; FIG. 7 is the seventh image thereof; and, FIGS. 8-14 show the display screen with animated user interface of FIGS. 1-7 on a device. The appearance of the animated user interface sequentially transitions between the images shown in FIGS. 1-7 and in FIGS. 8-14. The process or period in which one image transitions to another forms no part of the claimed design. The broken line showing of the remainder of the user interface and display screen in FIGS. 1-14 and a device having the display screen in FIGS. 8-14 is for environmental purposes only and forms no part of the claimed design.

1 Claim, 14 Drawing Sheets



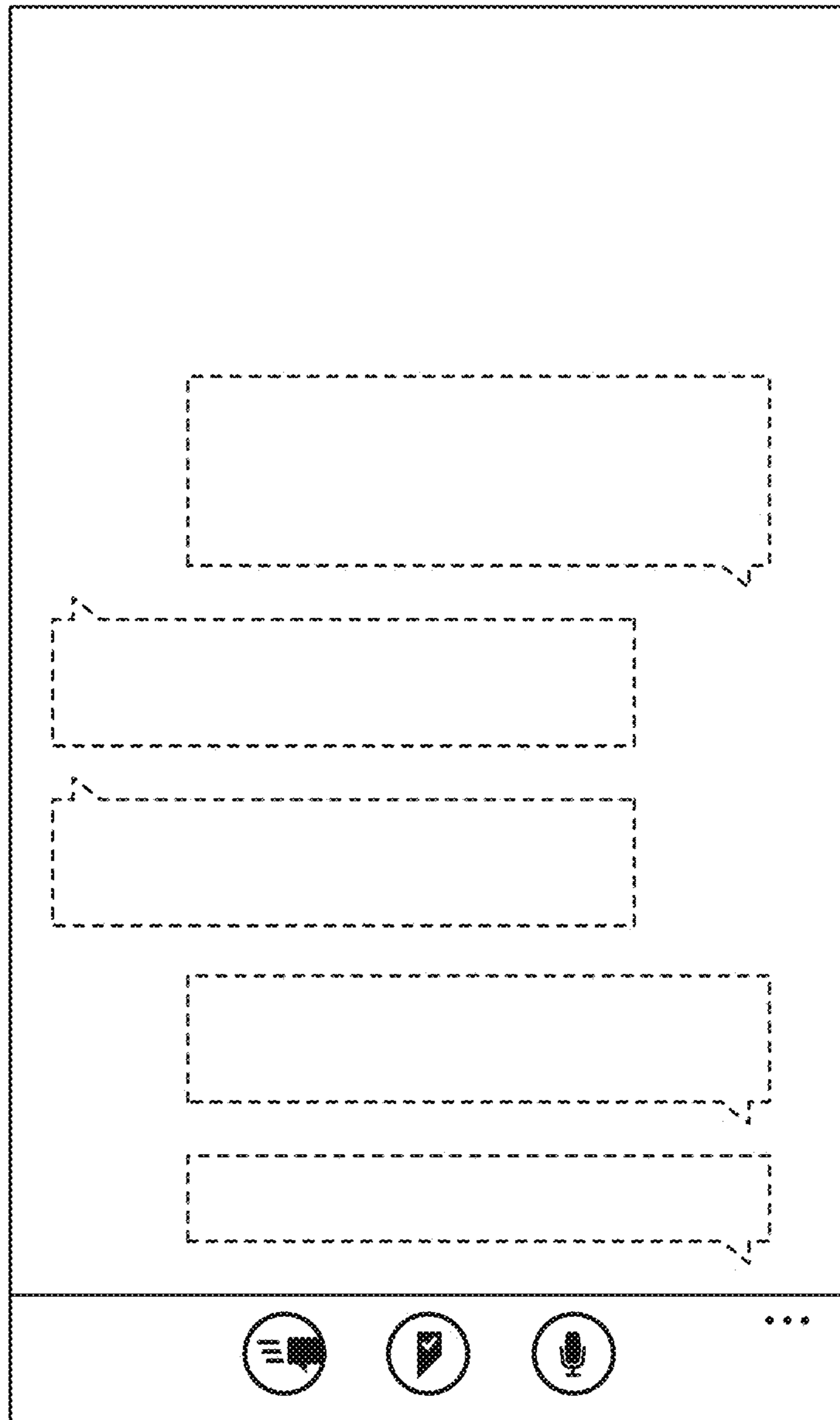


FIG. 1

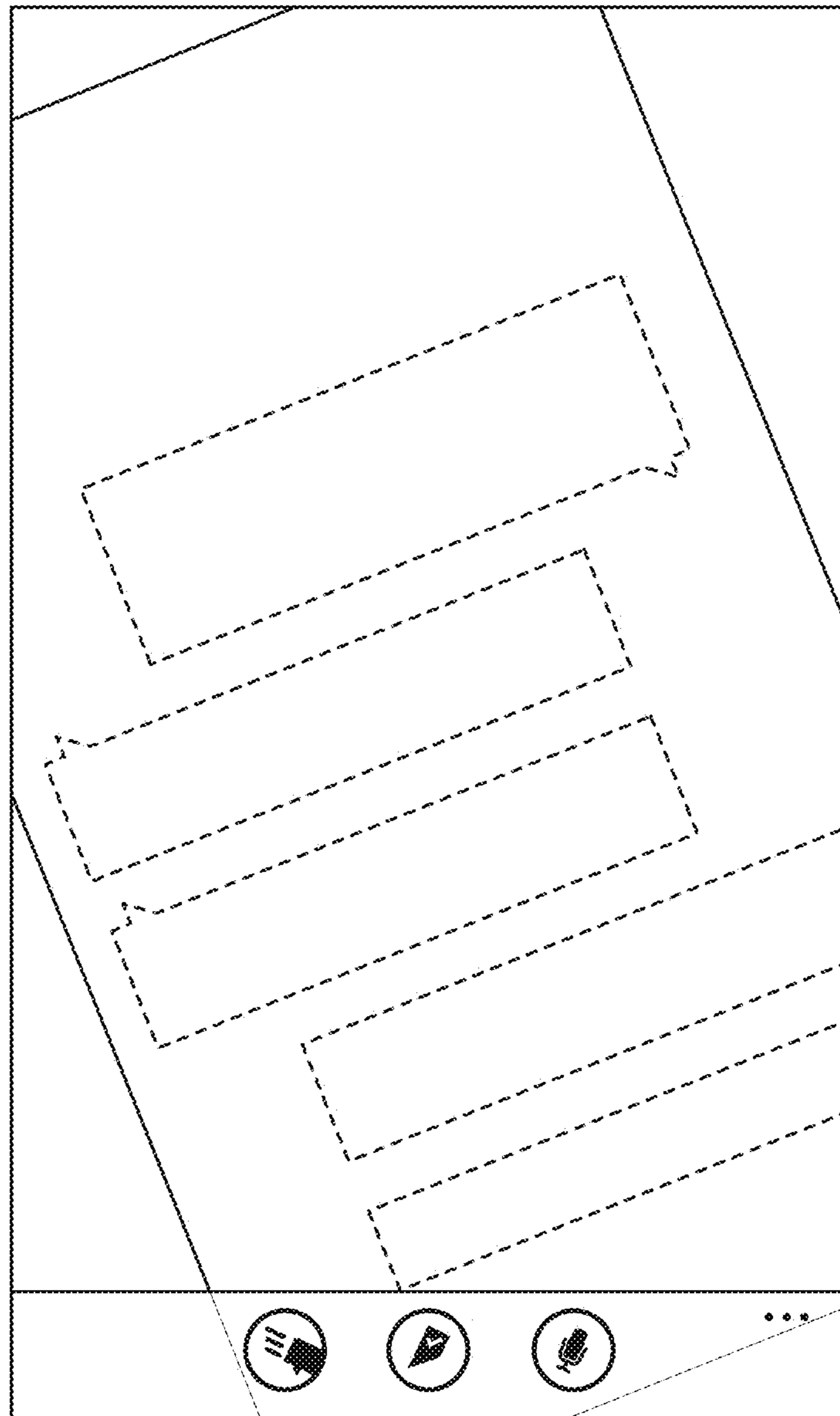


FIG. 2

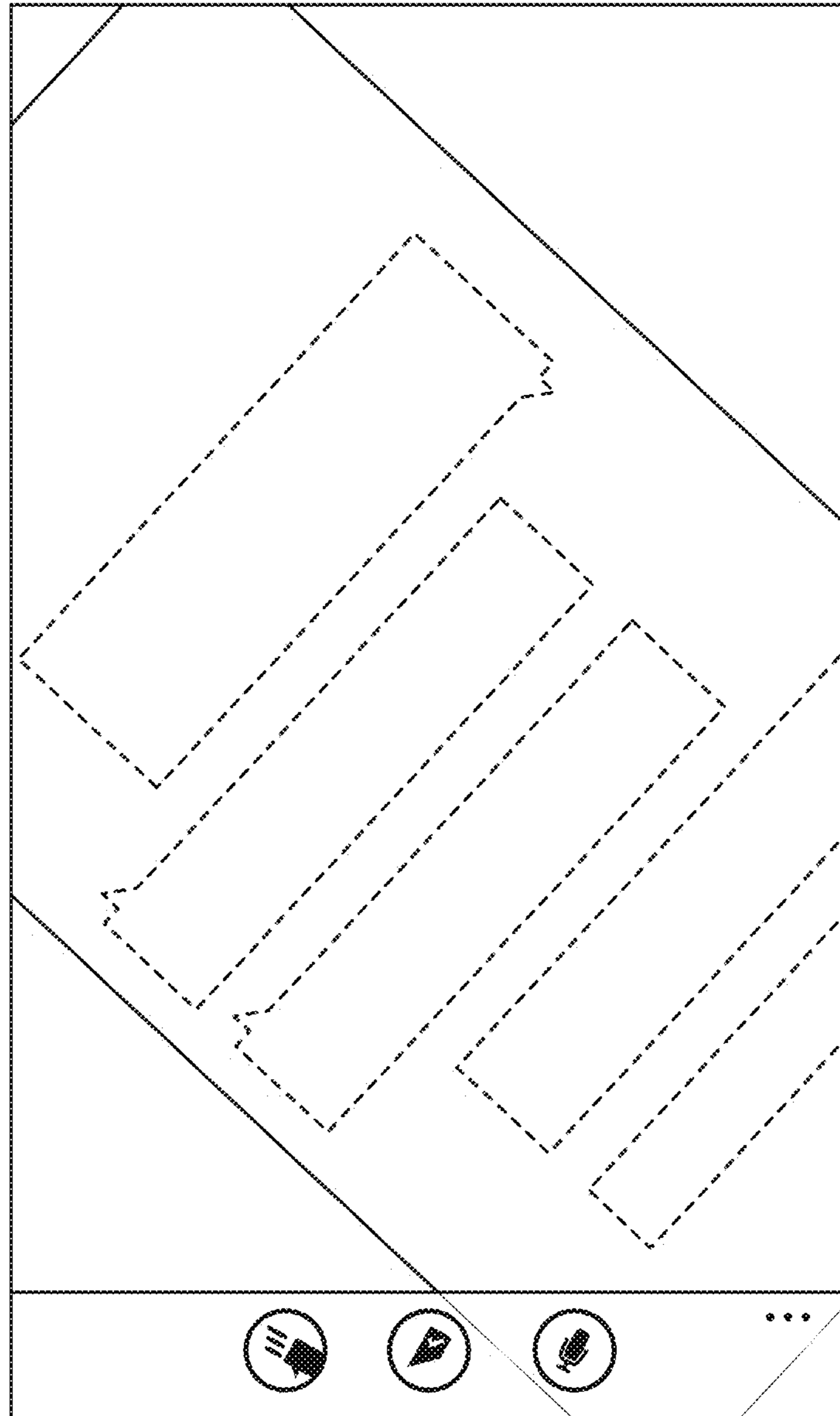


FIG. 3

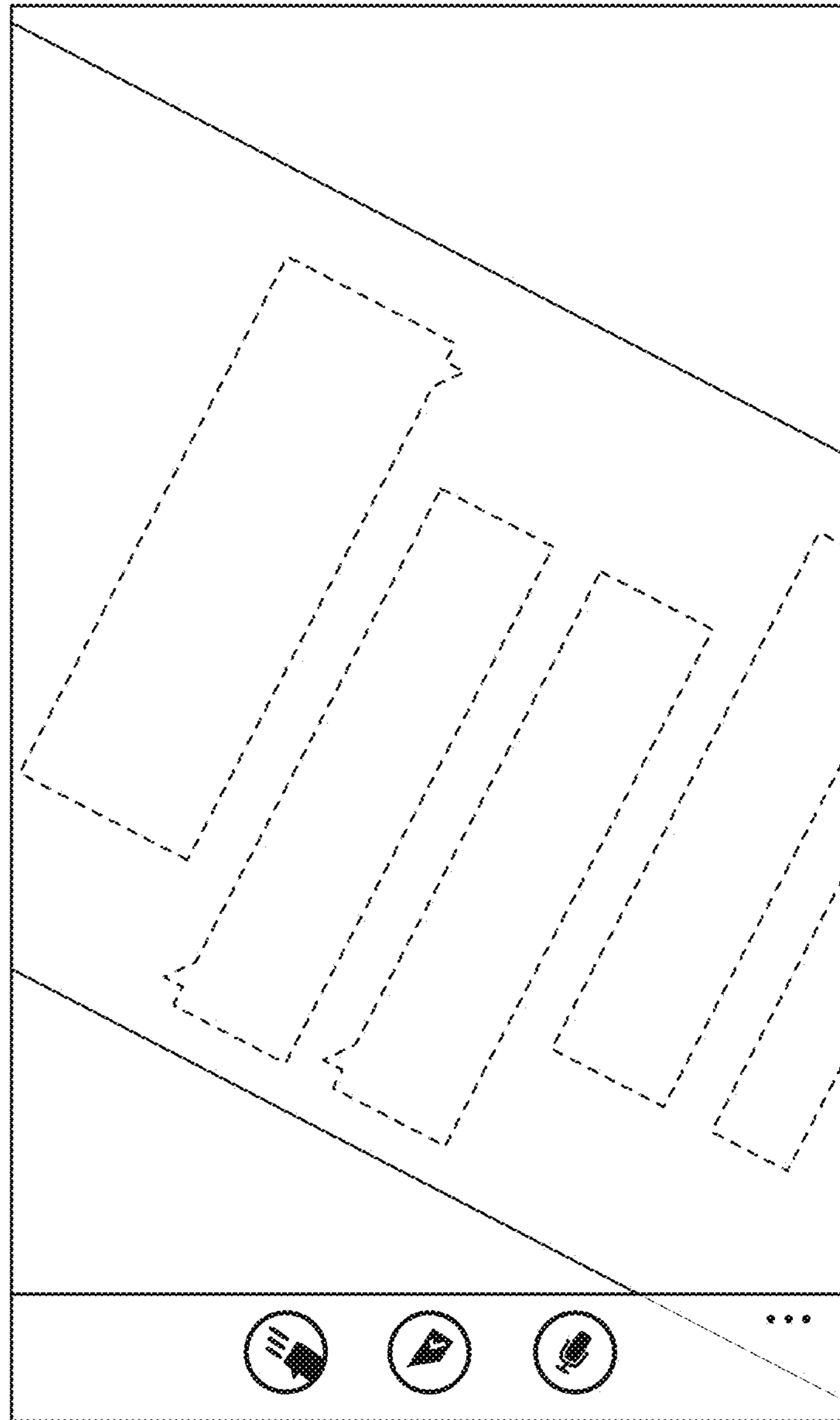


FIG. 4

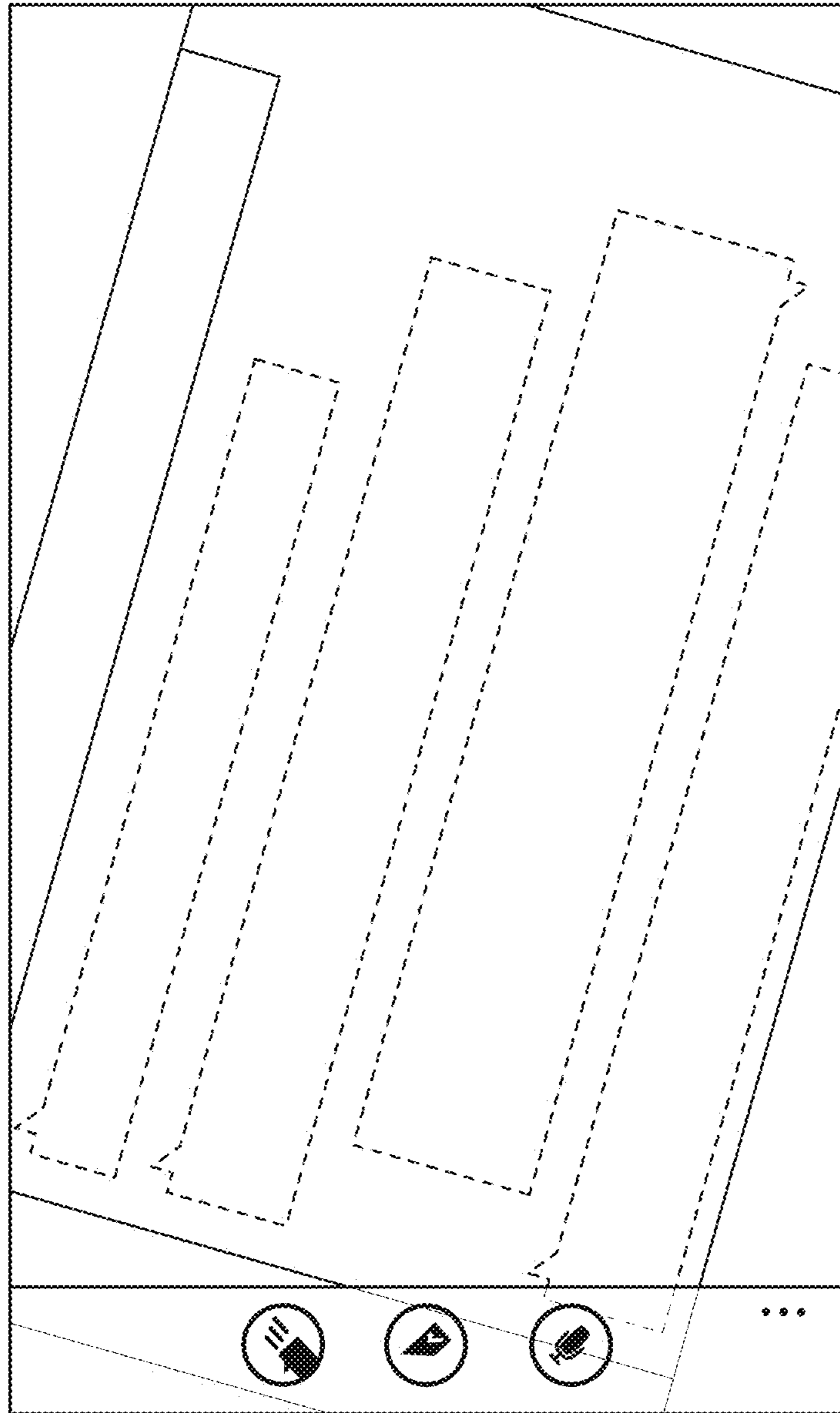


FIG. 5

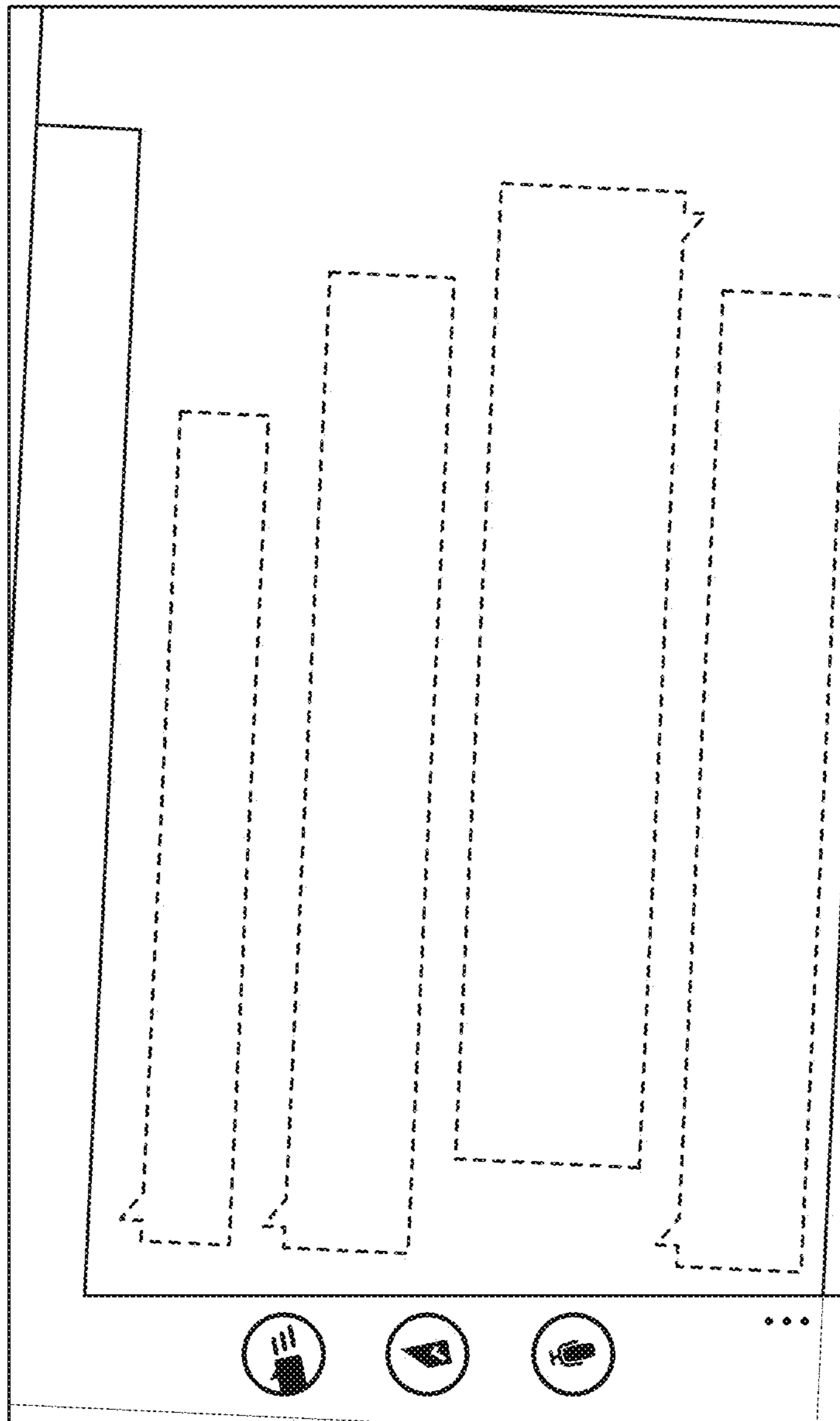


FIG. 6

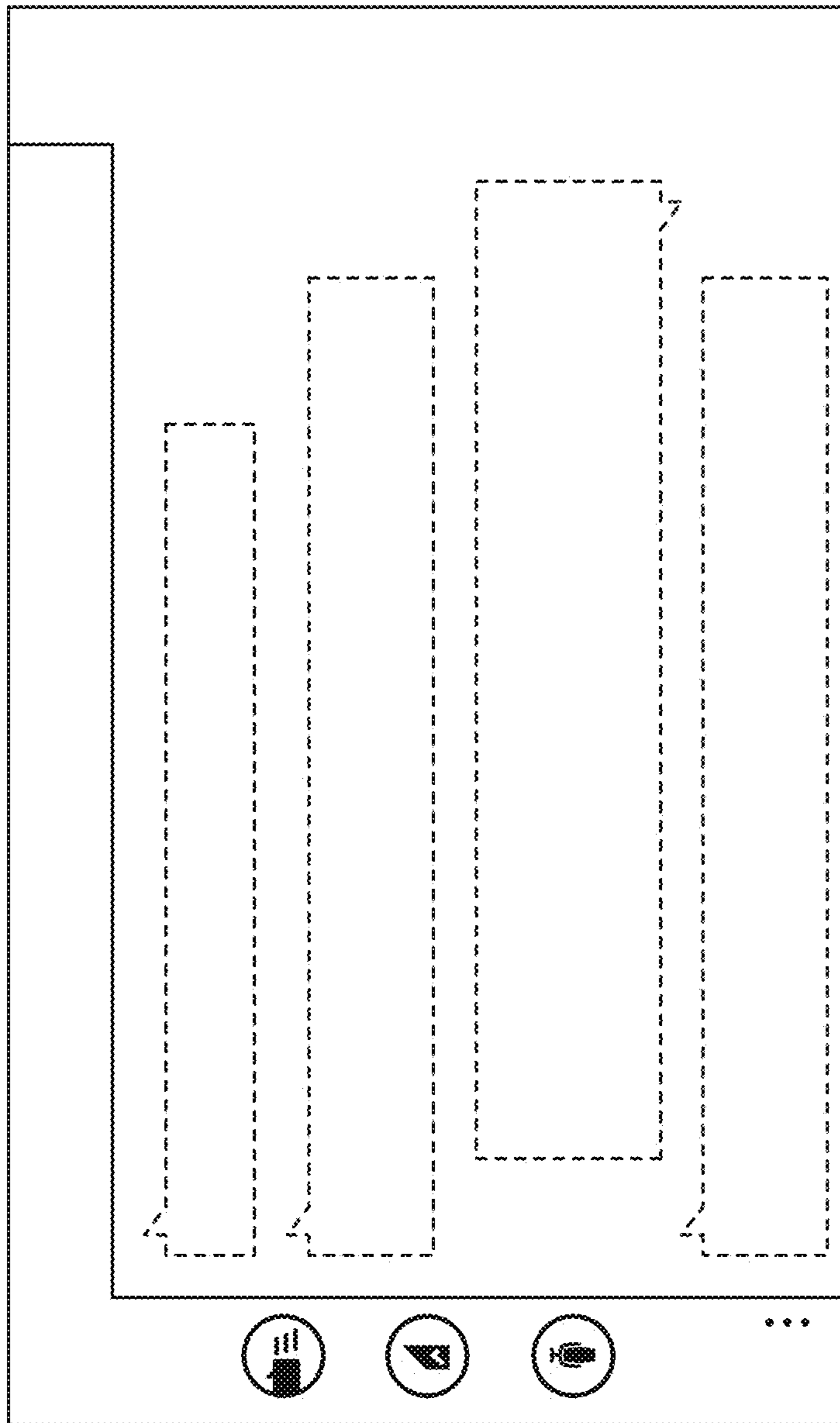


FIG. 7

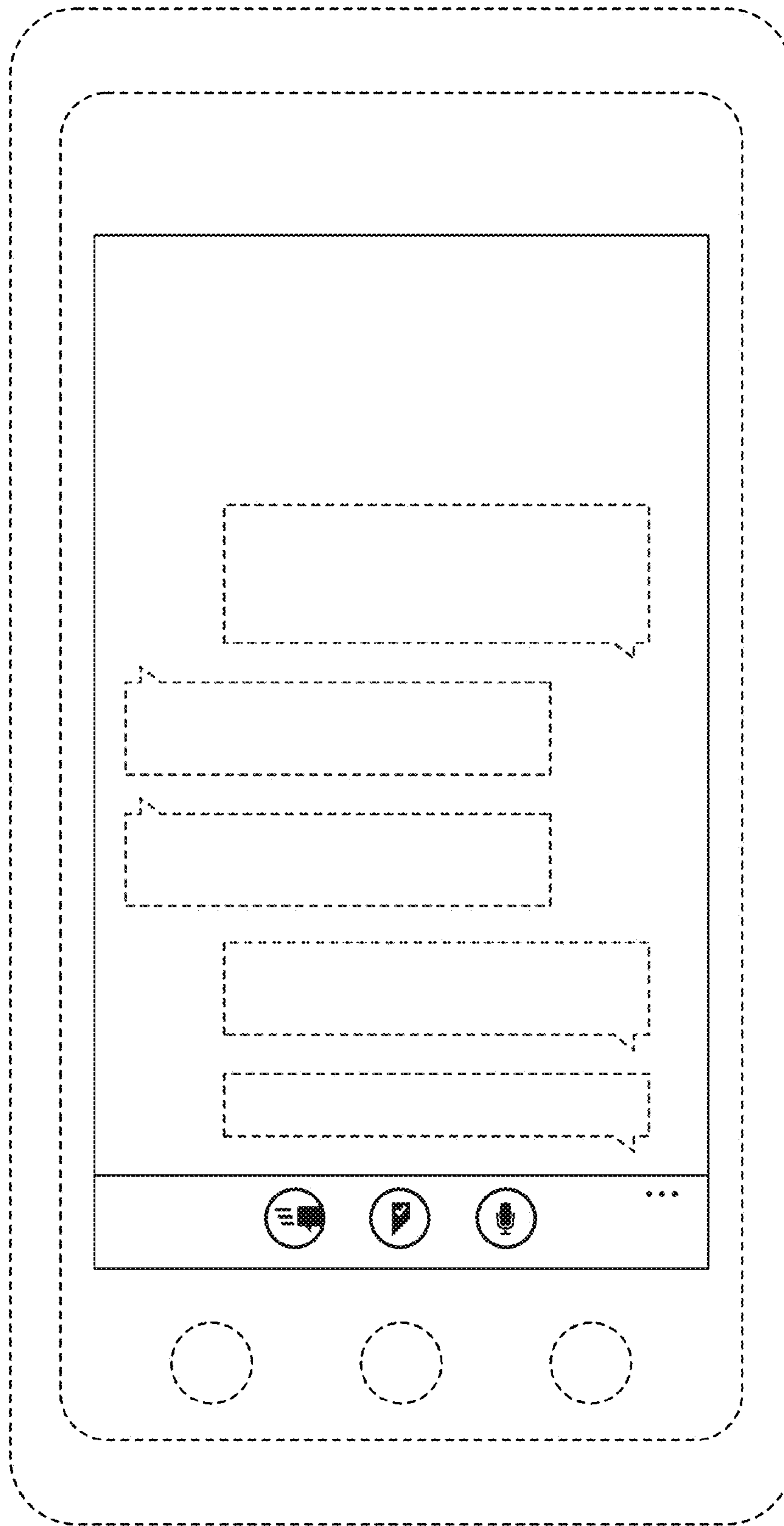


FIG. 8

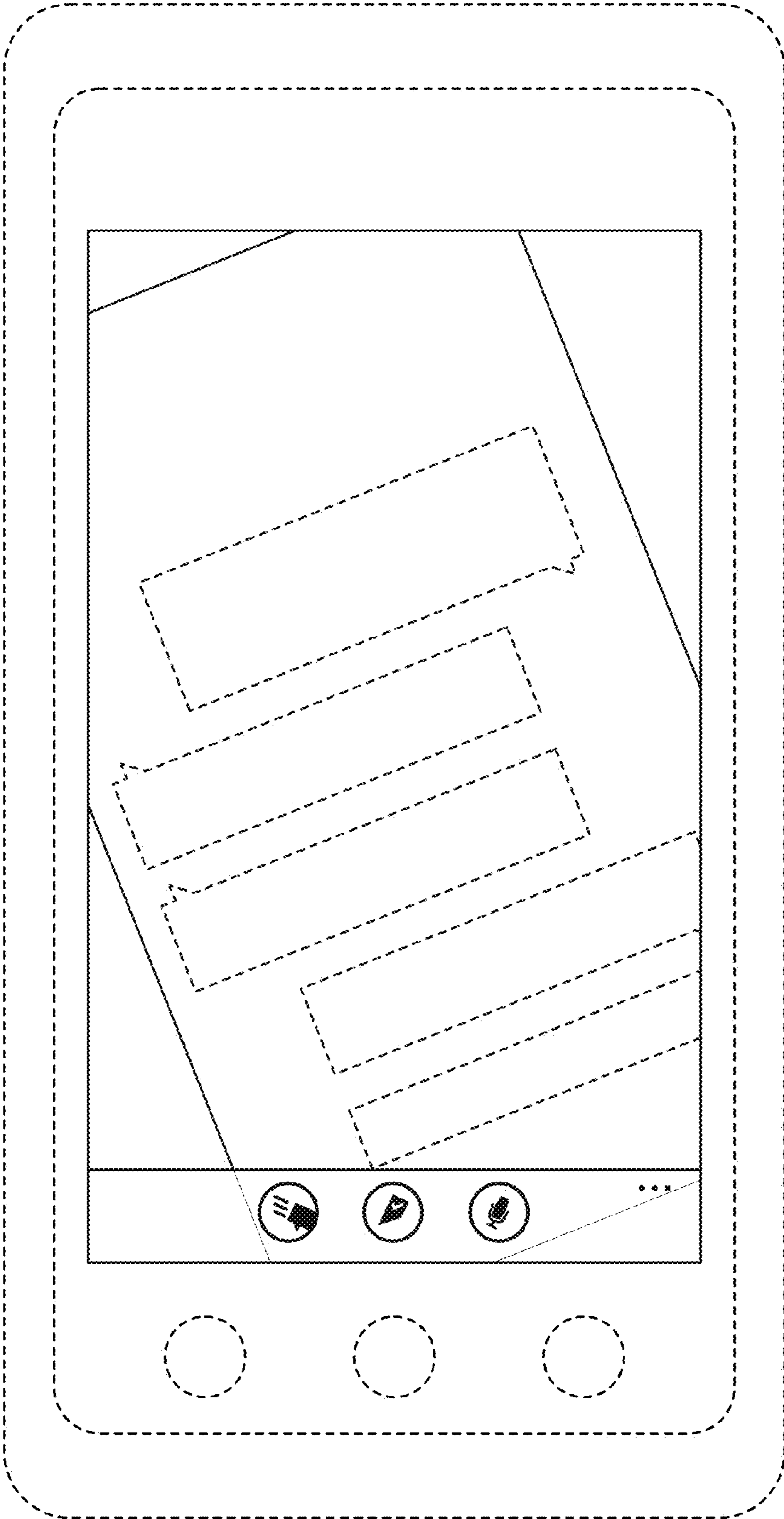


FIG. 9

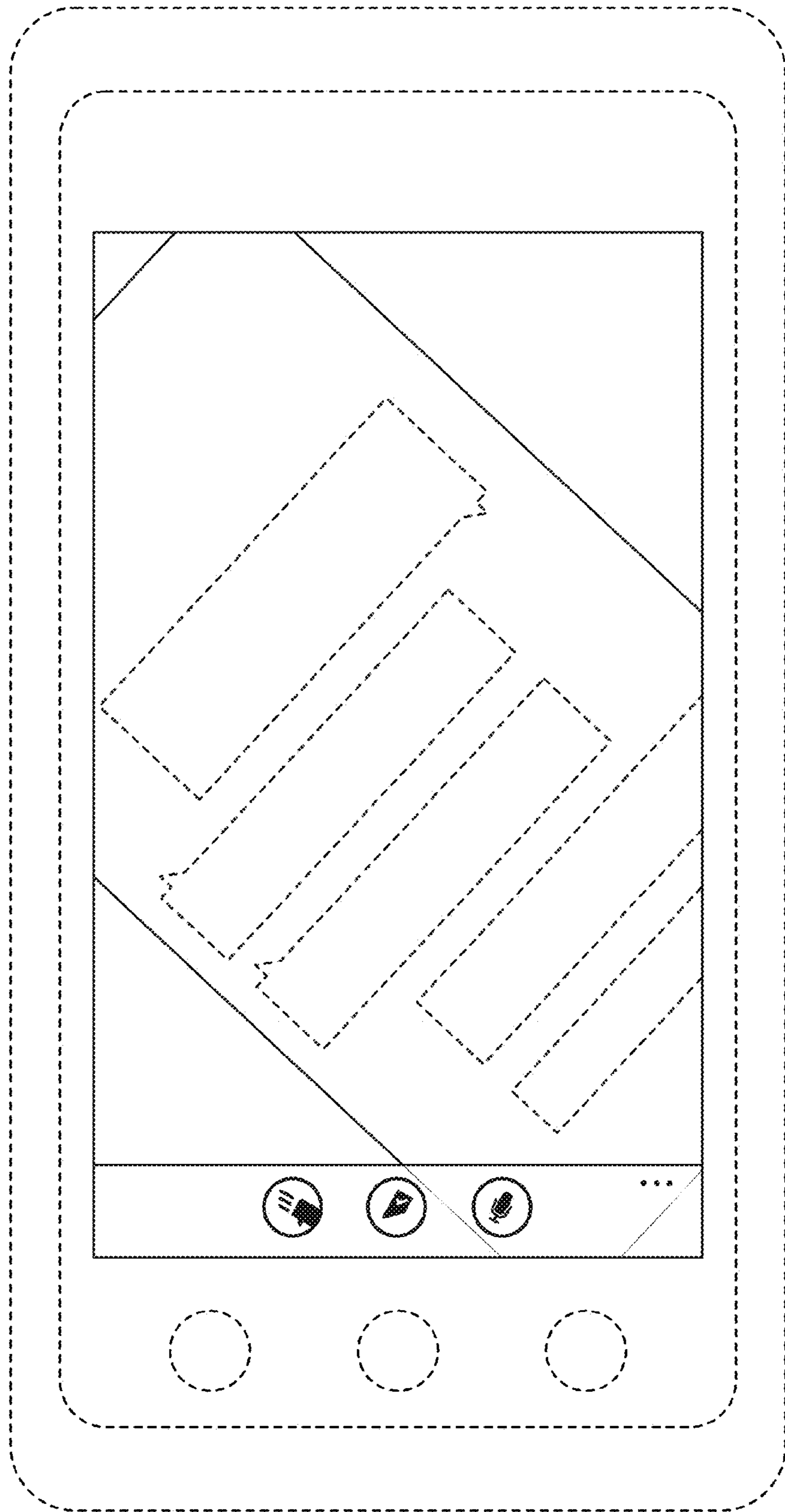


FIG. 10

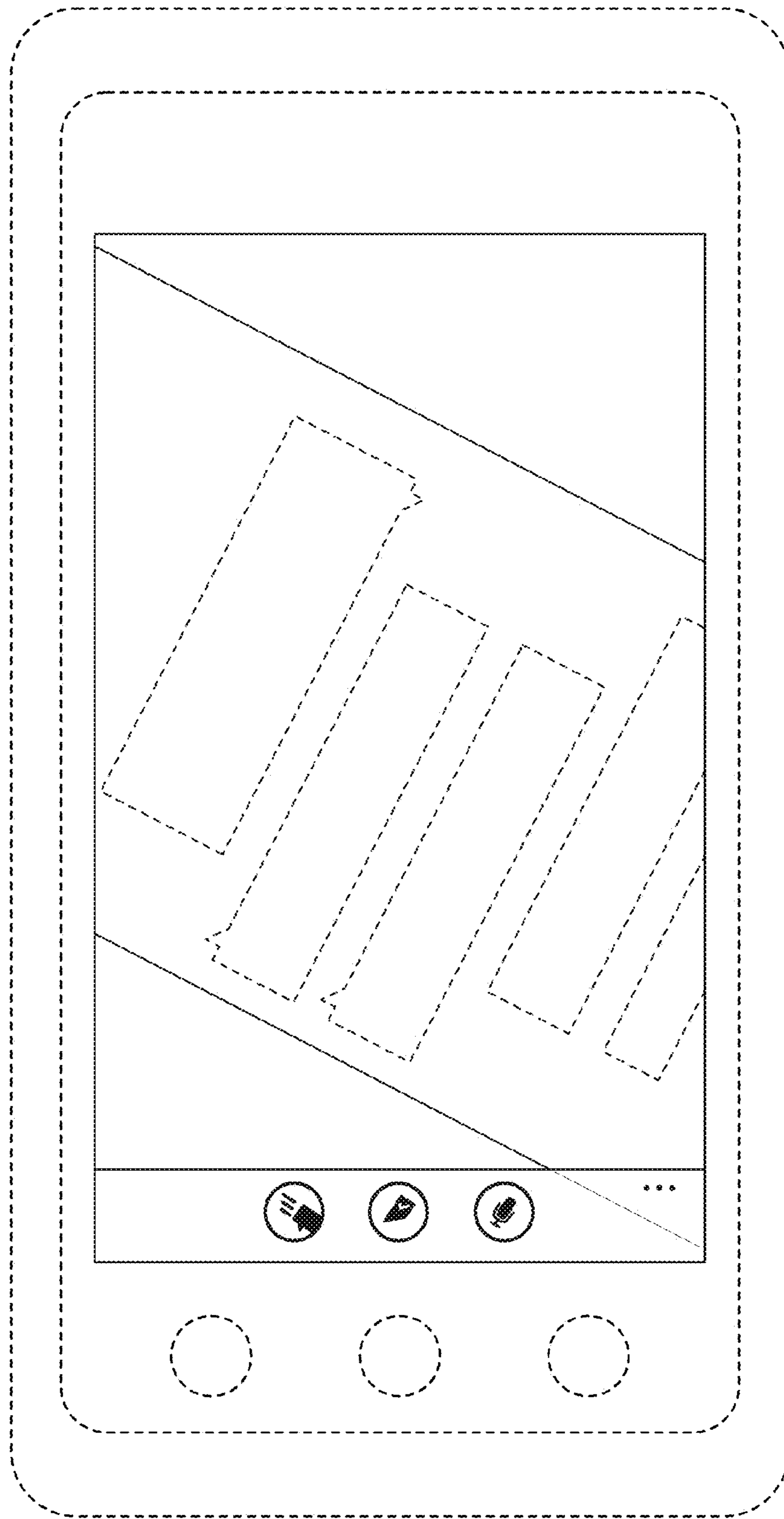


FIG. 11

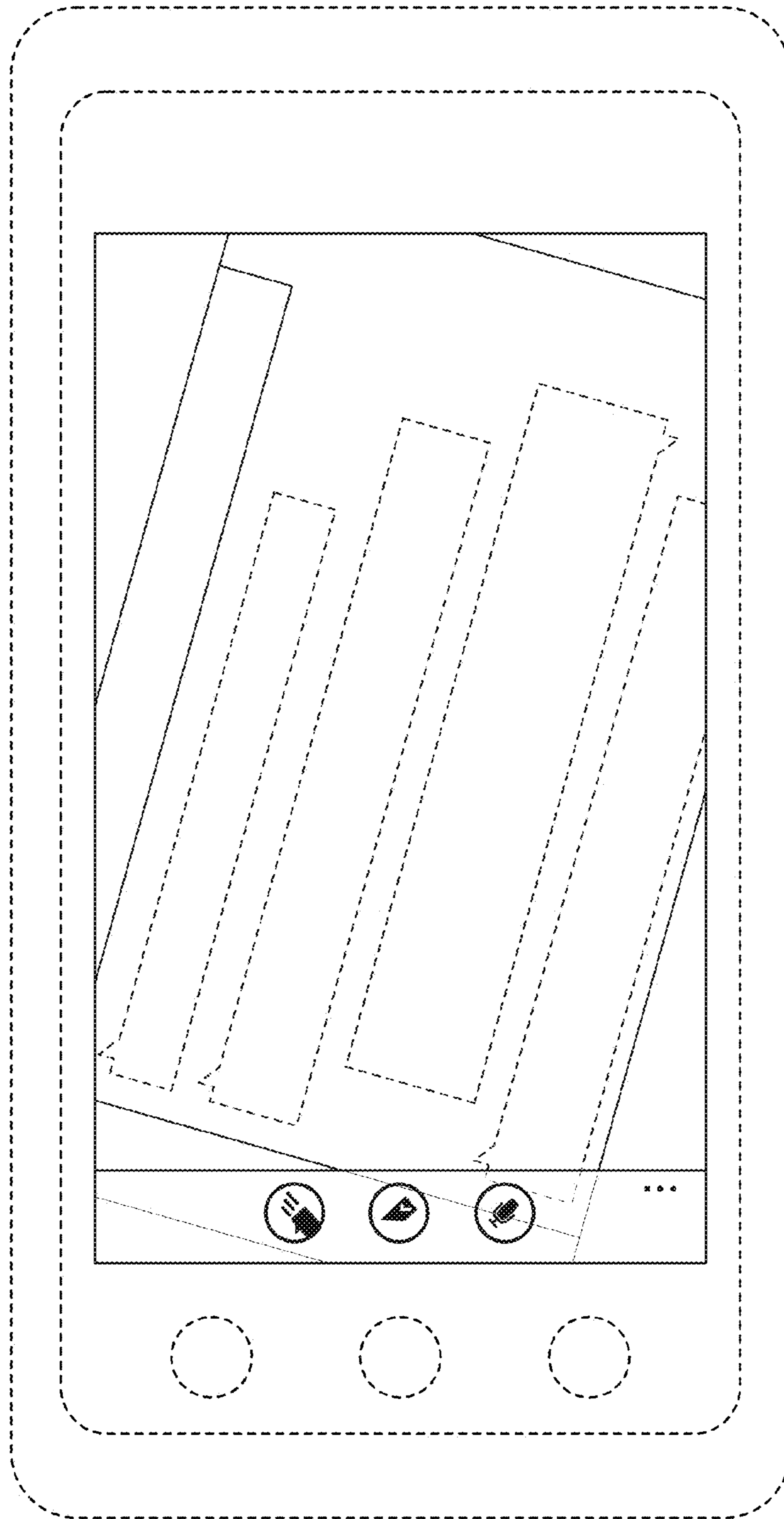


FIG. 12

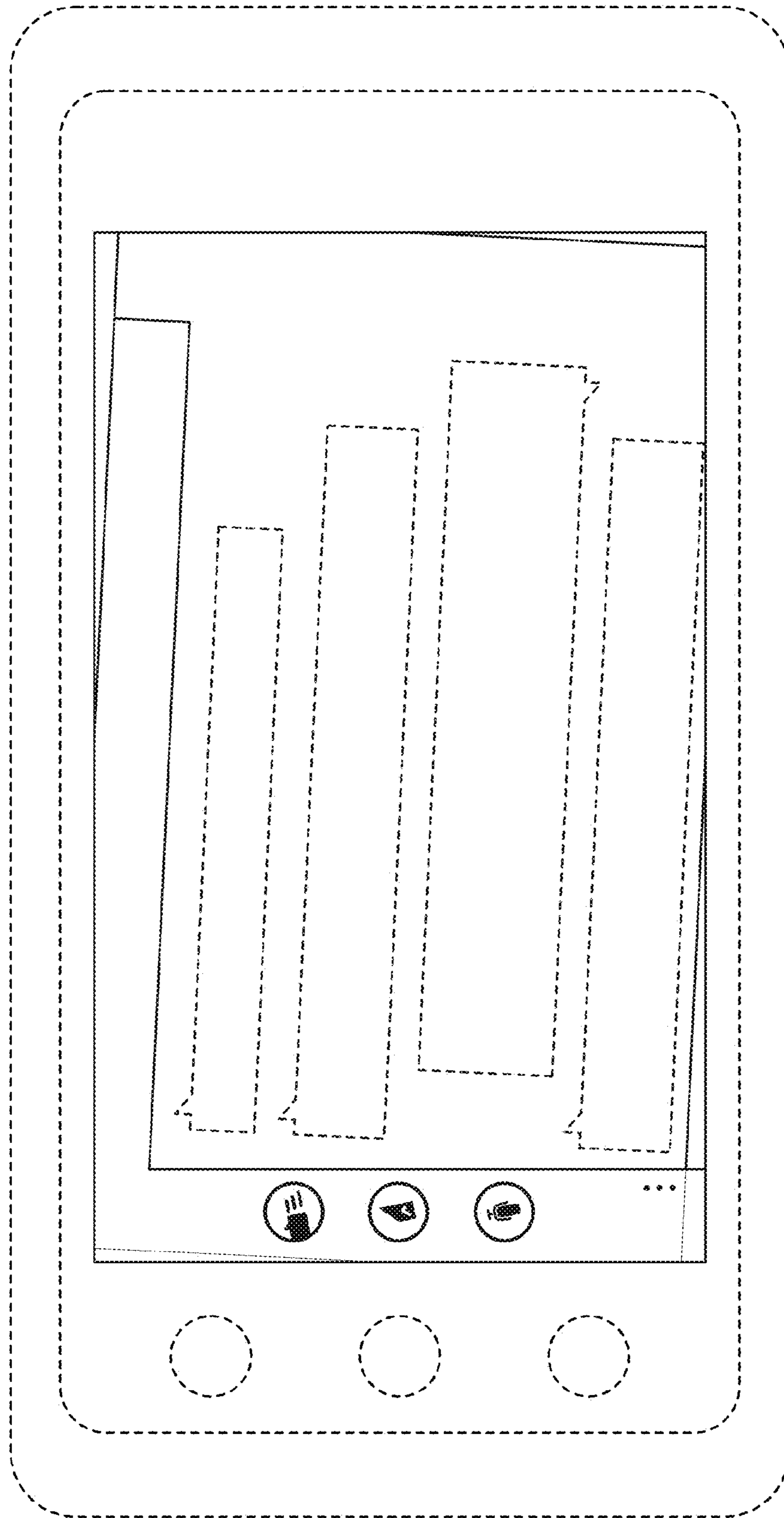


FIG. 13

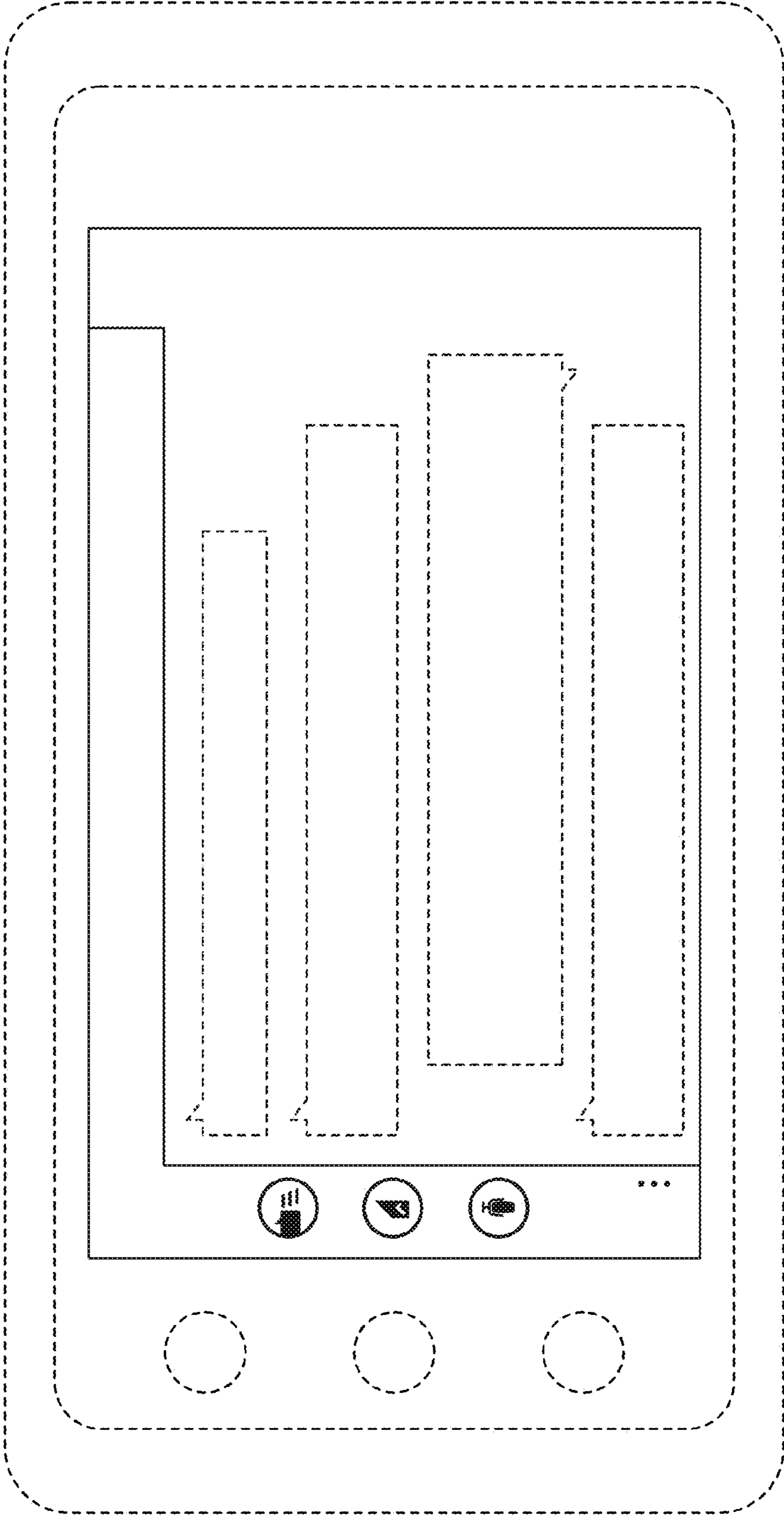


FIG. 14