



US00D687444S

(12) **United States Design Patent**
Jang et al.

(10) **Patent No.:** **US D687,444 S**

(45) **Date of Patent:** **** Aug. 6, 2013**

(54) **DISPLAY SCREEN PORTION WITH ICON**

(75) Inventors: **Chul-Ho Jang**, Seoul (KR); **Hyung-Joo Jin**, Seoul (KR)

(73) Assignee: **Samsung Electronics Co., Ltd.**, Suwon-si (KR)

(**) Term: **14 Years**

(21) Appl. No.: **29/428,768**

(22) Filed: **Aug. 3, 2012**

(30) **Foreign Application Priority Data**

Mar. 29, 2012 (KR) 30-2012-0015005

(51) **LOC (9) Cl.** **14-04**

(52) **U.S. Cl.**
USPC **D14/482**

(58) **Field of Classification Search**
USPC D14/485-495; 715/700, 703, 706,
715/715, 716, 727, 728, 772, 776, 777, 779,
715/810, 825, 834, 835, 836, 837, 838, 839,
715/840, 845, 846, 847, 849, 856, 857, 858,
715/859, 860, 861, 862, 864, 963, 976, 977;
D8/334

See application file for complete search history.

(56) **References Cited**

U.S. PATENT DOCUMENTS

3,952,559 A * 4/1976 Atkinson 70/25
D422,985 S * 4/2000 Bright D14/492
D549,729 S * 8/2007 Jewitt et al. D14/492
D554,146 S * 10/2007 Gusmorino et al. D14/492

D566,129 S * 4/2008 Armstrong et al. D14/489
D597,102 S * 7/2009 Ozzie et al. D14/492
D615,552 S * 5/2010 Baugher et al. D14/493
D615,992 S * 5/2010 Baugher et al. D14/493
D624,928 S * 10/2010 Agnetta et al. D14/487
D629,008 S * 12/2010 Pieratt et al. D14/489
D644,656 S * 9/2011 Maitlen et al. D14/489
D649,159 S * 11/2011 Viggers et al. D14/492
2010/0256864 A1 * 10/2010 Ying 701/33

OTHER PUBLICATIONS

Shiny Lock Icon Design Tutorial, Aug. 11, 2010, <http://www.webiconset.com/shiny-lock-icon-design-tutorial/>.*

* cited by examiner

Primary Examiner — Angela J Lee

(74) *Attorney, Agent, or Firm* — NSIP Law

(57) **CLAIM**

The ornamental design for an display screen portion with icon, as shown and described.

DESCRIPTION

FIG. 1 is a front view of an display screen portion with icon showing my new design; and, FIG. 2 is a front view of the display screen portion with icon of FIG. 1, in which a mobile terminal in broken lines is provided to illustrate an example environment. The broken line drawing of the mobile terminal, and the symbols and otherwise images shown in broken lines in FIG. 2 are for illustrative purposes only and form no part of the claimed design.

1 Claim, 2 Drawing Sheets

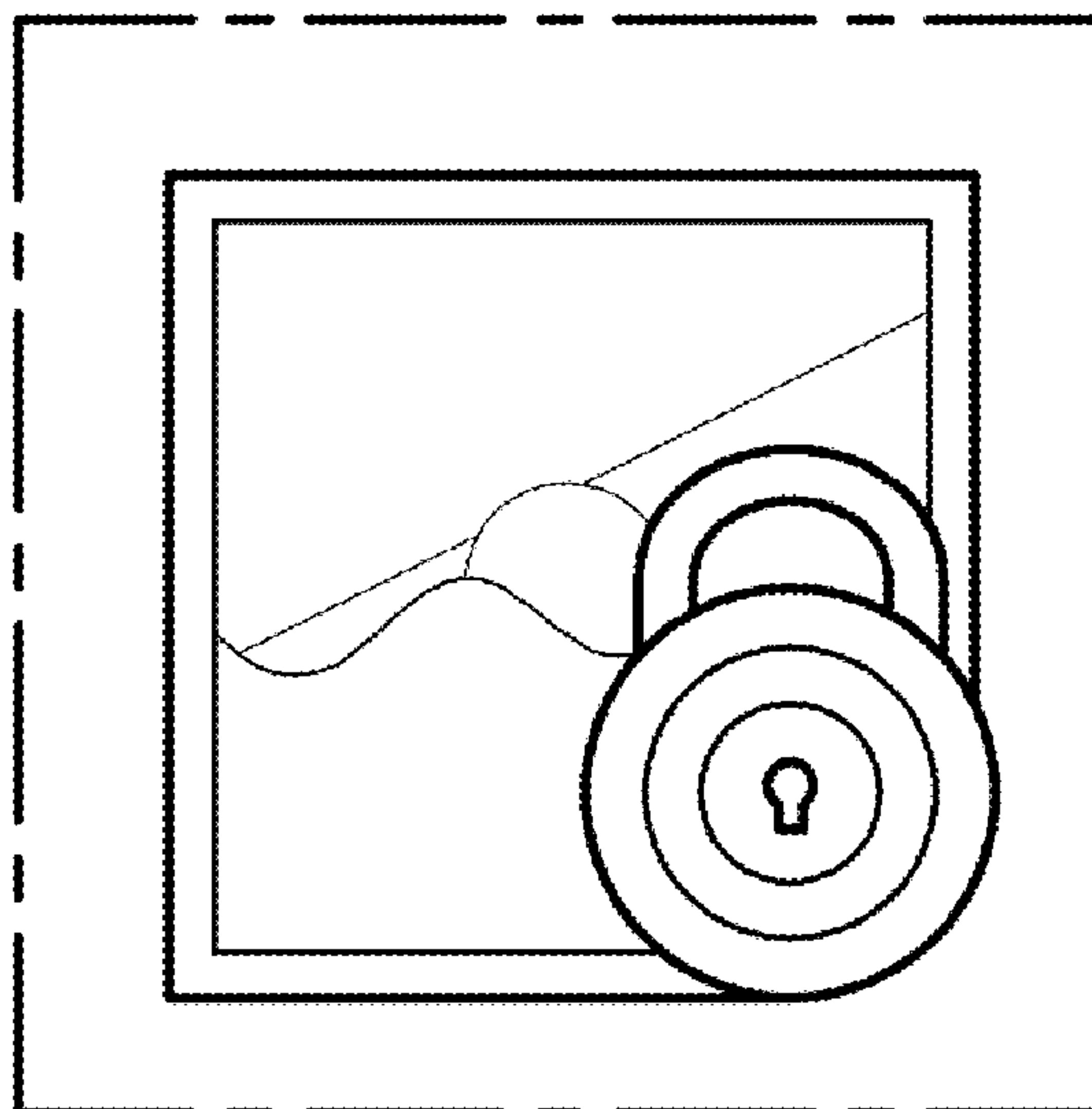


FIG. 1

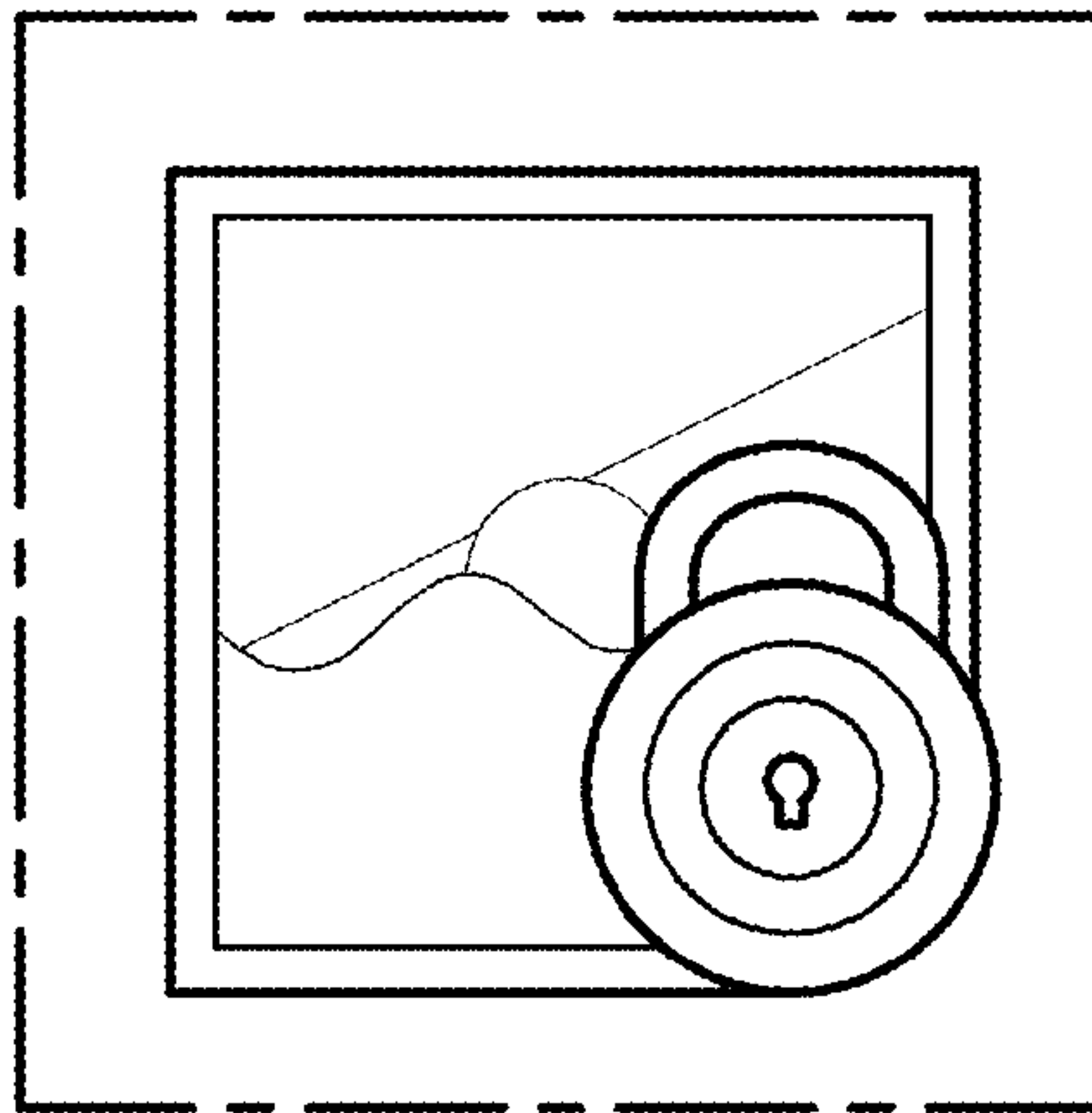


FIG. 2

