



US00D687443S

(12) **United States Design Patent**
Chen et al.

(10) **Patent No.:** **US D687,443 S**
(45) **Date of Patent:** **** Aug. 6, 2013**

(54) **DATA ACCESSING DEVICE**

(75) Inventors: **Ching-Hung Chen**, Hsinchu (TW);
Feng-Sheng Lin, Hsinchu (TW);
Hsi-Ming Tsai, Hsinchu (TW); **Peter**
Leekuo Chou, Fountain Valley, CA (US)

(73) Assignee: **Kingston Digital, Inc.**, Fountain Valley,
CA (US)

(**) Term: **14 Years**

(21) Appl. No.: **29/427,794**

(22) Filed: **Jul. 23, 2012**

(51) **LOC (9) Cl.** **14-02**

(52) **U.S. Cl.**
USPC **D14/480.5**

(58) **Field of Classification Search**
USPC D14/411, 433, 435.1, 436, 480.1–480.7,
D14/484.1, 137, 155, 203.1–203.8, 24, 218;
D13/133, 154; 361/679.31, 679.33, 679.4,
361/752; 439/131, 135–147; 710/300, 301;
711/100, 115

See application file for complete search history.

(56) **References Cited**

U.S. PATENT DOCUMENTS

D425,487	S	*	5/2000	Lee	D13/154
D490,814	S	*	6/2004	Kim	D14/480.5
7,153,148	B2	*	12/2006	Chen et al.	439/141
D543,202	S	*	5/2007	Siu	D14/480.5
D547,311	S	*	7/2007	Chen et al.	D14/480.7
D583,374	S	*	12/2008	Otsuka	D14/480.5
D605,198	S	*	12/2009	Otsuka et al.	D14/480.5
D607,462	S	*	1/2010	Chen	D14/480.5
D612,859	S	*	3/2010	Bridge et al.	D14/480.5
D624,923	S	*	10/2010	Lu	D14/480.5

D660,859	S	*	5/2012	Lin et al.	D14/480.7
D673,164	S	*	12/2012	Lin et al.	D14/480.5
D677,672	S	*	3/2013	Lin et al.	D14/480.7

OTHER PUBLICATIONS

Fastest Five USB Flash Drives: Kingston, [online] posted Jan. 4, 2012 [retrieved on Aug. 6, 2012]. Retrieved from the Internet <URL: <http://www.etechnology.com/2012/01/04/fastest-five-usb-flash-drives.html>>.*

* cited by examiner

Primary Examiner — Karen E Kearney

(74) *Attorney, Agent, or Firm* — Morris Manning & Martin LLP; Tim Tingkang Xia, Esq.

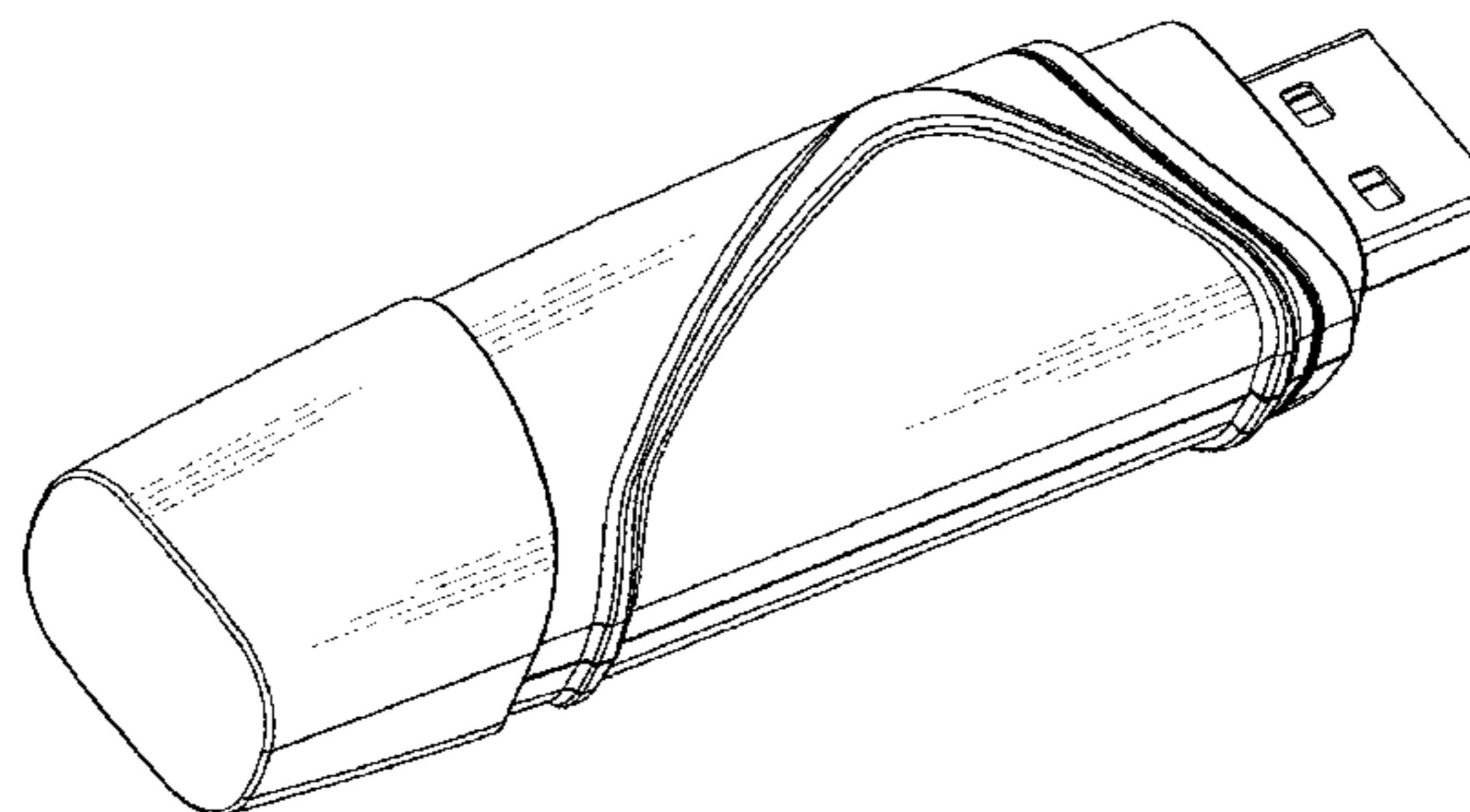
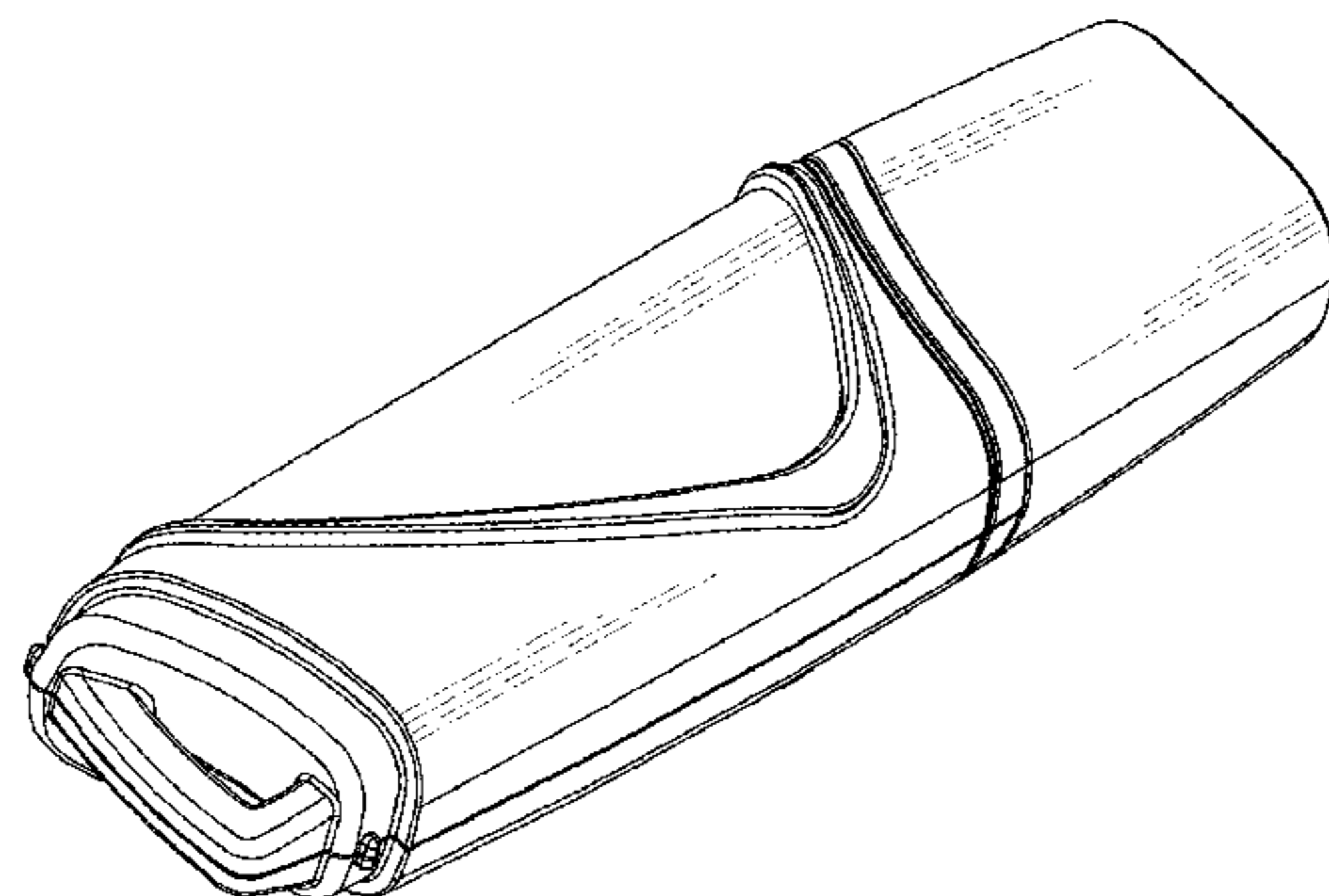
(57) **CLAIM**

The ornamental design for a data accessing device, as shown and described.

DESCRIPTION

FIG. 1 is a perspective view of a data accessing device showing the claimed design;
FIG. 2 is another perspective view of FIG. 1;
FIG. 3 is a front elevational view of FIG. 1;
FIG. 4 is a rear elevational view of FIG. 1;
FIG. 5 is a left side elevational view of FIG. 1;
FIG. 6 is a right side elevational view of FIG. 1;
FIG. 7 is a top plan view FIG. 1;
FIG. 8 is a bottom plan view FIG. 1;
FIG. 9 is a perspective view showing the data accessing device in a usage state;
FIG. 10 is another perspective view of FIG. 9;
FIG. 11 is a perspective view showing the data accessing device in another usage state; and,
FIG. 12 is another perspective view of FIG. 11.

1 Claim, 8 Drawing Sheets



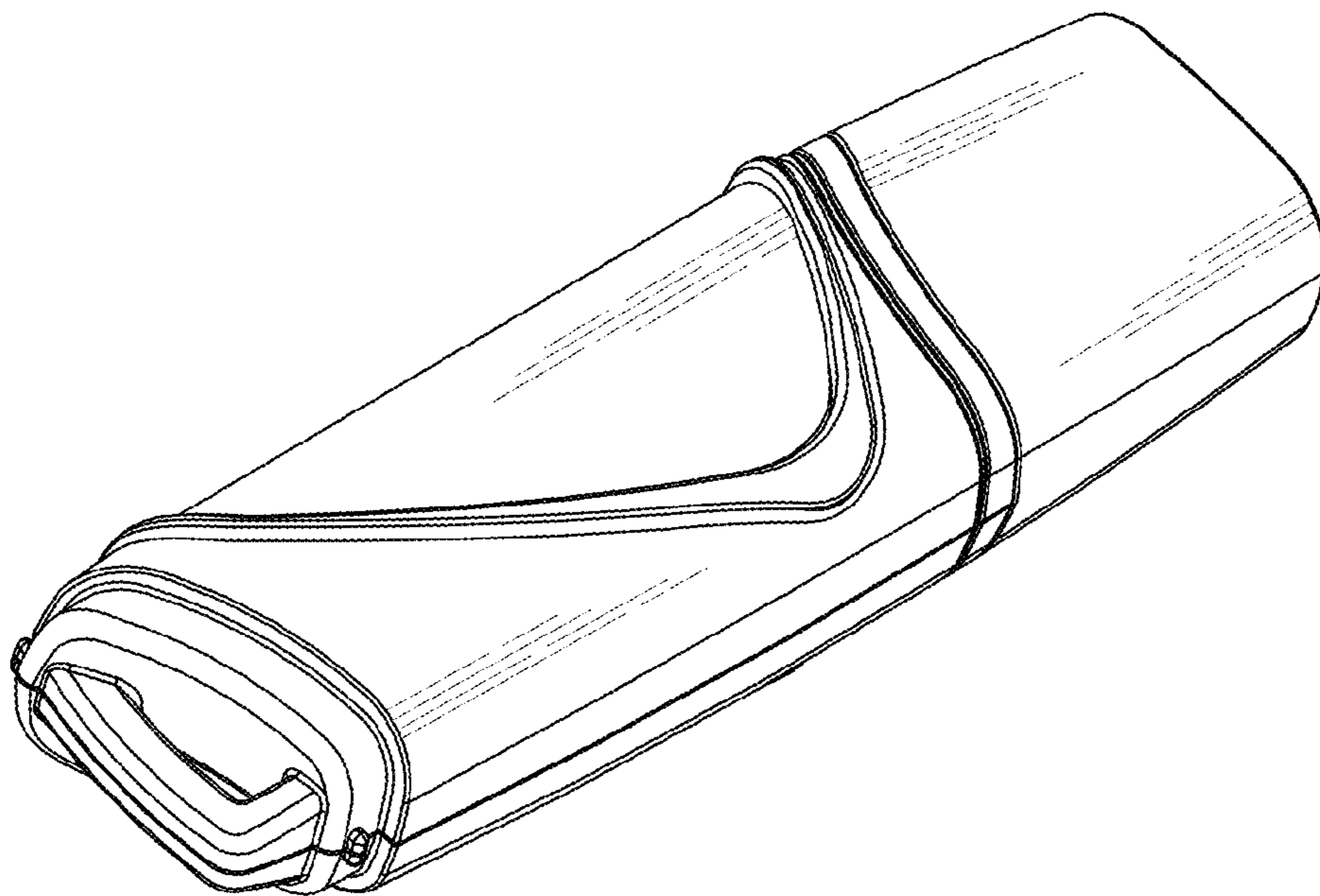


FIG.1

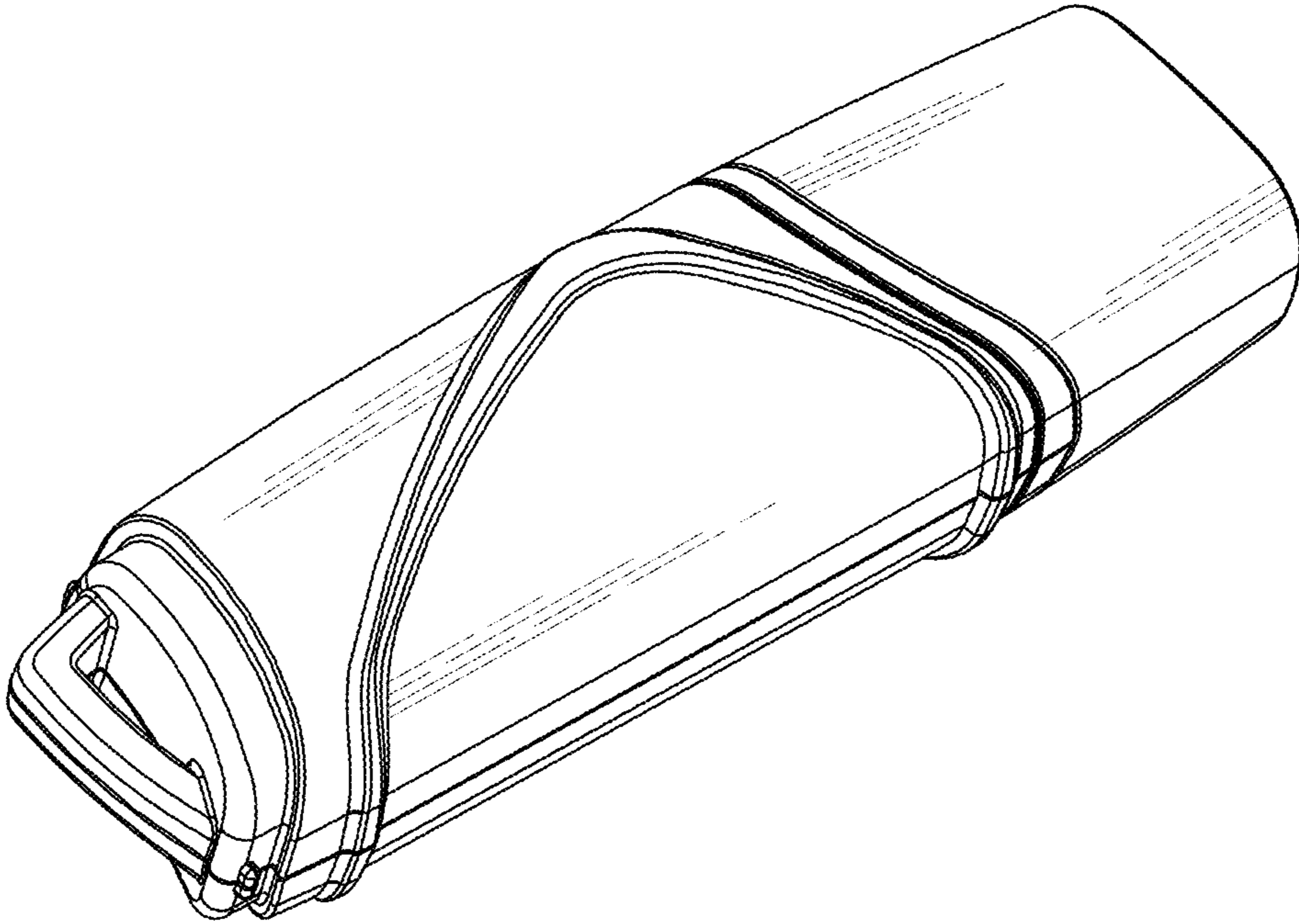


FIG.2

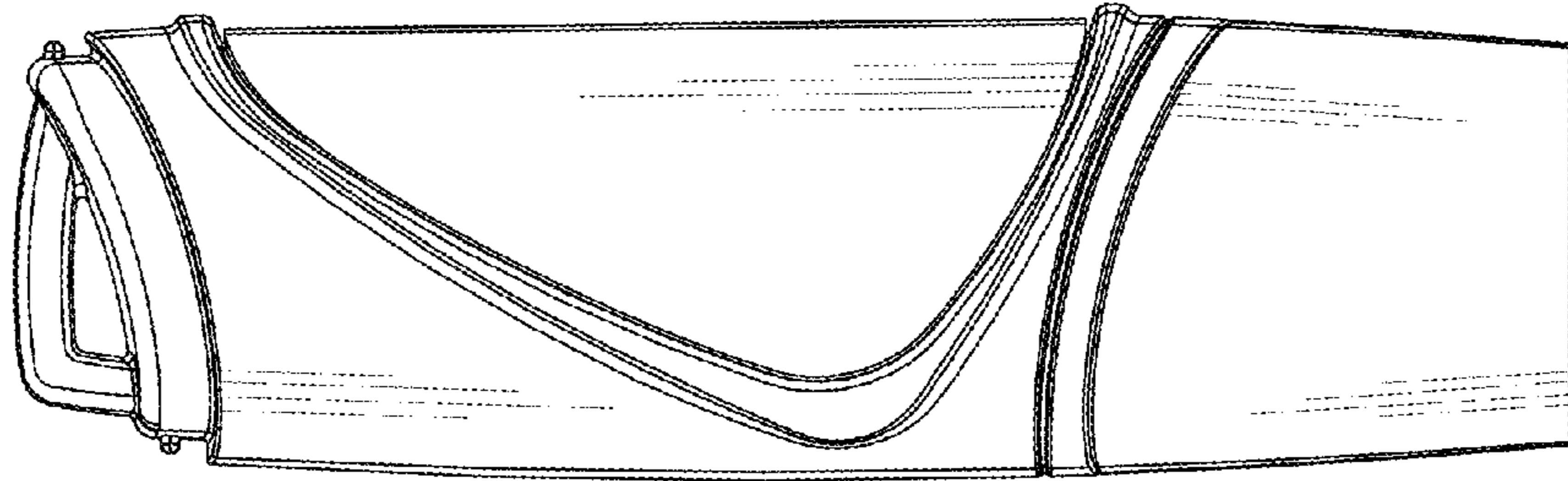


FIG. 3

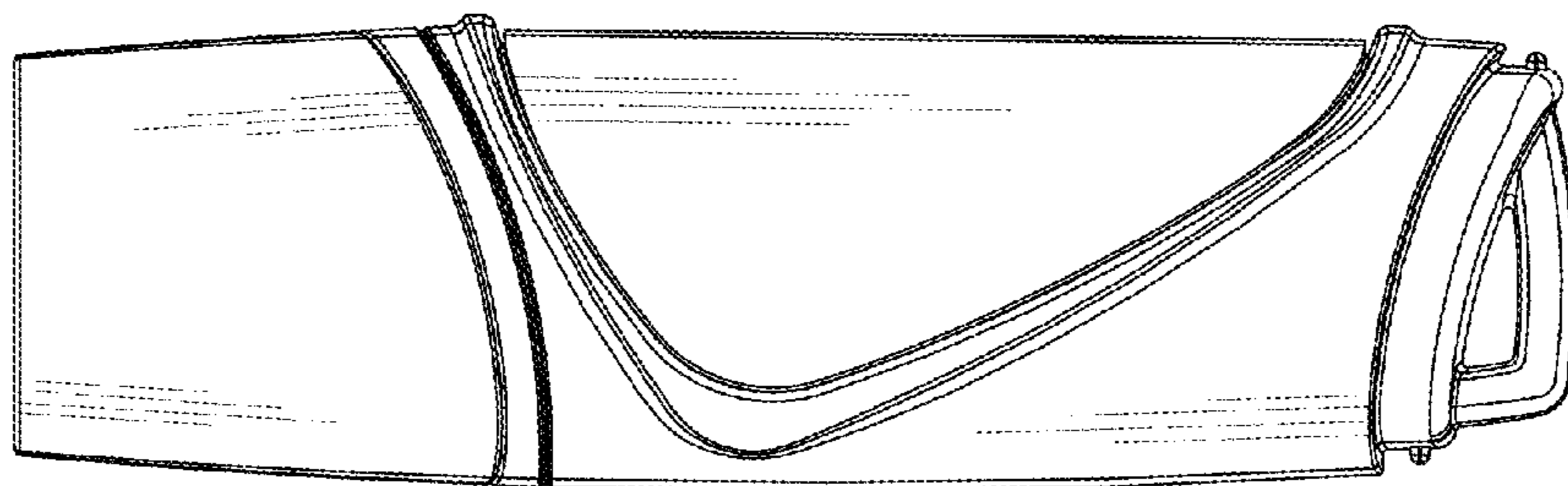


FIG. 4

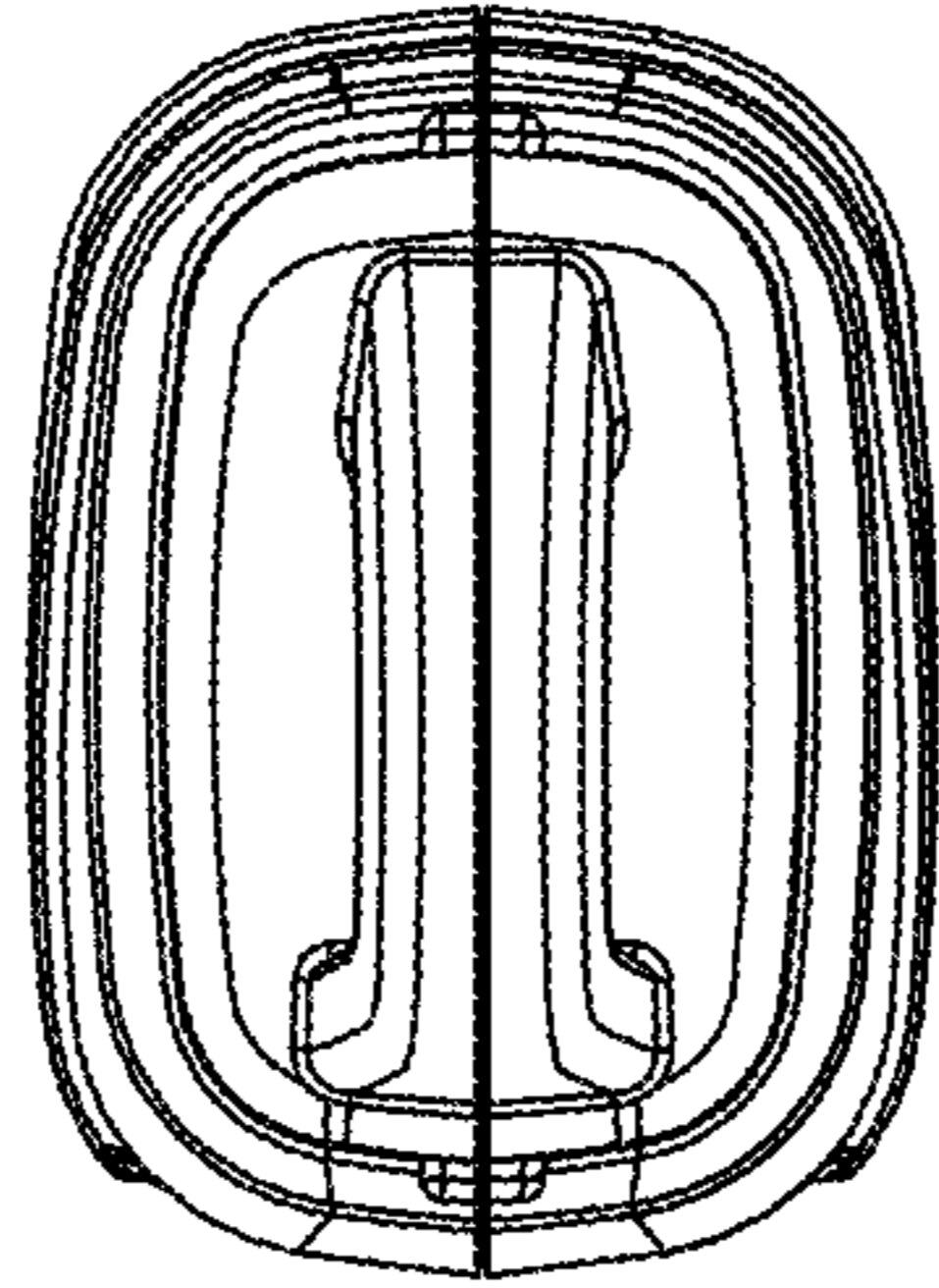


FIG. 5

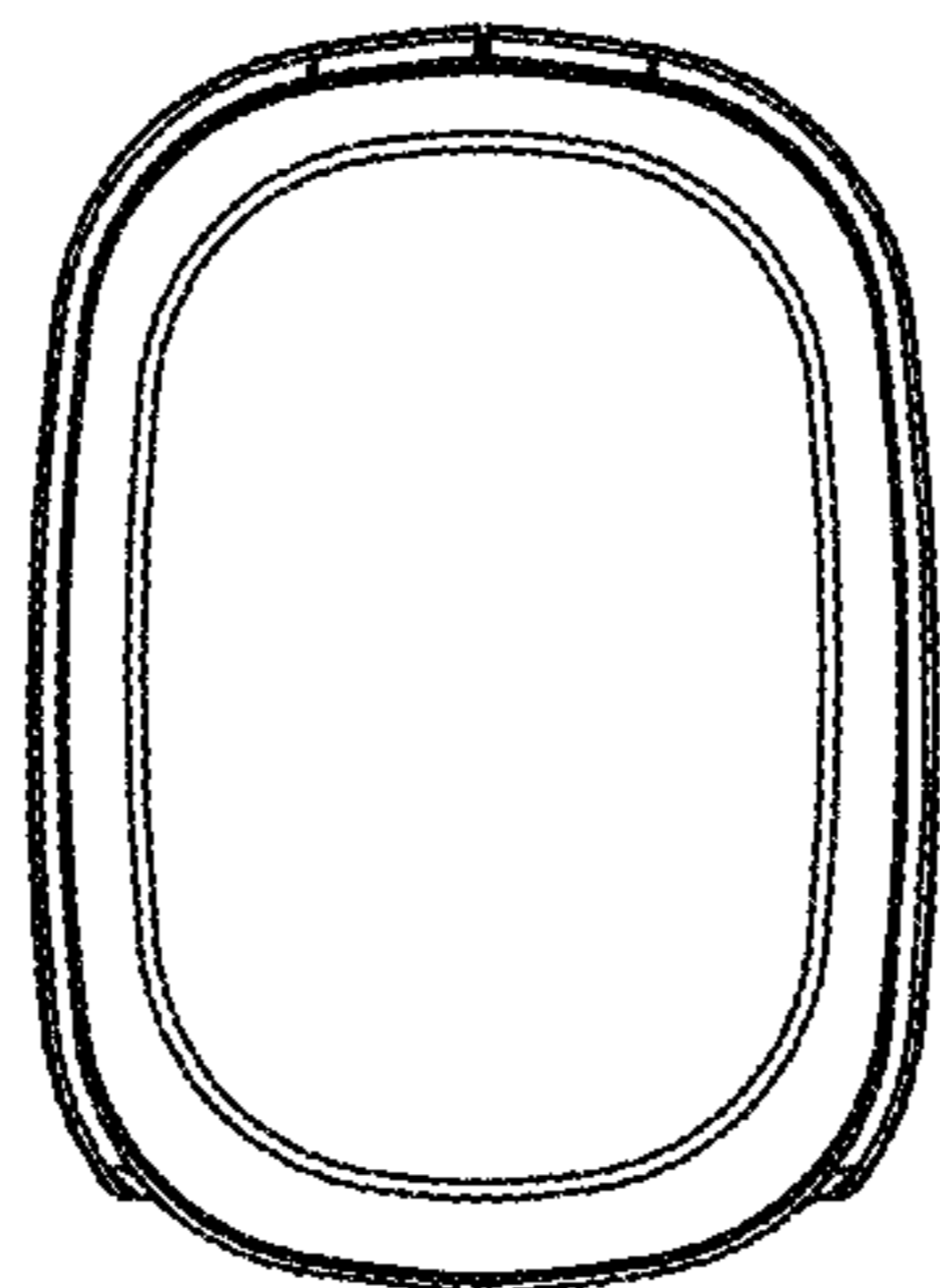


FIG. 6

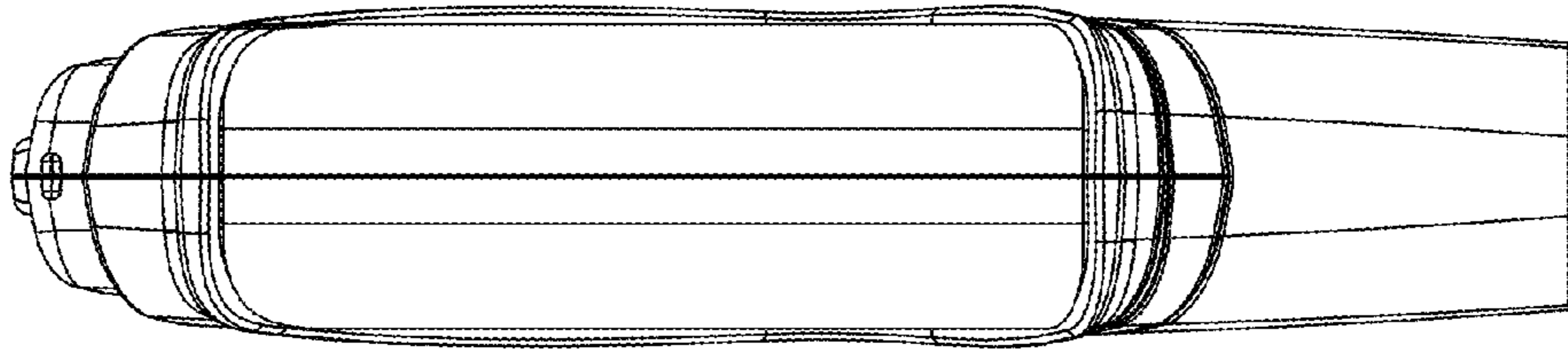


FIG. 7

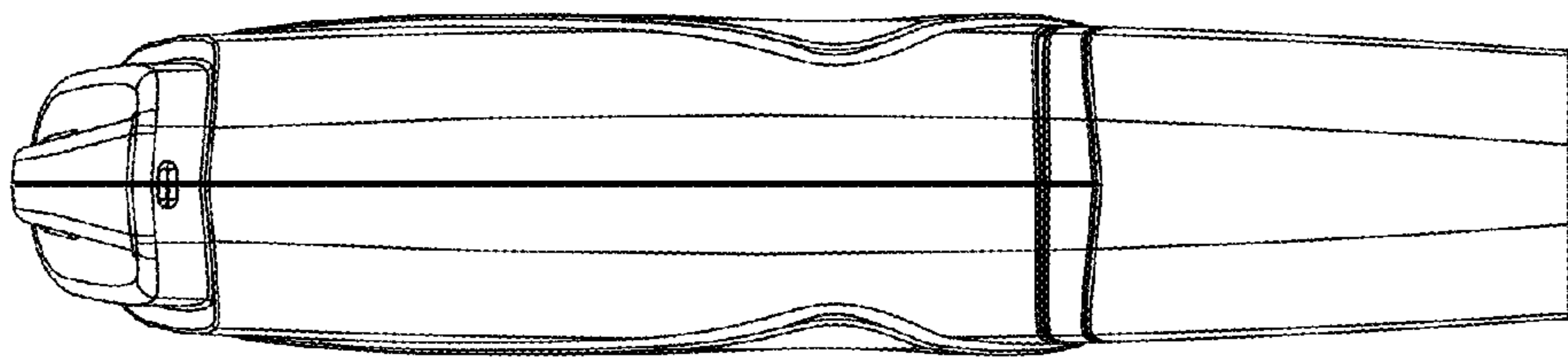


FIG. 8

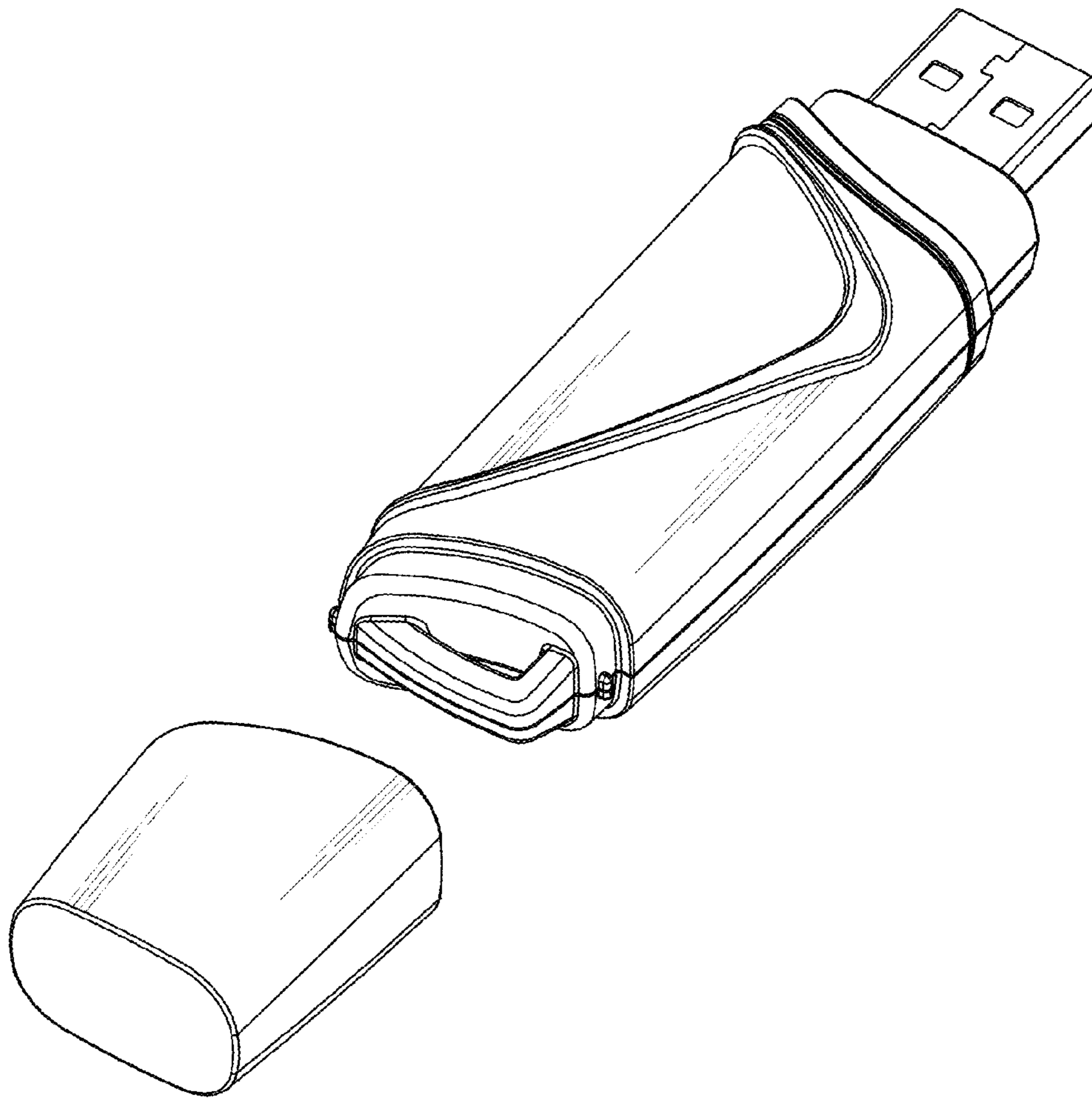


FIG.9

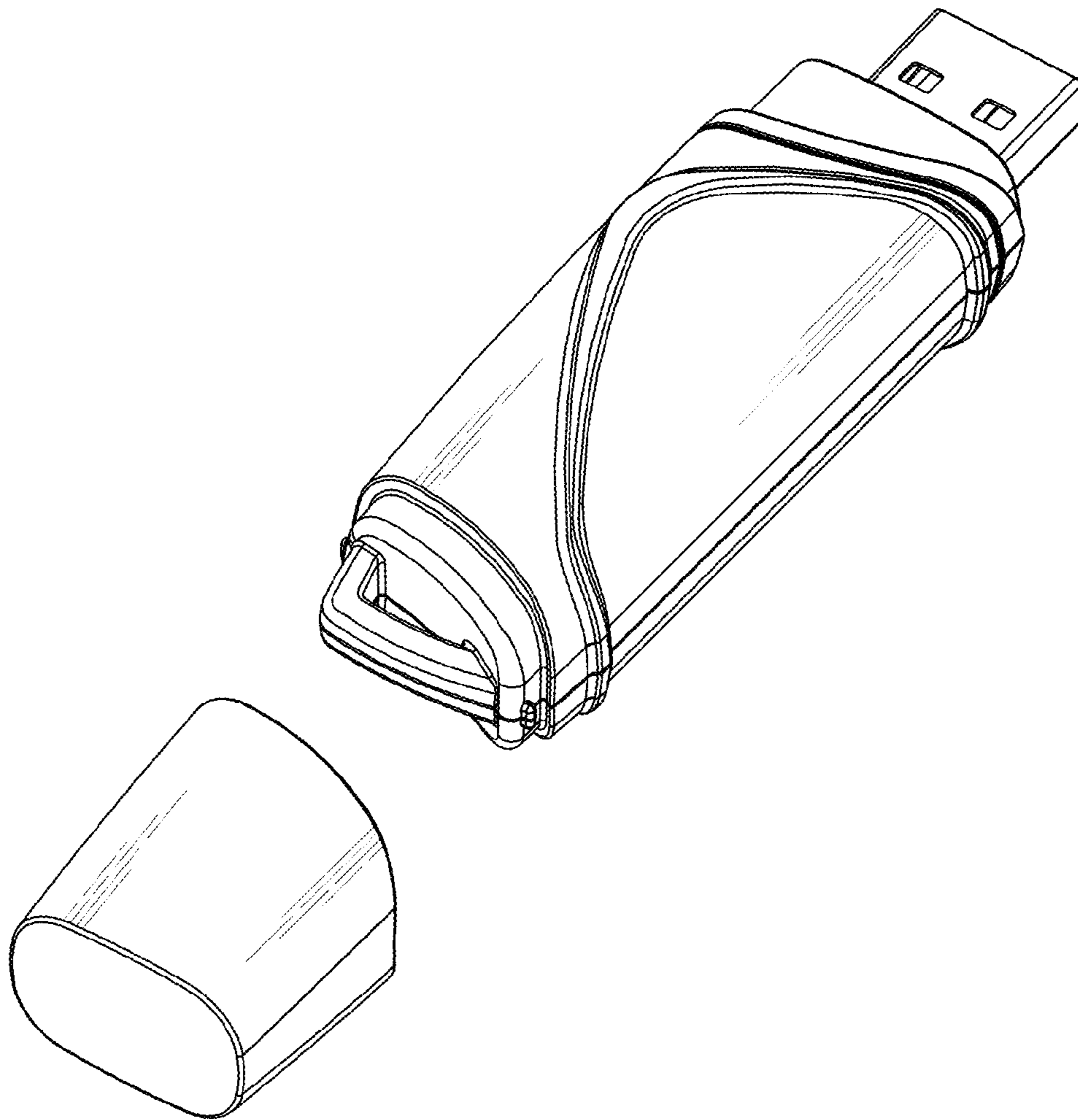


FIG.10

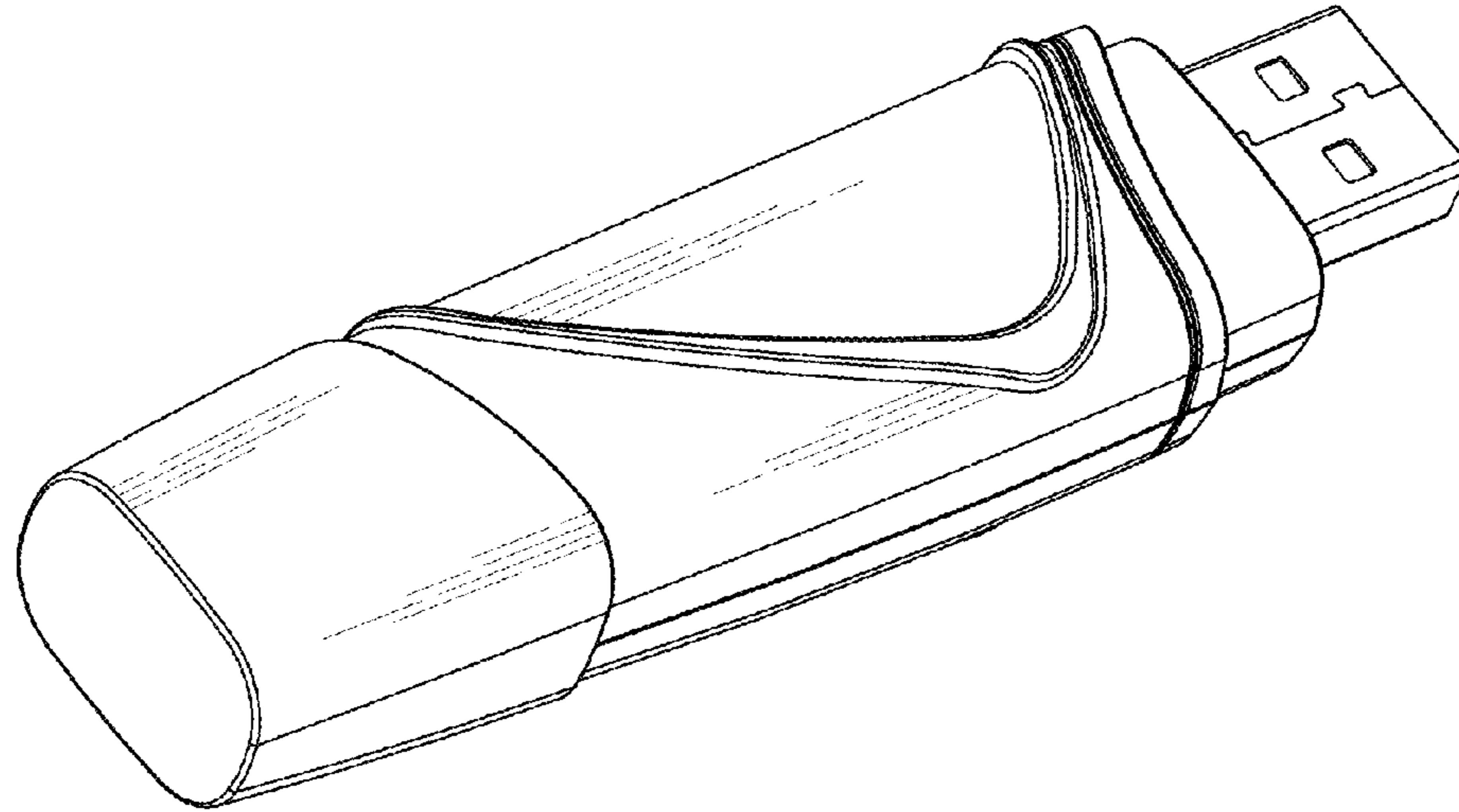


FIG. 11

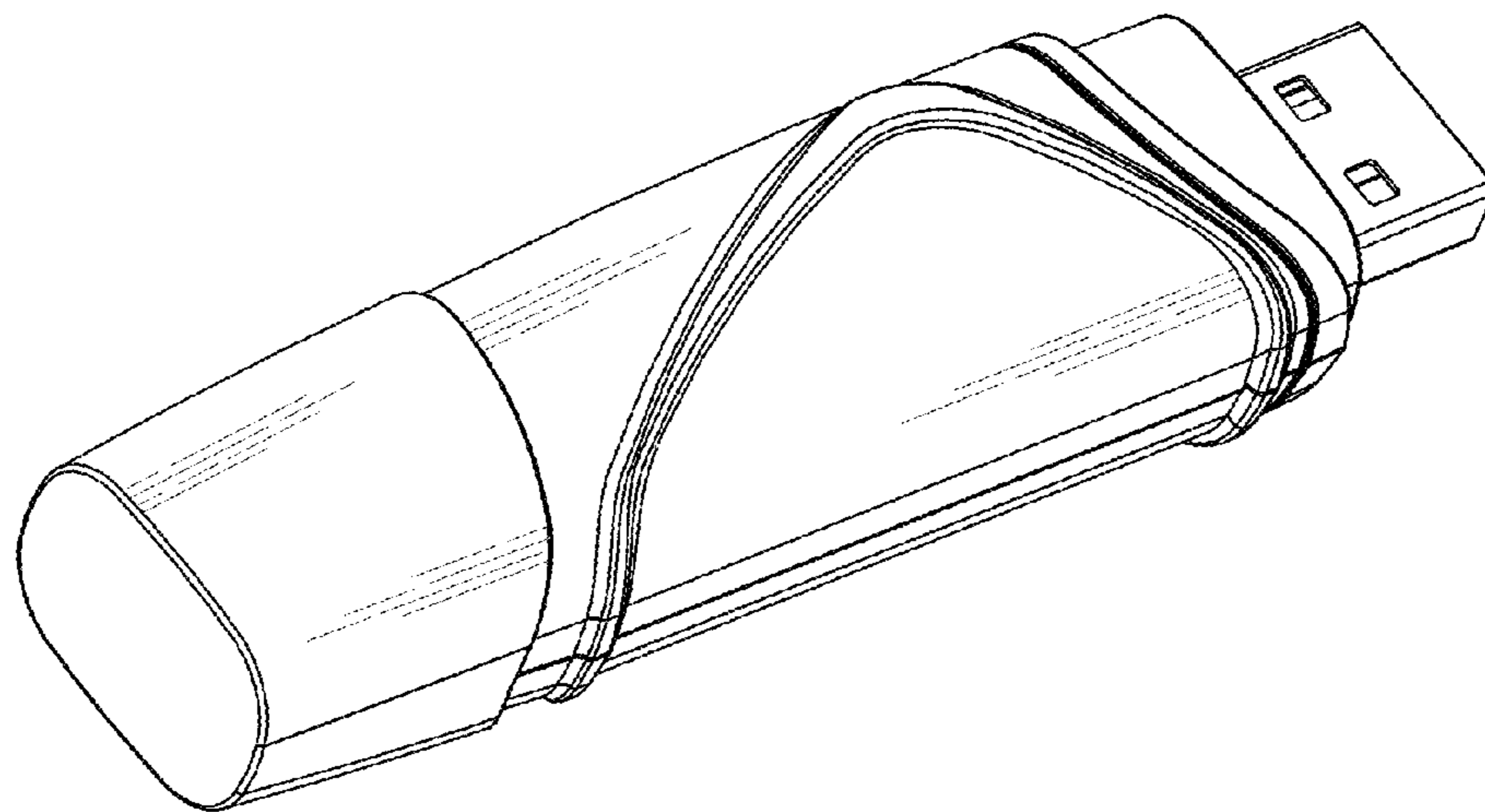


FIG. 12