



US00D687441S

(12) **United States Design Patent**  
**Janzen**

(10) **Patent No.:** **US D687,441 S**  
(45) **Date of Patent:** **\*\* Aug. 6, 2013**

(54) **LOCKING TABLET SUPPORT**

(71) Applicant: **Tony H. Janzen**, Langley (CA)

(72) Inventor: **Tony H. Janzen**, Langley (CA)

(\*\*) Term: **14 Years**

(21) Appl. No.: **29/433,803**

(22) Filed: **Oct. 4, 2012**

(51) **LOC (9) Cl.** ..... **08-07**

(52) **U.S. Cl.**  
USPC ..... **D14/447**

(58) **Field of Classification Search**  
USPC ..... D14/432, 433, 434, 439, 440, 451,  
D14/452, 239, 217, 224.1, 251, 252, 253,  
D14/457, 458, 459, 460, 461; D6/406.1,  
D6/406.2, 406.3, 406.4, 406.5, 406.6;  
361/679.06, 679.21, 679.22, 679.24, 679.26,  
361/679.27, 679.28, 679.3, 679.55, 679.56,  
361/709; 248/917-924, 133, 136, 139, 150,  
248/176.1, 188.6

See application file for complete search history.

(56) **References Cited**

U.S. PATENT DOCUMENTS

D317,151 S	5/1991	Daly	
D396,222 S	7/1998	Morgan	
D609,018 S *	2/2010	Tzeng et al.	D6/308
7,744,055 B2 *	6/2010	Zeng et al.	248/447
7,836,623 B2 *	11/2010	Wang et al.	40/747
D645,047 S *	9/2011	Wike	D14/447
D650,783 S *	12/2011	Ausfeld et al.	D14/434
D650,784 S *	12/2011	Feldstein et al.	D14/434
D660,840 S *	5/2012	Chen	D14/434
D671,532 S *	11/2012	Mochizuki et al.	D14/239

D673,571 S *	1/2013	Akana et al.	D14/447
8,356,790 B2 *	1/2013	Wu et al.	248/688
D676,448 S *	2/2013	Gorman et al.	D14/440
D676,453 S *	2/2013	Hsu et al.	D14/447
D678,886 S *	3/2013	Heckler	D14/447

FOREIGN PATENT DOCUMENTS

EM 001826504-0001 4/2011

\* cited by examiner

*Primary Examiner* — Angela J Lee

(74) *Attorney, Agent, or Firm* — Christensen O'Connor Johnson Kindness PLLC

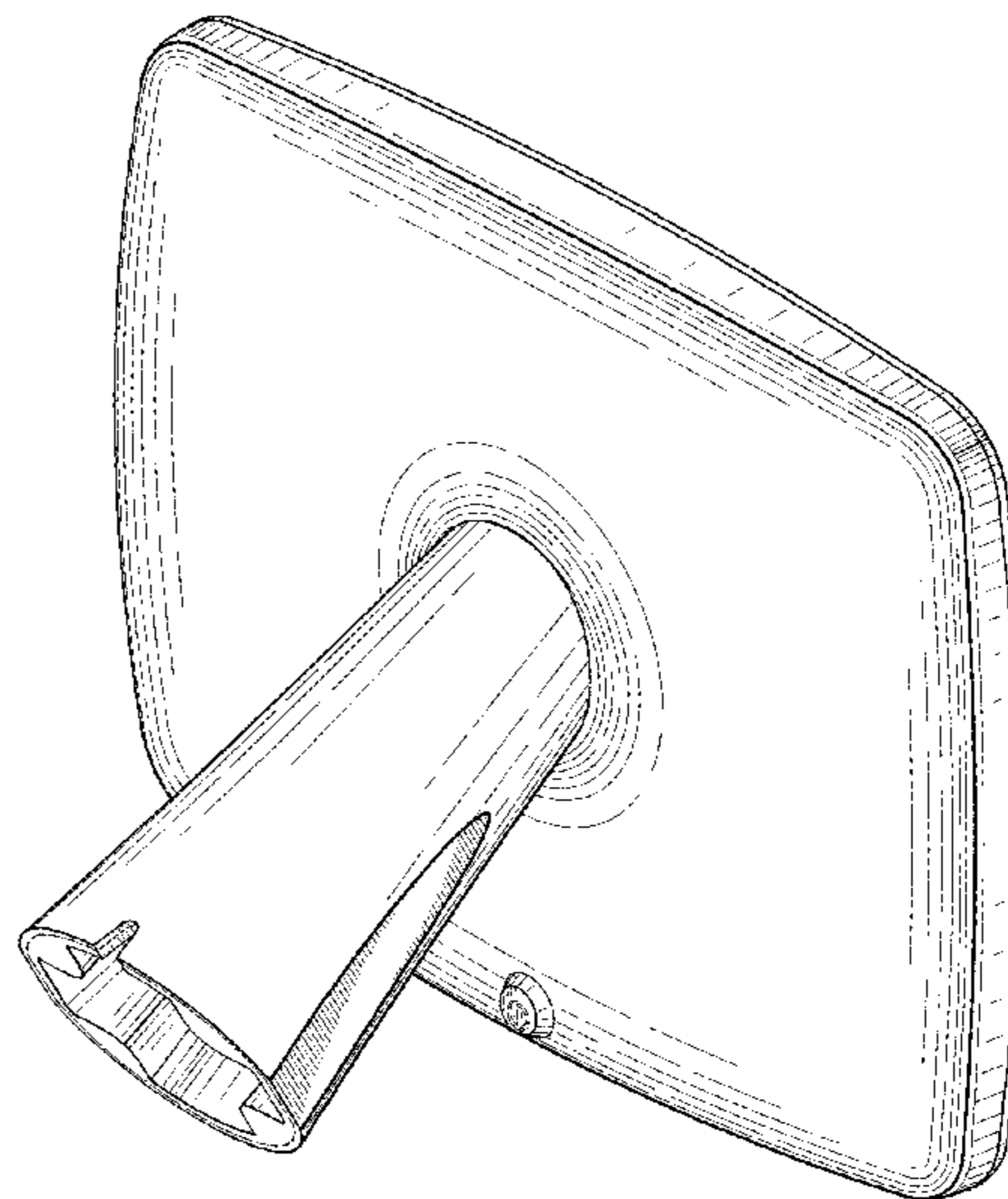
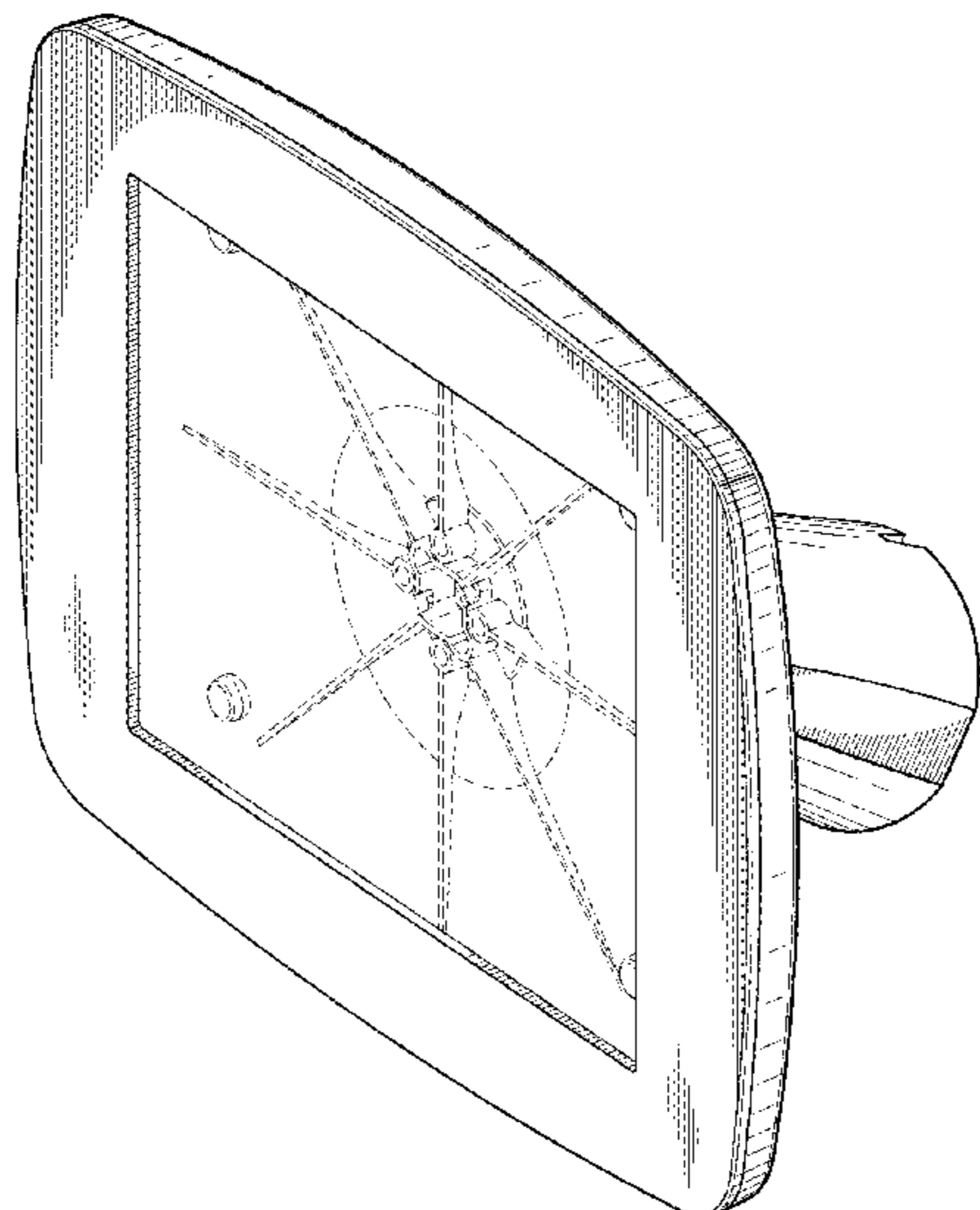
(57) **CLAIM**

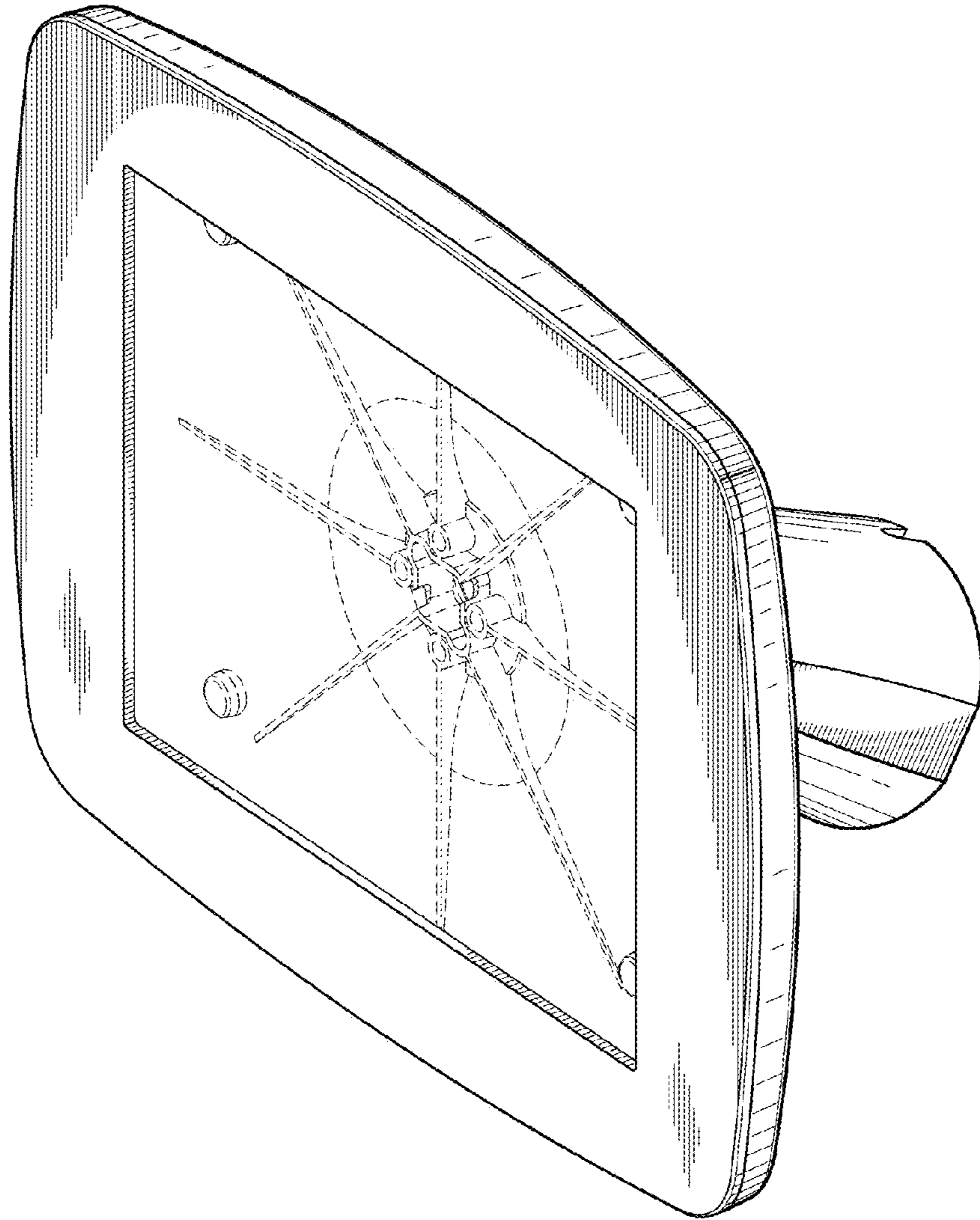
The ornamental design for a locking tablet support, as shown and described.

**DESCRIPTION**

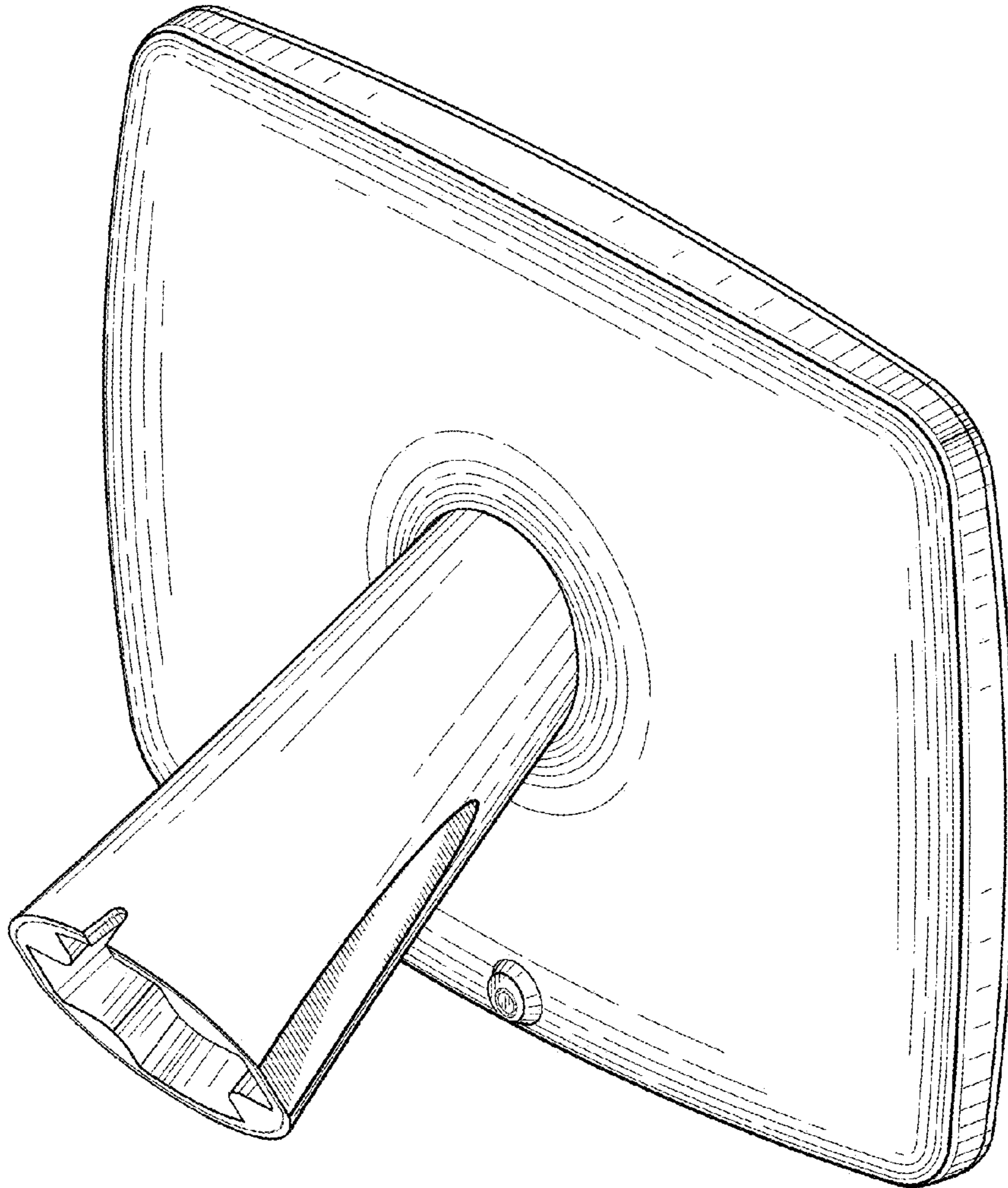
FIG. 1 is a front-right perspective view of a locking tablet support in accordance with the present design;  
 FIG. 2 is a rear-left perspective view of the locking tablet support shown in FIG. 1;  
 FIG. 3 is a front view of the locking tablet support shown in FIG. 1;  
 FIG. 4 is a back view of the locking tablet support shown in FIG. 1;  
 FIG. 5 is a right side view of the locking tablet support shown in FIG. 1;  
 FIG. 6 is a left side view of the locking tablet support shown in FIG. 1;  
 FIG. 7 is a top view of the locking tablet support shown in FIG. 1; and,  
 FIG. 8 is a bottom view of the locking tablet support shown in FIG. 1.

**1 Claim, 6 Drawing Sheets**

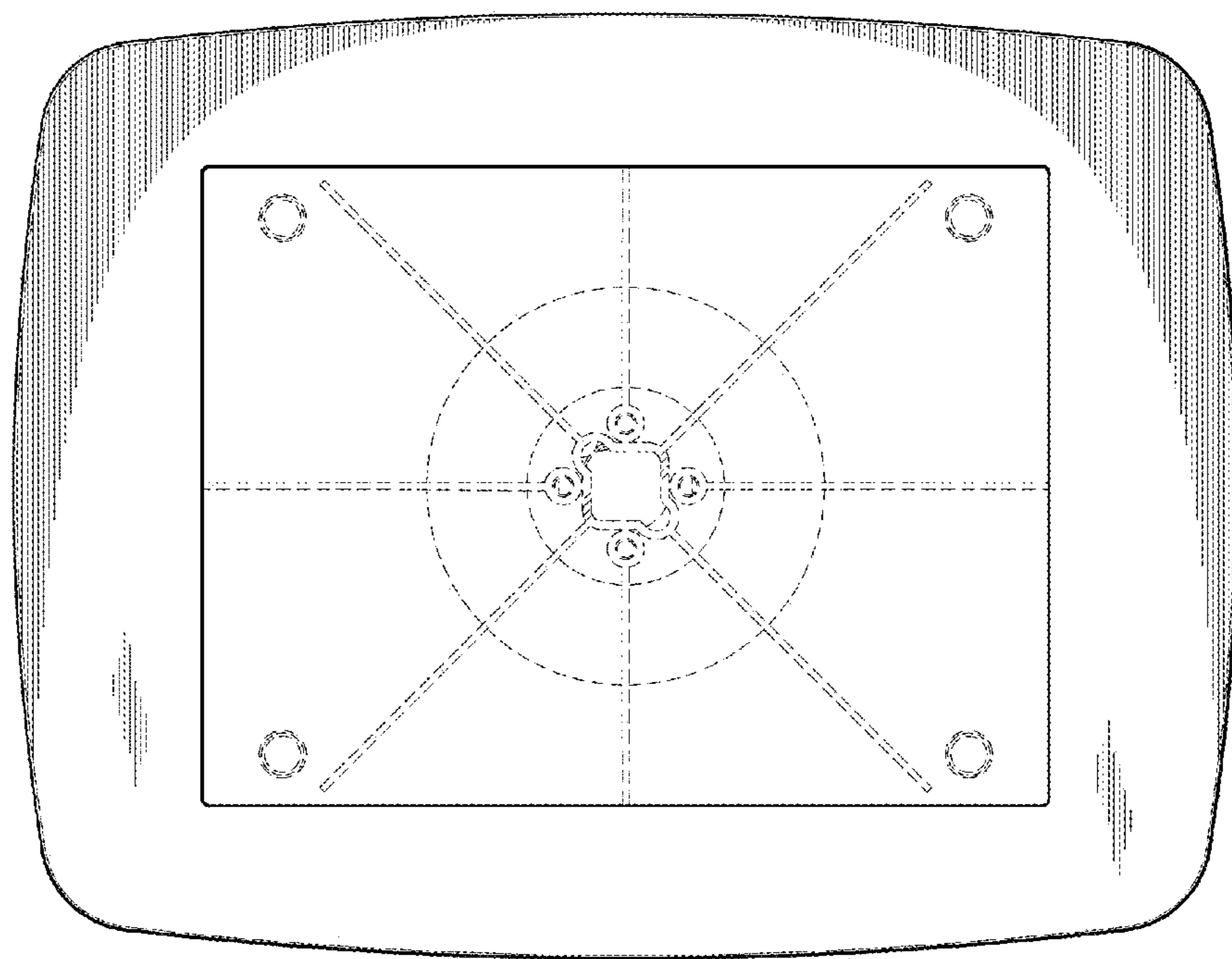




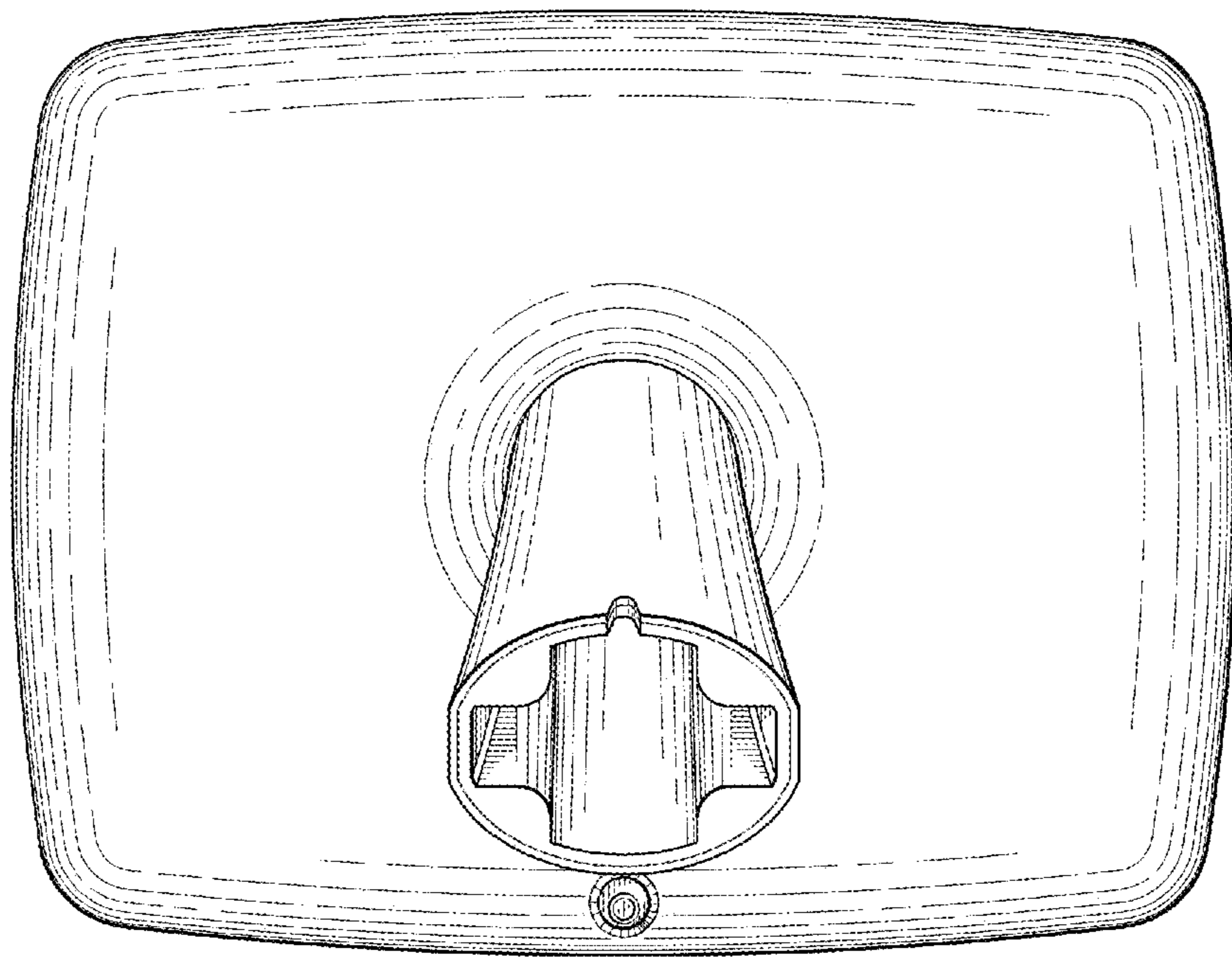
*Fig. 1.*



*Fig. 2.*

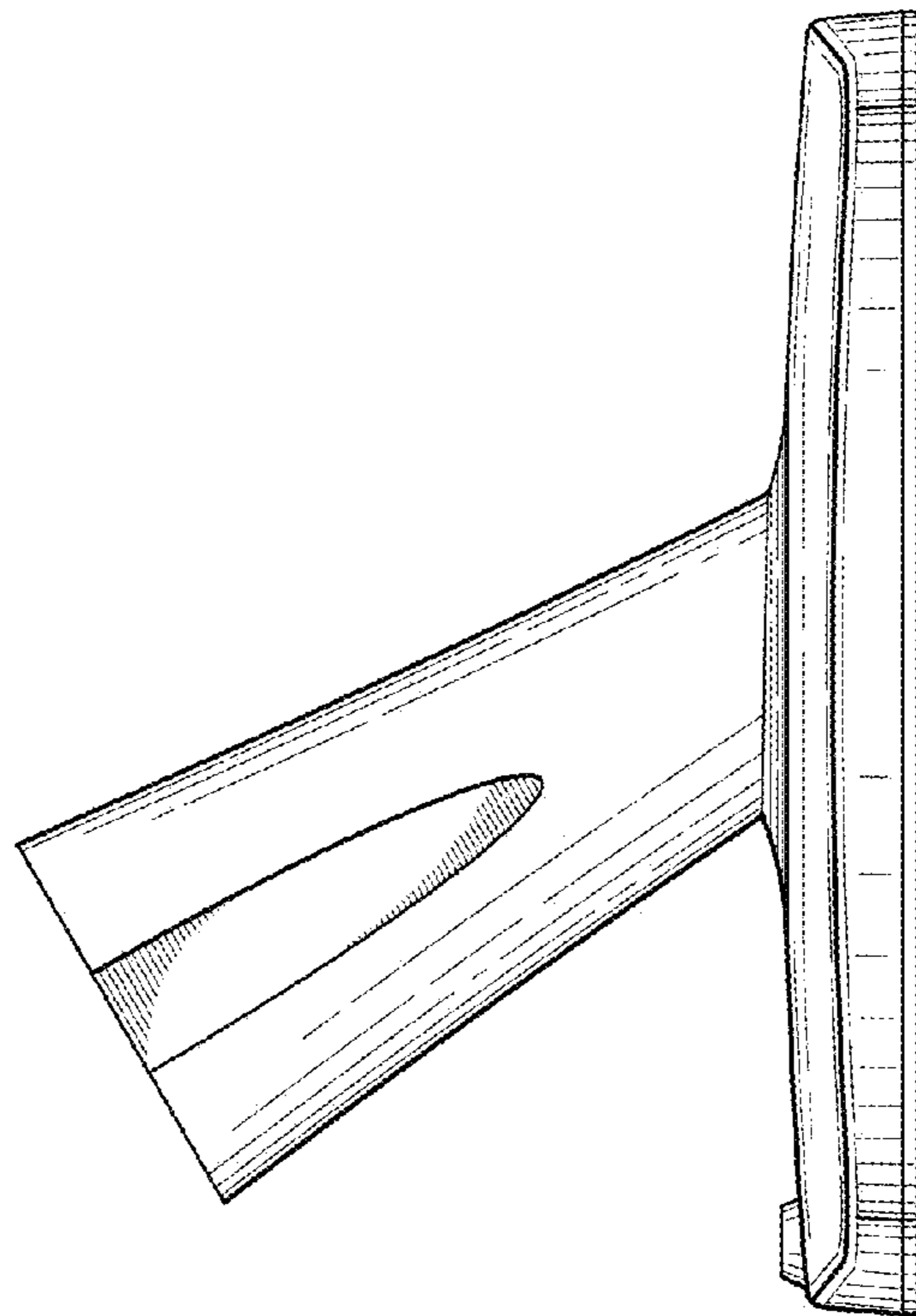
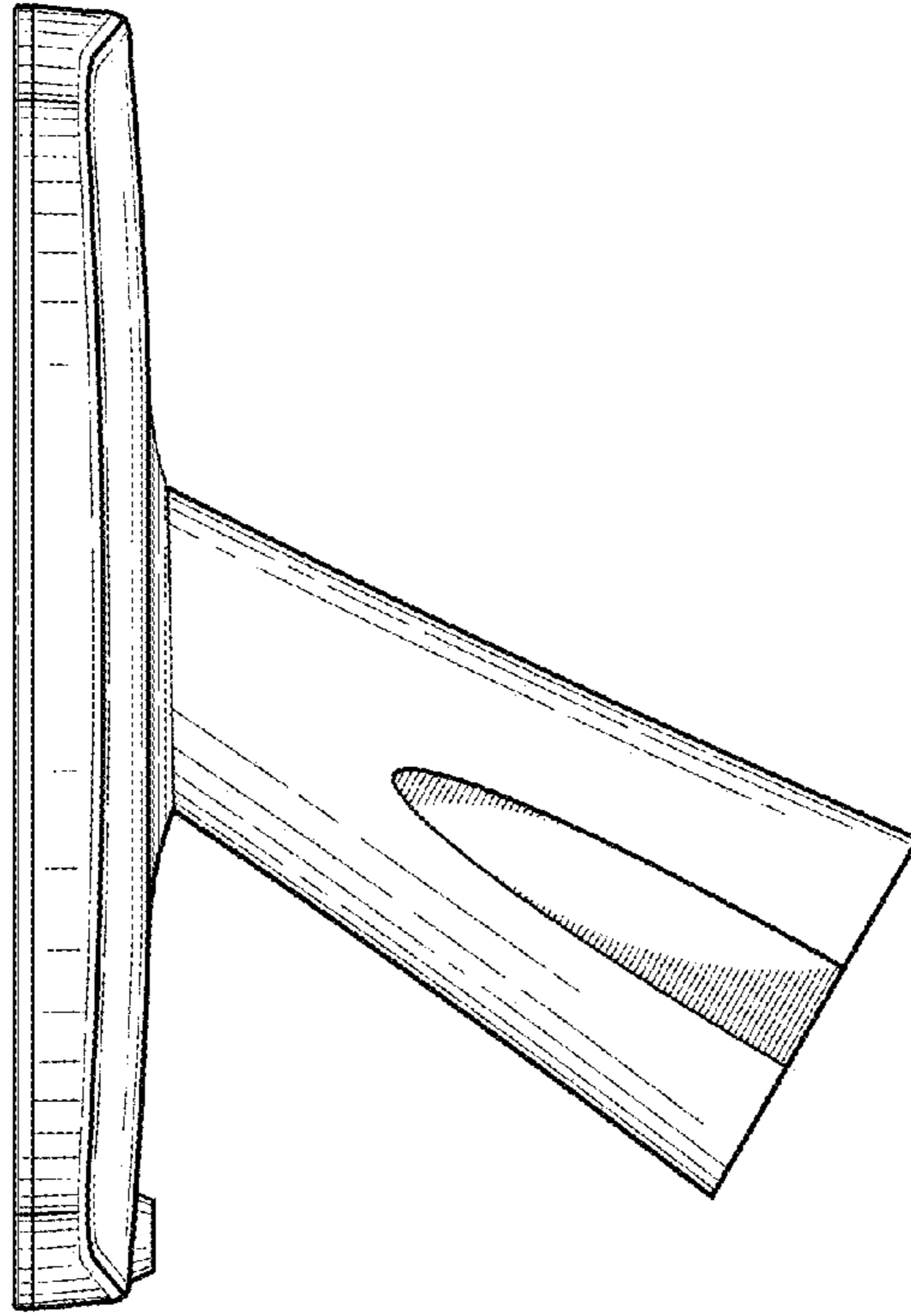


*Fig. 3.*

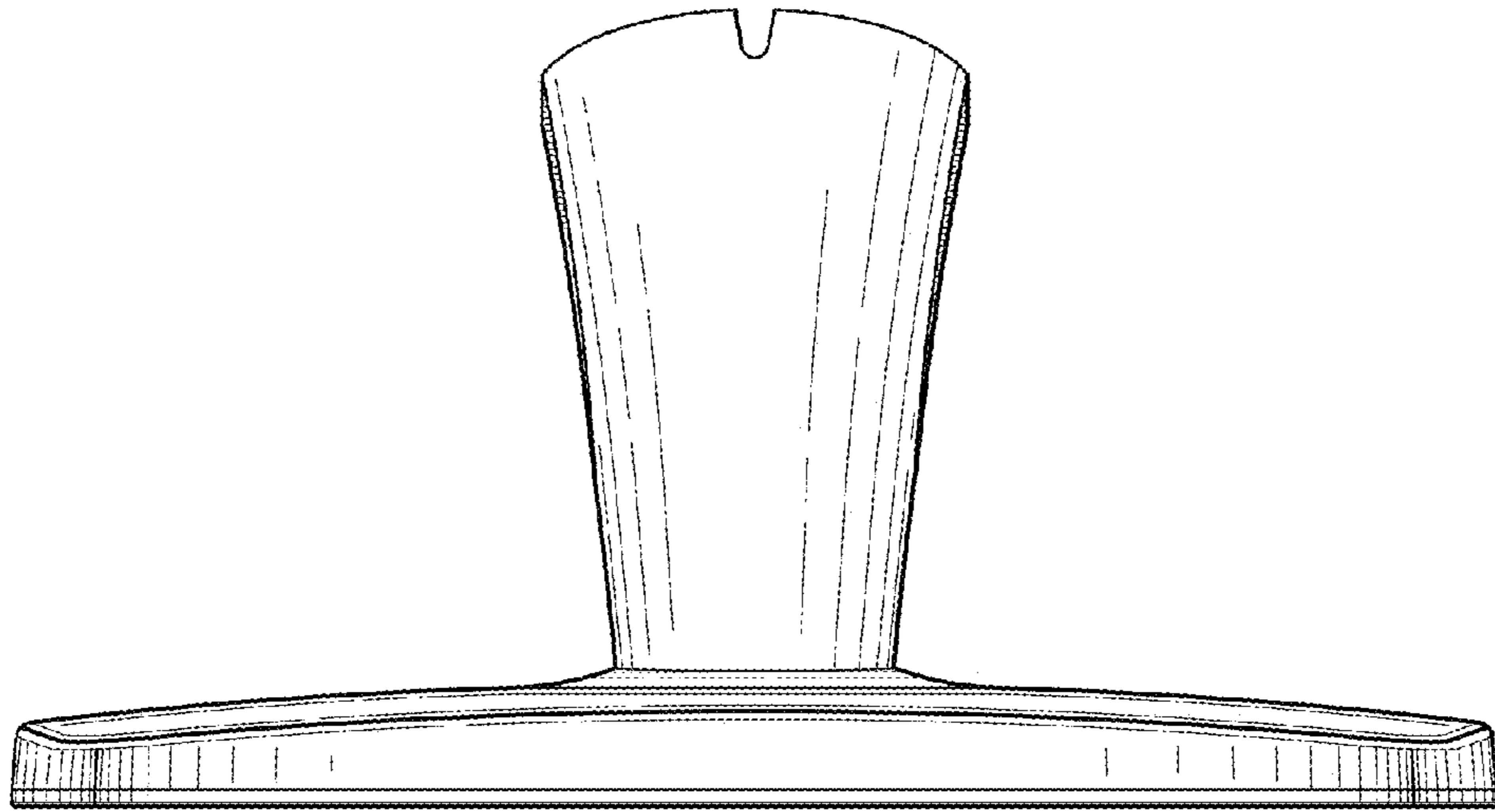


*Fig. 4.*

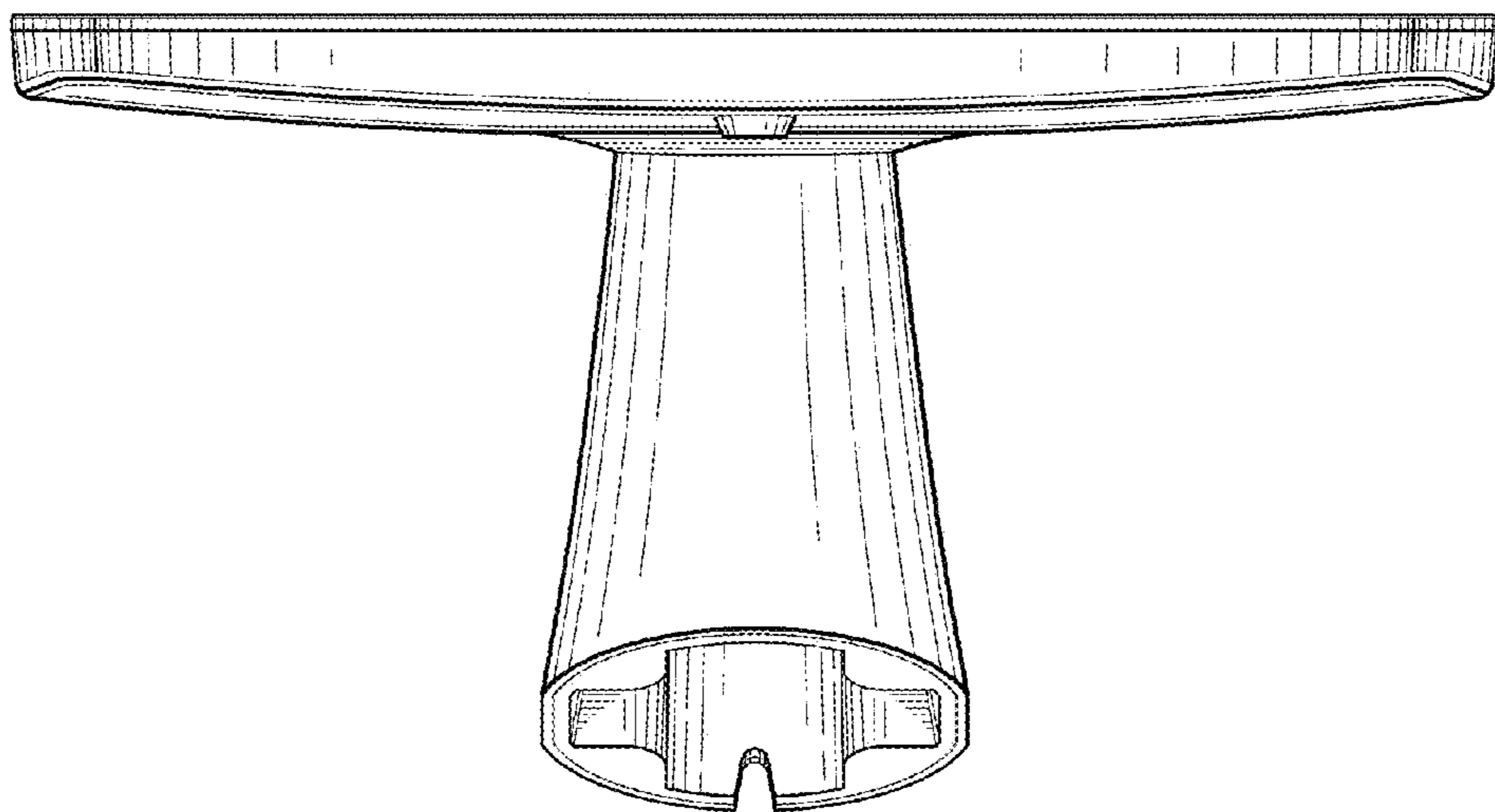
*Fig. 5.*



*Fig. 6.*



*Fig. 7.*



*Fig. 8.*