



US00D687440S

(12) **United States Design Patent**
Shieh

(10) **Patent No.:** **US D687,440 S**

(45) **Date of Patent:** **** *Aug. 6, 2013**

(54) **ELECTRONIC DEVICE HOLDER**

(71) Applicant: **C.D. Great Furniture Co., Ltd.**,
Taichung (TW)

(72) Inventor: **Chia-Ling Shieh**, Taichung (TW)

(73) Assignee: **C.D. Great Furniture Co., Ltd.**,
Taichung (TW)

(*) Notice: This patent is subject to a terminal disclaimer.

(**) Term: **14 Years**

(21) Appl. No.: **29/432,976**

(22) Filed: **Sep. 24, 2012**

Related U.S. Application Data

(63) Continuation-in-part of application No. 29/431,922,
filed on Sep. 12, 2012.

(51) **LOC (9) Cl.** **08-07**

(52) **U.S. Cl.**
USPC **D14/447**

(58) **Field of Classification Search**
USPC D14/432, 433, 434, 439, 440, 451,
D14/452, 239, 217, 224.1, 251, 252, 253,
D14/457, 458, 459, 460, 461; D6/406.1,
D6/406.2, 406.3, 406.4, 406.5, 406.6;
361/679.06, 679.21, 679.22, 679.24, 679.26,
361/679.27, 679.28, 679.3, 679.55, 679.56,
361/709; 248/917-924, 133, 136, 139, 150,
248/176.1, 188.6; D12/415

See application file for complete search history.

(56) **References Cited**

U.S. PATENT DOCUMENTS

D641,610	S	*	7/2011	Sedalo	D8/354
D651,606	S	*	1/2012	Luijben	D14/447
D653,668	S	*	2/2012	Song et al.	D14/447
D658,651	S	*	5/2012	Lee et al.	D14/452
D660,305	S	*	5/2012	Ho et al.	D14/447
D666,205	S	*	8/2012	Li et al.	D14/452
D669,481	S	*	10/2012	Prescott et al.	D14/447
D669,890	S	*	10/2012	Hopkins et al.	D14/251
D673,960	S	*	1/2013	Lindfield et al.	D14/447
D674,803	S	*	1/2013	Westrup	D14/440
D674,804	S	*	1/2013	Cote	D14/447
D676,854	S	*	2/2013	Hsu et al.	D14/447
8,382,059	B2	*	2/2013	Le Gette et al.	248/460

* cited by examiner

Primary Examiner — Angela J Lee

(74) *Attorney, Agent, or Firm* — Shimokaji & Associates P.C.

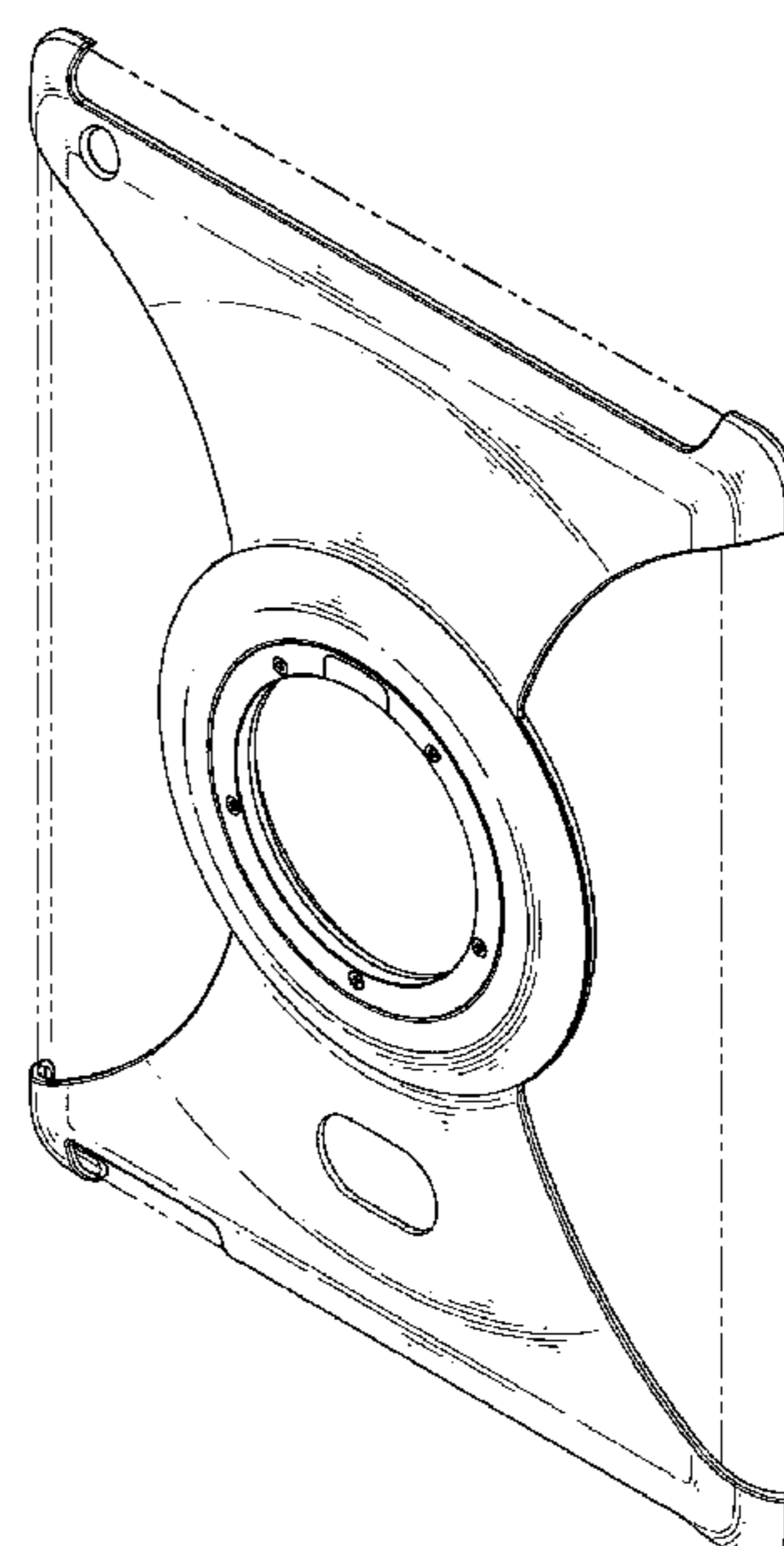
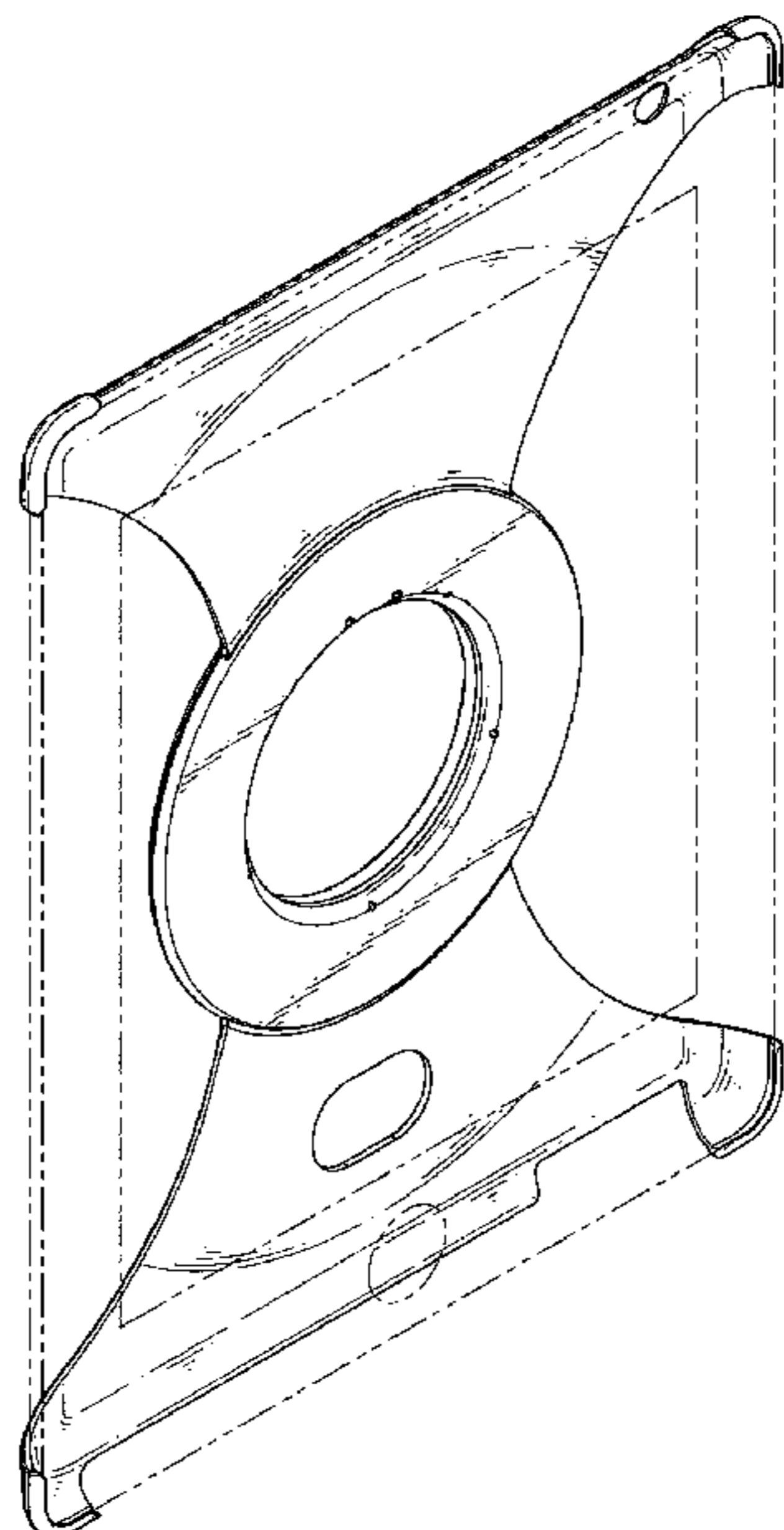
(57) **CLAIM**

The ornamental design for an electronic device holder, as shown and described.

DESCRIPTION

FIG. 1 is a perspective view of an electronic device holder showing my new design;
FIG. 2 is a front elevational view thereof;
FIG. 3 is a rear elevational view thereof;
FIG. 4 is a left side elevational view thereof;
FIG. 5 is a right side elevational view thereof;
FIG. 6 is a top plan view thereof;
FIG. 7 is a bottom plan view thereof;
FIG. 8 is a perspective view thereof shown in use; and,
FIG. 9 is another perspective view shown in use from the back vision thereof.
The broken lines are shown for illustrative purposes only and form no part of claimed design.

1 Claim, 7 Drawing Sheets



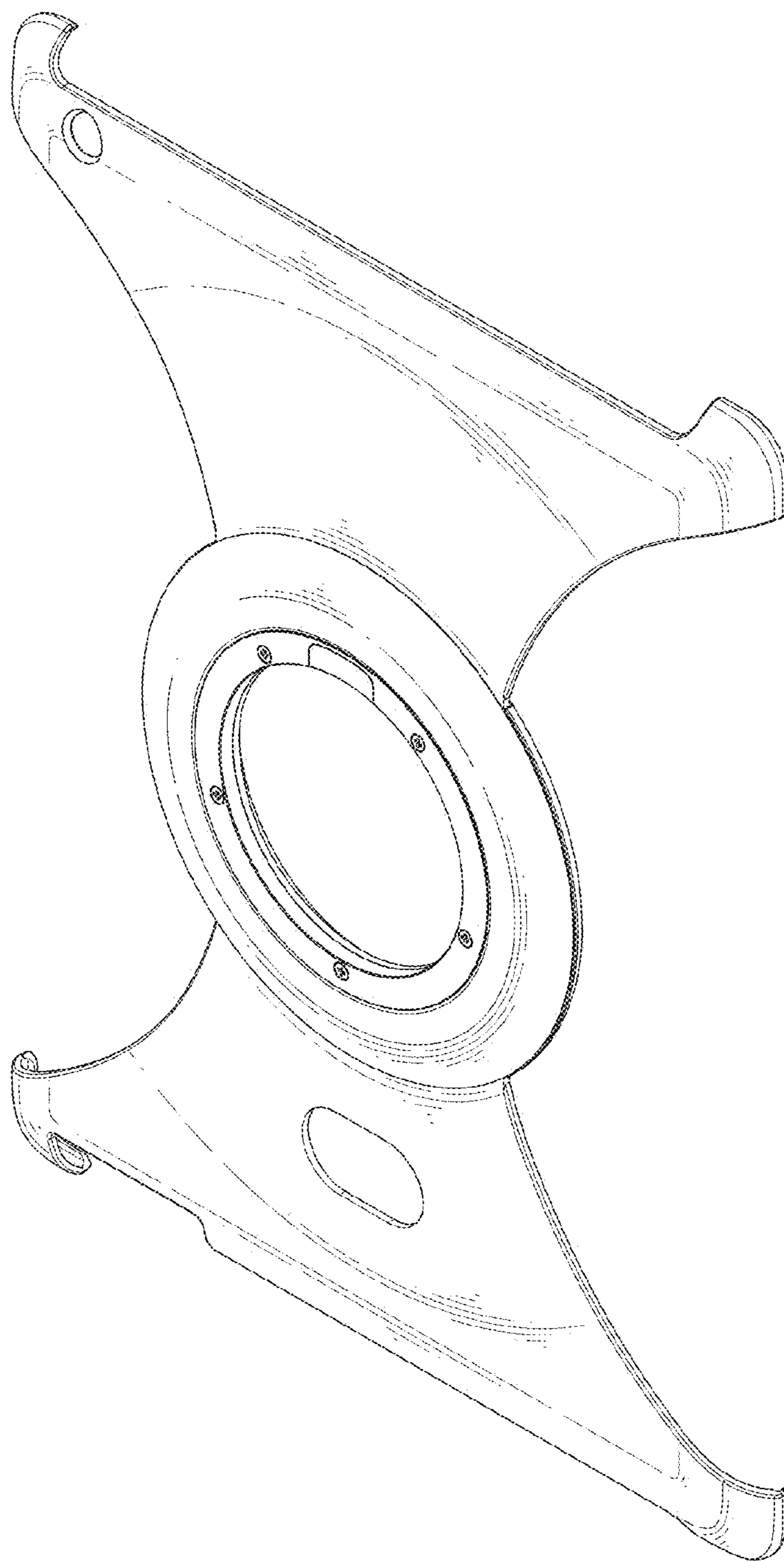


FIG. 1

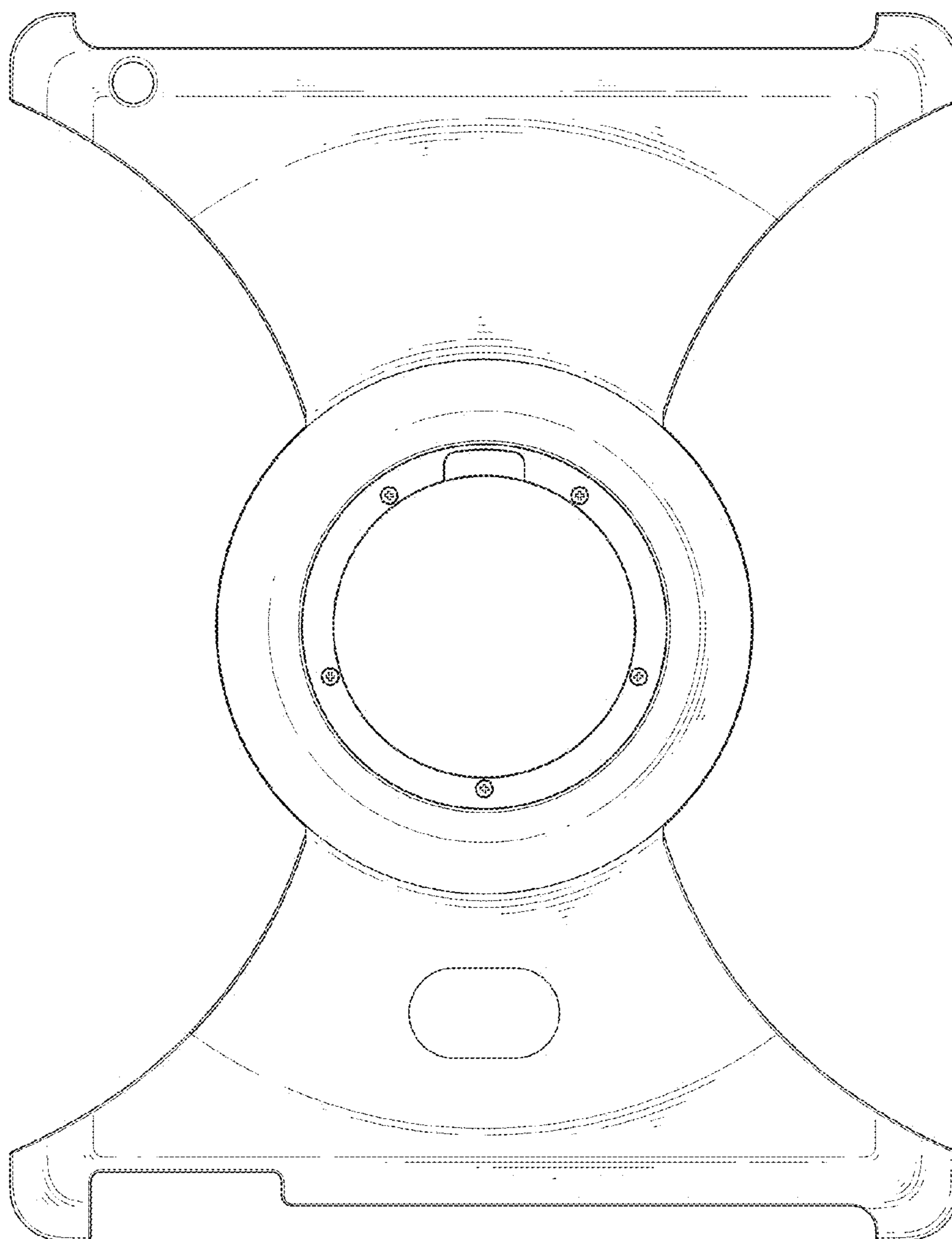


FIG. 2

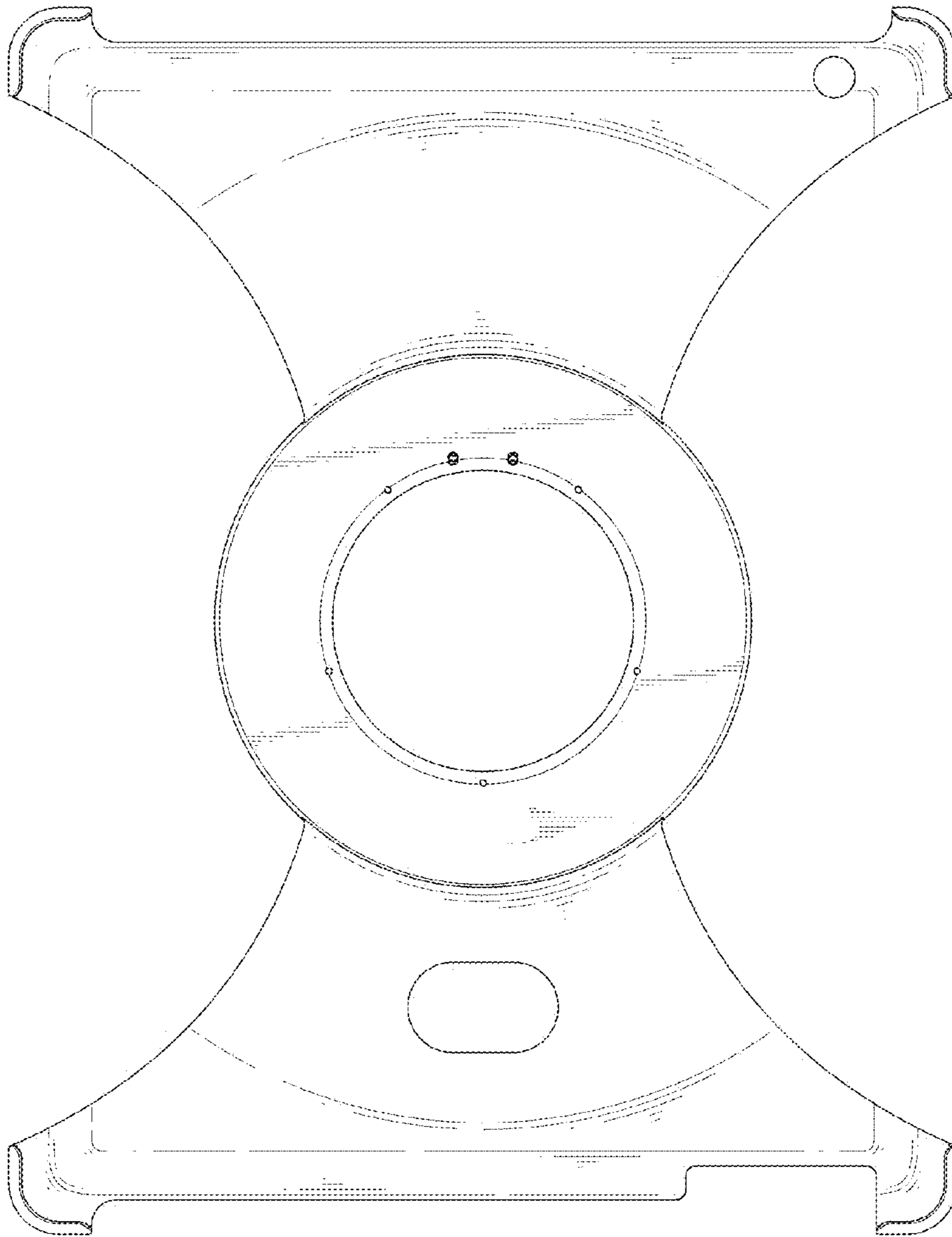


FIG. 3

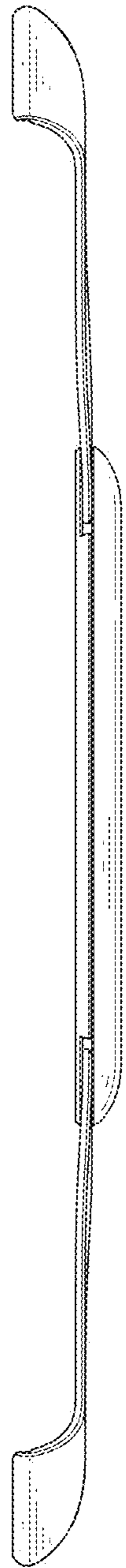


FIG. 4

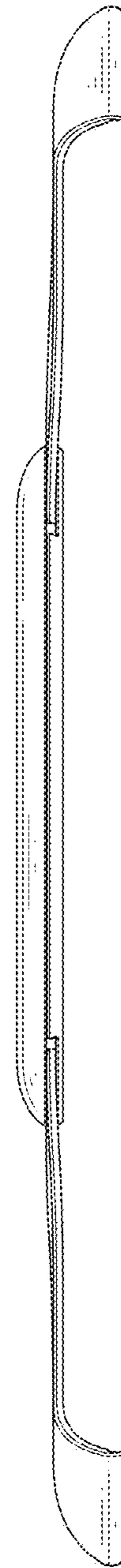


FIG. 5

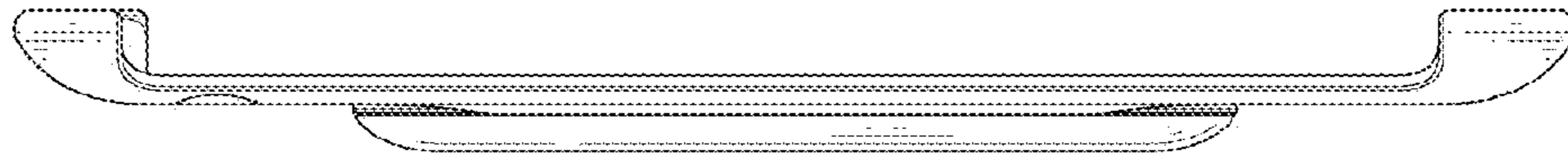


FIG. 6

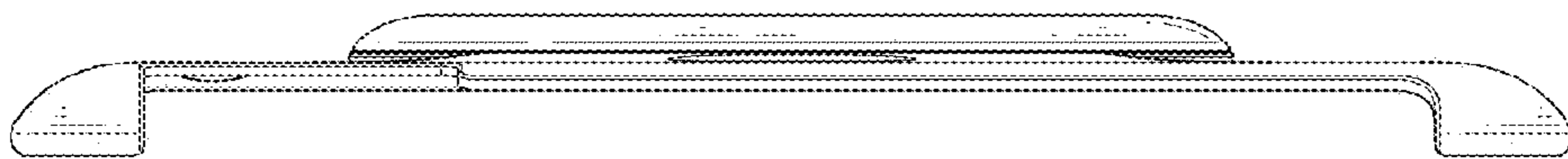


FIG. 7

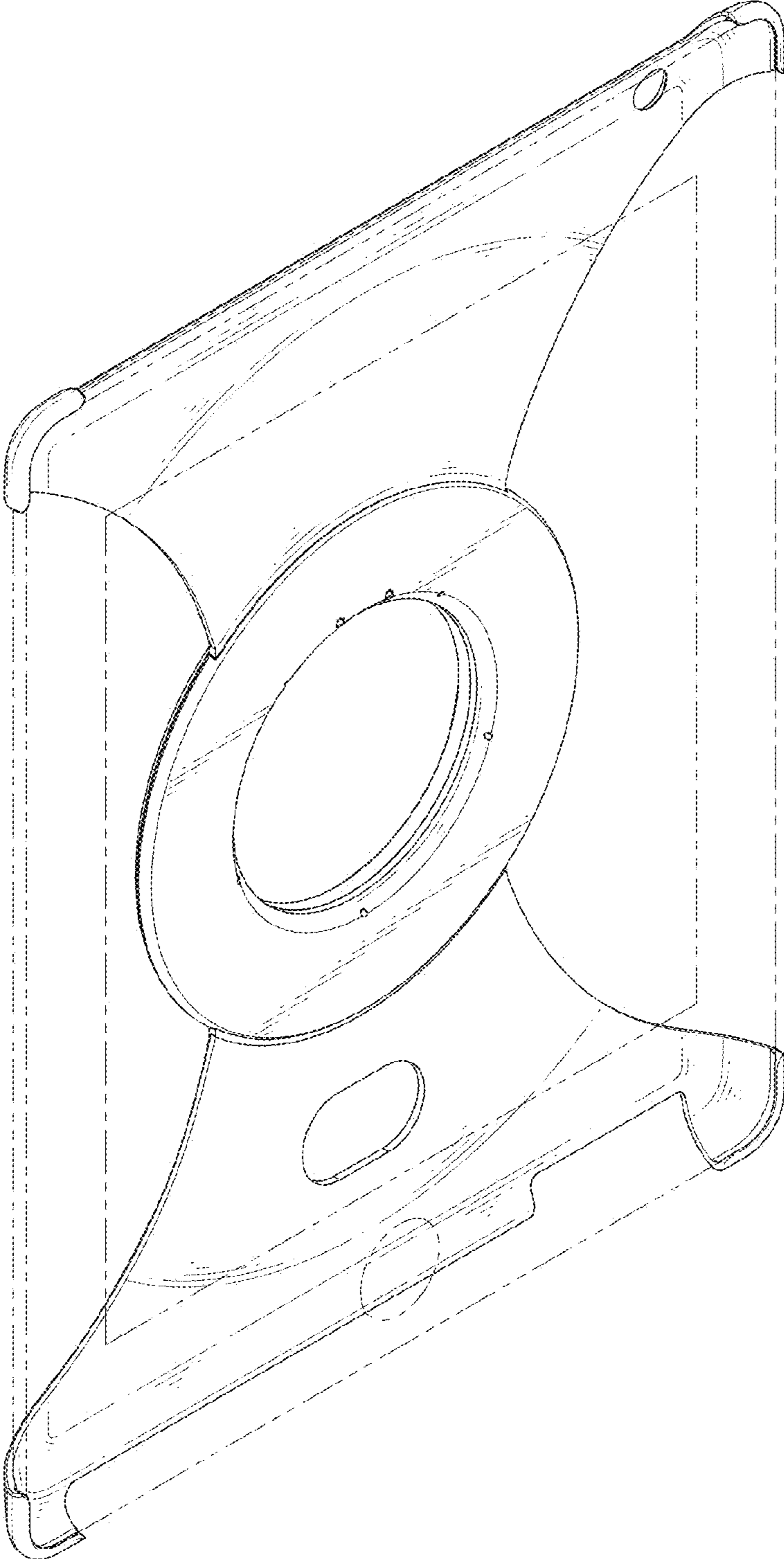


FIG. 8

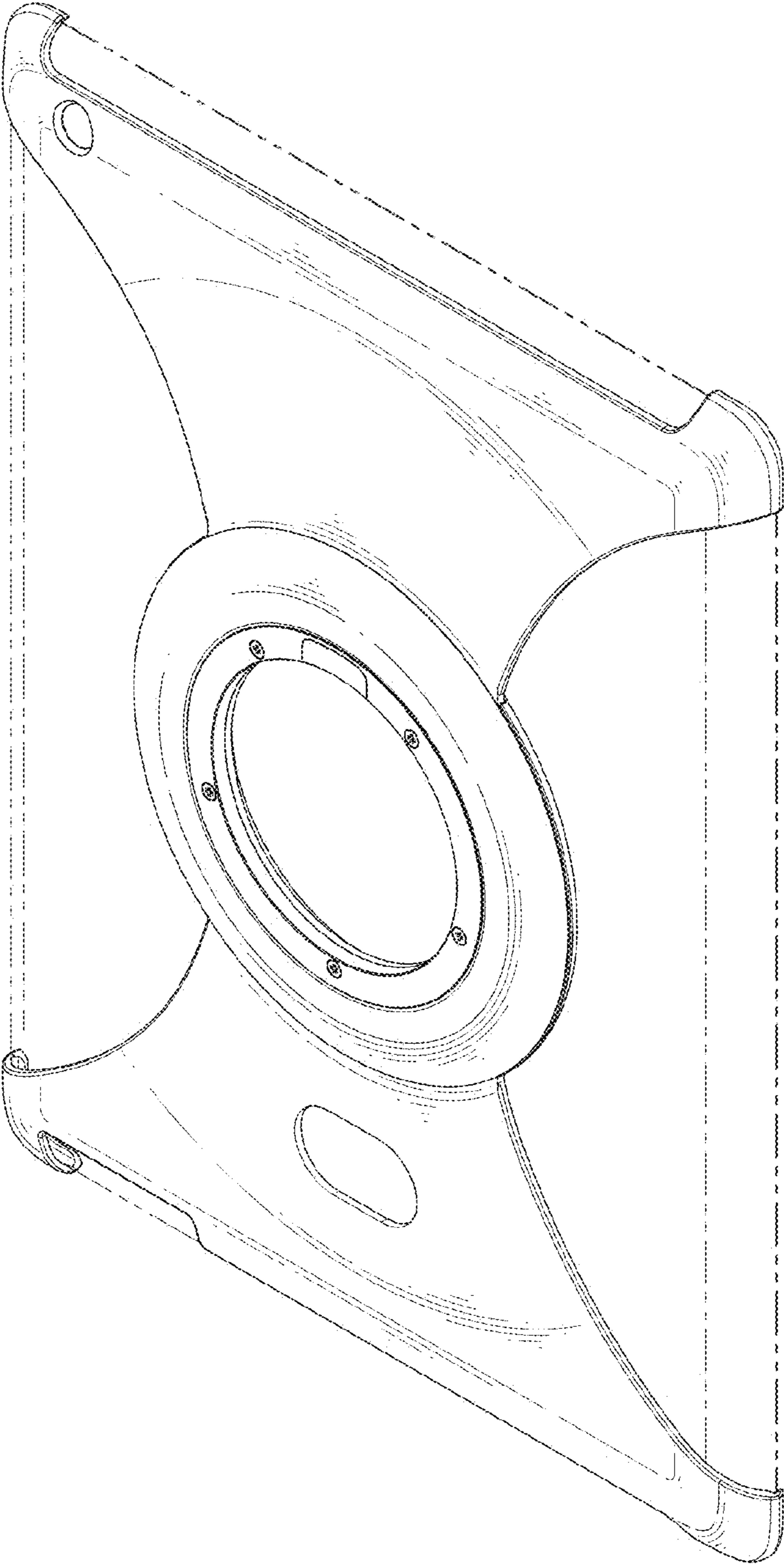


FIG. 9