



US00D687439S

(12) **United States Design Patent**
May et al.

(10) **Patent No.:** **US D687,439 S**
(45) **Date of Patent:** **** Aug. 6, 2013**

(54) **TABLET COMPUTER STAND**

(75) Inventors: **Brian May**, Chattanooga, TN (US);
Brent Wingfield, Winston Salem, NC (US)

(73) Assignee: **Us Plus You, LLC**, Chattanooga, TN (US)

(**) Term: **14 Years**

(21) Appl. No.: **29/429,607**

(22) Filed: **Aug. 14, 2012**

(51) **LOC (9) Cl.** **08-07**

(52) **U.S. Cl.**
USPC **D14/447**

(58) **Field of Classification Search**
USPC D14/432, 433, 434, 439, 440, 451, D14/452, 239, 217, 224.1, 251, 252, 253, D14/457, 458, 459, 460, 461; D6/406.1, D6/406.2, 406.3, 406.4, 406.5, 406.6, 310, D6/311; 361/679.06, 679.21, 679.22, 679.24, 361/679.26, 679.27, 679.28, 679.3, 679.55, 361/679.56, 709; 248/917-924, 133, 136, 248/139, 150, 176.1, 188.6
See application file for complete search history.

(56) **References Cited**

U.S. PATENT DOCUMENTS

D304,726 S * 11/1989 Brooks et al. D14/149
D309,679 S * 8/1990 Ackeret D6/311

D569,630 S * 5/2008 Bradford D6/310
D578,311 S * 10/2008 Cooley D6/310
7,744,055 B2 * 6/2010 Zeng et al. 248/447
7,836,623 B2 * 11/2010 Wang et al. 40/747
D650,783 S * 12/2011 Ausfeld et al. D14/434
D650,784 S * 12/2011 Feldstein et al. D14/434
D654,077 S * 2/2012 Radin et al. D14/434
D660,840 S * 5/2012 Chen D14/434
D666,619 S * 9/2012 May D14/447
D676,448 S * 2/2013 Gorman et al. D14/440
D677,474 S * 3/2013 Harris et al. D6/310

* cited by examiner

Primary Examiner — Angela J Lee

(74) *Attorney, Agent, or Firm* — Stephen J. Stark; Miller & Martin PLLC

(57) **CLAIM**

The ornamental design for a tablet computer stand, as shown and described.

DESCRIPTION

FIG. 1 is a front perspective view of the tablet computer stand; FIG. 2 is a back perspective view of the stand; FIG. 3 is a front elevational view thereof; FIG. 4 is a left side elevational view thereof; FIG. 5 is a back elevational view thereof; FIG. 6 is a right side elevational view thereof; FIG. 7 is a top elevational view thereof; and, FIG. 8 is a bottom elevational view thereof.

1 Claim, 3 Drawing Sheets

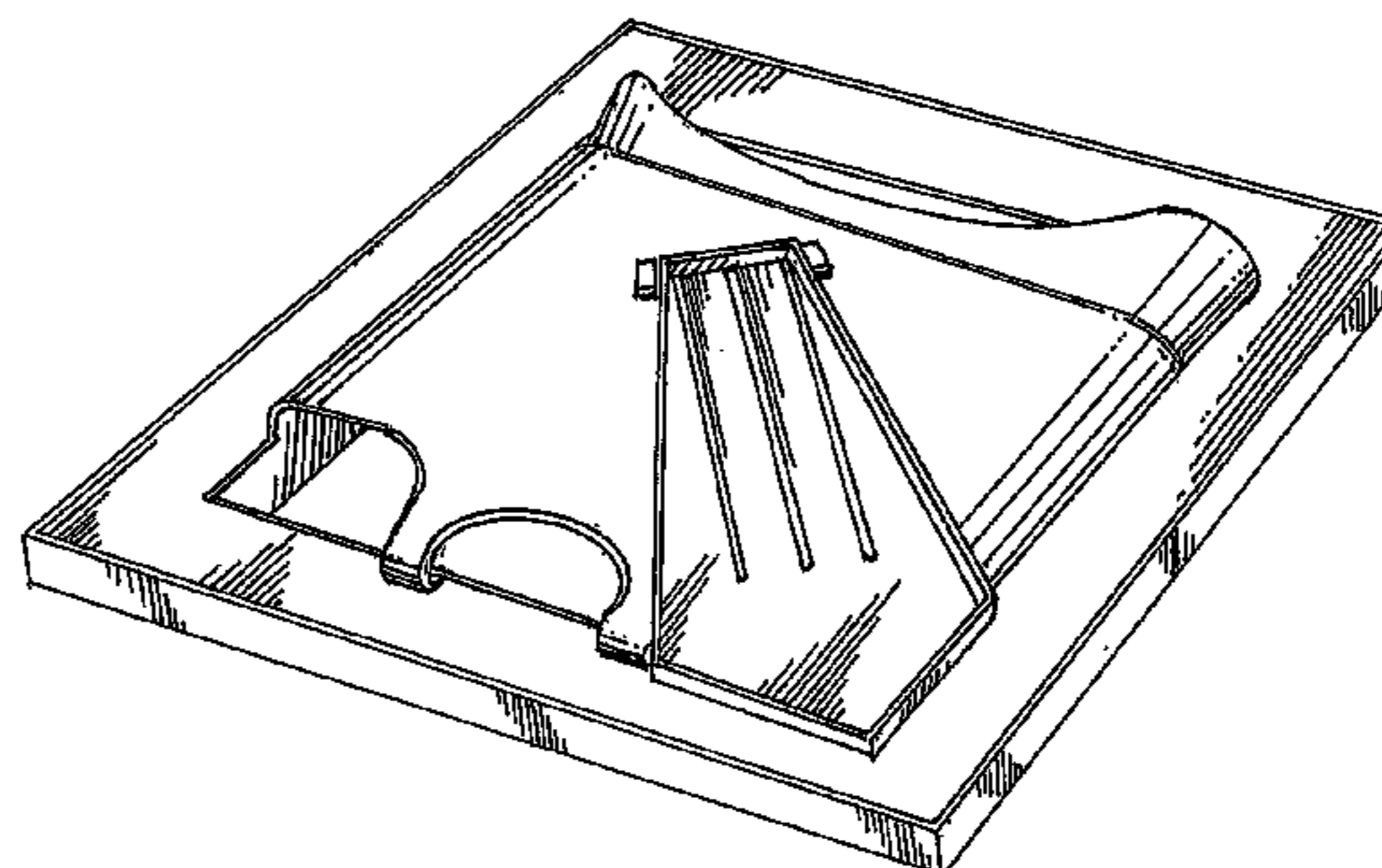
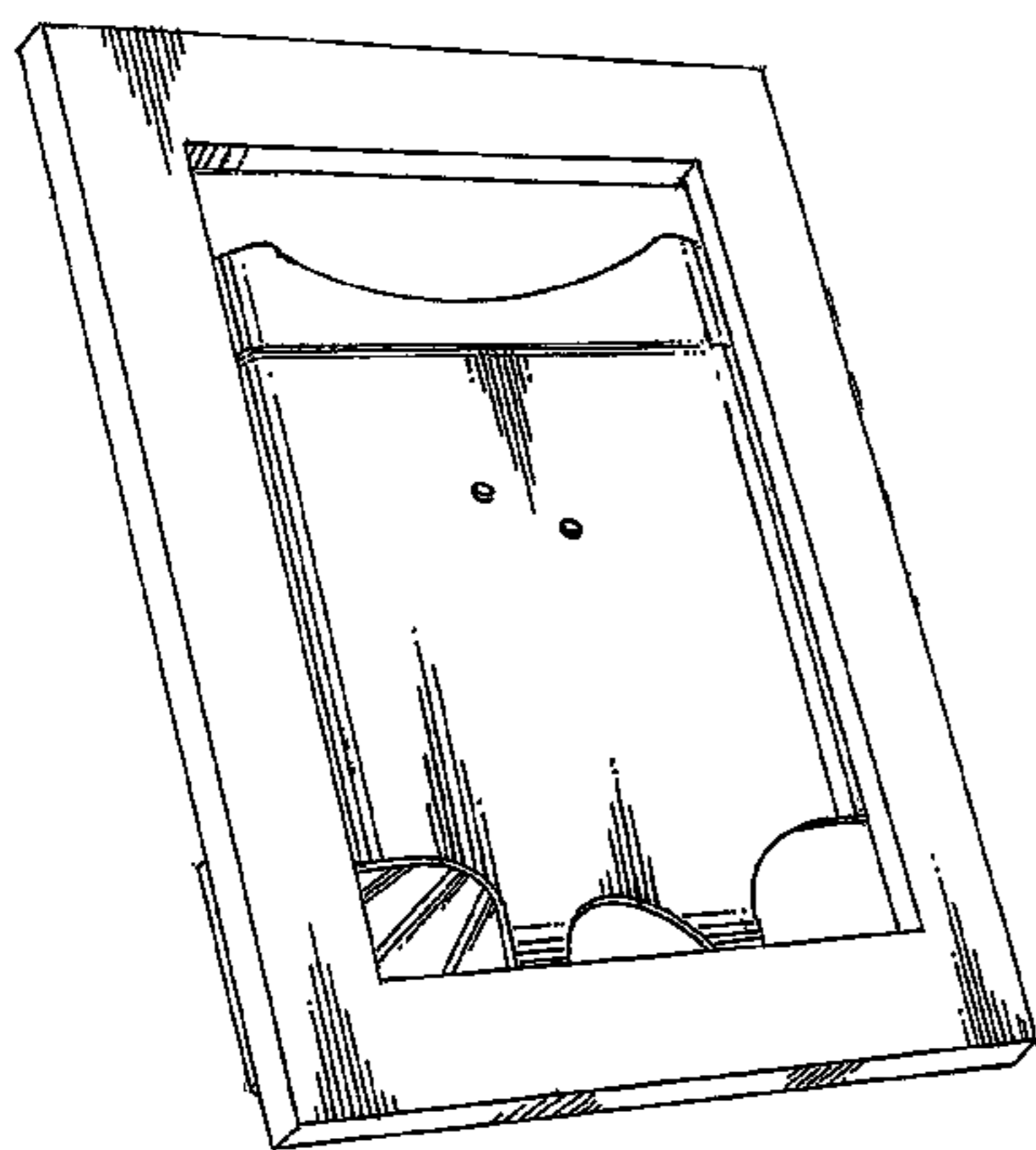


FIG. 1

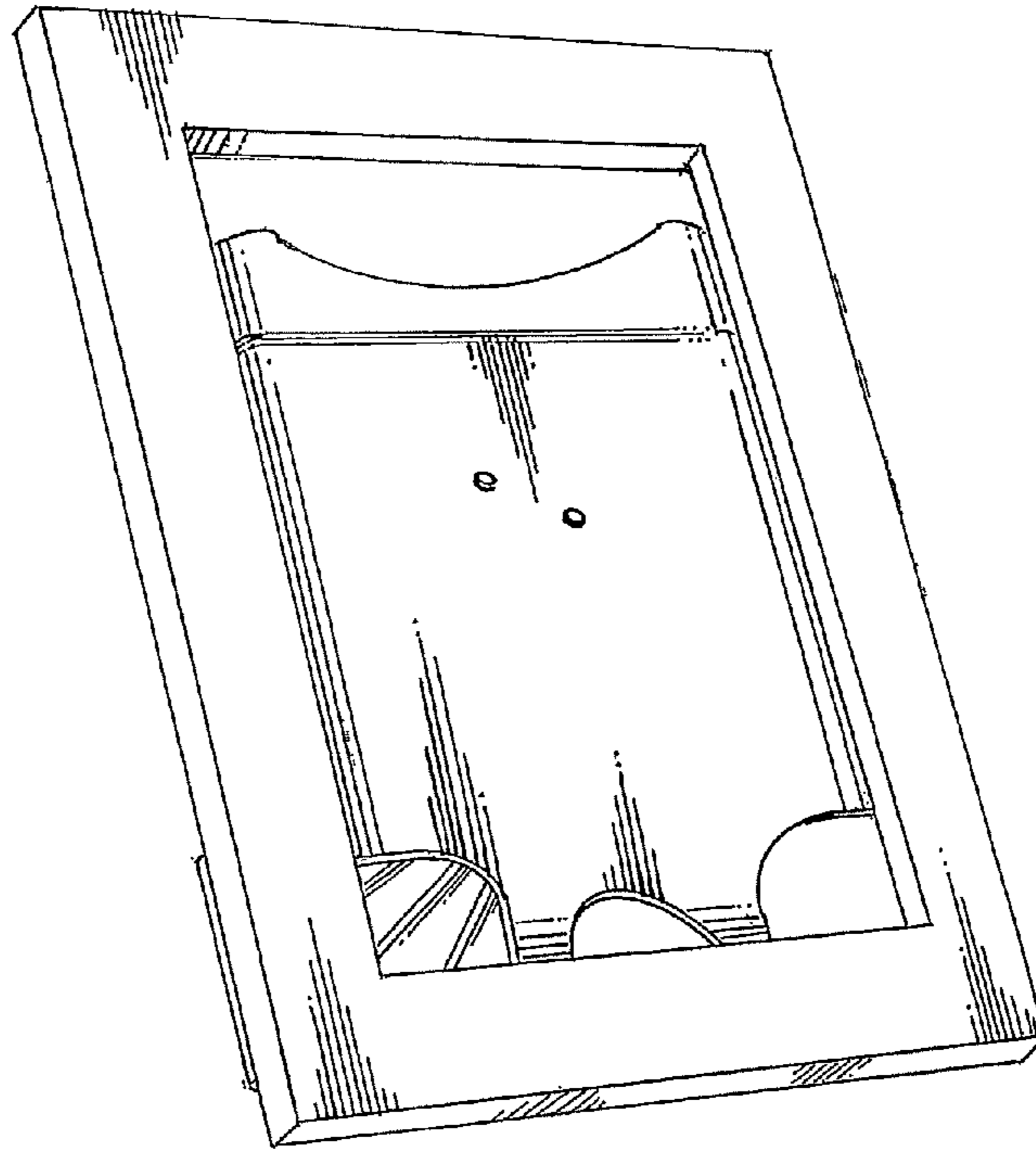
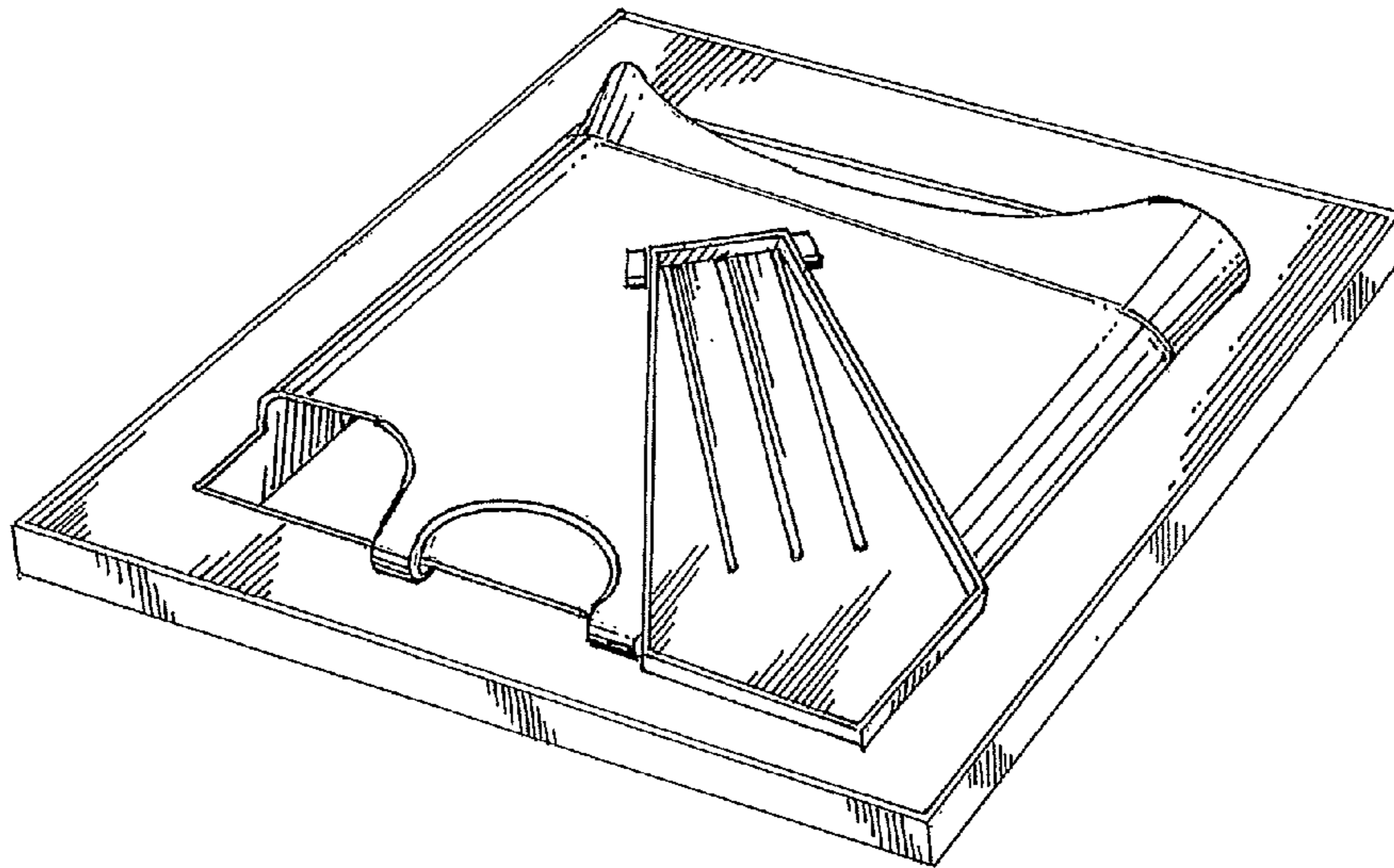


FIG. 2



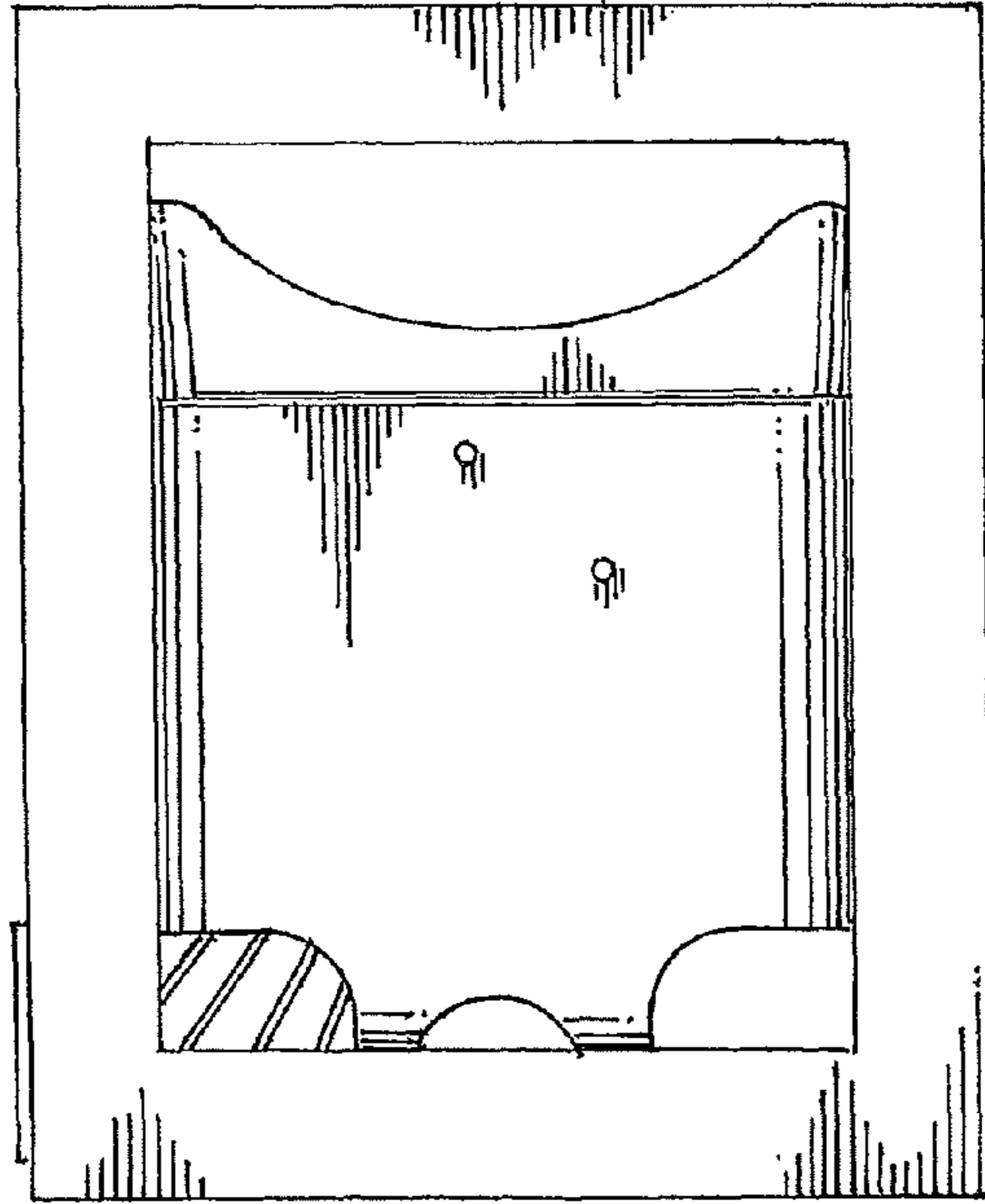


FIG. 3



FIG. 4

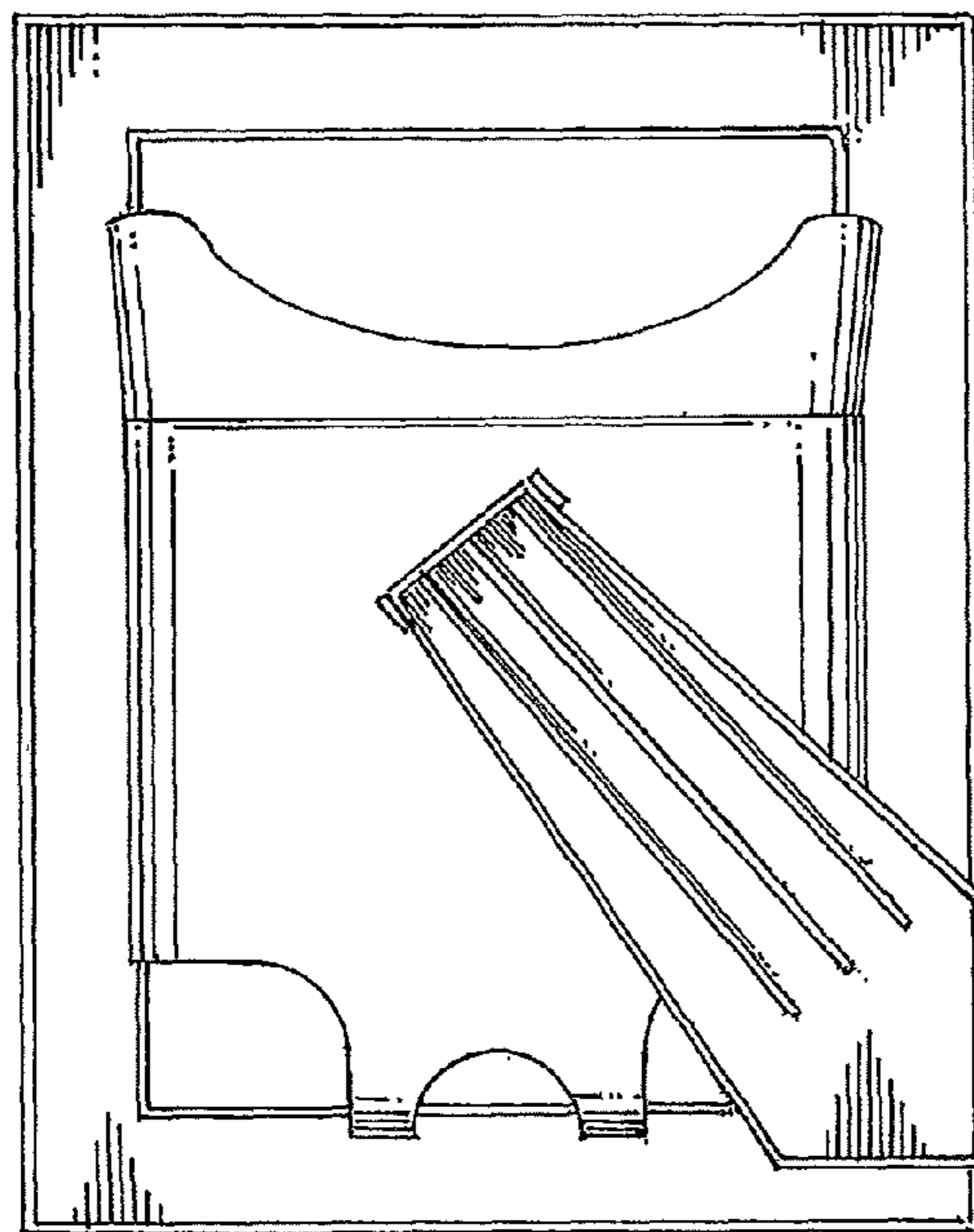


FIG. 5

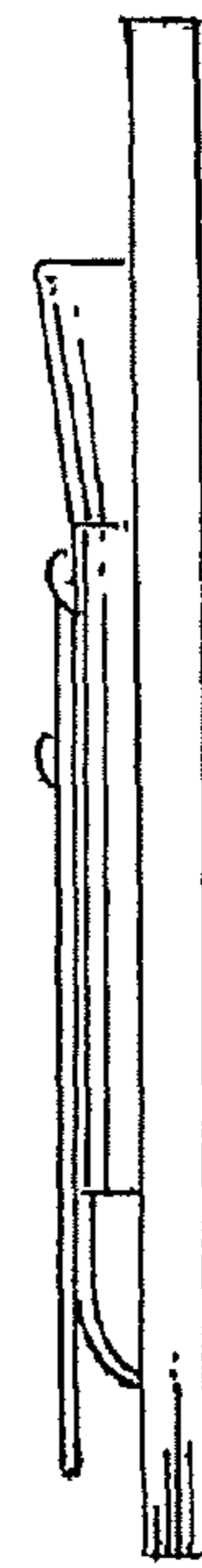


FIG. 6



FIG. 7



FIG. 8