



US00D687436S

(12) **United States Design Patent**
Penke et al.

(10) **Patent No.:** **US D687,436 S**
(45) **Date of Patent:** **** Aug. 6, 2013**

(54) **DESKTOP SCANNER**

(71) Applicant: **Xerox Corporation**, Norwalk, CT (US)

(72) Inventors: **Mark S Penke**, West Henrietta, NY (US); **Donald A Brown**, Honeoye Falls, NY (US); **Stephen F Skrainar**, Penfield, NY (US); **James B Smith**, Honeoye Falls, NY (US)

(73) Assignee: **Xerox Corporation**, Norwalk, CT (US)

(**) Term: **14 Years**

(21) Appl. No.: **29/434,776**

(22) Filed: **Oct. 17, 2012**

(51) **LOC (9) Cl.** **14-02**

(52) **U.S. Cl.**
USPC **D14/422**

(58) **Field of Classification Search**

USPC D14/420, 422, 425, 462-470, 424, D14/389, 125, 399; D18/54, 55, 50, 53, 36-39, D18/14, 18-21, 49, 46, 52, 56, 51, 54.4; D13/164, 168; 358/400, 401, 448, 474, 486-488, 496, 497, 494, 473, 302, 468, 498; 382/312, 317, 321, 315; 400/613, 613.1-613.4, 400/690.1-690.4, 691-694, 88, 175; 399/107, 399/379, 380, 211, 212; 235/462.11, 462.41, 235/472.01, 470, 462.43; 361/680, 681; 378/177, 187, 188; 101/93.4, 269; 355/78; D24/165, 169, 186; 600/502, 503, 499, 494, 600/490, 485, 500, 492, 480, 493, 495, 479; 128/900; 16/286; 347/104, 109, 5; 271/186, 271/225, 126, 121, 137, 138

See application file for complete search history.

(56) **References Cited**

U.S. PATENT DOCUMENTS

D258,959	S	*	4/1981	Clayton et al.	D18/54
D264,846	S	*	6/1982	Taguchi	D14/462
D266,671	S	*	10/1982	Turner et al.	D18/54
D276,810	S	*	12/1984	Roche	D18/54
D284,007	S	*	5/1986	Freijd	D18/54
D286,639	S	*	11/1986	Strand	D18/55
D292,976	S	*	12/1987	Kando	D14/466
D293,248	S	*	12/1987	Matsumoto	D18/54
D293,577	S	*	1/1988	Gauffin	D18/54
D315,360	S	*	3/1991	Tokuda et al.	D18/54
D315,361	S	*	3/1991	Kojima et al.	D18/55
D316,869	S	*	5/1991	Sugawara et al.	D18/54
D318,066	S	*	7/1991	Moro	D18/54
D318,684	S	*	7/1991	Irie et al.	D18/55
D326,678	S	*	6/1992	Uchibori et al.	D18/55
D333,153	S	*	2/1993	Uchibori et al.	D18/55
D333,836	S	*	3/1993	Kelemen et al.	D18/55
D337,608	S	*	7/1993	Miyamoto	D18/55
D340,740	S	*	10/1993	Kawashima	D18/50
D343,636	S	*	1/1994	Horie et al.	D18/55
D350,364	S	*	9/1994	Kawashima et al.	D18/50
D356,818	S	*	3/1995	Sekine et al.	D18/55

(Continued)

Primary Examiner — Susan Moon Lee

(74) *Attorney, Agent, or Firm* — Tallam I. Nguti

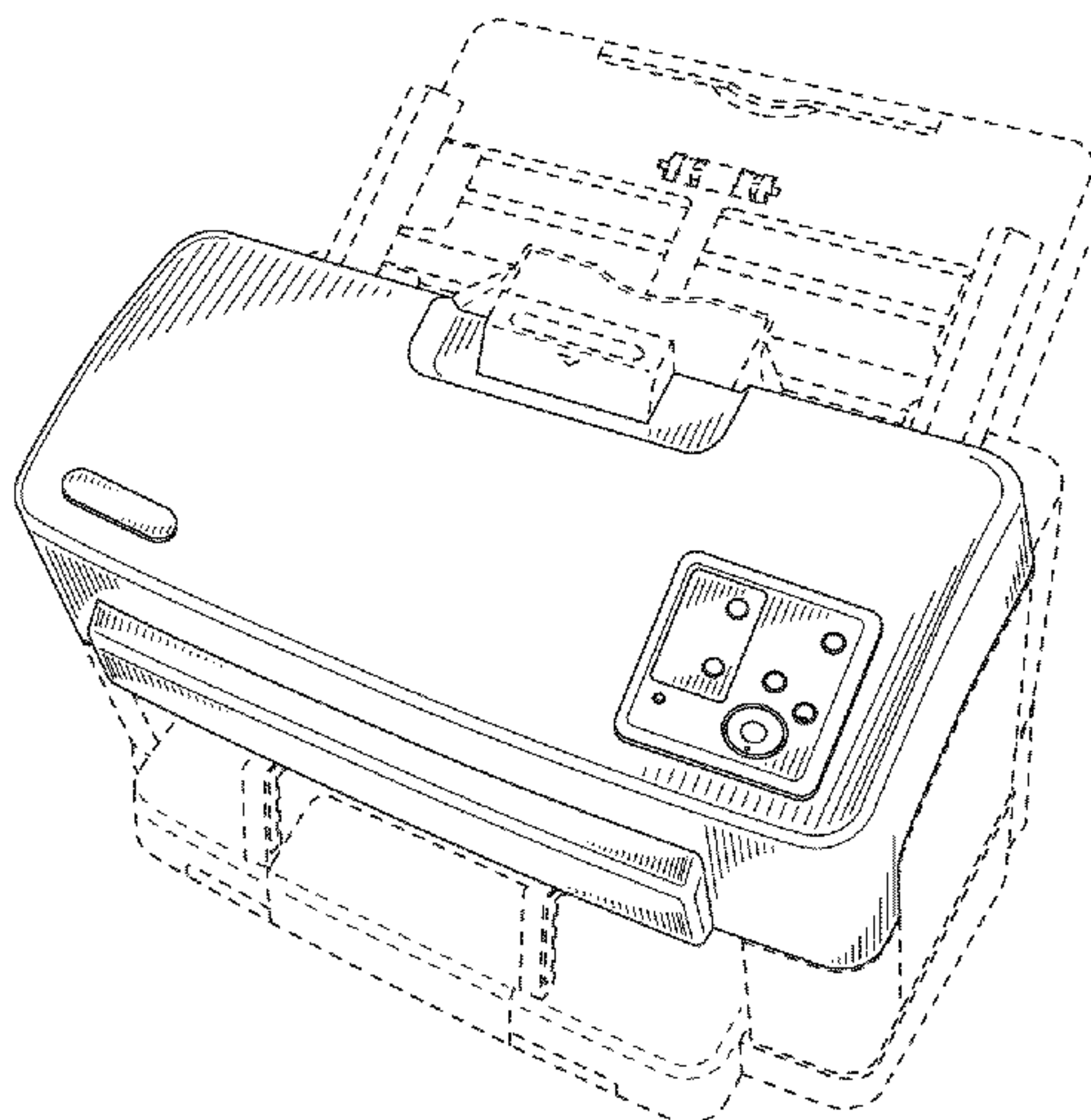
(57) **CLAIM**

The ornamental design for a desktop scanner, as shown and described.

DESCRIPTION

FIG. 1 is a perspective view of a desktop scanner in accordance with the present invention; FIG. 2 is a front view thereof; FIG. 3 is a right side view thereof; FIG. 4 is a rear view thereof; FIG. 5 is a left side view thereof; FIG. 6 is a top plan view thereof; and, FIG. 7 is a bottom plan view thereof. Broken lines and portions contained within broken lines are not claimed.

1 Claim, 7 Drawing Sheets



U.S. PATENT DOCUMENTS

D359,505	S *	6/1995	Sugimoto	D18/55
D371,158	S *	6/1996	Yoshida	D18/50
D378,598	S *	3/1997	Chiba et al.	D18/55
D379,827	S *	6/1997	Andre	D18/54
D382,583	S *	8/1997	Takahashi et al.	D18/55
D390,258	S *	2/1998	Kawahara et al.	D18/55
D392,311	S *	3/1998	Takano	D18/50
D393,870	S *	4/1998	Kobayashi et al.	D18/55
D394,452	S *	5/1998	Iwamoto et al.	D18/54
D395,332	S *	6/1998	Leong et al.	D18/55
D399,524	S *	10/1998	Nakajima	D18/50
D400,571	S *	11/1998	Shimizu	D18/54
D400,572	S *	11/1998	Sekine et al.	D18/54
D400,918	S *	11/1998	Kobayashi et al.	D18/55
D401,271	S *	11/1998	Nakajima	D18/55
D408,799	S *	4/1999	Daury	D14/385
5,896,206	A *	4/1999	Kellogg	358/498
D410,499	S *	6/1999	Smith et al.	D21/329
D411,228	S *	6/1999	Kobayashi et al.	D18/50
5,917,995	A *	6/1999	Ota	358/1.12
D413,142	S *	8/1999	Pangburn	D18/55
D414,508	S *	9/1999	Pangburn	D18/55
D419,591	S *	1/2000	Pangburn	D18/55
D422,570	S *	4/2000	Kobayashi	D14/509
D430,598	S *	9/2000	Gerstein et al.	D18/55
D430,894	S *	9/2000	Inoue	D18/54
D432,565	S *	10/2000	Gassett et al.	D18/55
D433,442	S *	11/2000	Clark, III	D18/55
D433,443	S *	11/2000	Ito et al.	D18/55
D438,895	S *	3/2001	Pangburn	D18/55
D439,607	S *	3/2001	Inoue et al.	D18/54
D441,784	S *	5/2001	Leong et al.	D18/55
D442,218	S *	5/2001	Kobayashi et al.	D18/55
D444,813	S *	7/2001	Quijano	D18/55
D445,451	S *	7/2001	Clark et al.	D18/55
D451,130	S *	11/2001	Clark et al.	D18/55
D451,540	S *	12/2001	Tokuda et al.	D18/55
D452,706	S *	1/2002	Senshiki	D18/55
D453,352	S *	2/2002	Yamano et al.	D18/55
D456,020	S *	4/2002	Obata et al.	D14/336
D456,445	S *	4/2002	Kusanagi	D18/55
D460,479	S *	7/2002	Bishop et al.	D18/55
D466,921	S *	12/2002	Senshiki	D18/54
D466,922	S *	12/2002	Tashiro	D18/54
D466,924	S *	12/2002	Wong et al.	D18/55
D468,765	S *	1/2003	Kobayashi et al.	D18/55
6,540,219	B1 *	4/2003	Naruse et al.	271/37
D475,052	S *	5/2003	Chujou et al.	D14/422
6,568,674	B2 *	5/2003	Matsuda	271/274
D476,029	S *	6/2003	Lee et al.	D18/55
D479,264	S *	9/2003	Suzuki et al.	D18/55
D489,401	S *	5/2004	Senshiki et al.	D18/54
D489,754	S *	5/2004	Akahane et al.	D18/55
D489,755	S *	5/2004	Wong et al.	D18/55
D498,786	S *	11/2004	Suzuki et al.	D18/55
D501,503	S *	2/2005	Leong et al.	D18/55
D515,623	S *	2/2006	Hattori	D18/55
D516,120	S *	2/2006	Yamano et al.	D18/55
D516,621	S *	3/2006	Kobayashi et al.	D18/55
D516,622	S *	3/2006	Suzuki et al.	D18/55
D518,826	S *	4/2006	Chujou et al.	D14/422
7,029,113	B2 *	4/2006	Hwang	347/108
D523,074	S *	6/2006	Mitani et al.	D18/54
D530,739	S *	10/2006	Tsai	D18/55
D536,373	S *	2/2007	Inoue et al.	D18/55
D537,869	S *	3/2007	Gant et al.	D18/54
D544,907	S *	6/2007	Tjin Wong Joe et al.	D18/55
D549,705	S *	8/2007	Sugitani et al.	D14/422
D558,821	S *	1/2008	Smith et al.	D18/55
D558,822	S *	1/2008	Smith et al.	D18/55
D563,413	S *	3/2008	Kuroda et al.	D14/422
D573,596	S *	7/2008	Laidlaw et al.	D14/422
D598,951	S *	8/2009	Kato et al.	D18/55
D600,745	S *	9/2009	Inoue et al.	D18/55
D603,894	S *	11/2009	Yamano et al.	D18/55
D610,146	S *	2/2010	Kuroda et al.	D14/422
D612,276	S *	3/2010	Duffy et al.	D10/81
D625,304	S *	10/2010	Armstrong	D14/307
D632,295	S *	2/2011	Kuroda	D14/422
D643,462	S *	8/2011	Yamashita et al.	D18/50
D643,874	S *	8/2011	Kim et al.	D18/55
D667,050	S *	9/2012	Takeuchi	D18/50
D682,328	S *	5/2013	Day et al.	D15/146
D682,329	S *	5/2013	Day et al.	D15/146
D683,394	S *	5/2013	Suzuki et al.	D18/50
2007/0188818	A1 *	8/2007	Westcott et al.	358/296

* cited by examiner

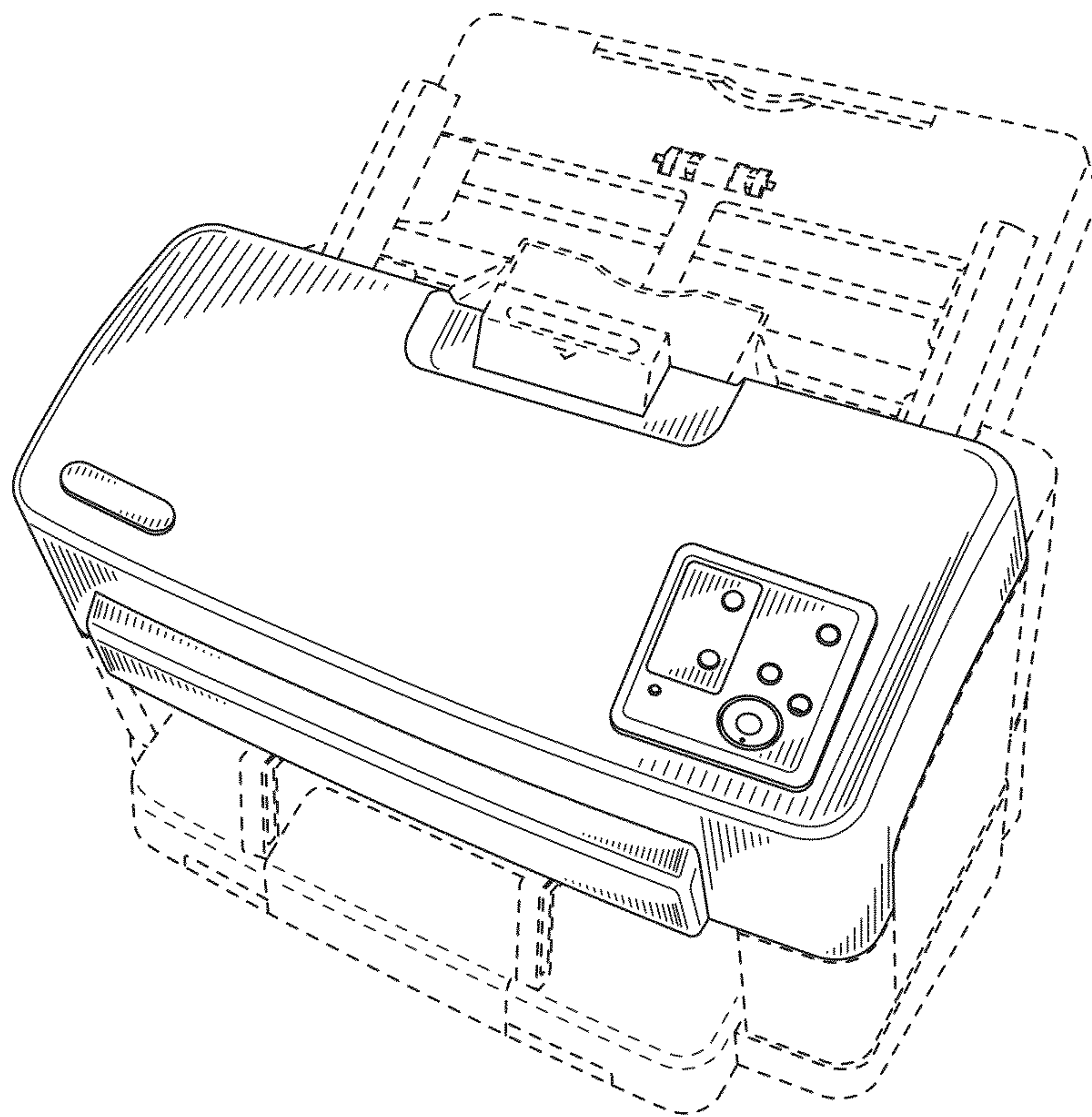


FIG. 1

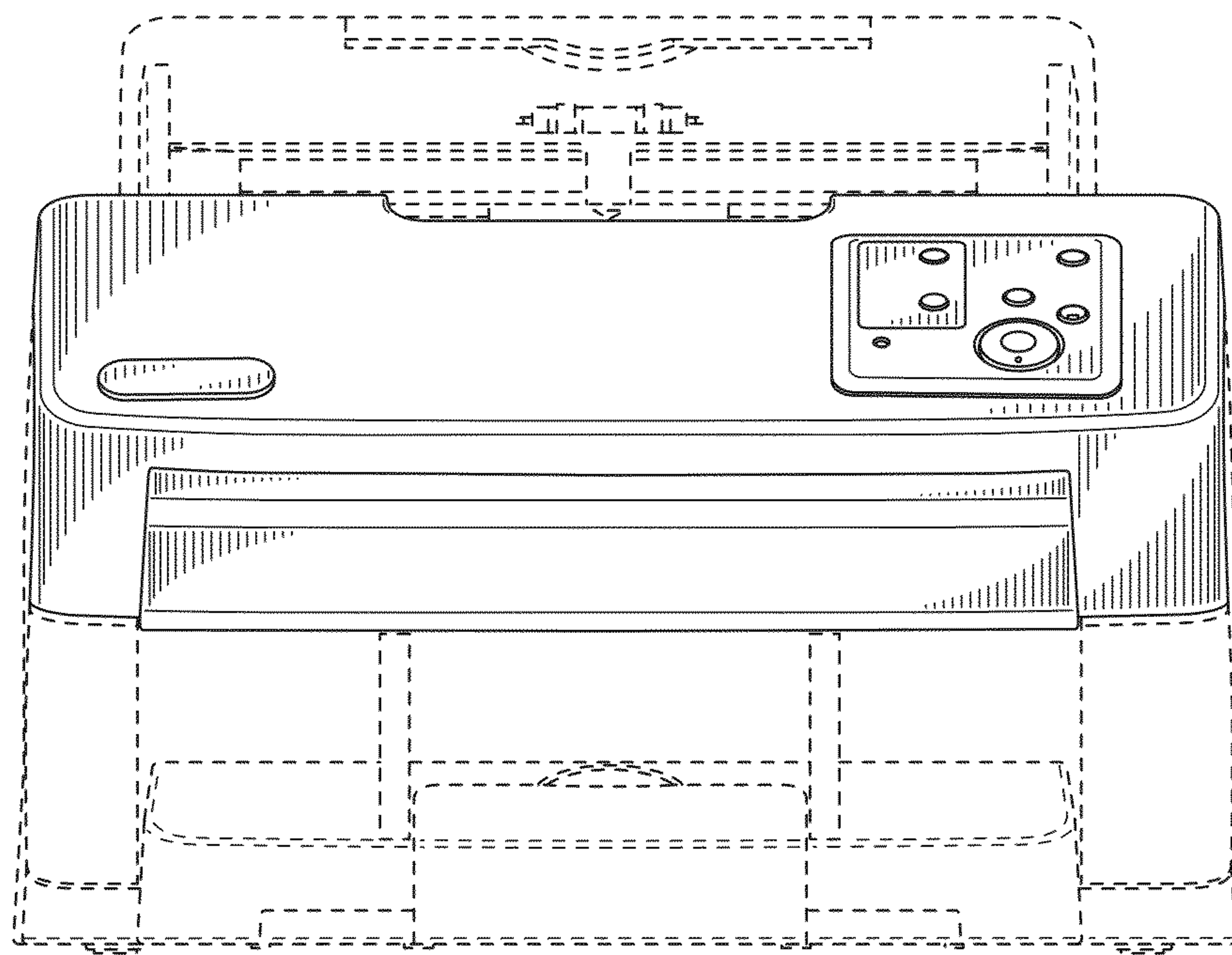


FIG. 2

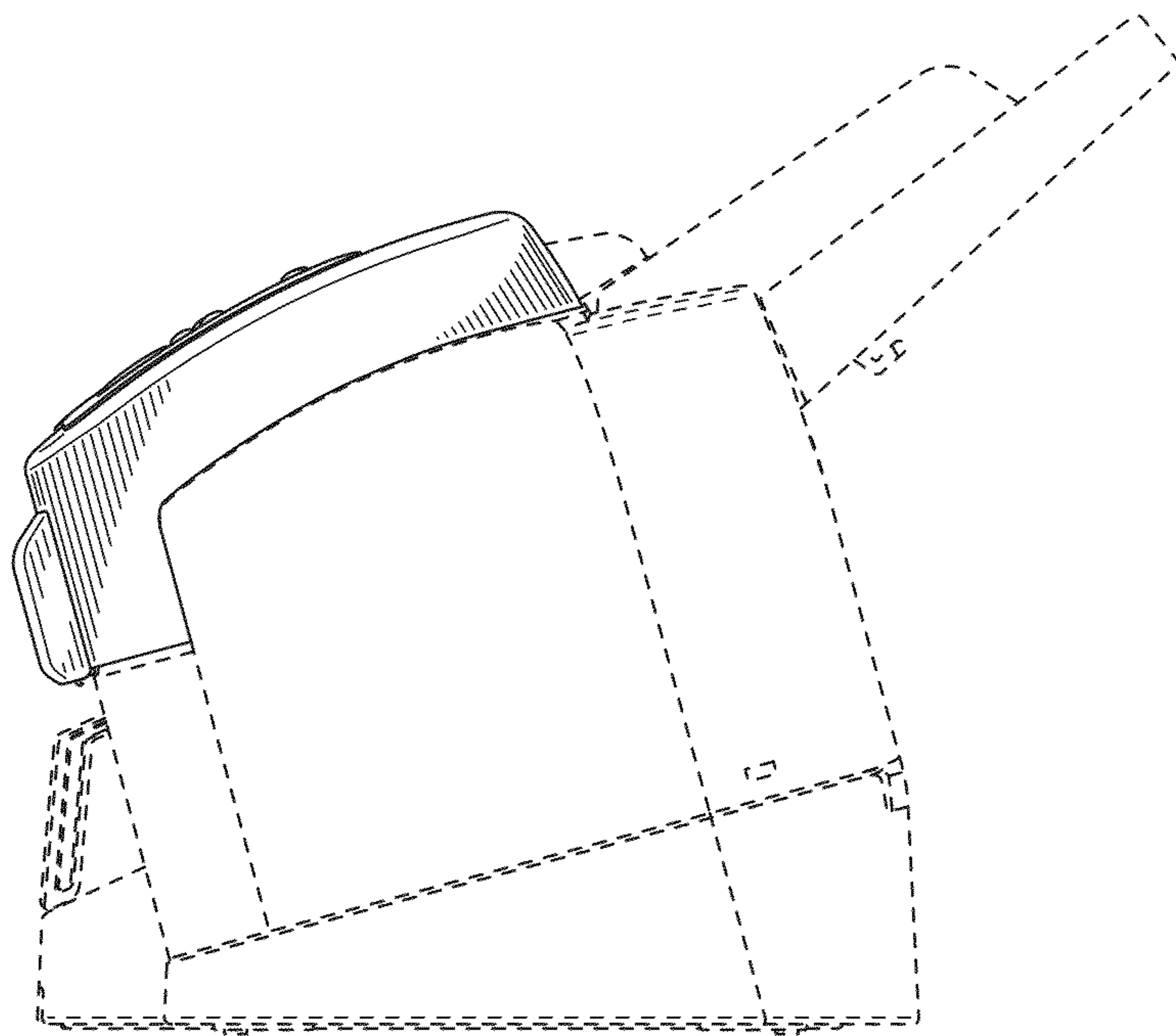


FIG. 3

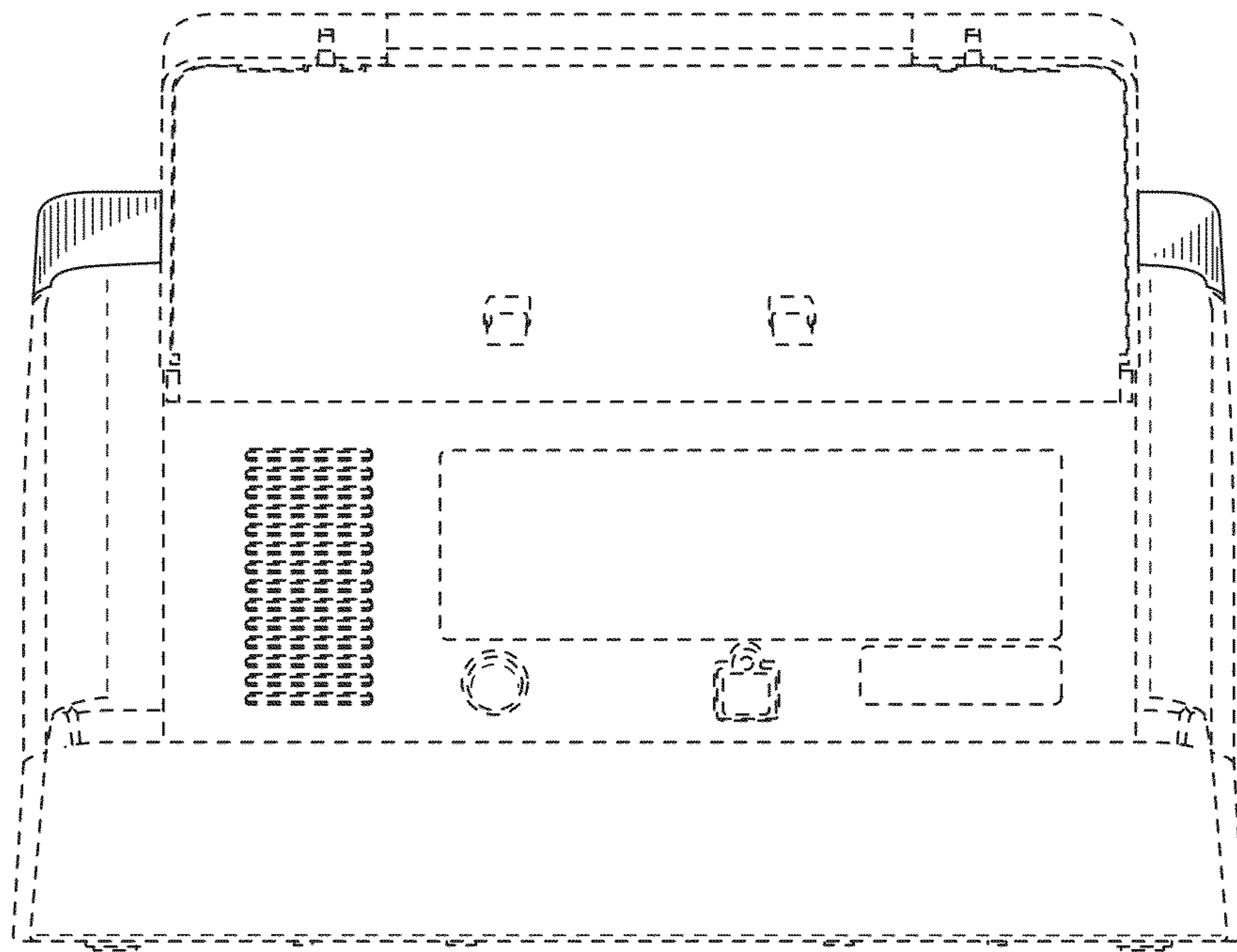


FIG. 4

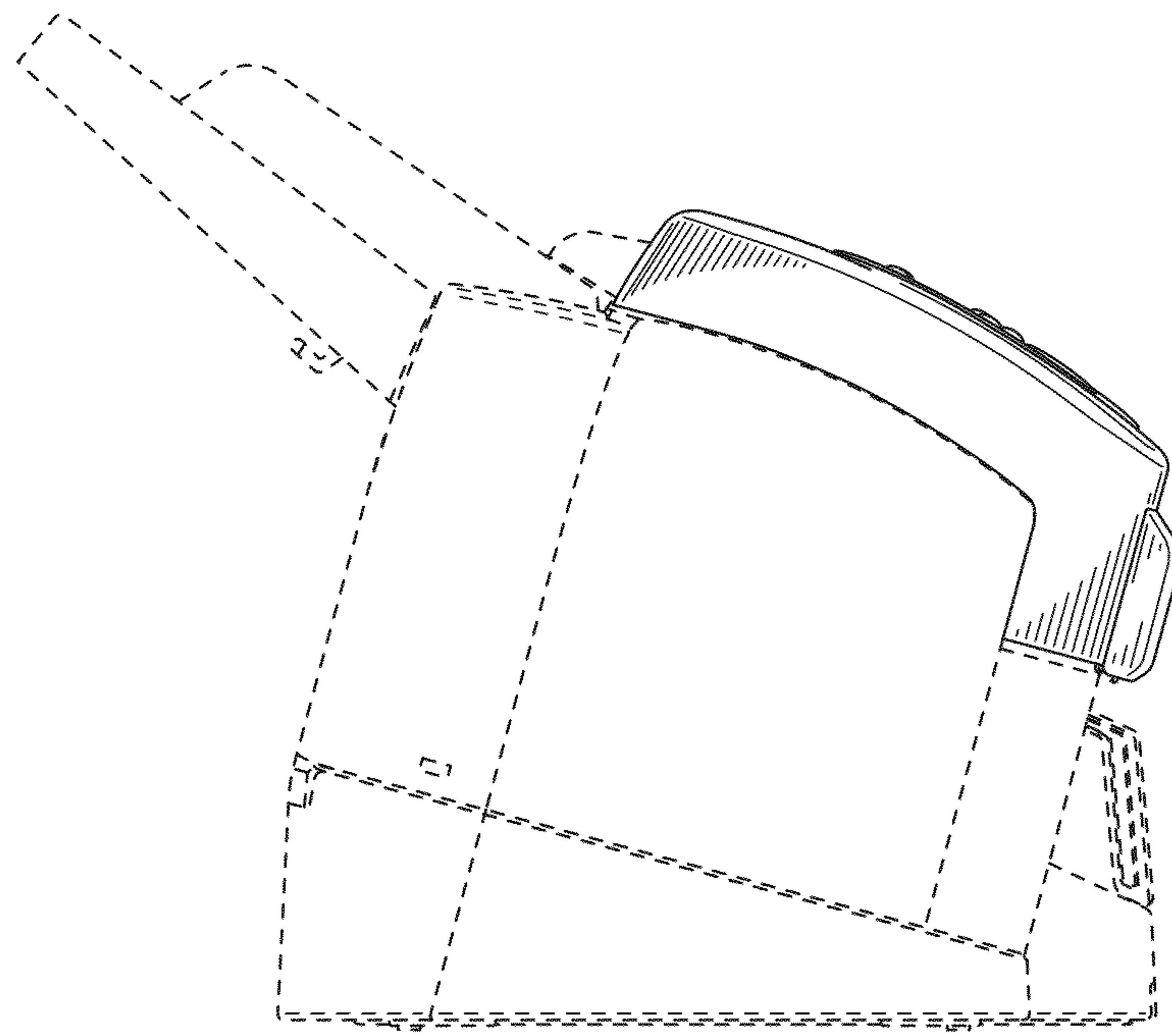


FIG. 5

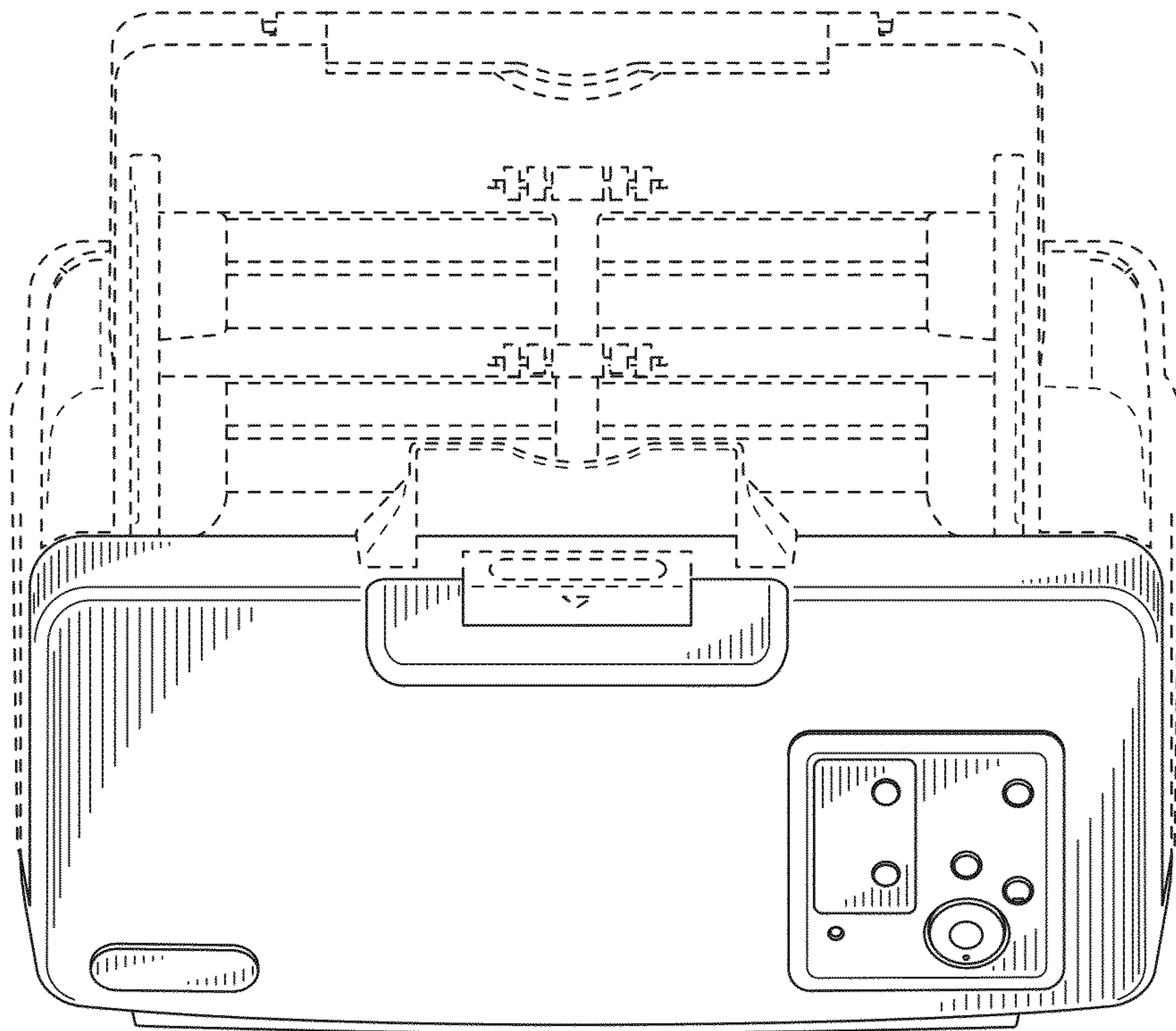


FIG. 6

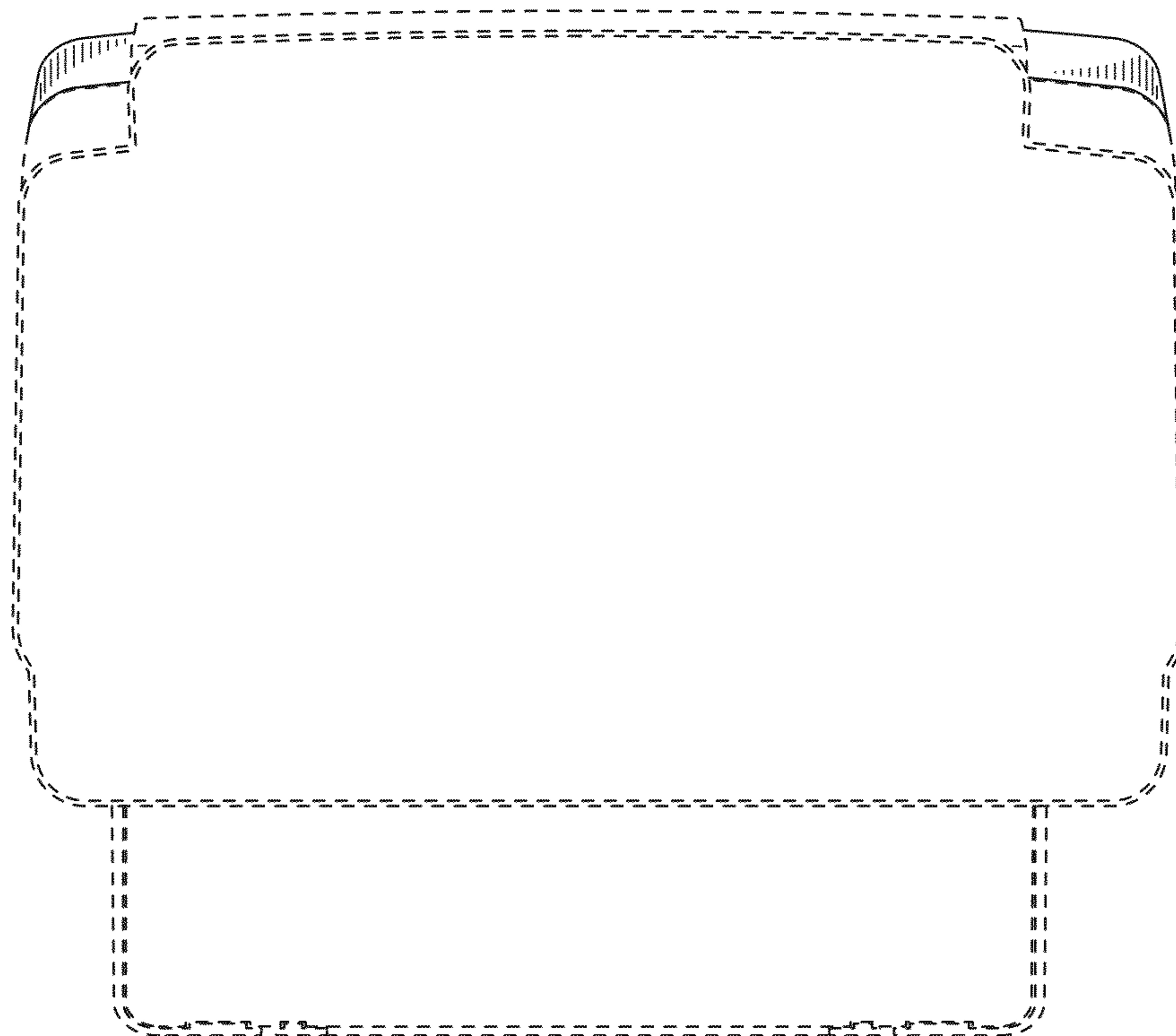


FIG. 7