



US00D687434S

(12) **United States Design Patent**
Serota

(10) **Patent No.:** **US D687,434 S**

(45) **Date of Patent:** **** Aug. 6, 2013**

(54) **HEADSET WITH ADJUSTABLE DISPLAY**

(76) Inventor: **Lee Serota**, Oswego, IL (US)

(**) Term: **14 Years**

(21) Appl. No.: **29/431,286**

(22) Filed: **Sep. 5, 2012**

(51) **LOC (9) Cl.** **14-02**

(52) **U.S. Cl.**
USPC **D14/372**

(58) **Field of Classification Search**
USPC D14/372, 496, 432, 371, 125, 126,
D14/129, 299; D16/300-342; 351/158,
351/153, 144; 345/7-9, 905; 455/344;
348/115, 53, 121, 739
See application file for complete search history.

(56) **References Cited**

U.S. PATENT DOCUMENTS

D338,514 S *	8/1993	Holmes	D14/372
D363,482 S *	10/1995	Robinson et al.	D14/372
D369,595 S *	5/1996	Kober et al.	D14/372
D370,909 S *	6/1996	Oikawa et al.	D14/372
D439,265 S *	3/2001	Hayashi	D16/300
D440,967 S *	4/2001	Jung	D14/372

D517,066 S *	3/2006	Travers et al.	D14/372
D521,493 S *	5/2006	Wai	D14/205
D571,366 S *	6/2008	Lee et al.	D14/372
D640,256 S *	6/2011	So	D14/372
D645,862 S *	9/2011	Paul	D14/372
D669,471 S *	10/2012	Hwang et al.	D14/372
D680,090 S *	4/2013	Serota	D14/126

* cited by examiner

Primary Examiner — Austin Murphy

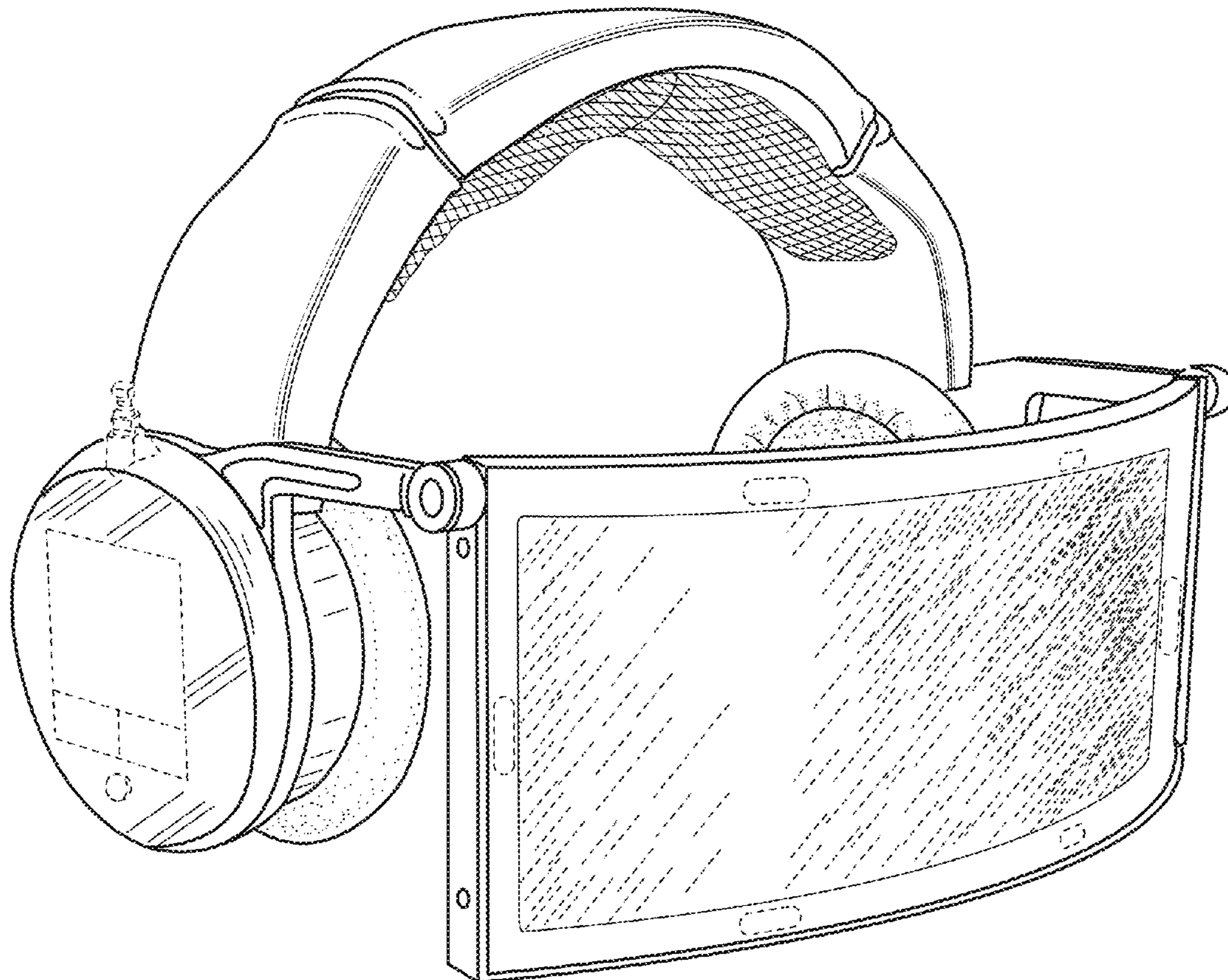
(57) **CLAIM**

The ornamental design for a headset with adjustable display, as shown and described.

DESCRIPTION

FIG. 1 is a perspective view of a headset with adjustable display;
FIG. 2 is a top plan view thereof;
FIG. 3 is a bottom plan view thereof;
FIG. 4 is a front elevational view thereof;
FIG. 5 is a rear elevational view thereof;
FIG. 6 is a left-side elevational view thereof; and,
FIG. 7 is a right-side elevational view thereof.
The broken line showing in FIGS. 1-7 is included for the purpose of showing environmental structure and forms no part of the claimed design.

1 Claim, 7 Drawing Sheets



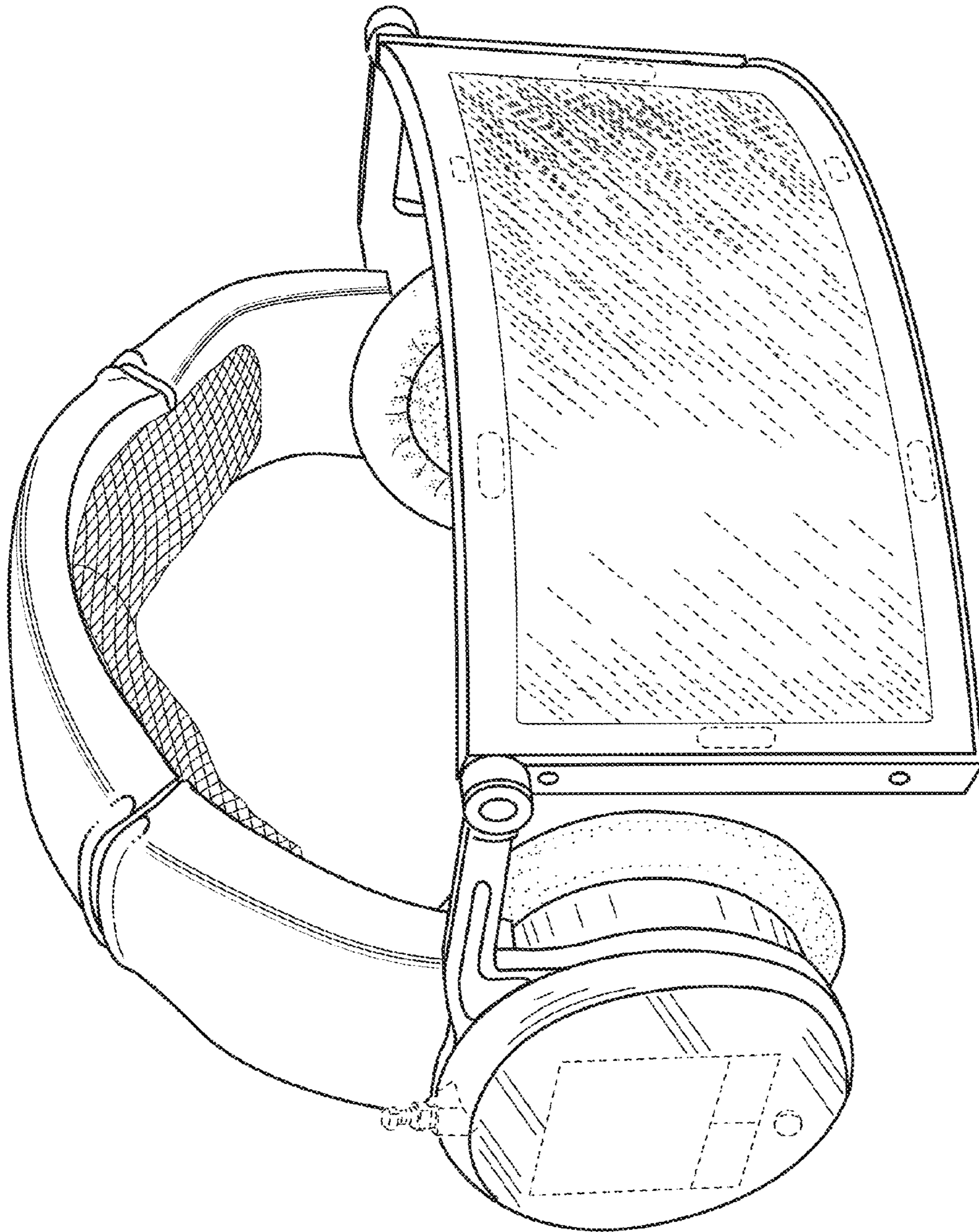


FIG. 1

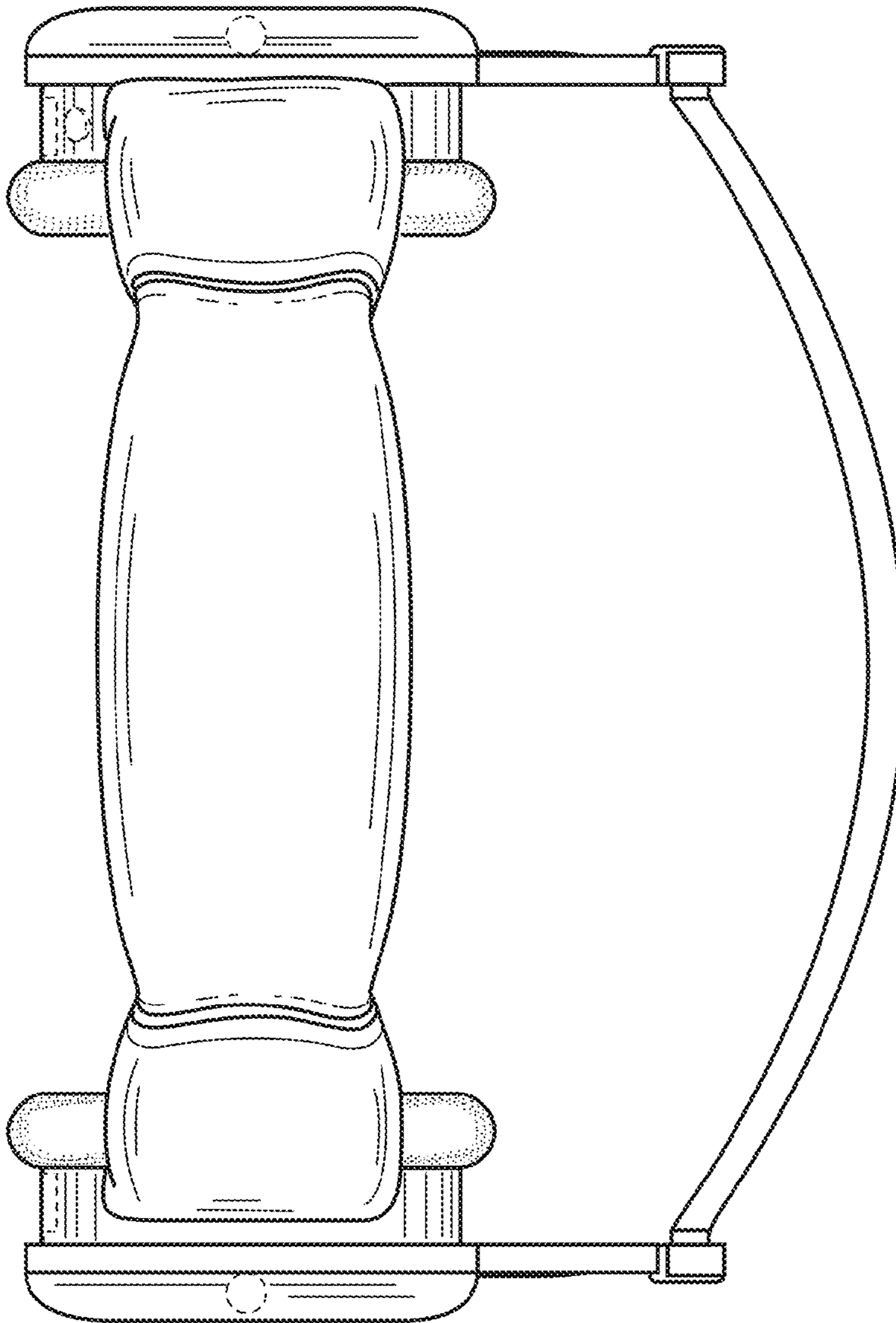


FIG. 2

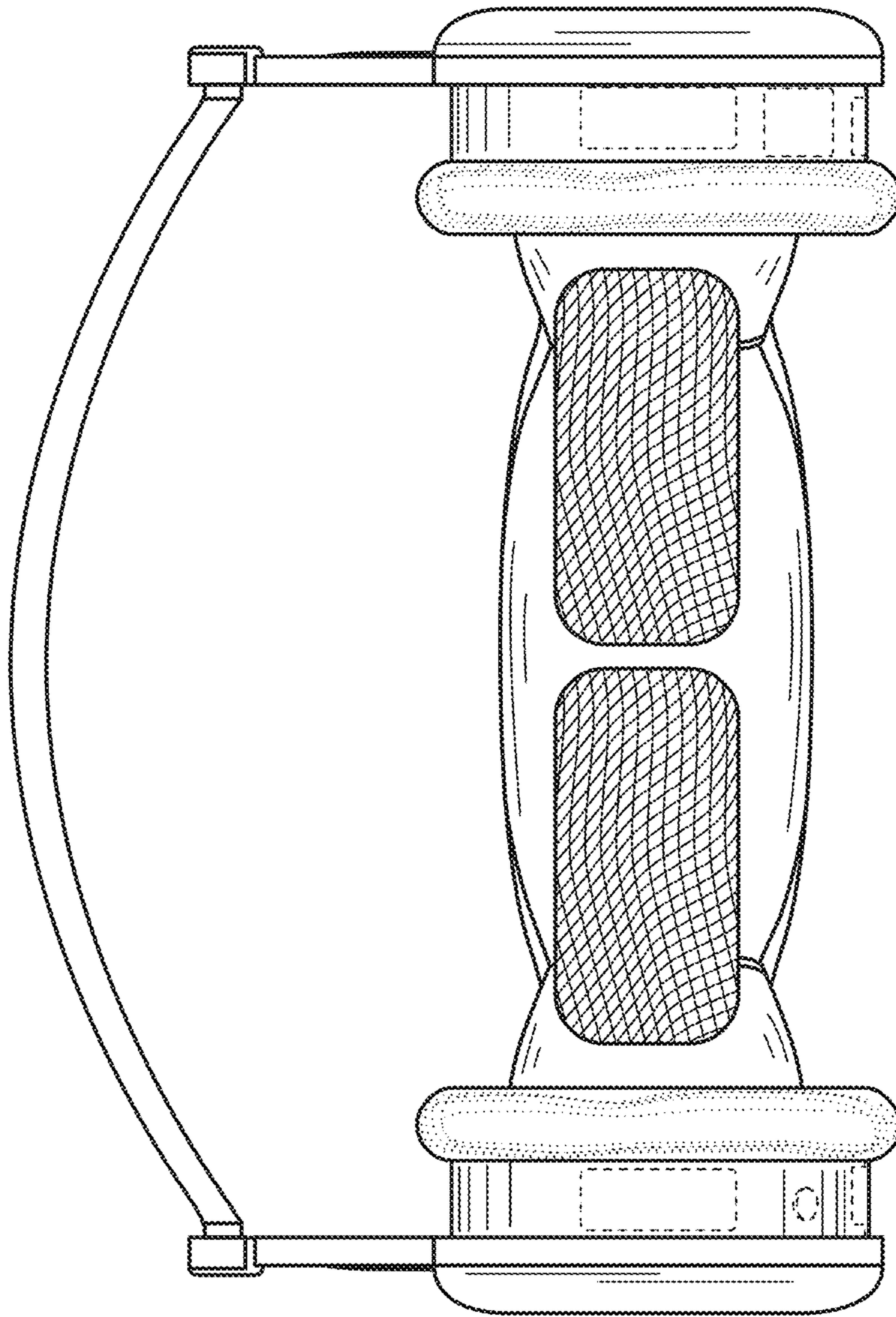


FIG. 3

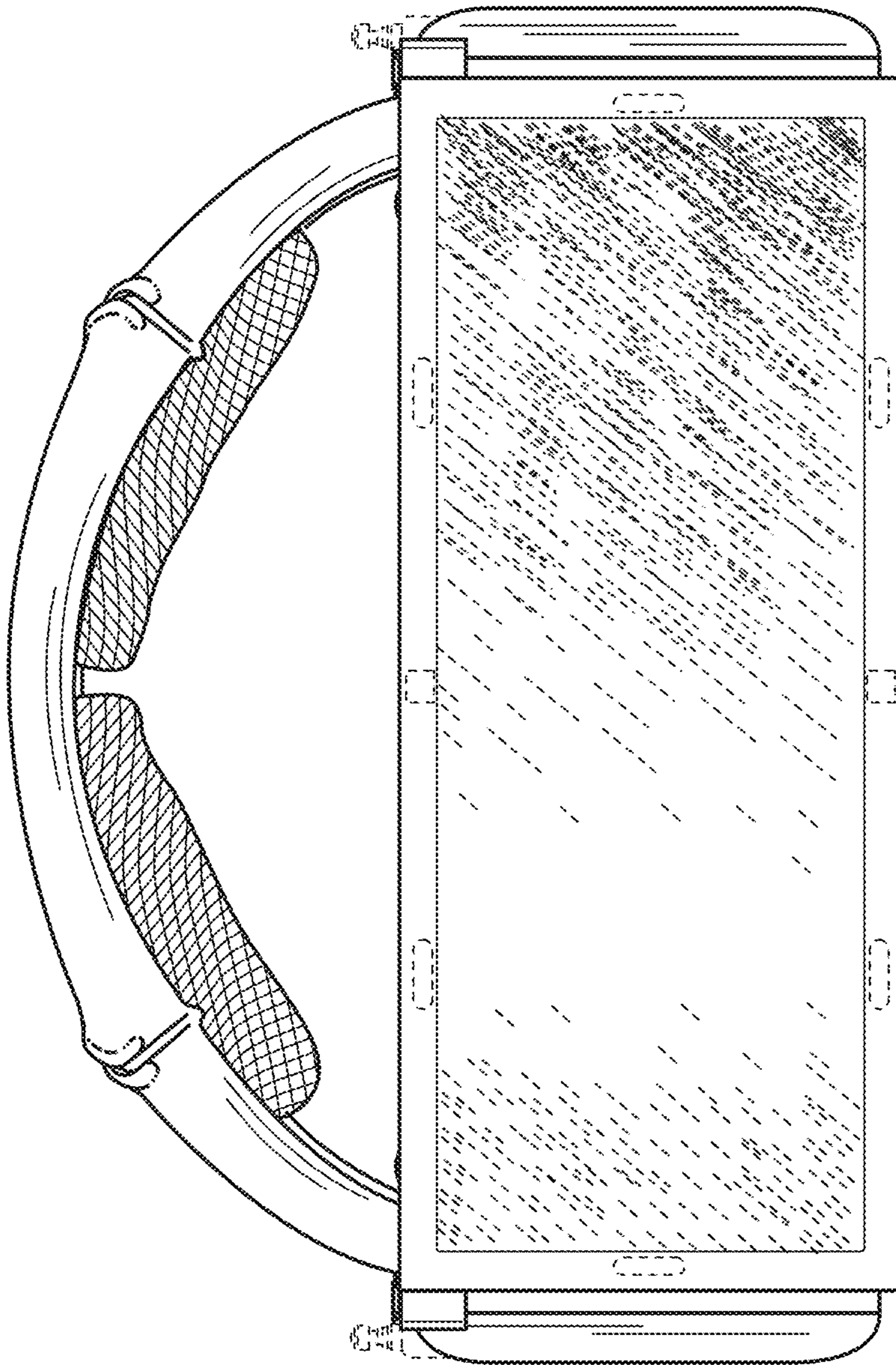


FIG. 4

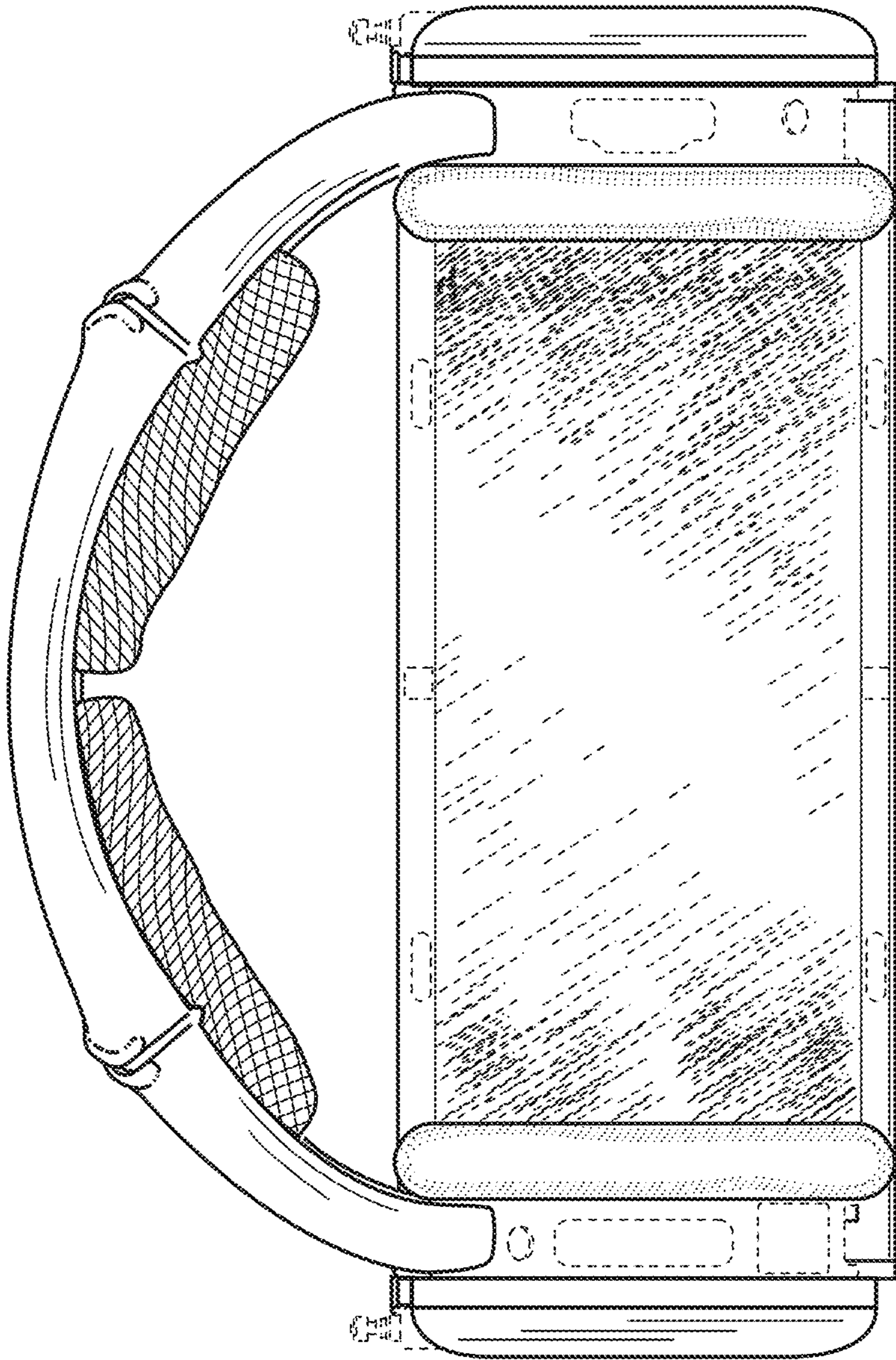


FIG. 5

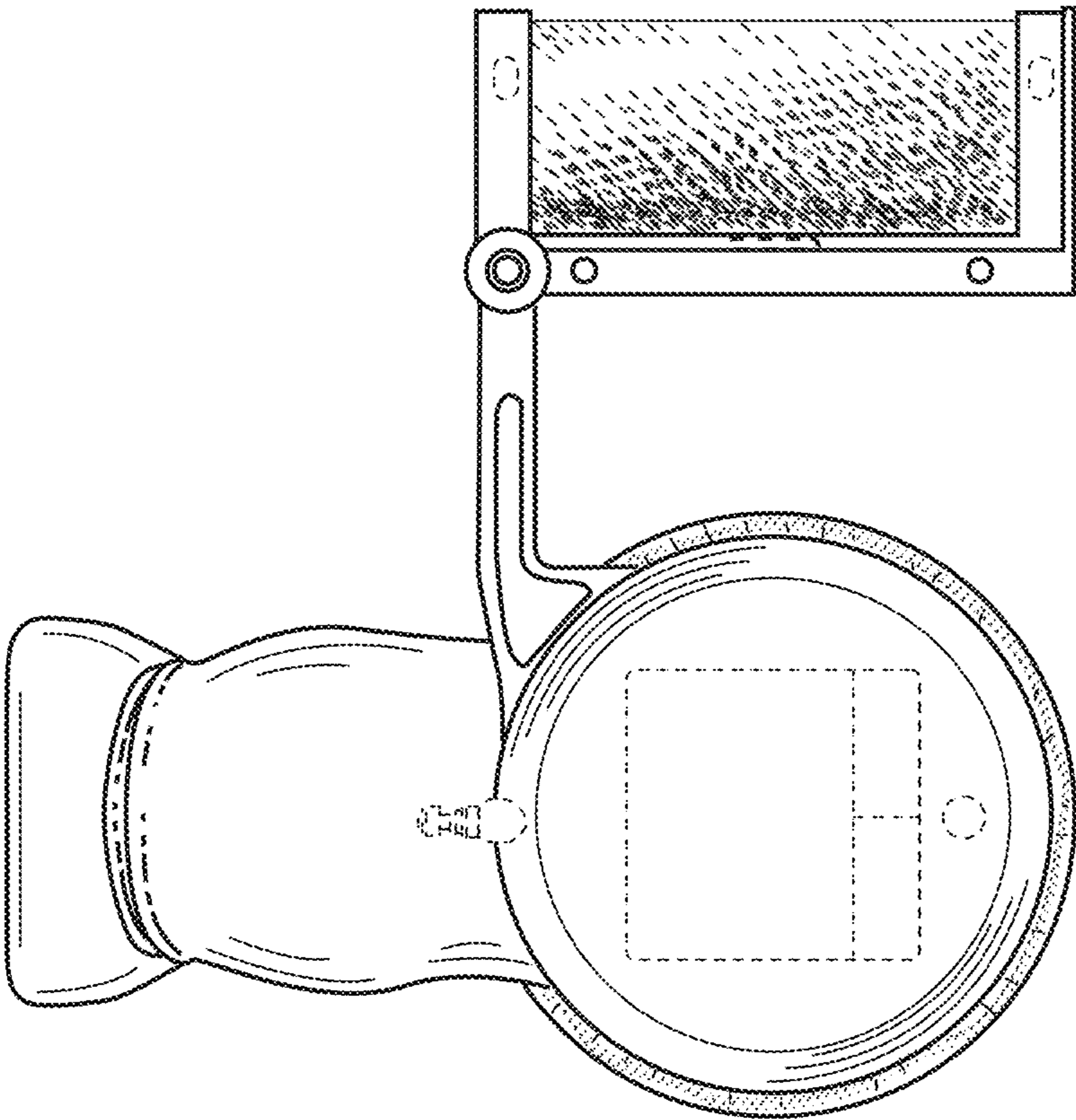


FIG. 6

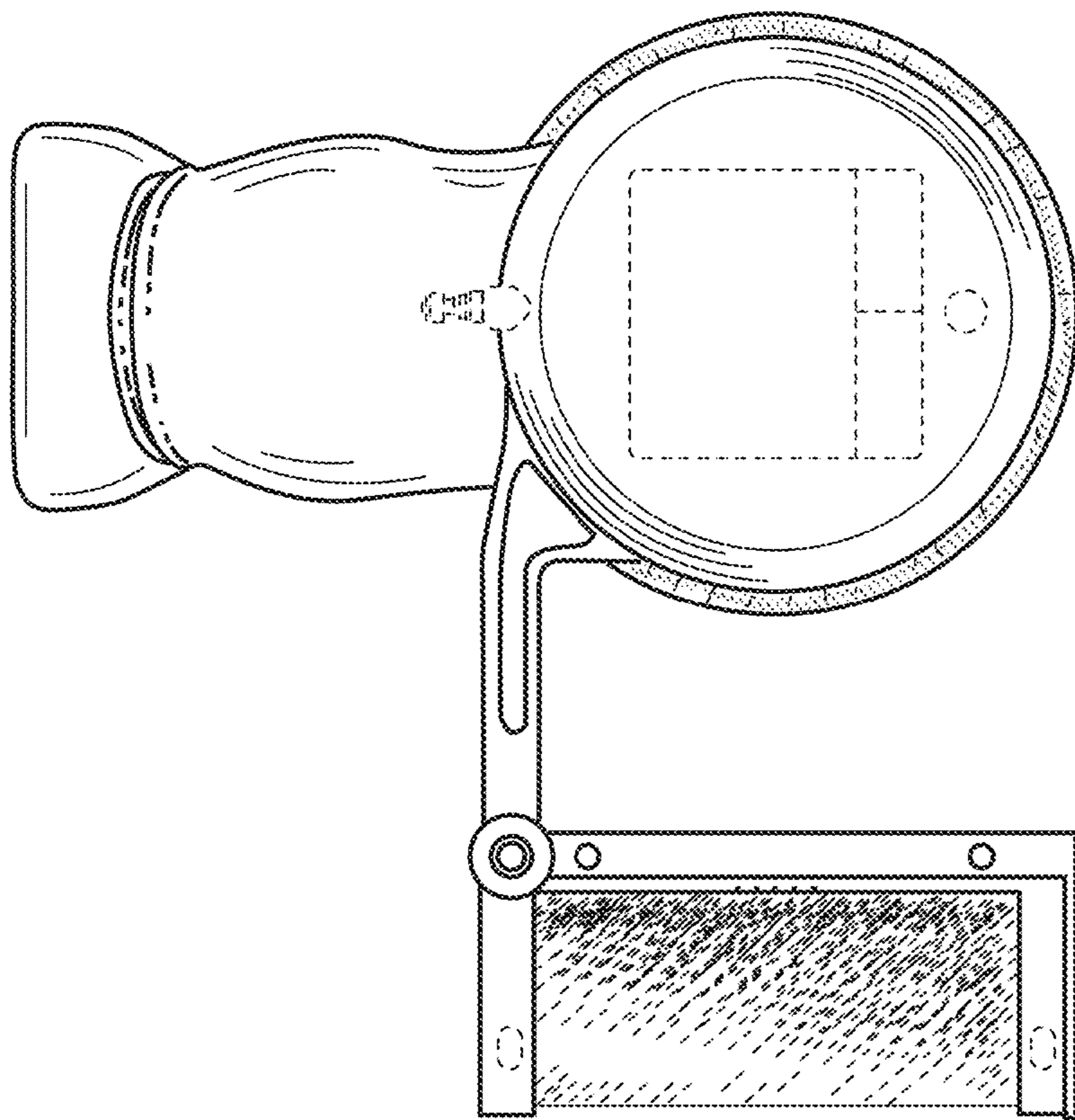


FIG. 7