



US00D687430S

(12) **United States Design Patent**  
**Park et al.**

(10) **Patent No.:** **US D687,430 S**

(45) **Date of Patent:** **\*\* Aug. 6, 2013**

(54) **NOTEBOOK COMPUTER**

(75) Inventors: **Jung-Hyun Park**, Seoul (KR);  
**Jae-Seung Song**, Seoul (KR);  
**Dong-Seok Lee**, Seoul (KR)

(73) Assignee: **Samsung Electronics Co., Ltd.**,  
Suwon-Si (KR)

(\*\*) Term: **14 Years**

(21) Appl. No.: **29/422,594**

(22) Filed: **May 22, 2012**

(30) **Foreign Application Priority Data**

Dec. 1, 2011 (KR) ..... 30-2011-0050923

(51) **LOC (9) Cl.** ..... **14-02**

(52) **U.S. Cl.**  
USPC ..... **D14/315**

(58) **Field of Classification Search**  
USPC ... D14/315-327; D18/1, 2, 7, 11; 235/145 A,  
235/145 R; 341/22, 23; 345/104, 156, 168,  
345/169, 173; 361/679.08, 679.09, 679.11,  
361/679.26, 679.27  
See application file for complete search history.

(56) **References Cited**

**U.S. PATENT DOCUMENTS**

D332,944 S	2/1993	Kim	
D334,738 S	4/1993	Kim	
D335,870 S	5/1993	Yun	
D336,465 S	6/1993	Kim	
D338,457 S	8/1993	Kim	
D348,442 S	7/1994	Yoon	
D492,678 S	7/2004	Kim et al.	
6,775,129 B1 *	8/2004	Ghosh et al.	361/679.27
6,781,819 B2 *	8/2004	Yang et al.	361/679.09
6,785,128 B1 *	8/2004	Yun	361/679.27
6,972,946 B2	12/2005	Hamada et al.	
7,012,802 B2	3/2006	Nakajima et al.	
D523,010 S	6/2006	Paek et al.	
D523,431 S	6/2006	Yoon	
D523,851 S	6/2006	Jeong et al.	

D523,852 S	6/2006	Kim et al.
D524,306 S	7/2006	Yun et al.
D524,307 S	7/2006	Kim et al.
D535,652 S	1/2007	Lee et al.
D547,309 S	7/2007	Yoon

(Continued)

**FOREIGN PATENT DOCUMENTS**

KR	3005506890000	1/2010
KR	3005869900000	1/2010

(Continued)

**OTHER PUBLICATIONS**

U.S. Appl. No. 29/397,041, Applicant: Ryu et al., filed Jul. 11, 2011  
entitled Netbook Computer.  
U.S. Appl. No. 29/403,100, Applicant: Lee, et al., filed Sep. 30, 2011  
entitled Notebook Computer.  
U.S. Appl. No. 29/403,114, Applicant: Fukusawa, et al., filed Sep. 30,  
2011 entitled Notebook Computer.

(Continued)

*Primary Examiner* — Freda S Nunn  
(74) *Attorney, Agent, or Firm* — Wood, Herron & Evans,  
LLP

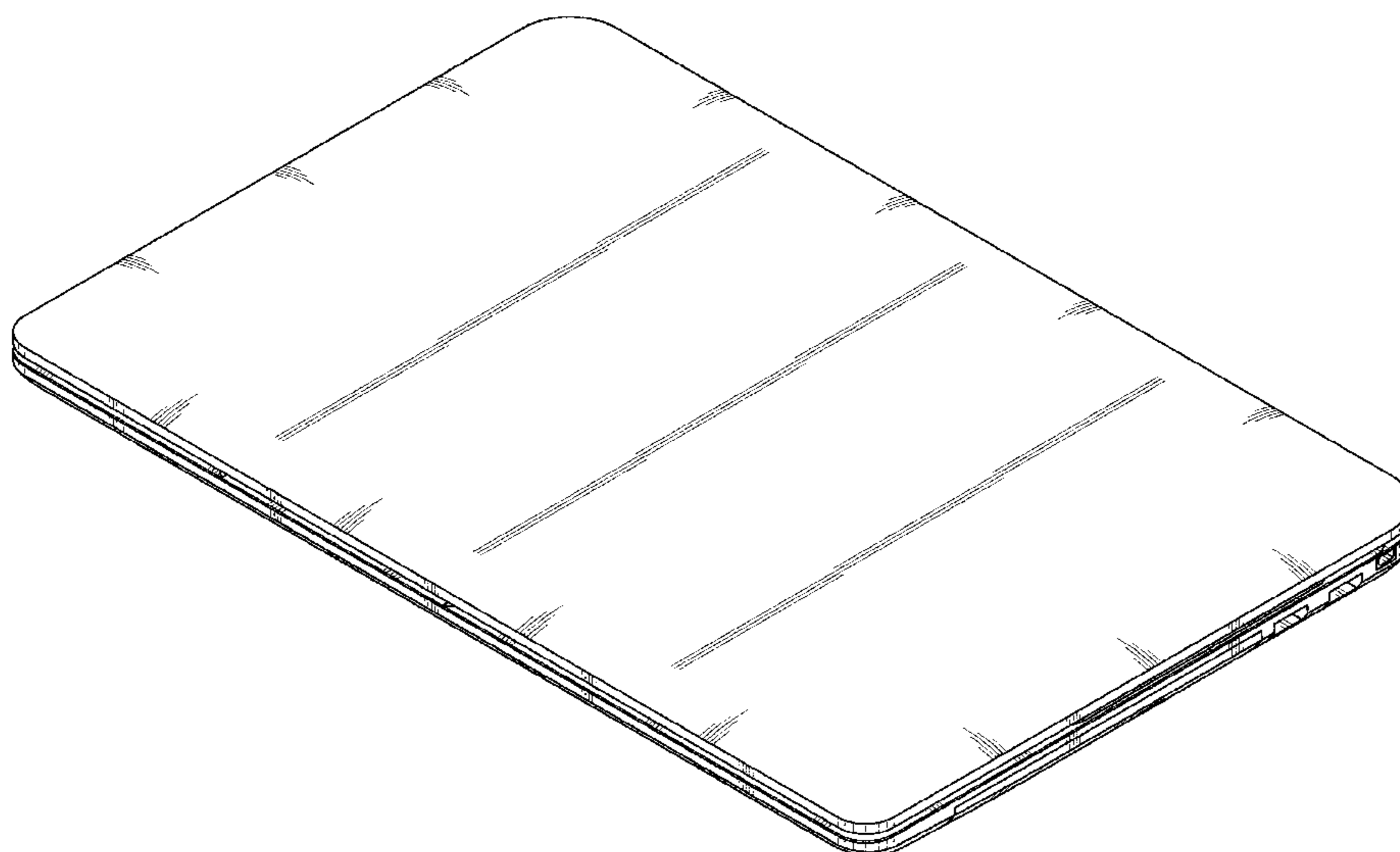
(57) **CLAIM**

The ornamental design for a notebook computer, as shown  
and described.

**DESCRIPTION**

FIG. 1 is a top front perspective view of a notebook computer  
showing our new design;  
FIG. 2 is a front elevational view thereof;  
FIG. 3 is a rear elevational view thereof;  
FIG. 4 is a left side elevational view thereof;  
FIG. 5 is a right side elevational view thereof;  
FIG. 6 is a top plan view thereof; and,  
FIG. 7 is a bottom plan view thereof.

**1 Claim, 4 Drawing Sheets**



U.S. PATENT DOCUMENTS

D547,310	S	7/2007	Yoon	
D556,192	S	11/2007	Jeong et al.	
D567,236	S	4/2008	Yoon	
D578,523	S	10/2008	Yoon	
D578,524	S	10/2008	Yoon	
D578,525	S	10/2008	Yoon	
D580,432	S	11/2008	Yun et al.	
D586,343	S	2/2009	Lee et al.	
D586,796	S	2/2009	Lee et al.	
D586,797	S	2/2009	Kawase et al.	
D587,701	S	3/2009	Yoon	
D596,633	S	7/2009	Kawase et al.	
D603,391	S	11/2009	Song et al.	
D603,392	S	11/2009	Jeong et al.	
D603,393	S	11/2009	Paek	
D603,394	S	11/2009	Lee	
D603,395	S	11/2009	Hong et al.	
D603,861	S	11/2009	Hong et al.	
D606,067	S	12/2009	Yoon	
D606,068	S	12/2009	Hong et al.	
D606,069	S	12/2009	Heck et al.	
D606,070	S	12/2009	Heck et al.	
D606,534	S	12/2009	Hong et al.	
D608,777	S	1/2010	Yoon	
D611,468	S	3/2010	Yun et al.	
D614,614	S	4/2010	Yoon	
D614,615	S	4/2010	Yoon	
D622,268	S	8/2010	Hong et al.	
D626,543	S	11/2010	Hagen	
D627,341	S	11/2010	Yoon	
D627,773	S	11/2010	Paek	
D628,195	S	11/2010	Yoon	
D631,040	S	1/2011	Yoon et al.	
D631,471	S	1/2011	Jensen et al.	
D631,472	S	1/2011	Kawase et al.	
D631,473	S	1/2011	Lee et al.	
D631,878	S	2/2011	Jensen et al.	
D631,879	S	2/2011	Kawase	
D633,487	S	3/2011	Kim et al.	
D633,488	S	3/2011	Kim et al.	
D633,489	S	3/2011	Kim et al.	
D633,490	S	3/2011	Kim et al.	
7,916,889	B2 *	3/2011	Takakusaki .....	361/679.09
D636,388	S	4/2011	Kawase	
D638,416	S	5/2011	Kawase	
D641,748	S	7/2011	Kawase	
D643,031	S	8/2011	Yoon et al.	
D643,032	S	8/2011	Heck et al.	
D643,425	S	8/2011	Jung et al.	
D646,677	S	10/2011	Moon et al.	
D649,542	S	11/2011	Yoon et al.	
D650,325	S	12/2011	Kim et al.	
D650,378	S	12/2011	Lee et al.	
D650,379	S	12/2011	Paek et al.	
D651,206	S	12/2011	Kim et al.	
D651,597	S	1/2012	Lee et al.	
D651,598	S	1/2012	Kim et al.	
D651,599	S	1/2012	Kim et al.	
D651,600	S	1/2012	Lee et al.	
D652,415	S	1/2012	Lee et al.	
D652,416	S	1/2012	Park et al.	
D652,417	S	1/2012	Lee et al.	
D652,831	S	1/2012	Lee et al.	
D653,669	S	2/2012	Kim et al.	
D657,785	S	4/2012	Lee et al.	
8,149,222	B2	4/2012	Hsieh et al.	
D661,294	S	6/2012	Park et al.	
D661,295	S	6/2012	Park et al.	
D661,298	S	6/2012	Park et al.	
D661,299	S	6/2012	Kim et al.	
D661,300	S	6/2012	Kim et al.	
D661,301	S	6/2012	Kim et al.	
D661,302	S	6/2012	Fukasawa et al.	
2005/0018396	A1	1/2005	Nakajima et al.	
2005/0041378	A1	2/2005	Hamada et al.	
2009/0231292	A1	9/2009	Hsieh et al.	

FOREIGN PATENT DOCUMENTS

KR	3005544080000	3/2010
KR	3005639120000	6/2010
KR	3005639130000	6/2010
KR	3005680110000	7/2010
KR	3005804720000	11/2010
KR	3005942330000	4/2011
KR	3005958550000	4/2011
KR	3006013110001	6/2011
KR	3006013130000	6/2011
KR	3006013160000	6/2011
KR	3006013170000	6/2011
KR	3006052790000	7/2011
KR	3006052810000	7/2011
KR	3006052820000	7/2011
KR	3006052830000	7/2011
KR	3006059710000	7/2011
KR	3006063210000	7/2011
KR	3006064090000	7/2011
KR	3006083610000	8/2011
KR	3006083630000	8/2011
KR	3006083640000	8/2011
KR	3006083650000	8/2011
KR	3006083710000	8/2011
KR	3006083730000	8/2011
KR	3006085180000	8/2011

OTHER PUBLICATIONS

U.S. Appl. No. 29/403,103, Applicant: Lee, et al., filed Sep. 30, 2011 entitled Notebook Computer.  
 U.S. Appl. No. 29/403,119, Applicant: Lee, et al., filed Sep. 30, 2011 entitled Notebook Computer.  
 U.S. Appl. No. 29/403,094, Applicant: Se-O Lee., filed Sep. 30, 2011 entitled Notebook Computer.  
 U.S. Appl. No. 29/405,517, Applicant: Kim, et al., filed Nov. 3, 2011 entitled Notebook Computer.  
 U.S. Appl. No. 29/419,063, Applicant: Kim, et al., filed May 2, 2012 entitled Notebook Computer.  
 U.S. Appl. No. 29/419,062, Applicant: Kim, et al., filed May 2, 2012 entitled Notebook Computer.  
 U.S. Appl. No. 29/419,897, Applicant: Kim, et al., filed May 2, 2012 entitled Notebook Computer.  
 U.S. Appl. No. 29/419,903, Applicant: Kim, et al., filed May 2, 2012 entitled Notebook Computer.  
 U.S. Appl. No. 29/419,914, Applicant: Park, et al., filed May 2, 2012 entitled Notebook Computer.  
 U.S. Appl. No. 29/419,915, Applicant: Kim, et al., filed May 2, 2012 entitled Notebook Computer.  
 U.S. Appl. No. 29/422,581, Applicant: Park, et al., filed May 22, 2012 entitled Notebook Computer.  
 U.S. Appl. No. 29/422,779, Applicant: Tae-Yun Kim, filed May 23, 2012 entitled Notebook Computer.  
 U.S. Appl. No. 29/423,726, Applicant: Lee, et al., filed Jun. 4, 2012 entitled Notebook Computer.  
 U.S. Appl. No. 29/423,727, Applicant: Lee, et al., filed Jun. 4, 2012 entitled Notebook Computer.  
 U.S. Appl. No. 29/424,453, Applicant: Lee, et al., filed Jun. 12, 2012 entitled Notebook Computer.  
 U.S. Appl. No. 29/424,462, Applicant: Sang-Eun Lee, filed Jun. 12, 2012 entitled Netbook Computer.  
 U.S. Appl. No. 29/424,073, Applicant: Lee, et al., filed Jun. 7, 2012 entitled Notebook Computer.  
 U.S. Appl. No. 29/425,225, Applicant: Jung, et al., filed Jun. 20, 2012 entitled Portable Computer.  
 U.S. Appl. No. 29/425,446, Applicant: Kim, et al., filed Jun. 22, 2012 entitled Portable Computer.  
 U.S. Appl. No. 29/425,732, Applicant: Park, et al., filed Jun. 26, 2012 entitled Portable Computer.  
 U.S. Appl. No. 29/425,828, Applicant: Kim, et al., filed Jun. 27, 2012 entitled Portable Computer.  
 U.S. Appl. No. 29/425,836, Applicant: Park, et al., filed Jun. 27, 2012 entitled Portable Computer.

\* cited by examiner

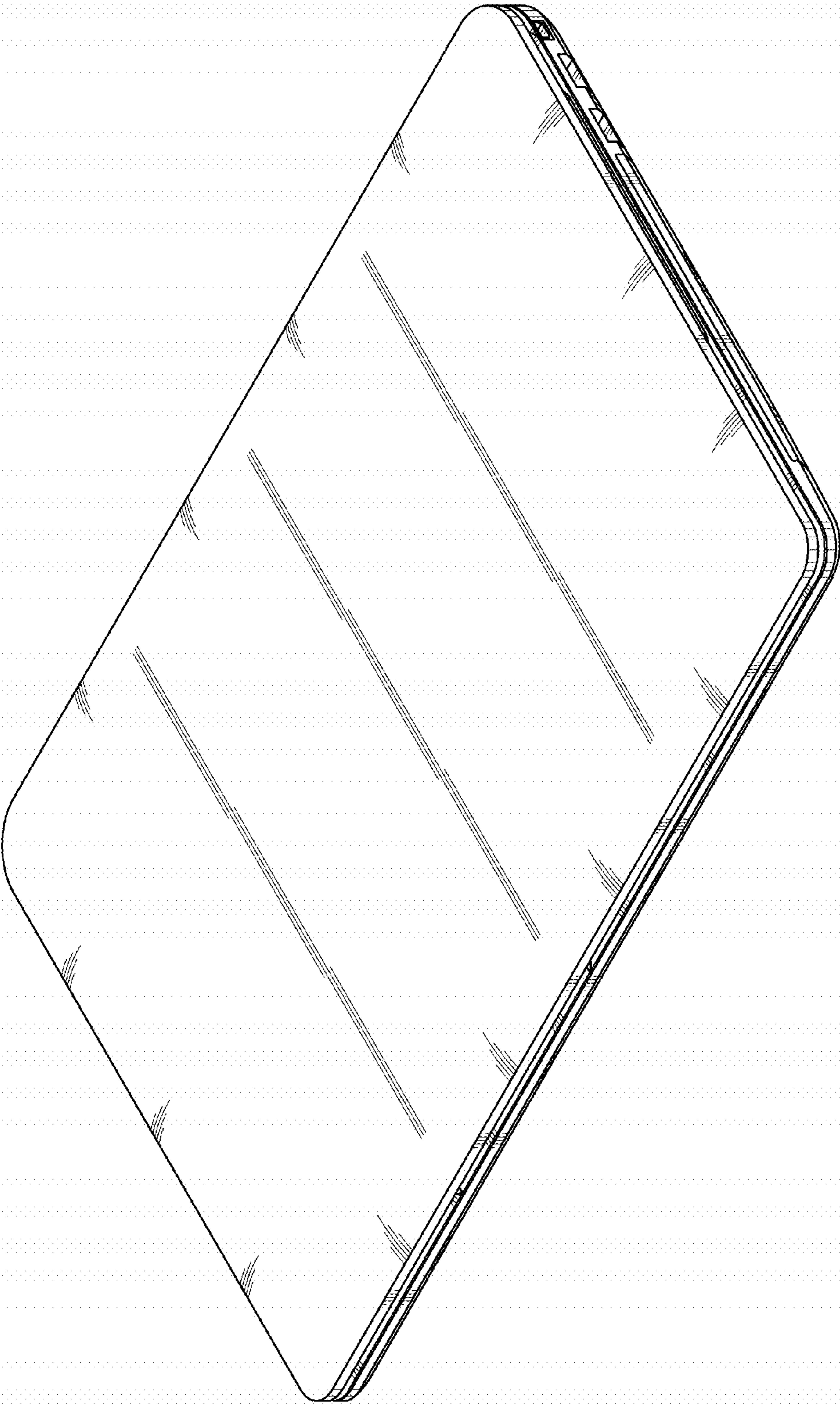


FIG.1

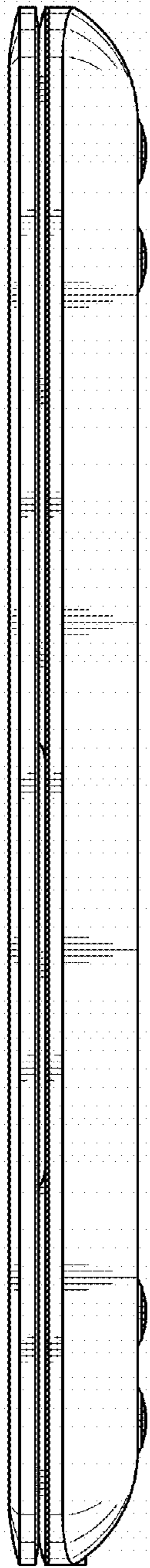


FIG. 2

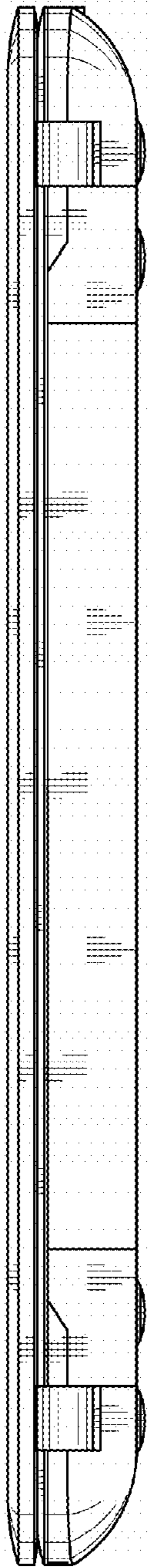


FIG. 3

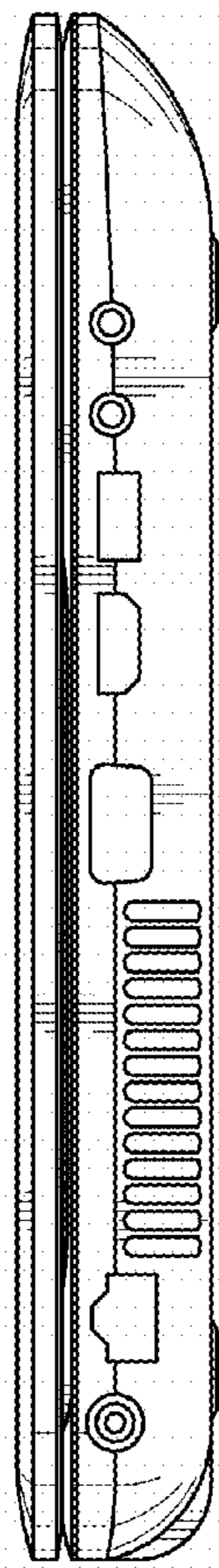


FIG. 4

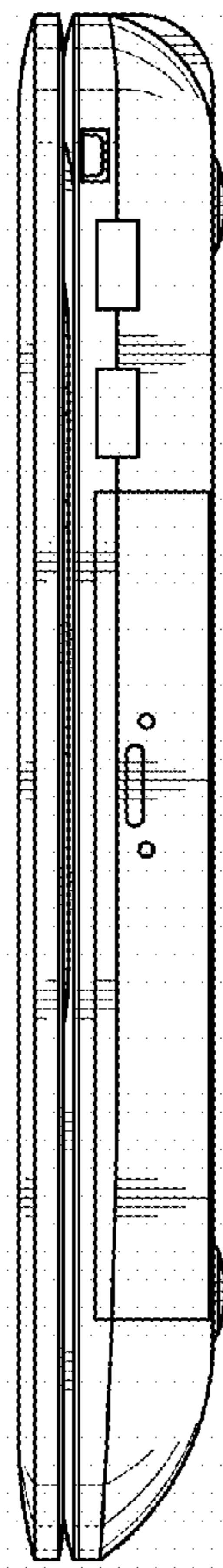


FIG. 5

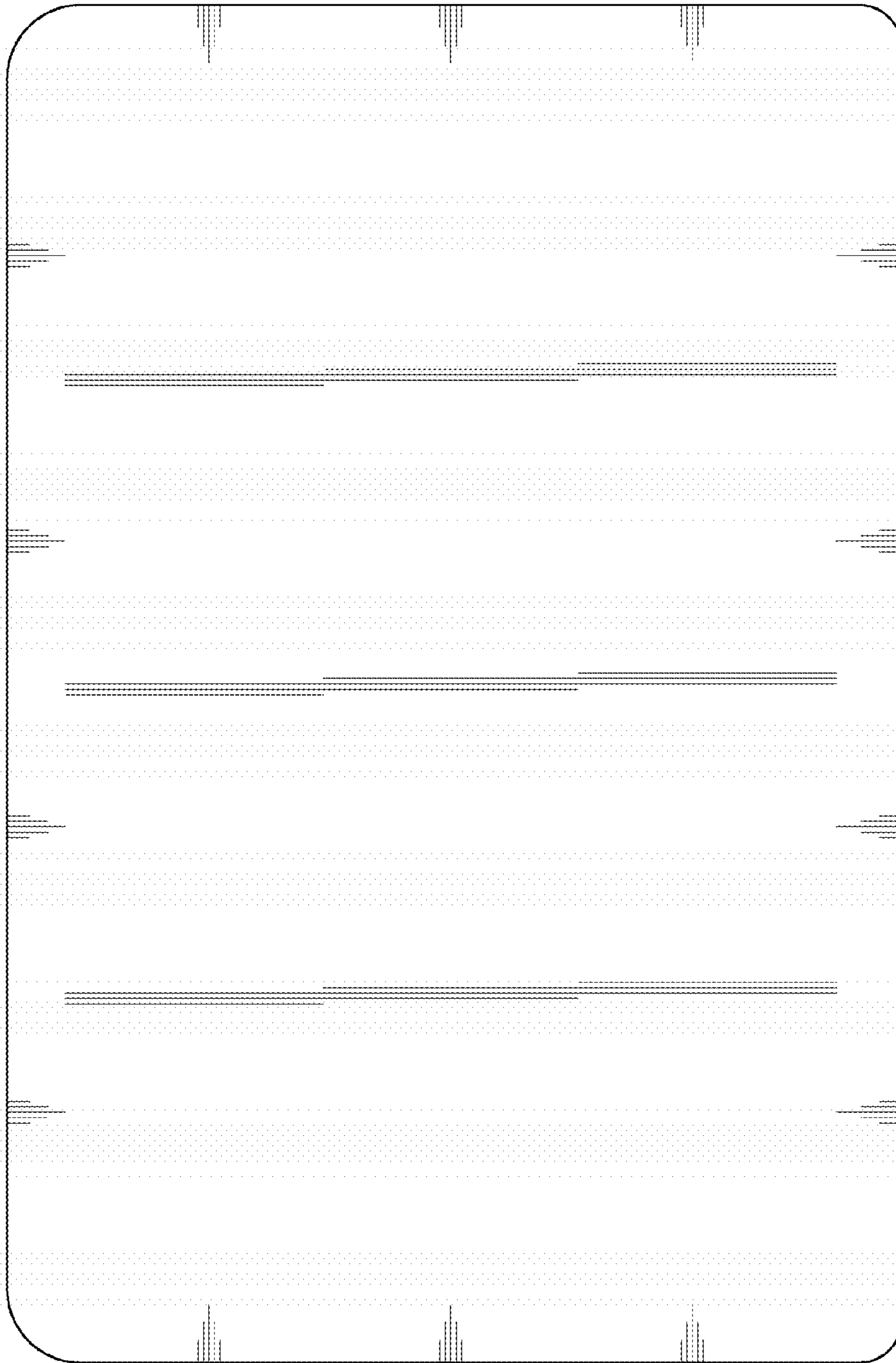


FIG. 6

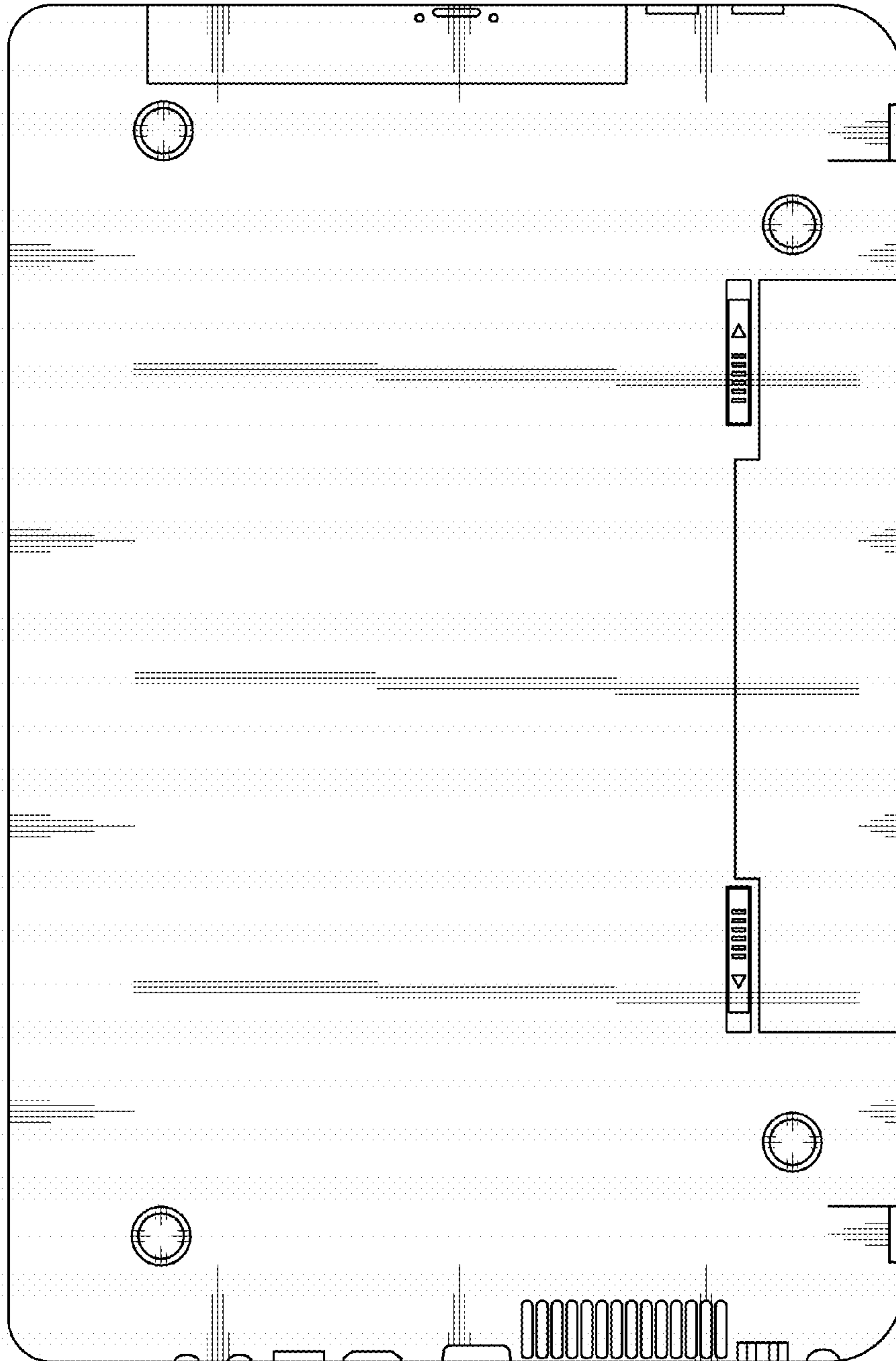


FIG.7