

US00D687428S

(12) **United States Design Patent**  
**Kim et al.**

(10) **Patent No.:** **US D687,428 S**

(45) **Date of Patent:** **\*\* Aug. 6, 2013**

(54) **MOBILE PHONE CASE**

(76) Inventors: **Je Hyung Kim**, Seoul (KR); **Ji Wook Lee**, Goyang-si (KR)

(\*\*) Term: **14 Years**

(21) Appl. No.: **29/414,765**

(22) Filed: **Mar. 2, 2012**

(30) **Foreign Application Priority Data**

Sep. 2, 2011 (KR) ..... 30-2011-0037010

(51) **LOC (9) Cl.** ..... **14-03**

(52) **U.S. Cl.**  
USPC ..... **D14/253**

(58) **Field of Classification Search**  
USPC ..... D14/140, 217, 224, 224.1, 229, 240,  
D14/243, 250–253, 299, 344, 434, 447,  
D14/451–452, 483, 496; D13/108; 361/679.41;  
439/534; 320/115, 116, 107; D8/355, 363;  
D12/415, 418; 379/449, 455, 165; 248/122.1,  
248/127, 157, 205.8, 206.2, 279.1, 205.5,  
248/309.1, 309.3, 352; D3/201, 218, 269,  
D3/273, 301; D11/79; 63/26

See application file for complete search history.

(56) **References Cited**

U.S. PATENT DOCUMENTS

D518,951 S \* 4/2006 Harris ..... D3/218

D533,342 S \* 12/2006 Addis ..... D3/218  
D542,028 S \* 5/2007 Yang et al. .... D3/218  
D550,953 S \* 9/2007 Yang et al. .... D3/218  
D581,656 S \* 12/2008 Valencia et al. .... D3/218  
D609,461 S \* 2/2010 Boyd ..... D3/218  
7,967,270 B2 \* 6/2011 Harrison et al. .... 248/309.1  
D669,462 S \* 10/2012 Avrahami et al. .... D14/253

\* cited by examiner

*Primary Examiner* — Raphael Barkai

*Assistant Examiner* — Randall Gholson

(74) *Attorney, Agent, or Firm* — Alleman Hall McCoy Russell & Tuttle LLP

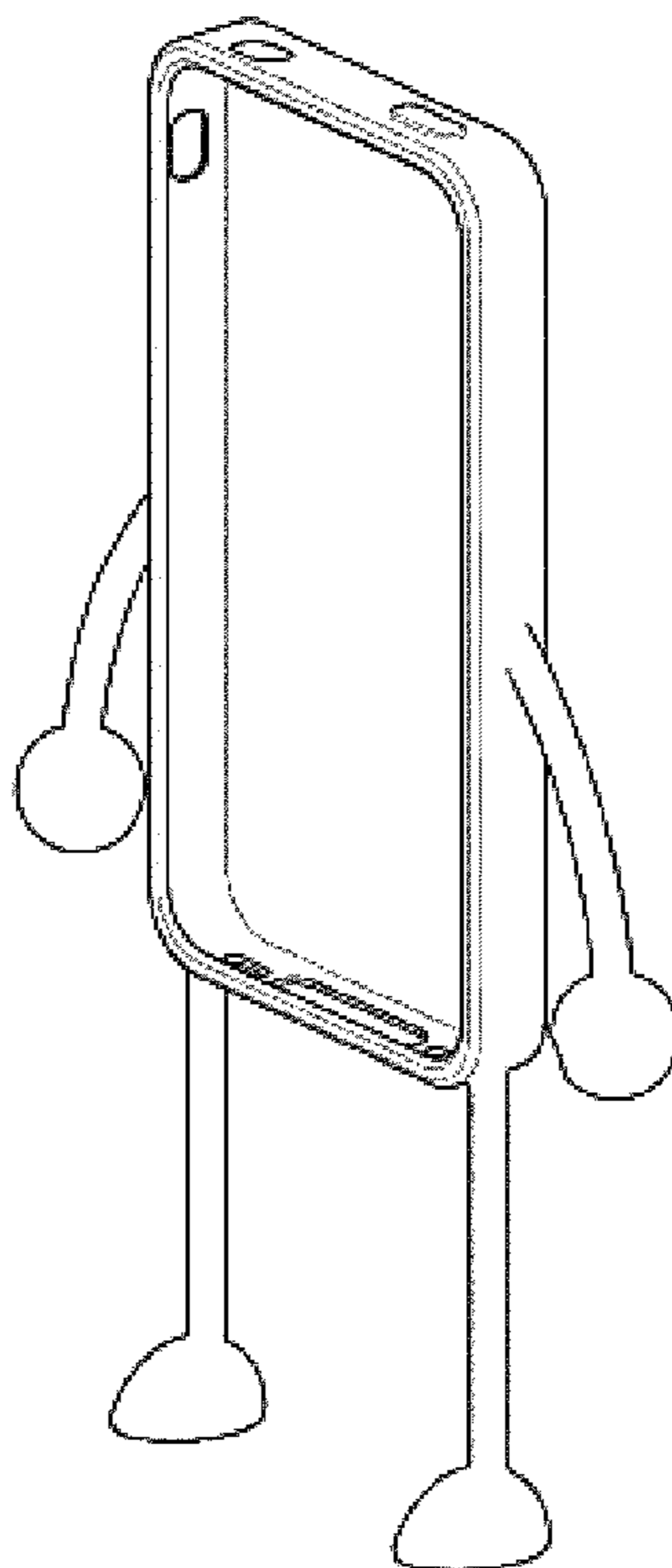
(57) **CLAIM**

The ornamental design for a mobile phone case, as shown and described.

**DESCRIPTION**

FIG. 1 is a front perspective view of a design for a mobile phone case according to the present invention.  
FIG. 2 is a front view of the mobile phone case of FIG. 1.  
FIG. 3 is a rear view of the mobile phone case of FIG. 1.  
FIG. 4 is a left side view of the mobile phone case of FIG. 1.  
FIG. 5 is a right side view of the mobile phone case of FIG. 1.  
FIG. 6 is a top view of the mobile phone case of FIG. 1; and,  
FIG. 7 is a bottom view of the mobile phone case of FIG. 1.

**1 Claim, 7 Drawing Sheets**



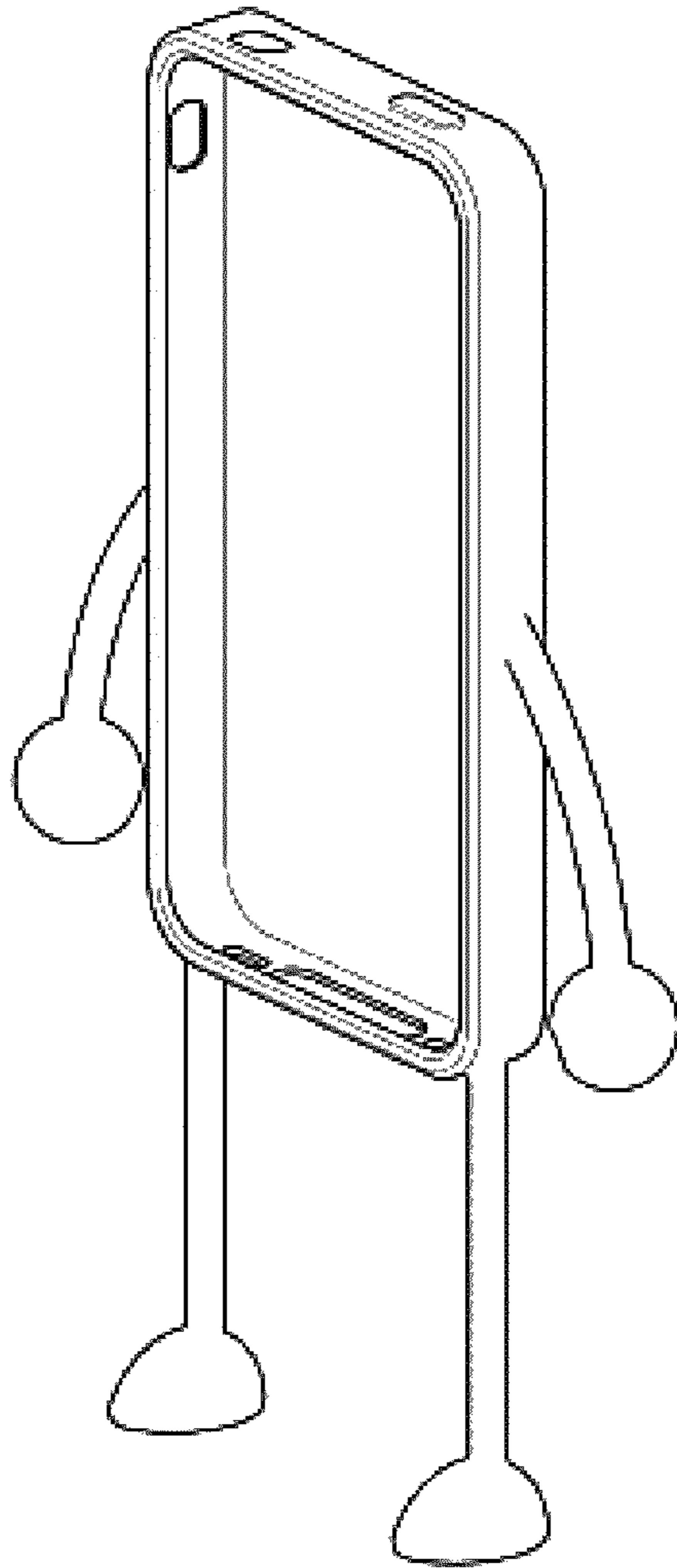


FIG. 1

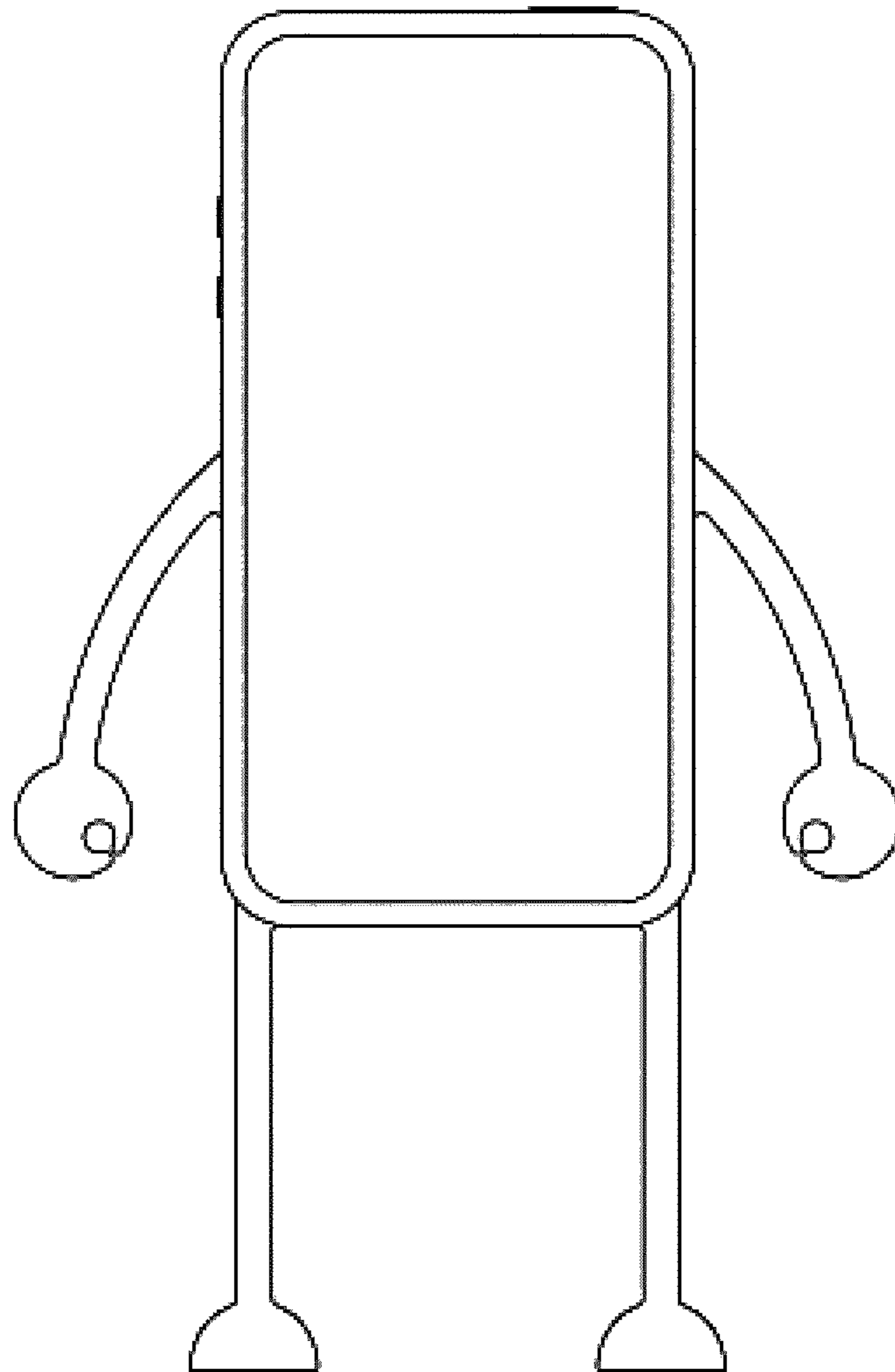


FIG. 2

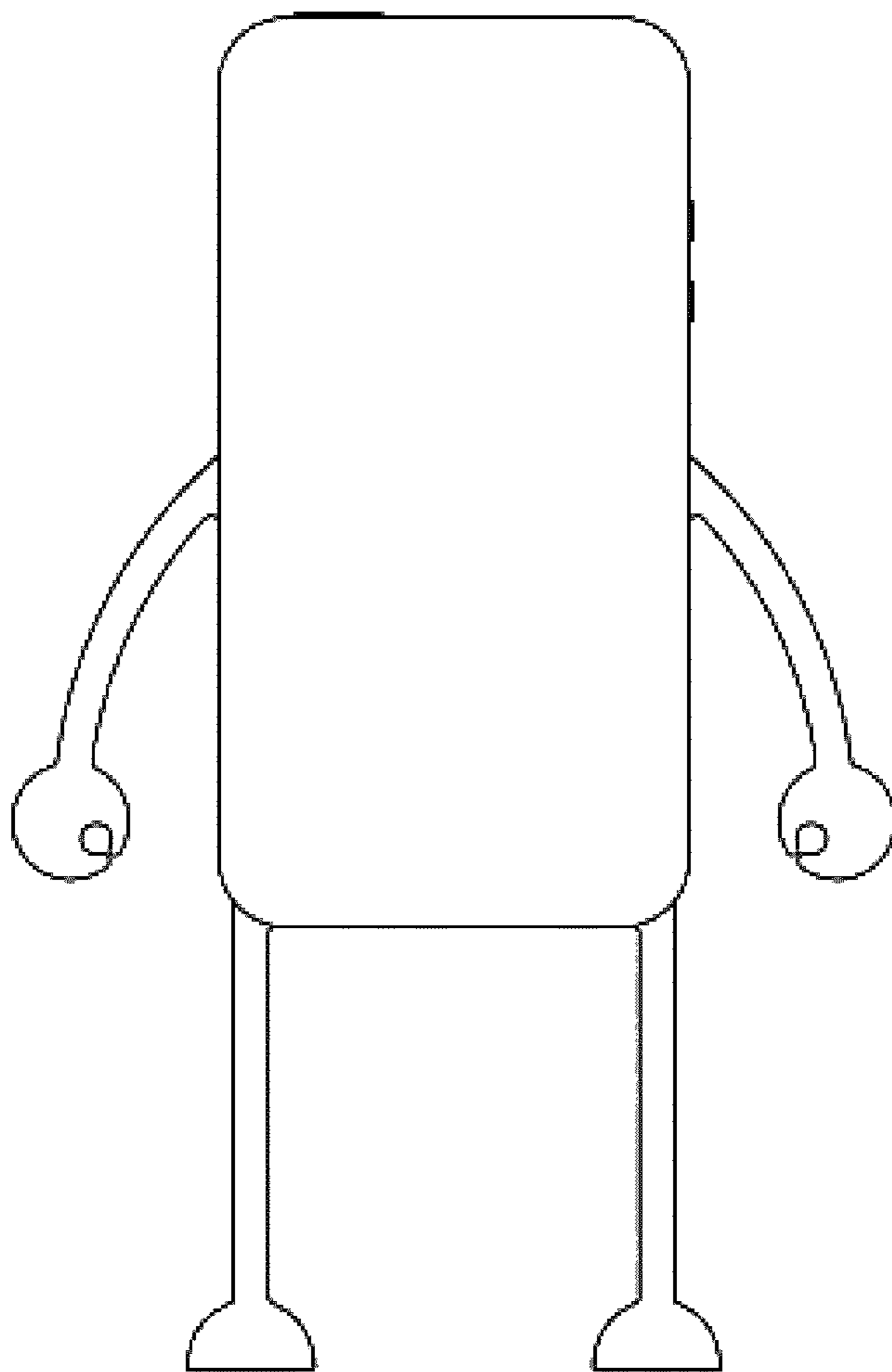


FIG. 3

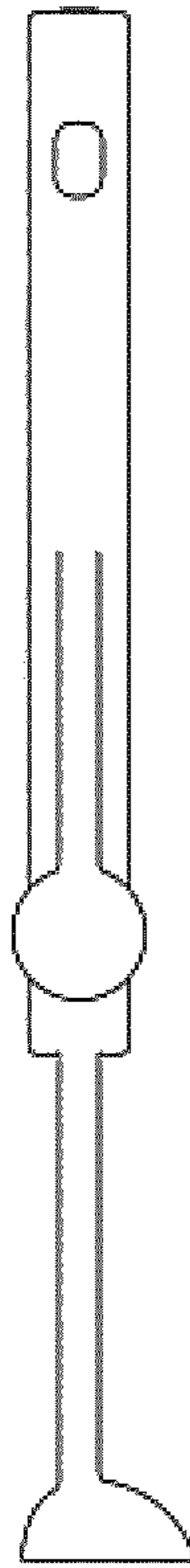


FIG. 4

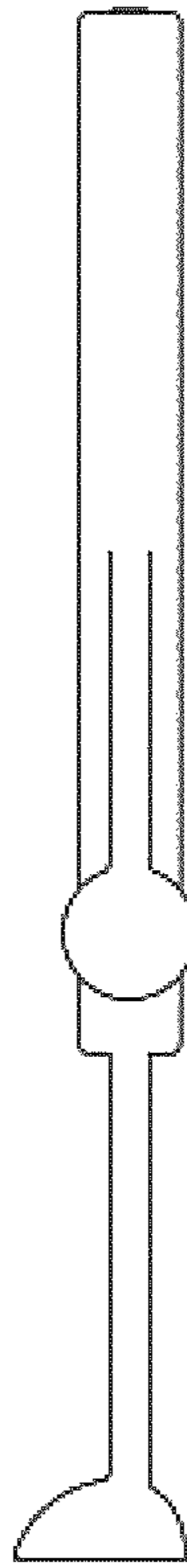


FIG. 5

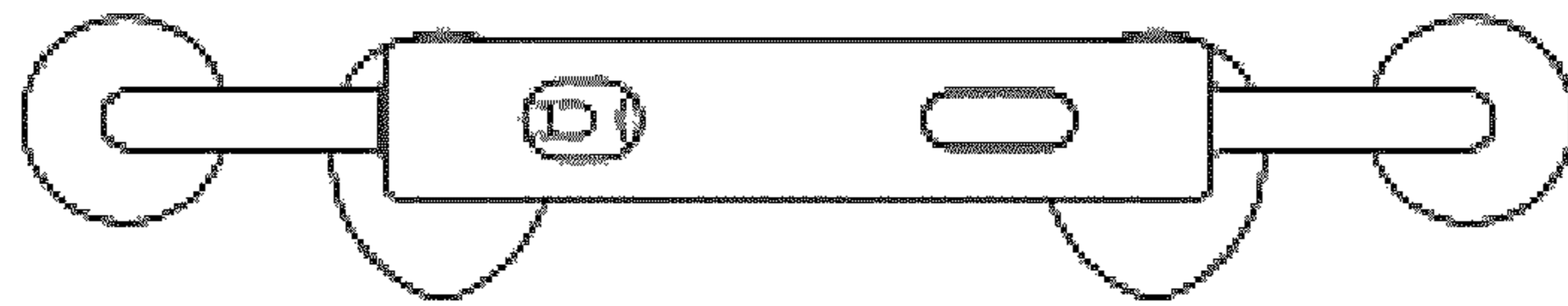


FIG. 6

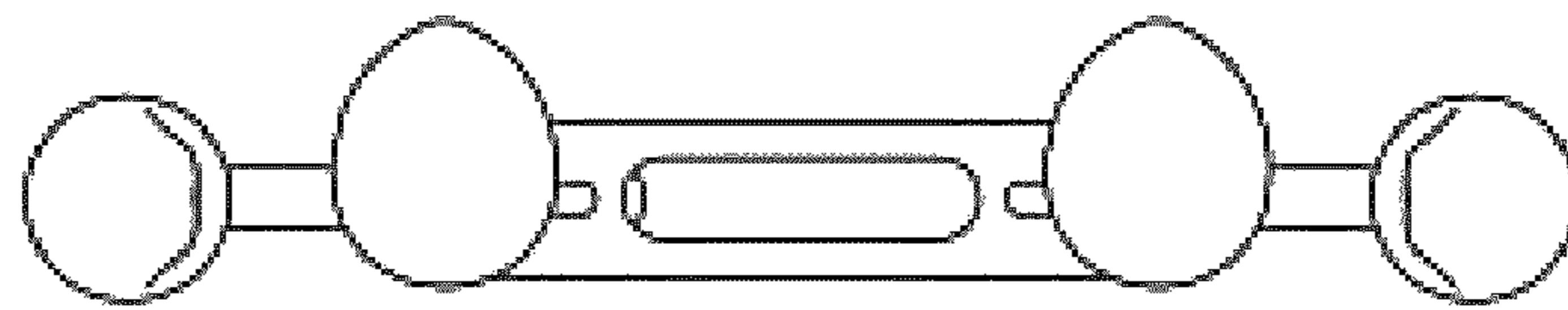


FIG. 7