



US00D687427S

(12) **United States Design Patent**  
**Peterson**

(10) **Patent No.:** **US D687,427 S**  
(45) **Date of Patent:** **\*\* Aug. 6, 2013**

- (54) **PORTABLE ELECTRONIC DEVICE CASE**
- (71) Applicant: **Loop Attachment Co.,** Chicago, IL (US)
- (72) Inventor: **Christopher Donald Peterson,**  
Arlington Heights, IL (US)
- (73) Assignee: **Loop Attachment Co.,** Chicago, IL (US)
- (\*\*) Term: **14 Years**

- (21) Appl. No.: **29/439,661**
- (22) Filed: **Dec. 13, 2012**
- (51) **LOC (9) Cl.** ..... **14-03**
- (52) **U.S. Cl.**  
USPC ..... **D14/250**
- (58) **Field of Classification Search**  
USPC ..... D14/250, 440, 238.1, 251-253,  
D14/203.3-203.7, 217, 496, 248, 240, 447,  
D14/341-347, 444; D13/103, 107-108, 119;  
D3/201, 218, 247, 269, 273, 301, 303;  
248/309.1, 371, 176.3, 668; 361/679.56,  
361/679.3, 679.25, 816; 379/426, 433.11,  
379/455; 455/575.1, 575.8; 206/305, 320;  
320/108, 115; 429/96; 220/4.02  
See application file for complete search history.

- (56) **References Cited**  
**U.S. PATENT DOCUMENTS**  
D374,988 S \* 10/1996 Hillinger ..... D3/294  
D422,787 S \* 4/2000 Feng ..... D3/273  
6,568,650 B2 \* 5/2003 Helmetsie et al. .... 248/678  
6,616,111 B1 \* 9/2003 White ..... 248/309.1  
D574,819 S 8/2008 Andre et al.  
D576,598 S \* 9/2008 Lim et al. .... D14/138 AA  
D593,635 S \* 6/2009 Fitzpatrick et al. .... D22/108  
D603,389 S 11/2009 Khan et al.  
D603,603 S 11/2009 Laine et al.  
D609,001 S \* 2/2010 Gates et al. .... D3/218  
D609,228 S 2/2010 Ferrari et al.

- D615,536 S 5/2010 Richardson et al.
- D621,821 S 8/2010 Richardson et al.
- D622,716 S 8/2010 Andre et al.
- 7,782,610 B2 8/2010 Diebel et al.
- D632,682 S \* 2/2011 Fahrendorff et al. .... D14/250
- D637,588 S 5/2011 Richardson et al.
- D638,007 S 5/2011 Chang
- D647,519 S 10/2011 Rothbaum et al.
- D654,487 S 2/2012 Weller et al.
- D654,915 S \* 2/2012 Weller et al. .... D14/250

(Continued)

**OTHER PUBLICATIONS**

Review of iLuv Case for iPhone 5, published on Sep 23, 2012,  
<URL:http://www.trendhunter.com/trends/iphone-5-case>,  
retrieved from internet on May 5, 2013.\*

(Continued)

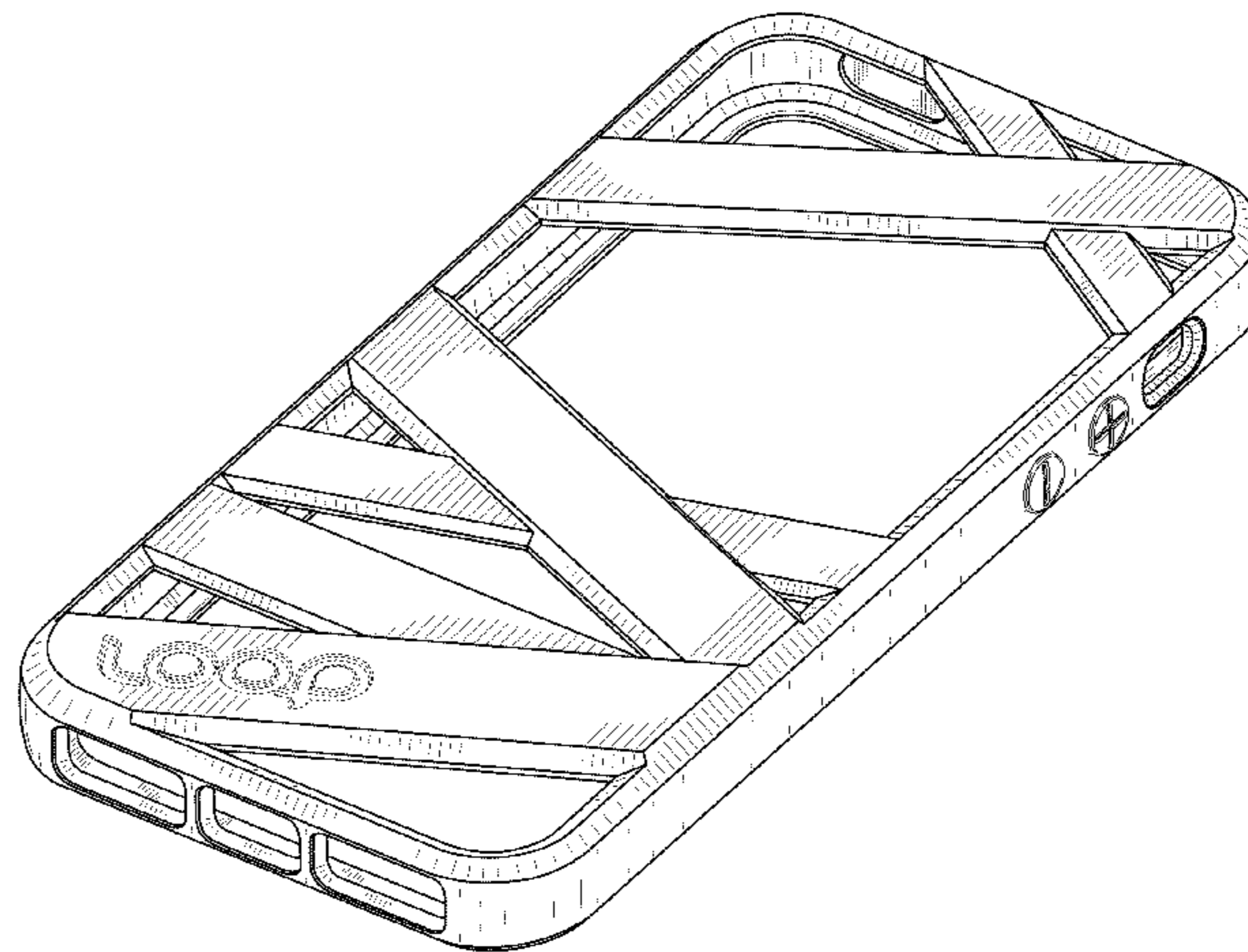
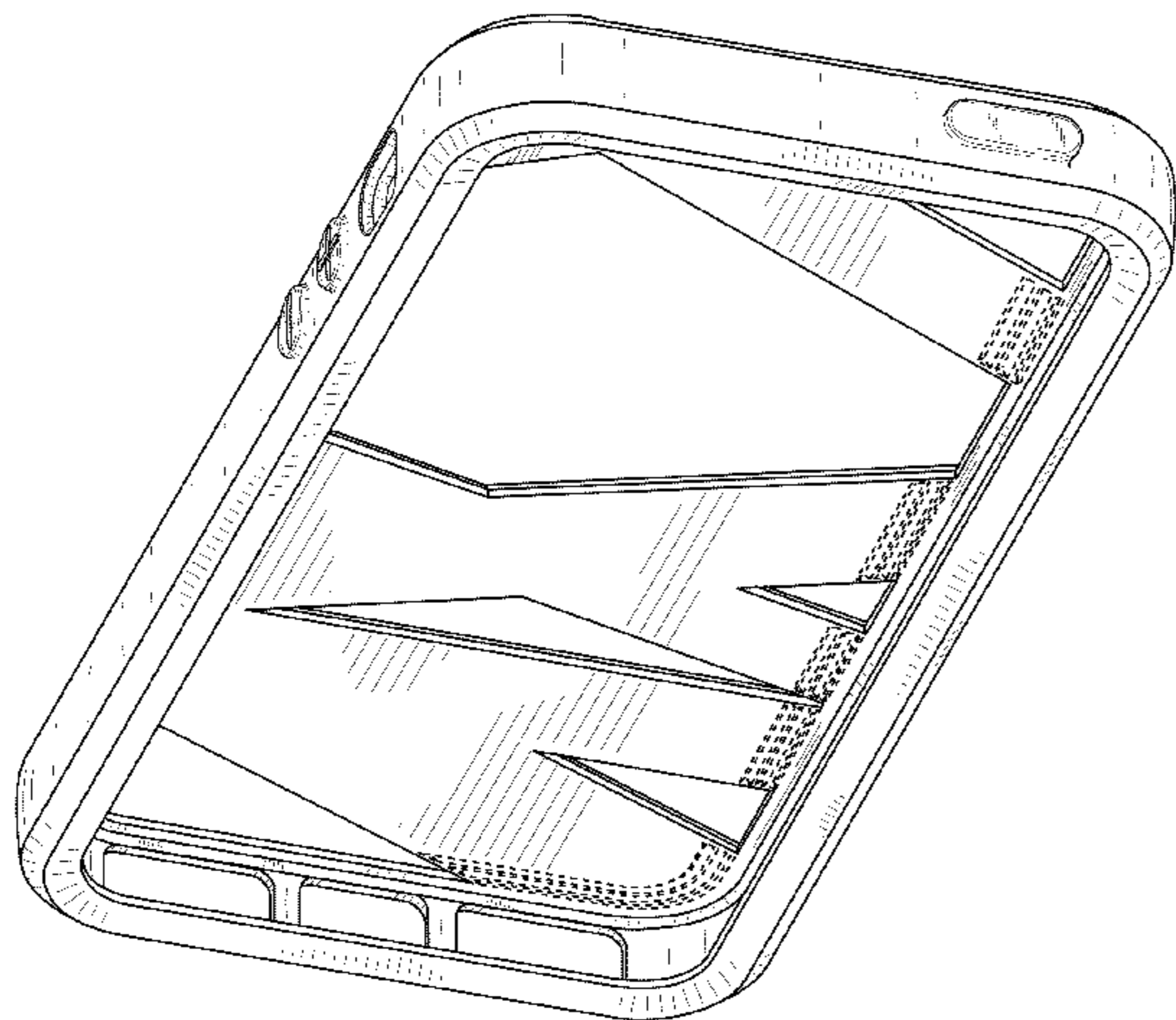
*Primary Examiner* — Carla Jobe Wright  
(74) *Attorney, Agent, or Firm* — Perry Hoffman

(57) **CLAIM**  
The ornamental design for a portable electronic device case,  
as shown and described.

**DESCRIPTION**

FIG. 1 is a top, front perspective view of the portable elec-  
tronic device case of the instant invention;  
FIG. 2 is a bottom, rear perspective view thereof;  
FIG. 3 is a front view thereof;  
FIG. 4 is a rear view thereof;  
FIG. 5 is a right side elevational view thereof;  
FIG. 6 is a left side elevational view thereof;  
FIG. 7 is a top view thereof; and,  
FIG. 8 is a bottom view thereof.  
The broken lines shown are included for the purpose of illus-  
trating the unclaimed portions of the article that form no part  
of the claimed design.

**1 Claim, 6 Drawing Sheets**



# US D687,427 S

Page 2

## U.S. PATENT DOCUMENTS

D659,384 S \* 5/2012 January ..... D3/218  
D667,394 S \* 9/2012 Bau ..... D14/250  
D668,660 S \* 10/2012 Norfolk ..... D14/440  
D669,269 S \* 10/2012 Fair ..... D3/301  
D669,458 S \* 10/2012 Wilson et al. .... D14/250  
D671,930 S \* 12/2012 Akana et al. .... D14/250  
D671,932 S \* 12/2012 Azoulay ..... D14/250  
D671,933 S \* 12/2012 Rodgers ..... D14/250  
D673,554 S \* 1/2013 Simmer ..... D14/250  
D678,262 S \* 3/2013 Prato ..... D14/250  
D678,293 S \* 3/2013 Meehan ..... D14/440  
D681,025 S \* 4/2013 Chang et al. .... D14/250  
D681,617 S \* 5/2013 Weller et al. .... D14/250  
2010/0104814 A1 4/2010 Richardson et al.

2010/0240427 A1\* 9/2010 Lee ..... 455/575.8  
2010/0251590 A1\* 10/2010 Fitzpatrick et al. .... 42/50

## OTHER PUBLICATIONS

Review of Incase Bird's Nest Snap Case for iPhone 4, published on Aug. 4, 2011, <URL:<http://www.ilounge.com/index.php/reviews/entry/incase-birds-nest-snap-case-for-iphone-4/>>, retrieved from internet on May 20, 2013.\*

Loop Mummy iPhone 5 case Review, published on Dec 25, 2012, <URL:<http://www.slashgear.com/loop-mummy-iphone-5-case-review-25261741/>>, retrieved from internet on May 20, 2013.\*

\* cited by examiner

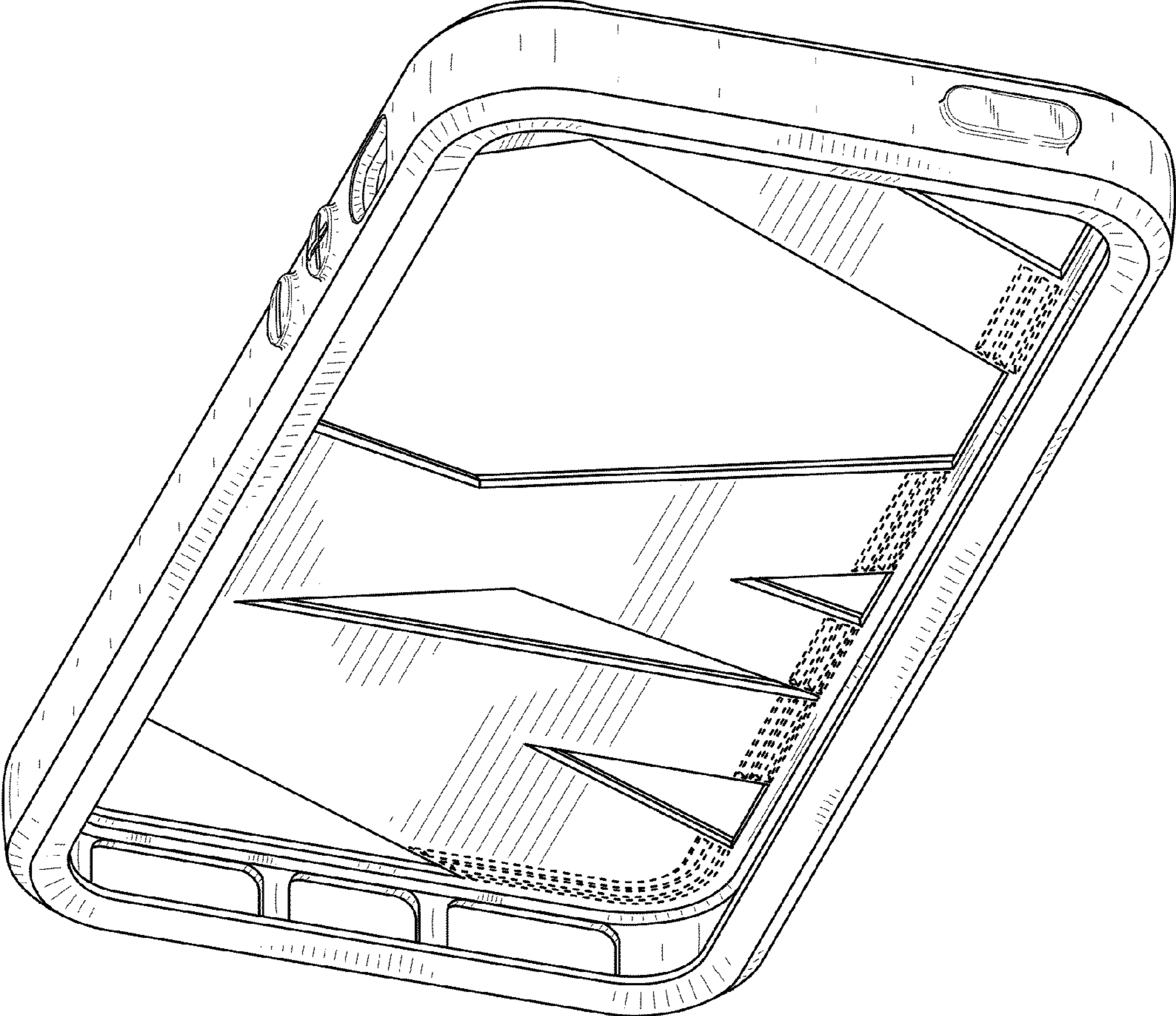


FIG. 1

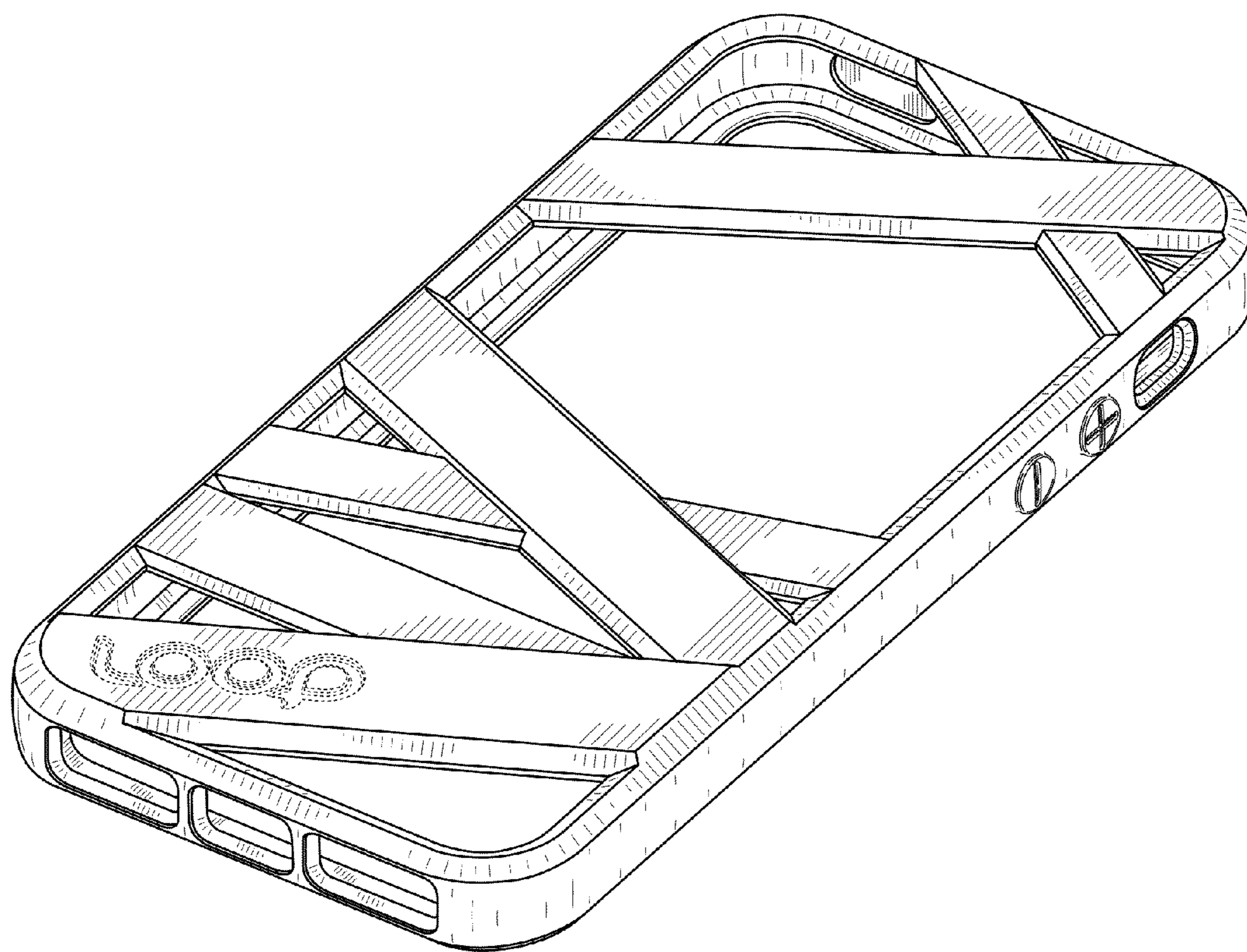


FIG. 2

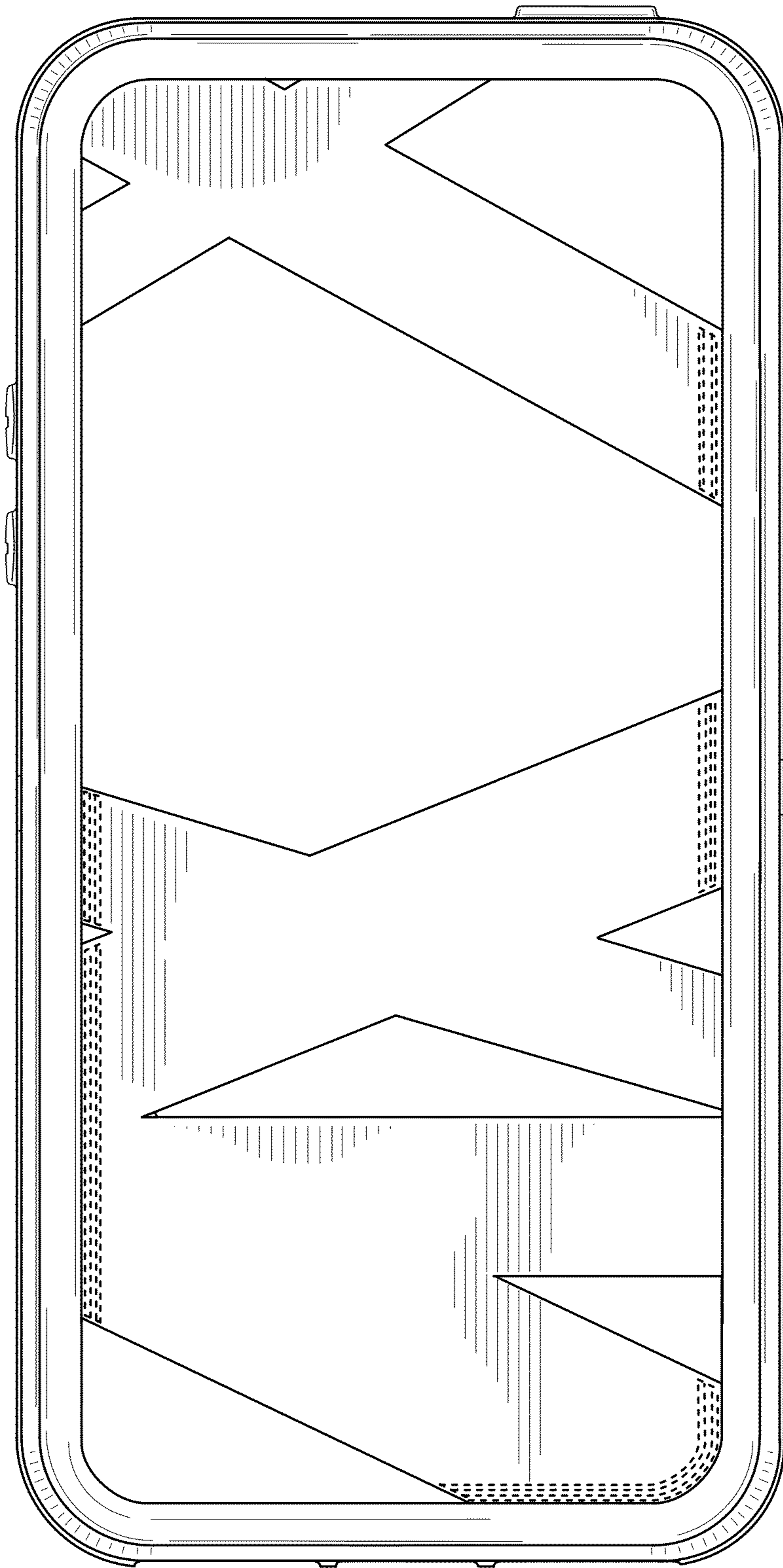


FIG. 3

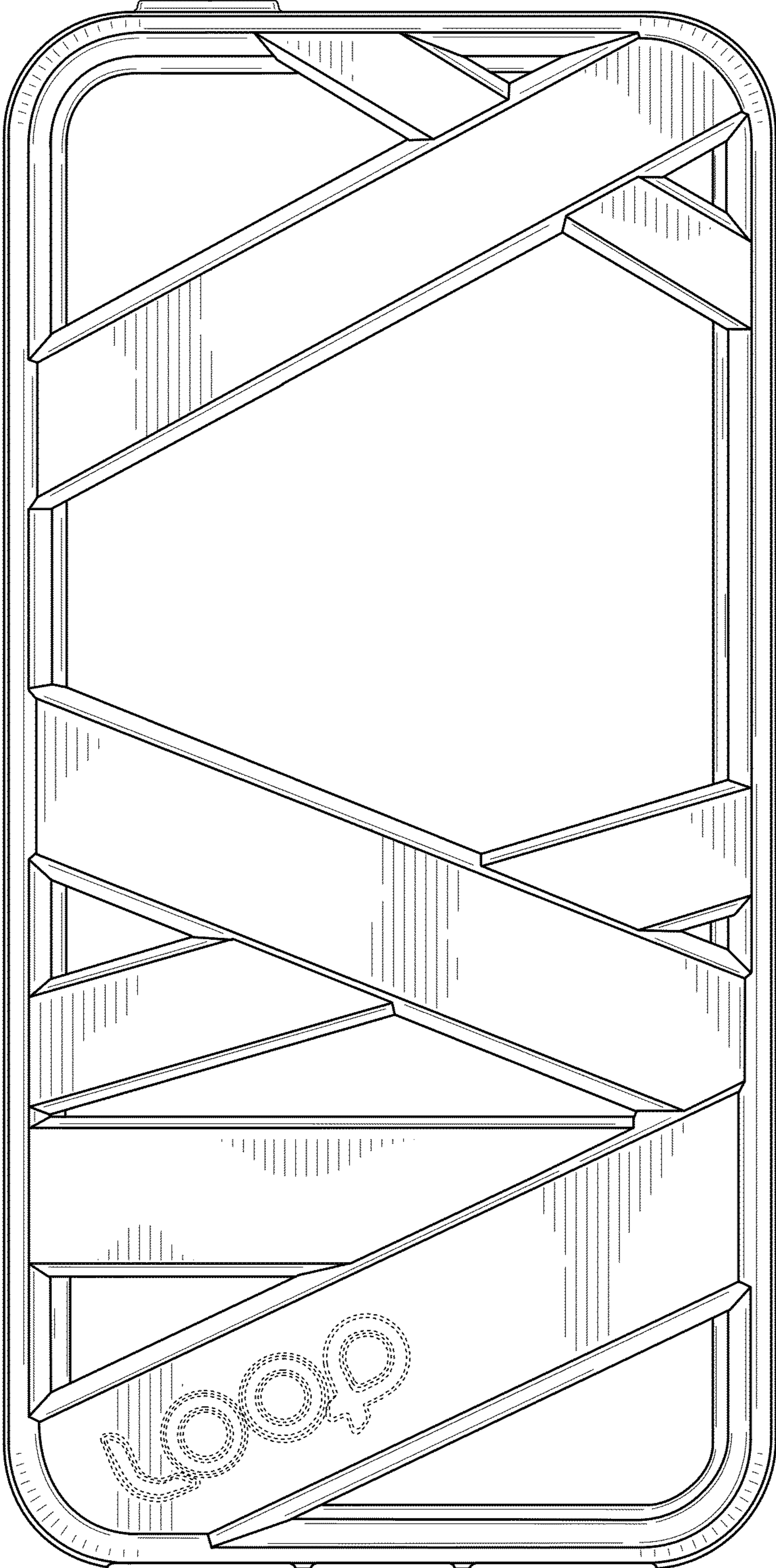


FIG. 4

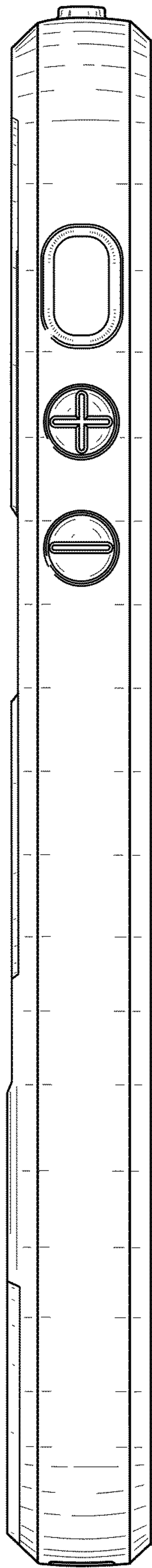


FIG. 5

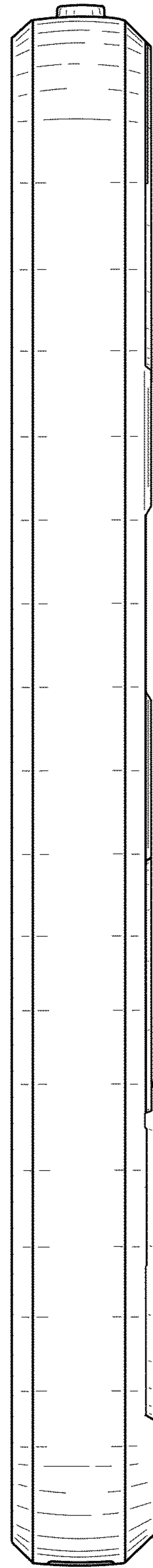


FIG. 6

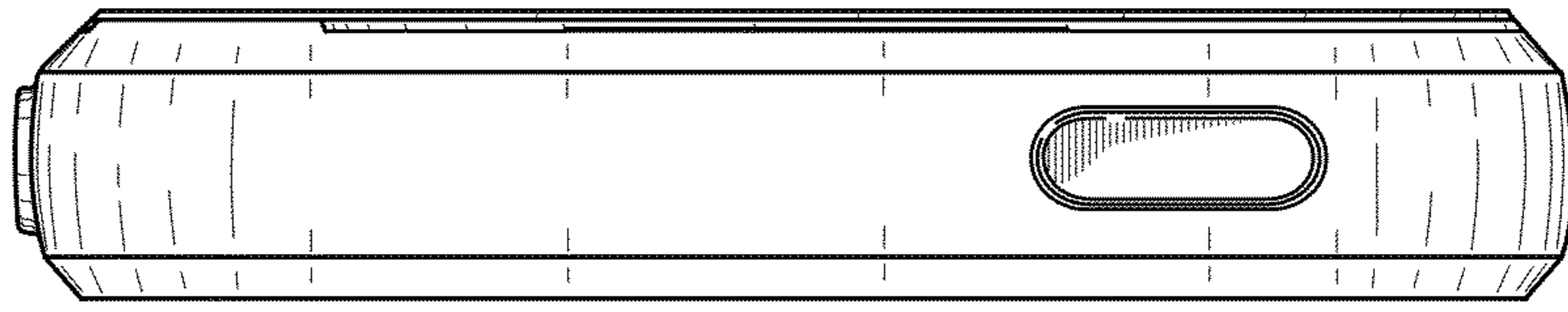


FIG. 7

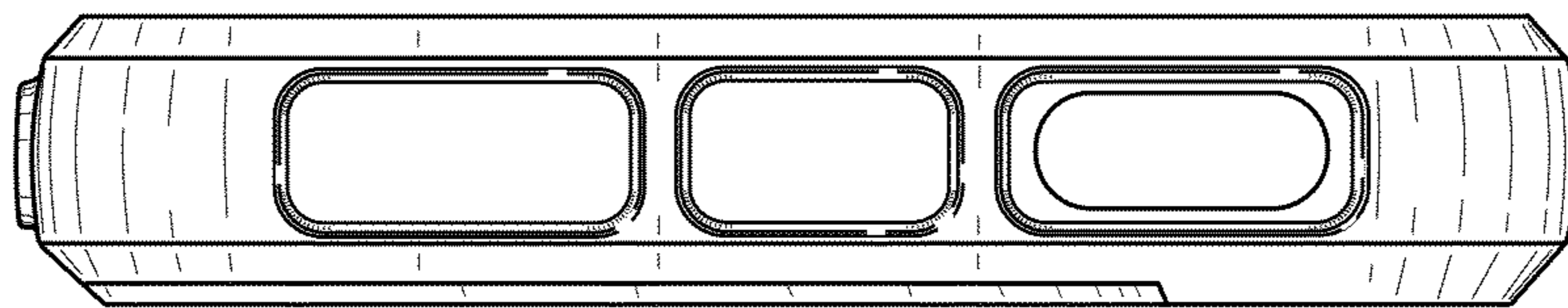


FIG. 8