



US00D687424S

(12) **United States Design Patent**
Petersen et al.

(10) **Patent No.:** **US D687,424 S**

(45) **Date of Patent:** **** Aug. 6, 2013**

(54) **ELECTRONIC DEVICE**

(75) Inventors: **Lars Petersen**, Kokkedal (DK); **Eskild Hansen**, Copenhagen OE (DK); **Nicola Girotti**, Copenhagen (DK); **Jonathon Timothy Lister**, East Yorkshire (GB)

(73) Assignee: **Belkin International, Inc.**, Playa Vista, CA (US)

(**) Term: **14 Years**

(21) Appl. No.: **29/386,251**

(22) Filed: **Feb. 25, 2011**

(51) **LOC (9) Cl.** **14-03**

(52) **U.S. Cl.**
USPC **D14/240**

(58) **Field of Classification Search**
USPC D14/300–302, 313, 314, 341, 348–370,
D14/383, 385, 432, 435, 436, 496, 125, 135,
D14/137, 155, 240–242, 299; D3/201, 273;
361/679.31, 679.33, 679.4, 752; 711/100,
711/115

See application file for complete search history.

(56) **References Cited**

U.S. PATENT DOCUMENTS

D367,257 S * 2/1996 Buelow et al. D13/110
D375,950 S * 11/1996 Jones et al. D14/137

D436,919 S * 1/2001 Wakefield et al. D13/110
D565,036 S * 3/2008 Ju et al. D14/240
D565,558 S * 4/2008 Liu D14/240
D575,775 S * 8/2008 Sekine D14/242
D596,562 S * 7/2009 Hong et al. D13/110
D659,659 S * 5/2012 Huang D14/125

* cited by examiner

Primary Examiner — Ian Simmons

Assistant Examiner — Charles Hanson

(74) *Attorney, Agent, or Firm* — Haynes and Boone, LLP

(57) **CLAIM**

The ornamental design for an electronic device, as shown and described.

DESCRIPTION

FIG. 1 is a perspective front view showing our new electronic device design;

FIG. 2 is a back view thereof;

FIG. 3 is a side view thereof;

FIG. 4 is another side view thereof;

FIG. 5 is a front view thereof;

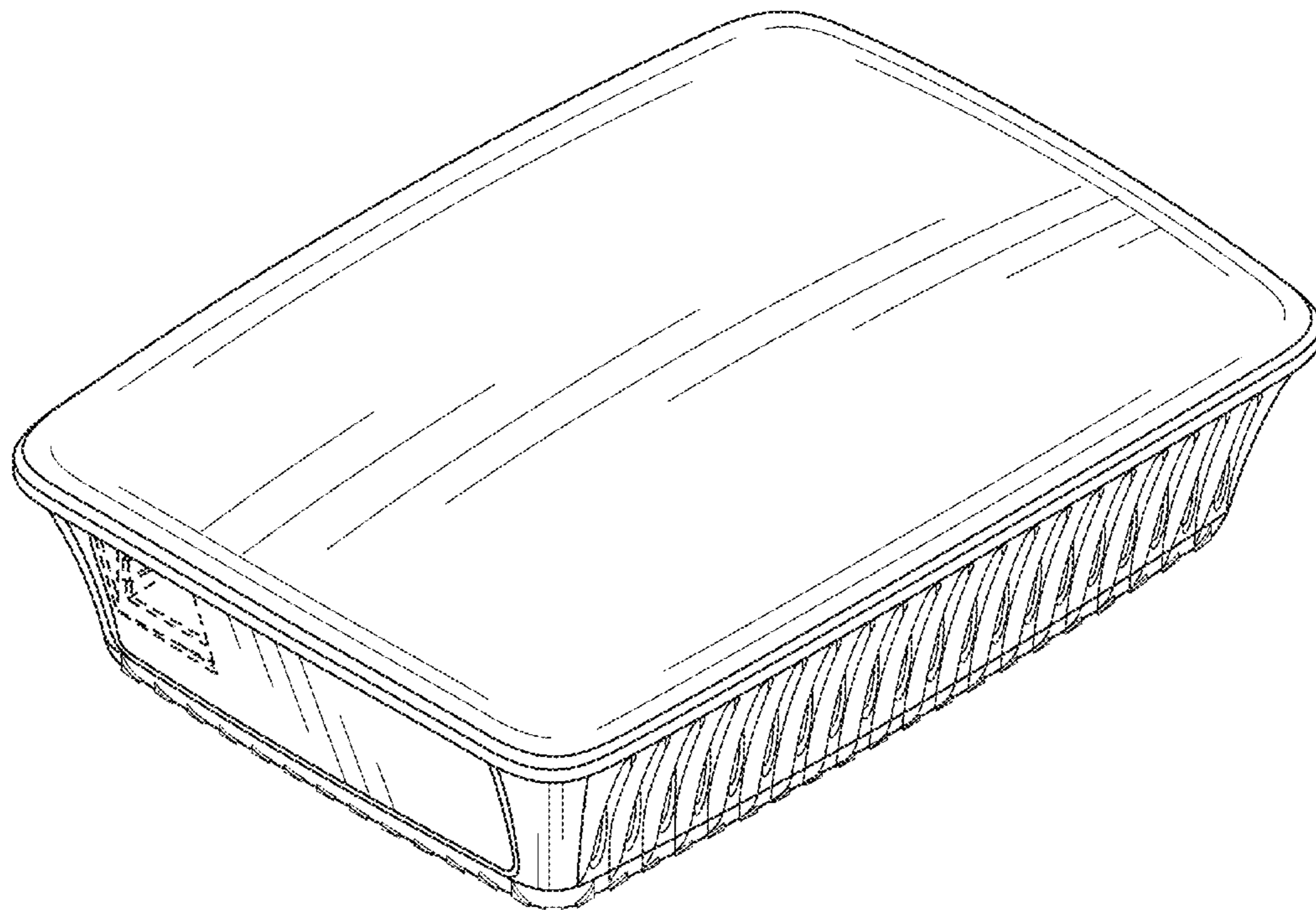
FIG. 6 is a bottom view thereof;

FIG. 7 is a top view thereof; and,

FIG. 8 is a perspective back view thereof.

In the drawings, the broken lines depict environmental subject matter only and form no part of the claimed design.

1 Claim, 6 Drawing Sheets



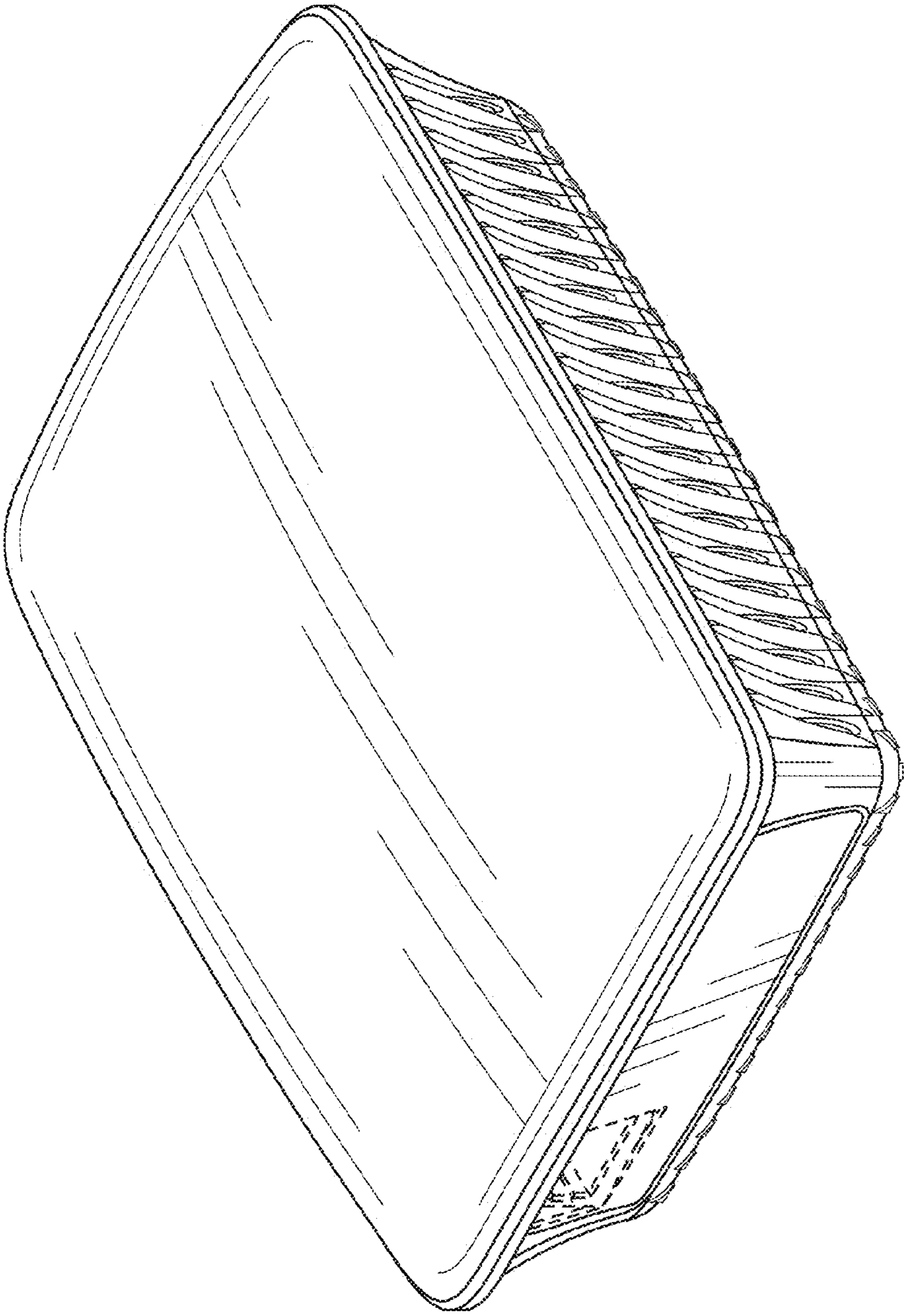


FIG. 1

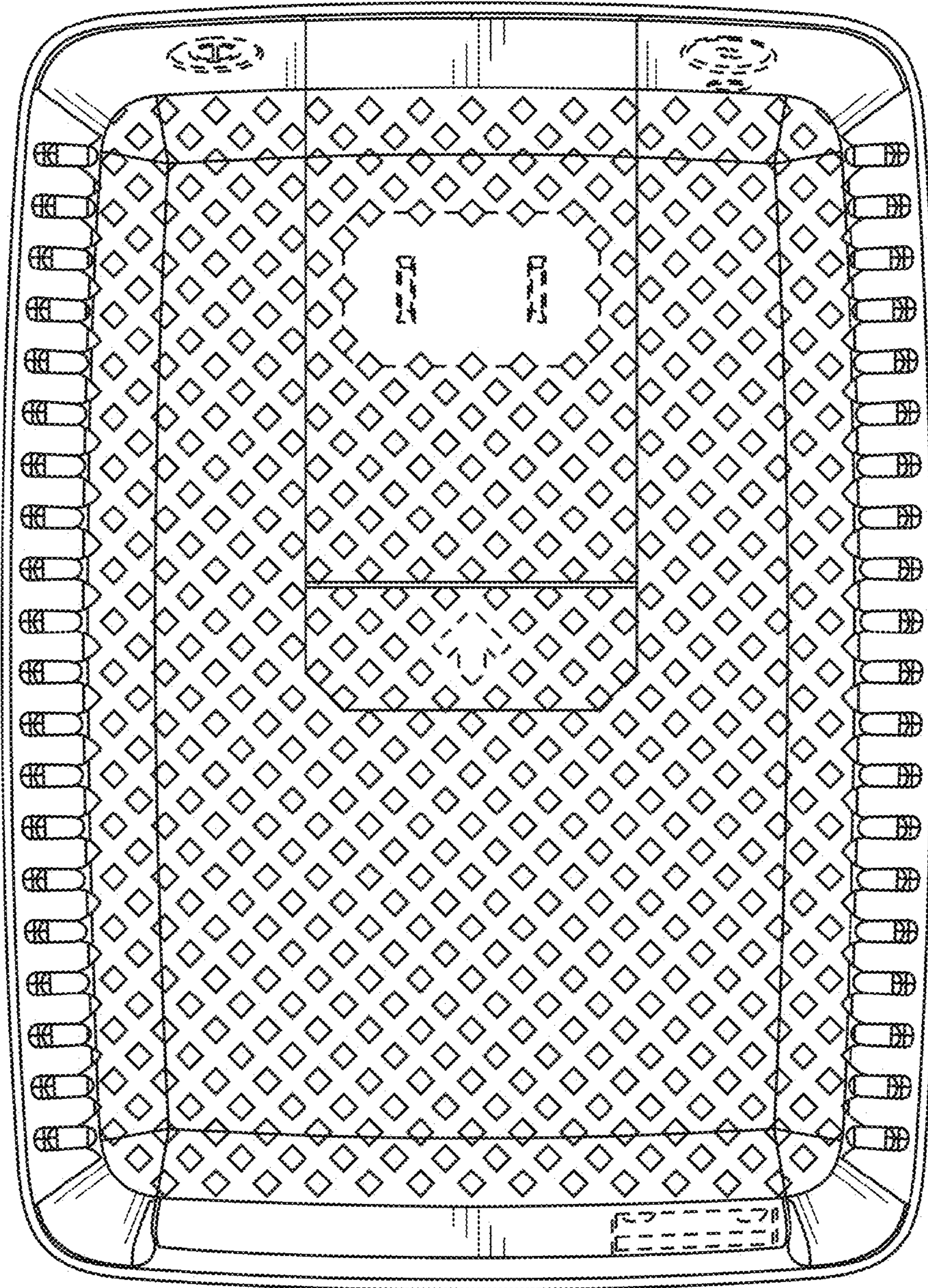


FIG. 2

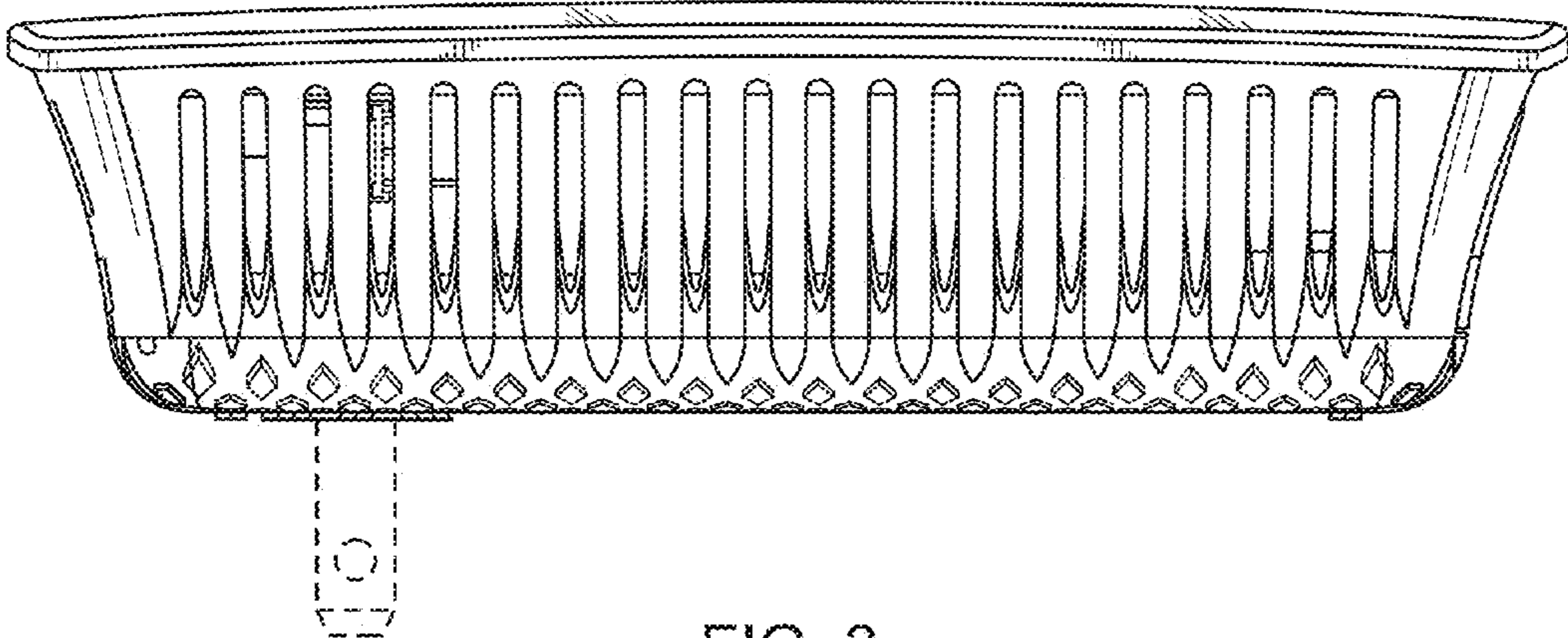


FIG. 3

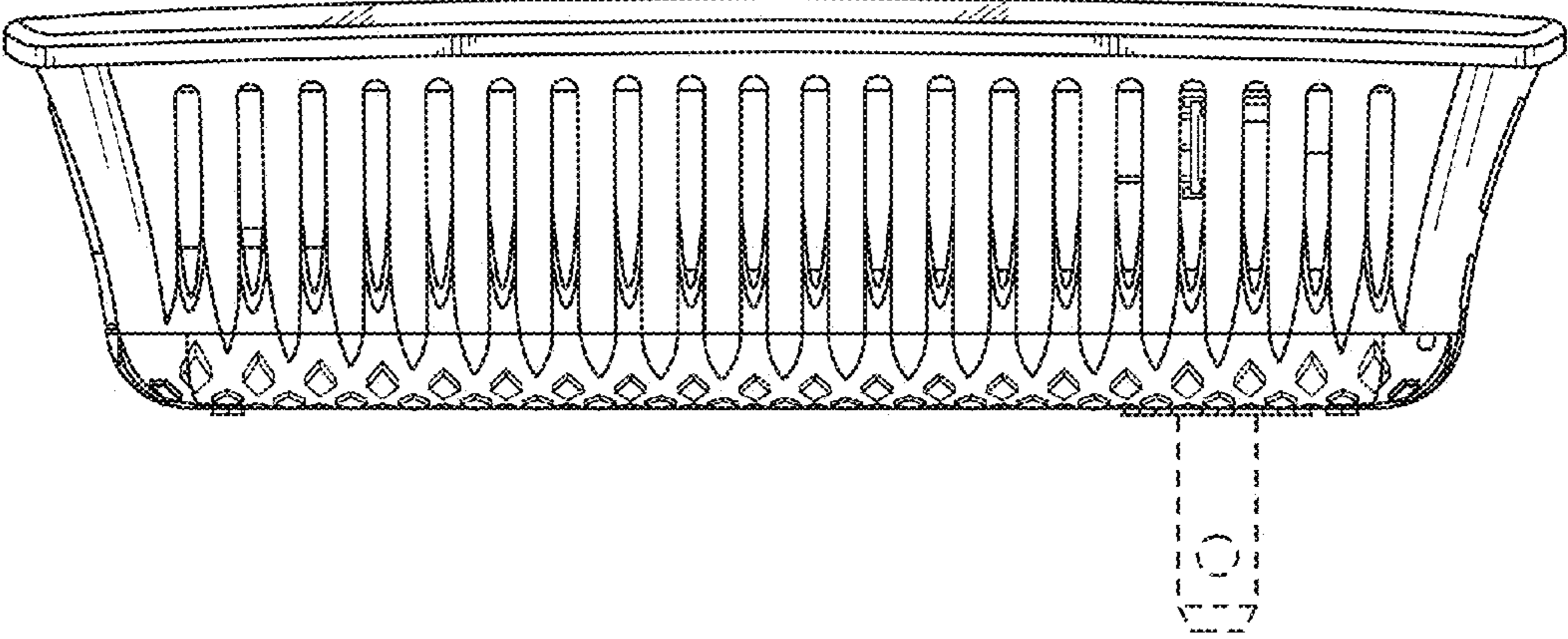


FIG. 4

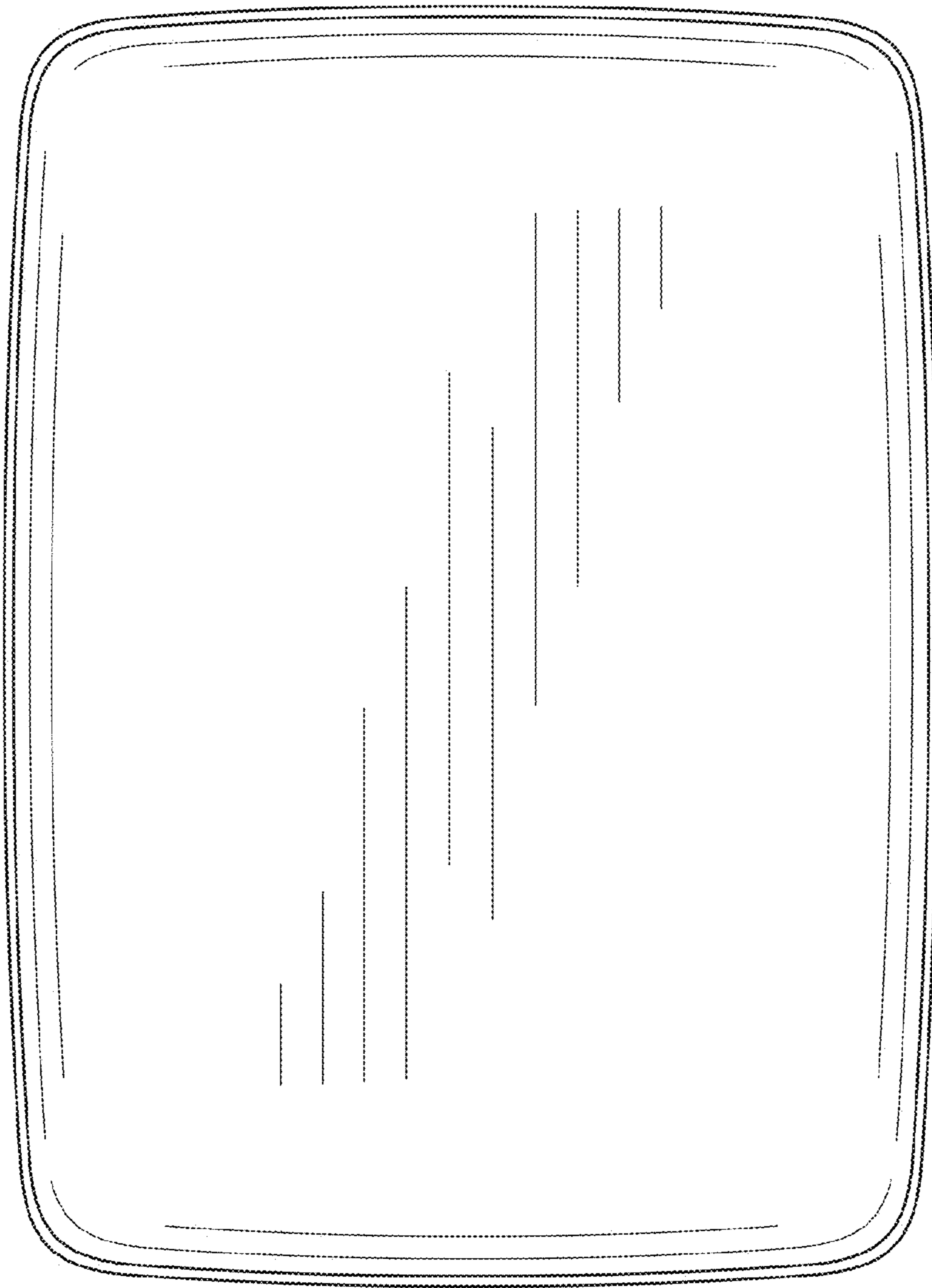


FIG. 5

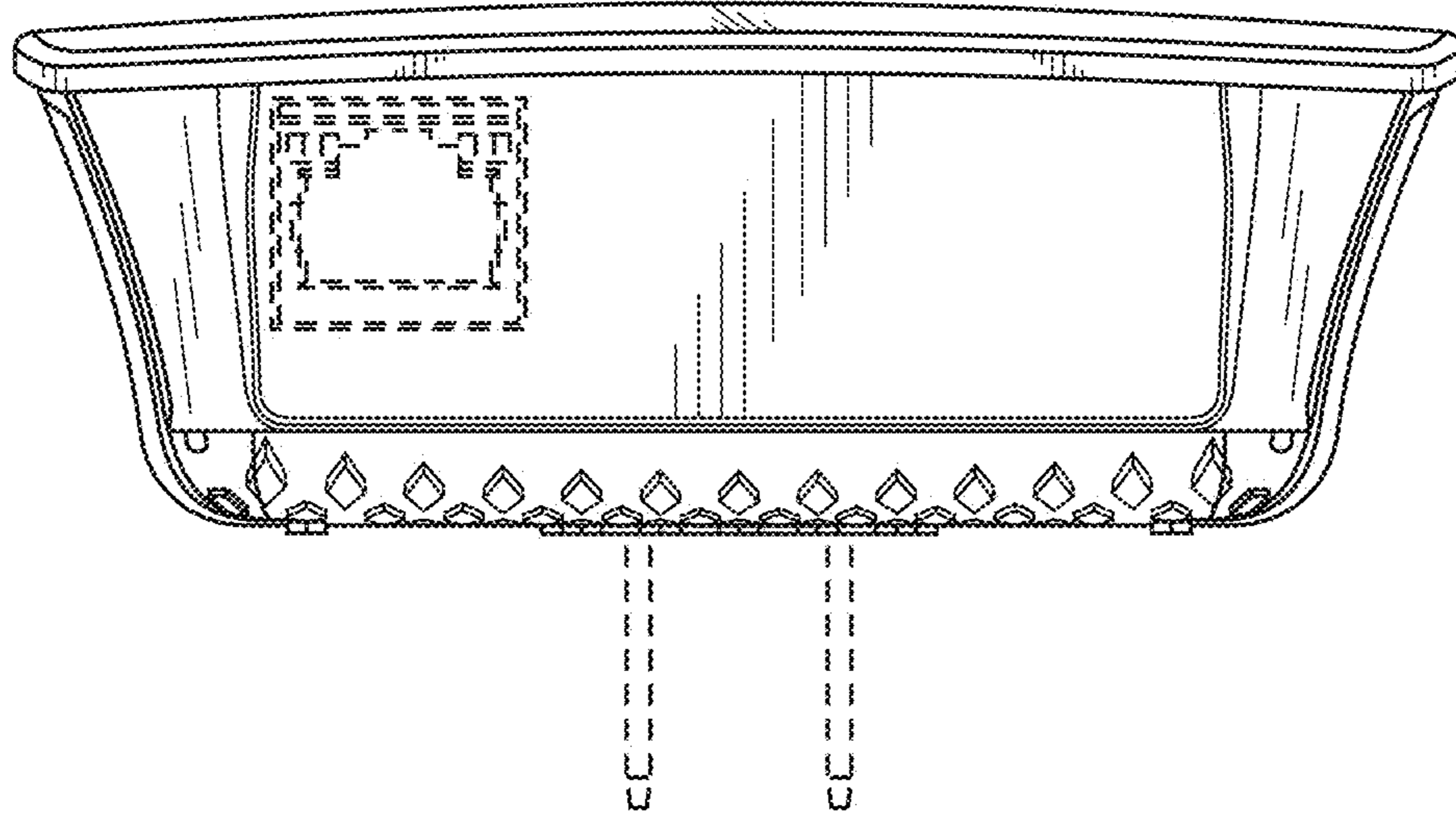


FIG. 6

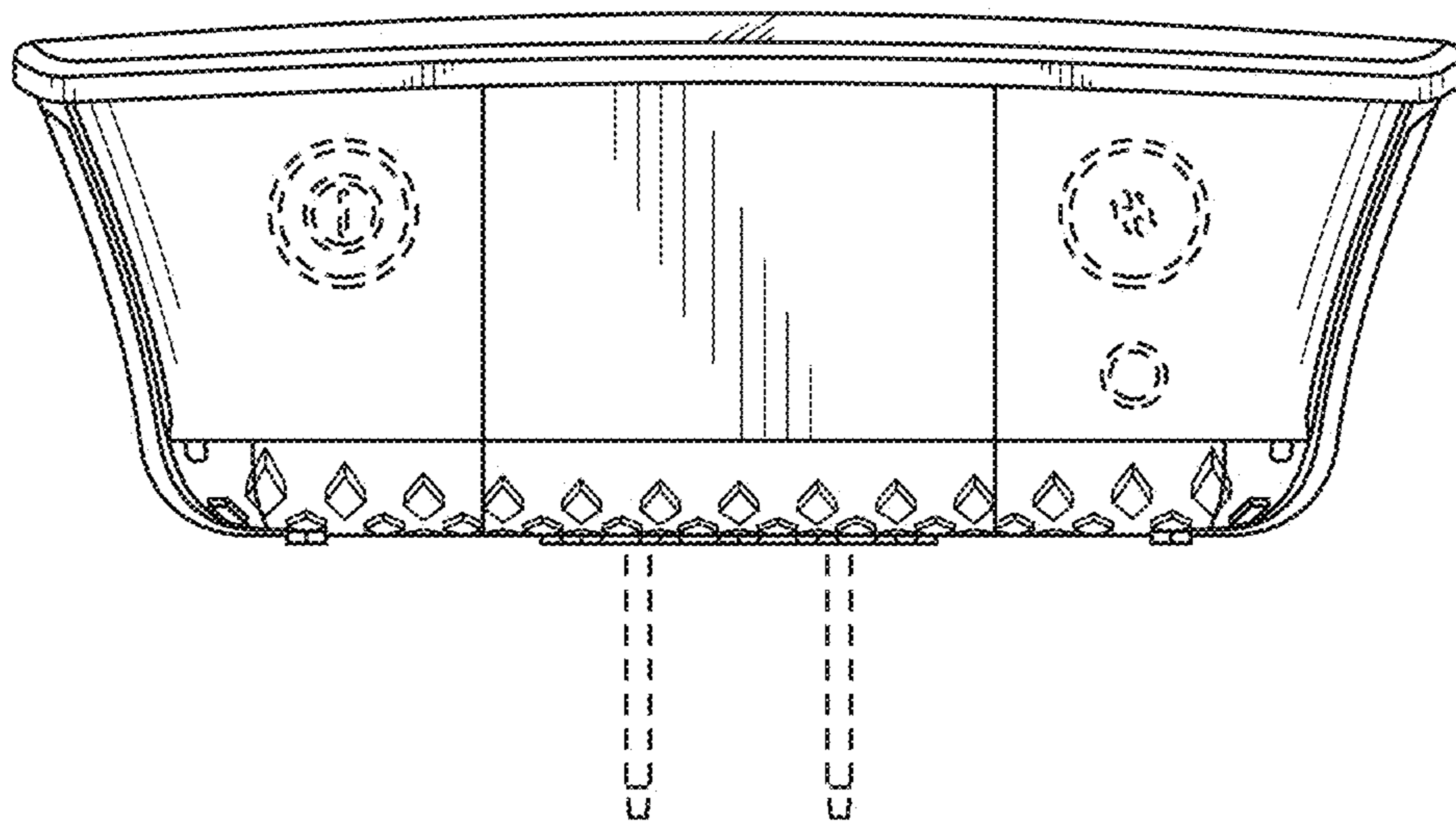


FIG. 7

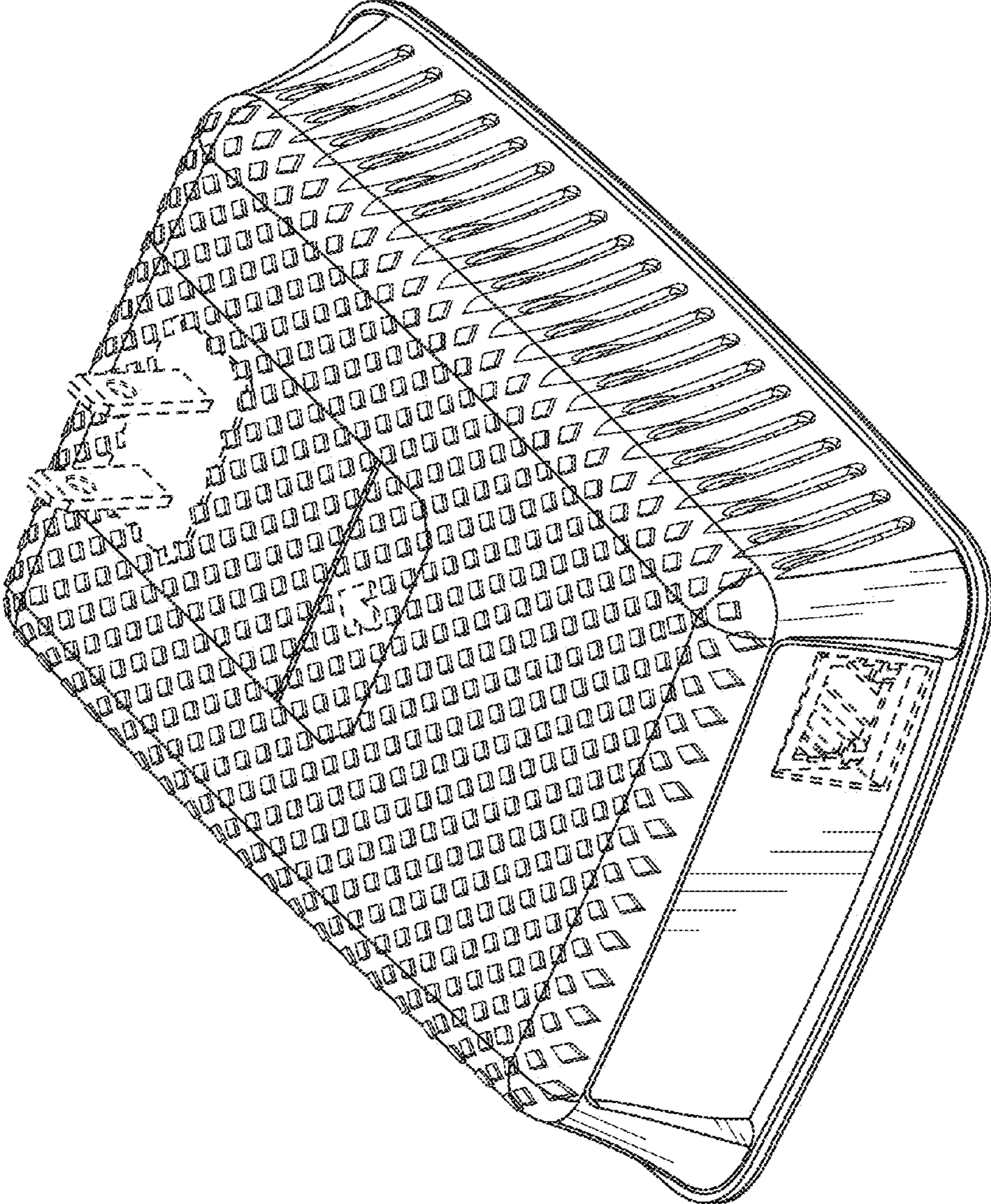


FIG. 8