



US00D687423S

(12) **United States Design Patent**  
**Lozano**

(10) **Patent No.:** **US D687,423 S**

(45) **Date of Patent:** **\*\* Aug. 6, 2013**

(54) **MOUNTING PANEL FOR AN AUDIO-VIDEO ASSEMBLY**

(71) Applicant: **Anthony Lozano**, San Jose, CA (US)

(72) Inventor: **Anthony Lozano**, San Jose, CA (US)

(\*\*) Term: **14 Years**

(21) Appl. No.: **29/443,117**

(22) Filed: **Jan. 14, 2013**

(51) **LOC (9) Cl.** ..... **14-03**

(52) **U.S. Cl.**  
USPC ..... **D14/239**

(58) **Field of Classification Search**  
USPC ..... D14/239, 168, 188, 197, 198, 371,  
D14/374-377, 496-510; 312/7.1, 7.2;  
348/836, 838, 180, 184, 325, 739, 825, 827;  
341/12; 349/58; 720/600, 619, 646, 647,  
720/655; 455/347-351; 369/75.11, 75.21;  
D6/474-499, 407, 460, 461, 468; 248/465,  
248/917-924, 123.11; 600/41.12, 42, 49.1,  
600/50, 85.2, 90.04, 187, 190, 119.003, 87.01,  
600/71.01

See application file for complete search history.

(56) **References Cited**

**U.S. PATENT DOCUMENTS**

7,041,898	B2 *	5/2006	Stempinski et al.	174/488
D539,232	S	3/2007	Lozano	
D541,764	S	5/2007	Lozano	
D552,051	S	10/2007	Lozano	
D560,411	S *	1/2008	Chung	D6/567
7,334,762	B2 *	2/2008	Dittmer	248/221.11
D570,620	S *	6/2008	Ongor	D6/479
D586,792	S	2/2009	Lozano	
D604,962	S *	12/2009	Daud	D6/477

D607,671	S *	1/2010	Sexton	D6/479
D622,275	S	8/2010	Lozano	
D639,089	S *	6/2011	Sexton	D6/477
D640,072	S *	6/2011	Sexton	D6/477
D644,854	S *	9/2011	Sexton	D6/477
D645,850	S	9/2011	Lozano	
8,059,399	B2 *	11/2011	Huang	361/679.59
D652,412	S	1/2012	Lozano	
8,100,376	B2 *	1/2012	Ye	248/454
8,191,485	B1 *	6/2012	Whalen et al.	108/42

\* cited by examiner

*Primary Examiner* — Randall Gholson

(74) *Attorney, Agent, or Firm* — Mattingly & Malur, P.C.

(57) **CLAIM**

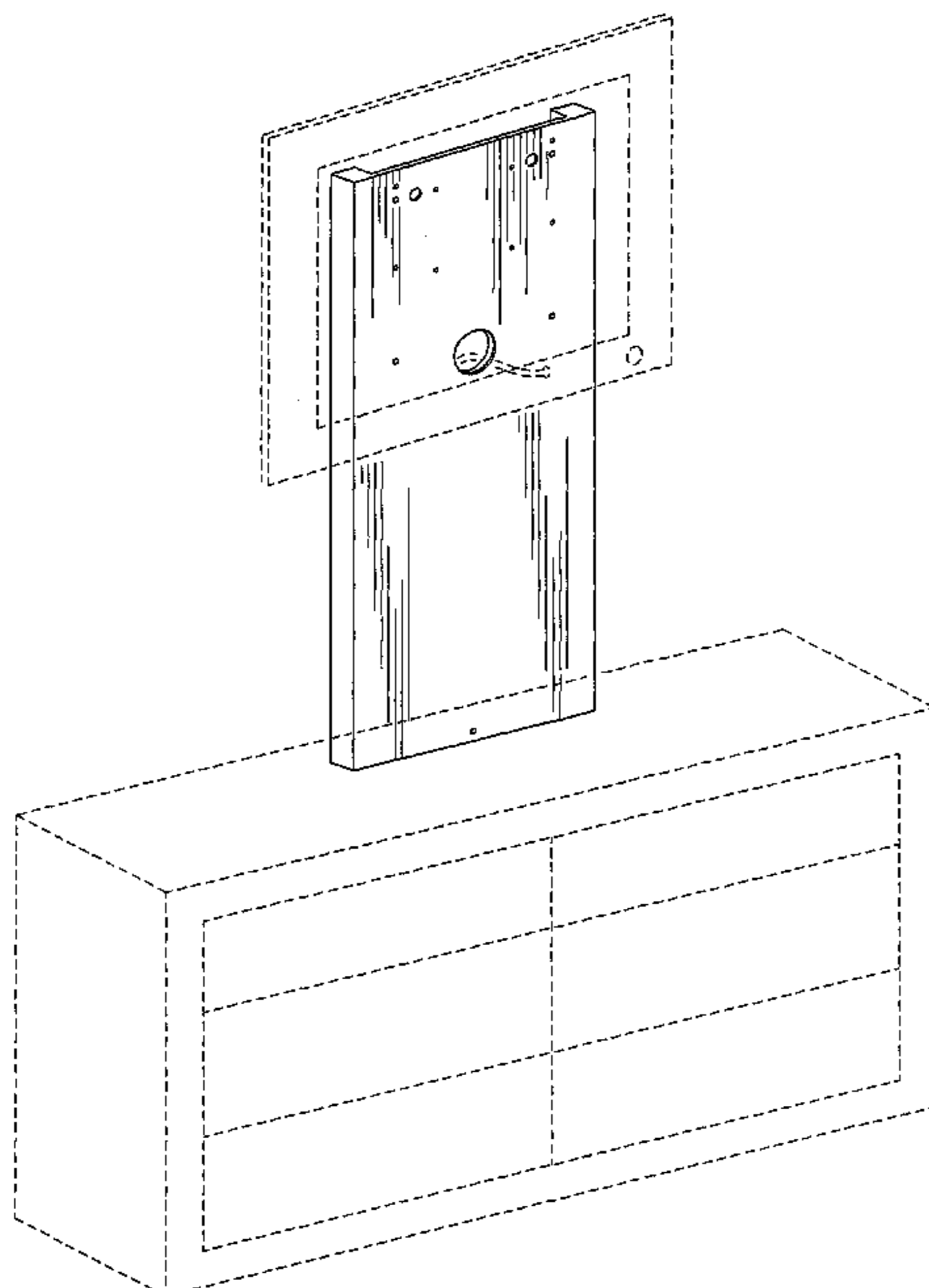
The ornamental design for a mounting panel for an audio-video assembly, as illustrated and described.

**DESCRIPTION**

FIG. 1 is a front perspective view of my new design for a mounting panel for an audio-video assembly;  
FIG. 2 is a front perspective view thereof;  
FIG. 3 is a rear perspective view thereof;  
FIG. 4 is a front elevational view thereof;  
FIG. 5 is a left plan view thereof;  
FIG. 6 is a right plan view thereof;  
FIG. 7 is a top plan view thereof;  
FIG. 8 is a bottom plan view thereof;  
FIG. 9 is a rear elevational view thereof;  
FIG. 10 is a front exploded perspective view thereof; and,  
FIG. 11 is a rear exploded perspective view thereof.

The broken lines showing of a cabinet, an audio-video assembly and associated cabling is included for the purpose of illustrating environment and forms no part of the claimed design.

**1 Claim, 8 Drawing Sheets**



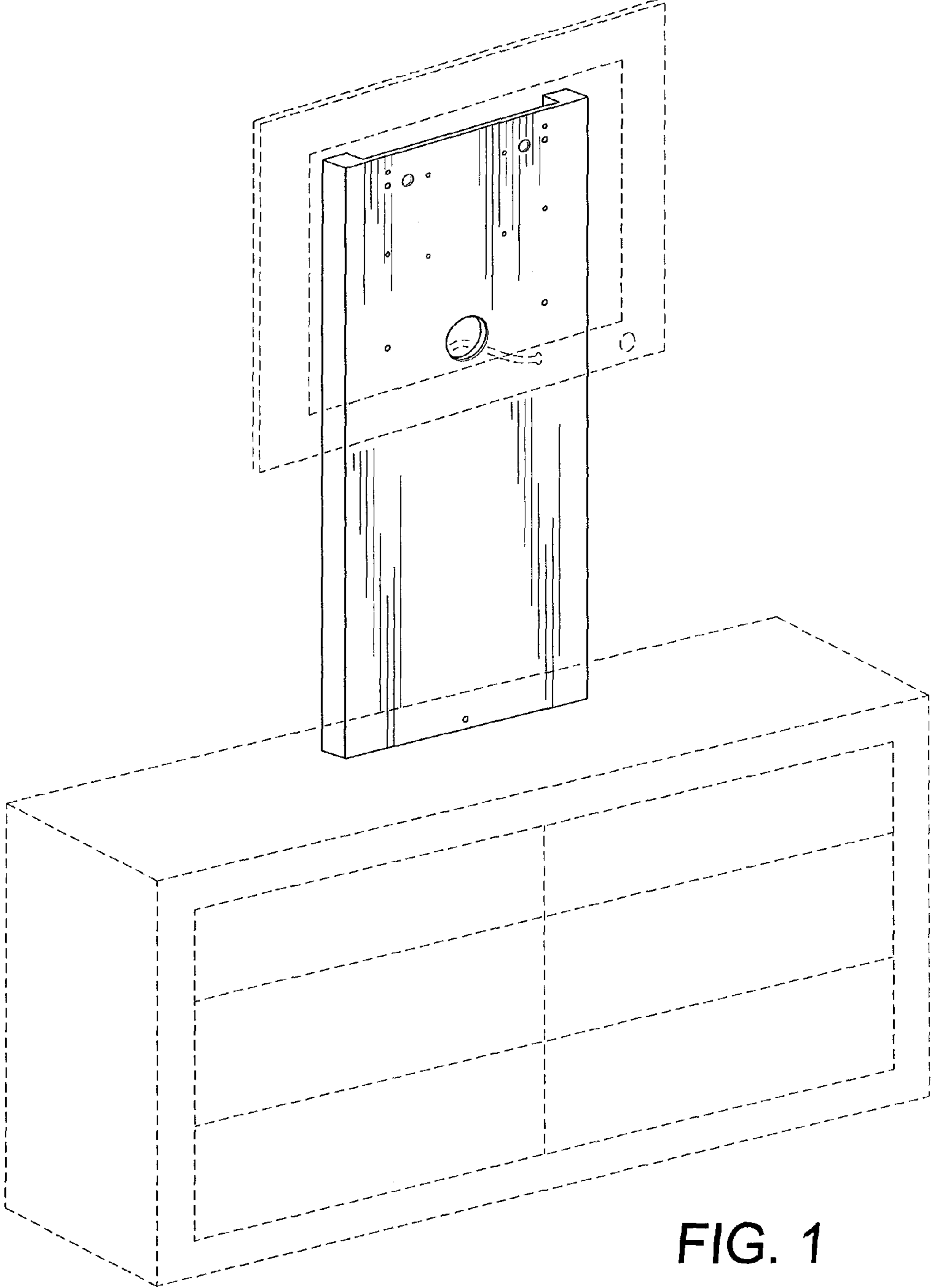


FIG. 1

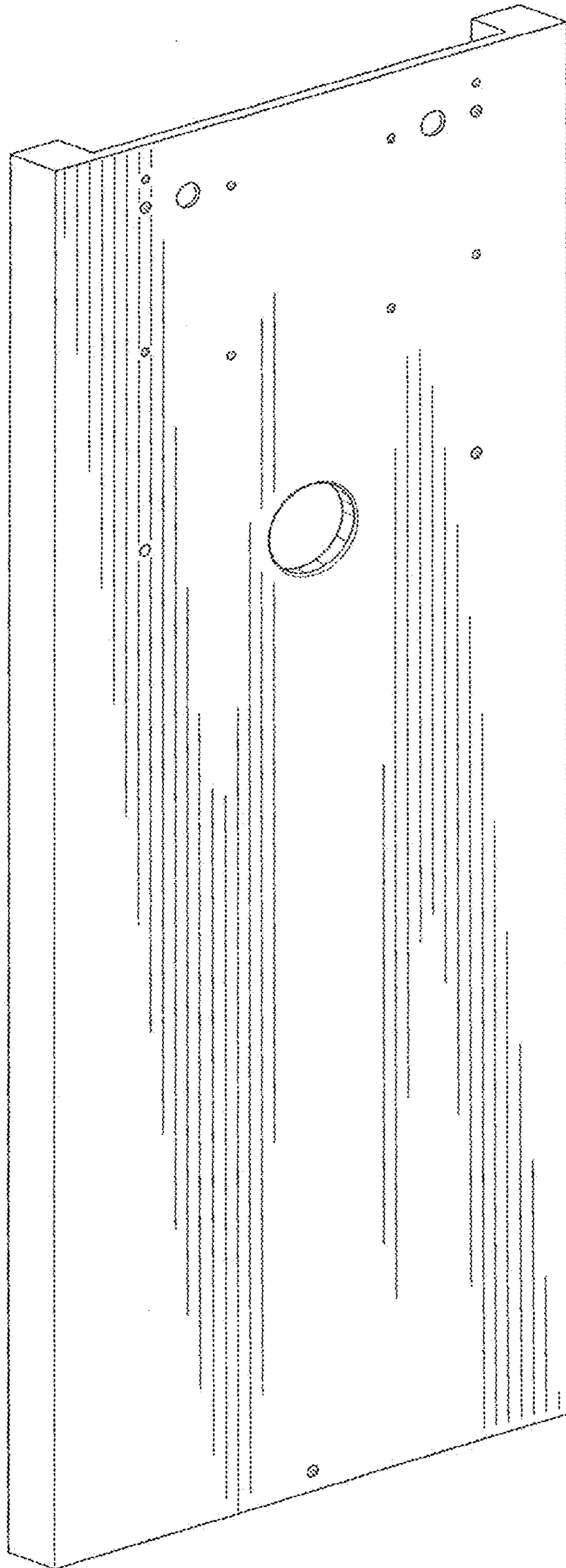


FIG. 2

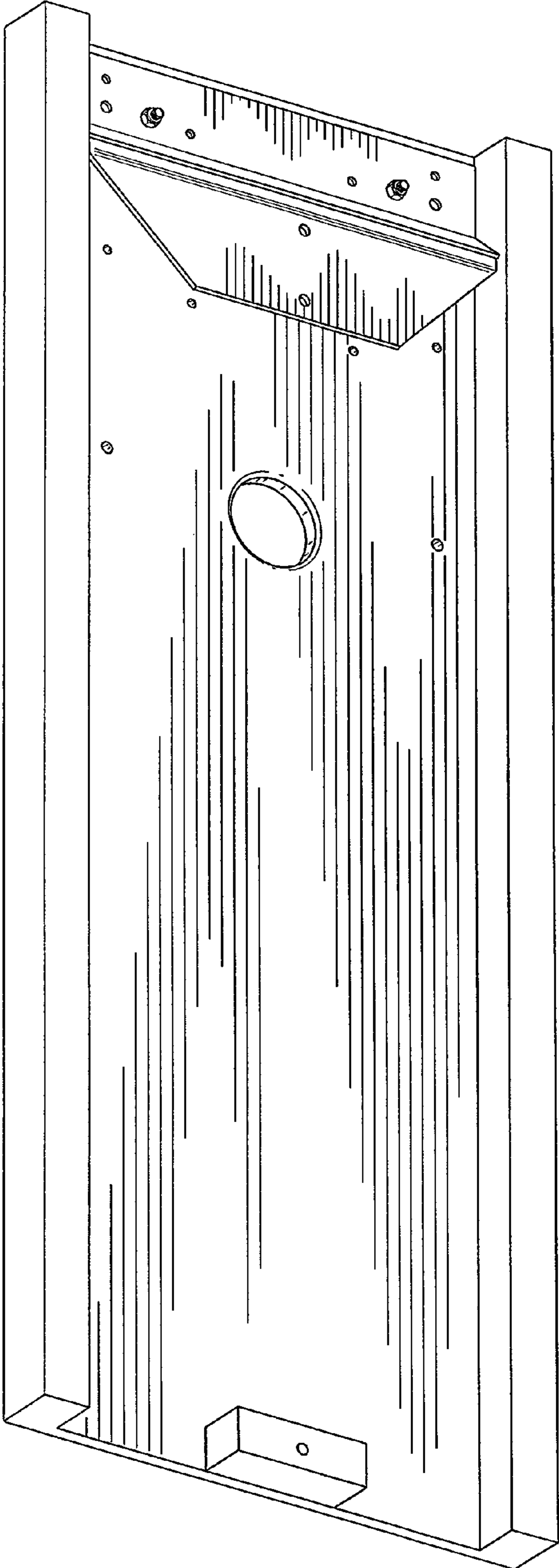


FIG. 3

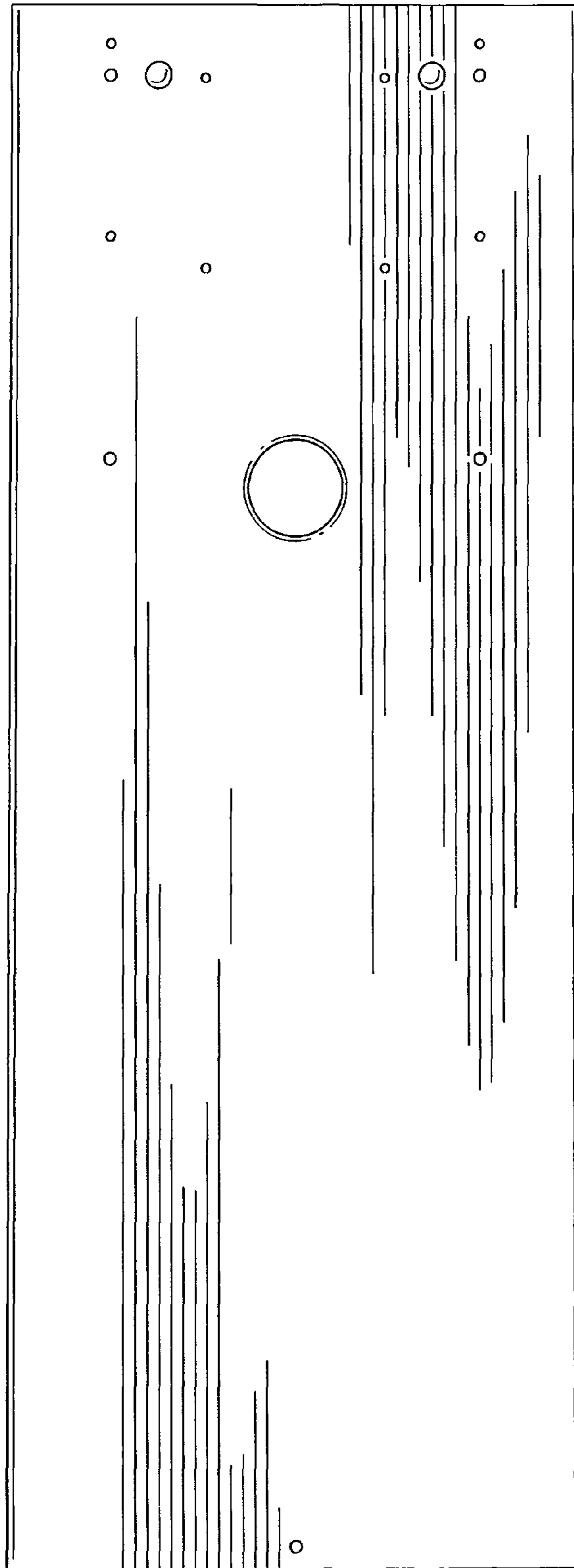


FIG. 4

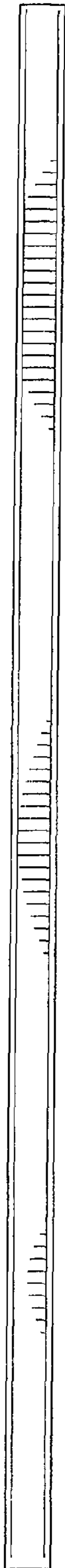


FIG. 5

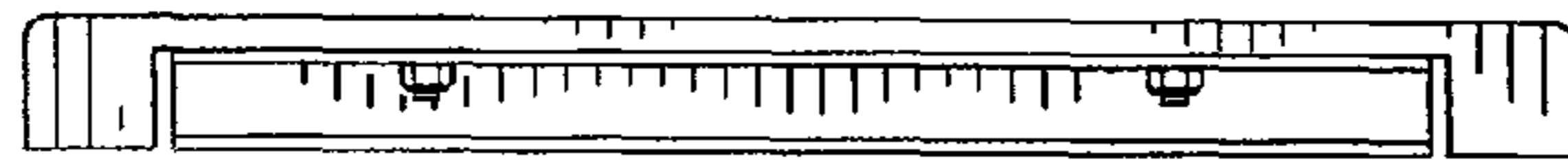


FIG. 7

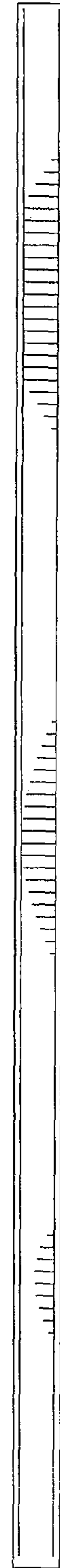


FIG. 6

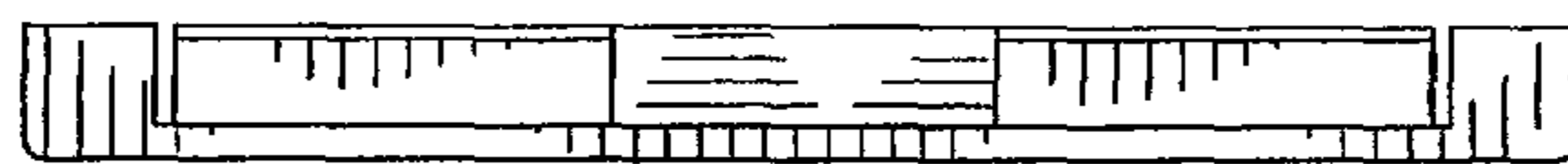


FIG. 8

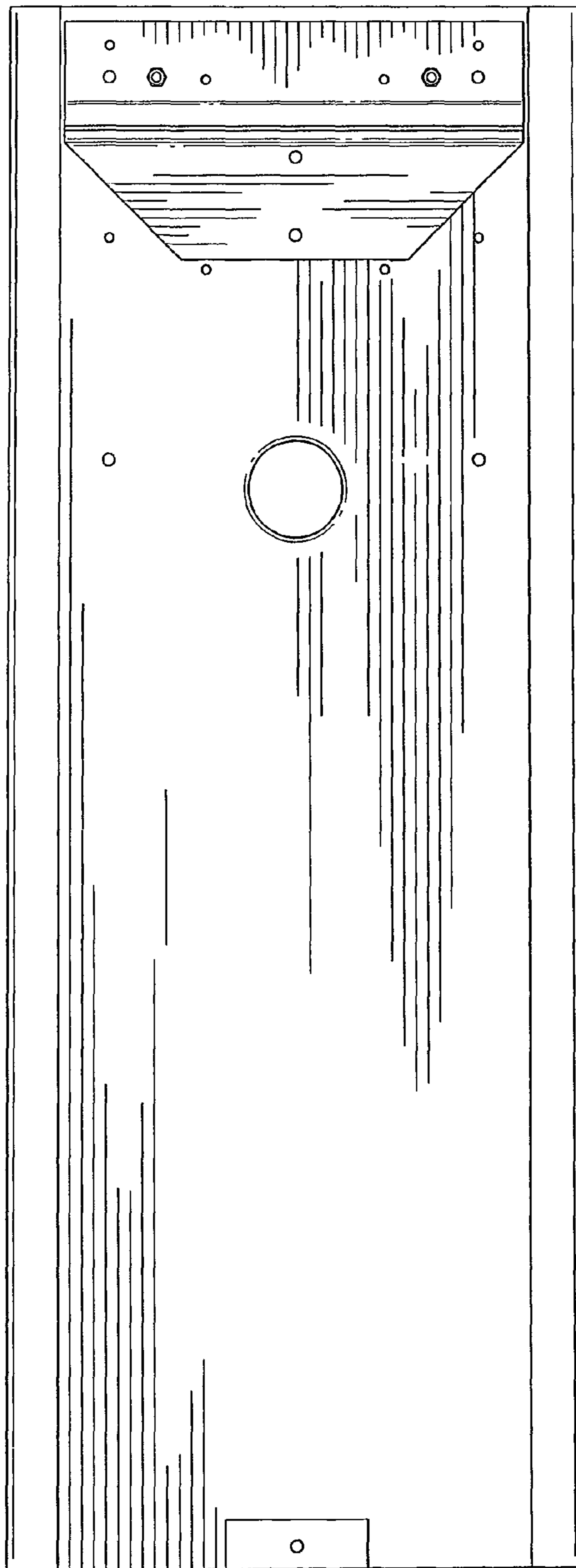


FIG. 9

FIG. 10

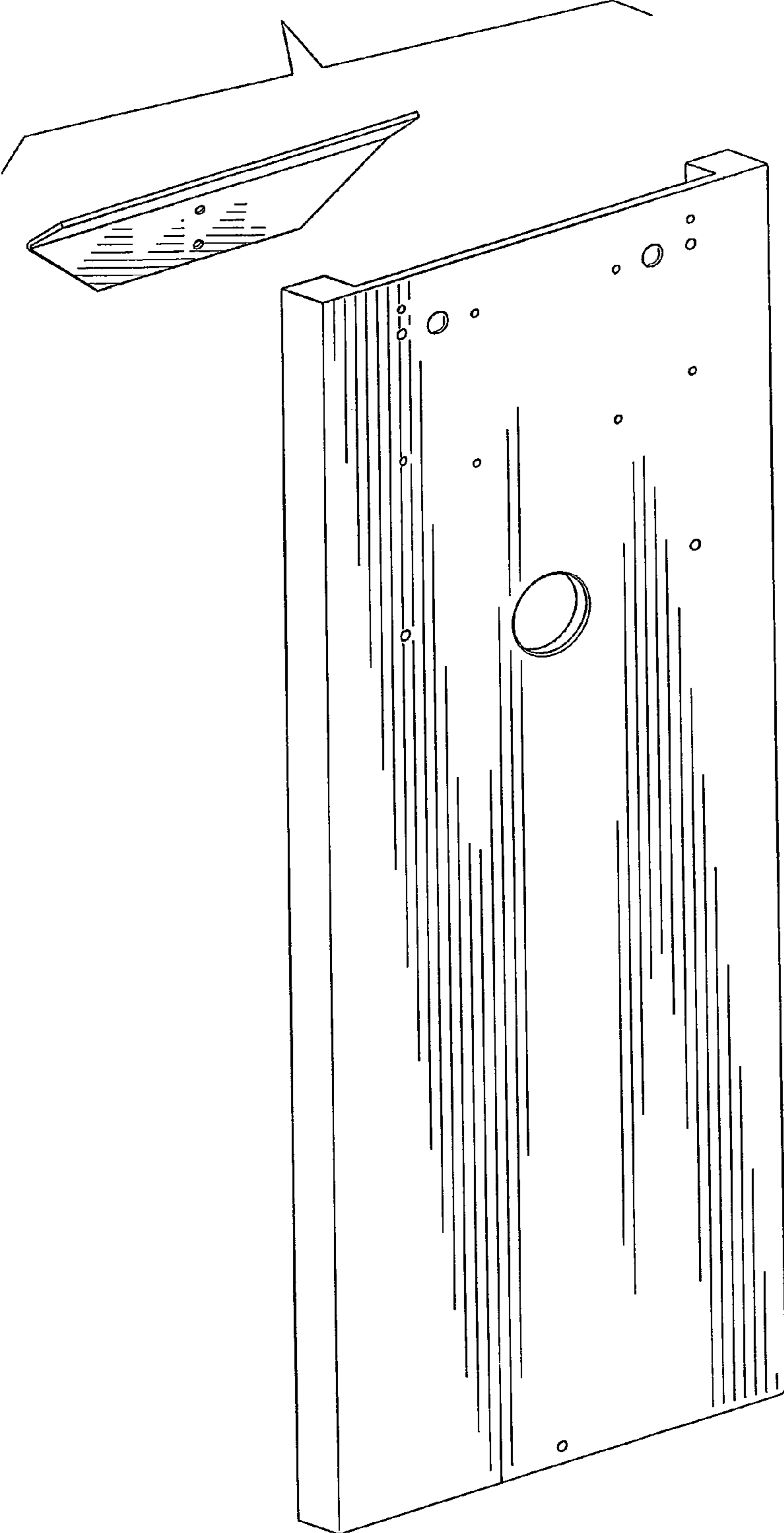




FIG. 11

