



US00D687422S

(12) **United States Design Patent**  
**Podduturi**

(10) **Patent No.:** **US D687,422 S**

(45) **Date of Patent:** **\*\* Aug. 6, 2013**

- (54) **ANTENNA SUPPORT ASSEMBLY**
- (75) Inventor: **Bharadvaj R. Podduturi**, American Canyon, CA (US)
- (73) Assignee: **World Products, LLC**, Sonoma, CA (US)
- (\*\*) Term: **14 Years**
- (21) Appl. No.: **29/430,258**
- (22) Filed: **Aug. 23, 2012**
- (51) **LOC (9) Cl.** ..... **14-03**
- (52) **U.S. Cl.**  
USPC ..... **D14/238**
- (58) **Field of Classification Search**  
USPC ..... D14/230–238, 354, 299, 358; D6/495; D16/242; 343/700 R, 878–892; 455/561  
See application file for complete search history.

6,486,849	B2 *	11/2002	Buckles	.....	343/808
D547,169	S	7/2007	Harris		
D557,260	S *	12/2007	Westerling et al.	.....	D14/230
7,486,270	B2	2/2009	Shih		
D623,633	S *	9/2010	Bliss et al.	.....	D14/233
D634,308	S *	3/2011	Bliss et al.	.....	D14/233
D656,925	S *	4/2012	Podduturi	.....	D14/230
D659,127	S *	5/2012	Bliss et al.	.....	D14/230
D664,127	S *	7/2012	Yang	.....	D14/230
2006/0001577	A1	1/2006	Smith et al.		

\* cited by examiner

*Primary Examiner* — John Windmuller

(74) *Attorney, Agent, or Firm* — Patterson Thunte Pedersen, P.A.

(57) **CLAIM**

I claim the ornamental design for an antenna support assembly, as shown.

**DESCRIPTION**

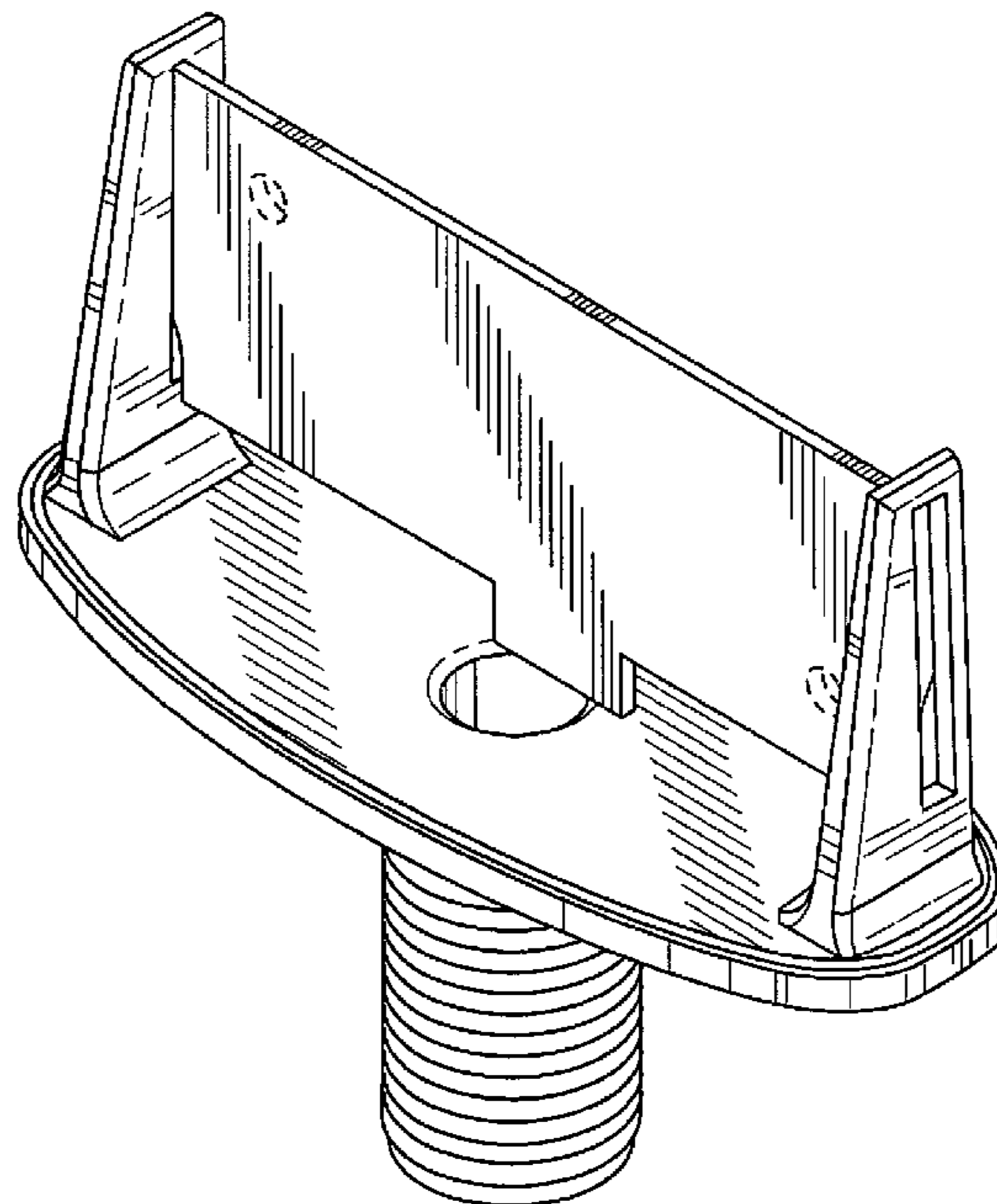
FIG. 1 is a perspective view of an antenna support assembly depicting my new design;  
 FIG. 2 is a rear elevation view of the antenna support assembly of FIG. 1;  
 FIG. 3 is a right side view of the antenna support assembly of FIG. 1;  
 FIG. 4 is a front elevation view of the antenna support assembly of FIG. 1;  
 FIG. 5 is a left side view of the antenna support assembly of FIG. 1;  
 FIG. 6 is a bottom plan view of the antenna support assembly of FIG. 1; and,  
 FIG. 7 is a top plan view of the antenna support assembly of FIG. 1.

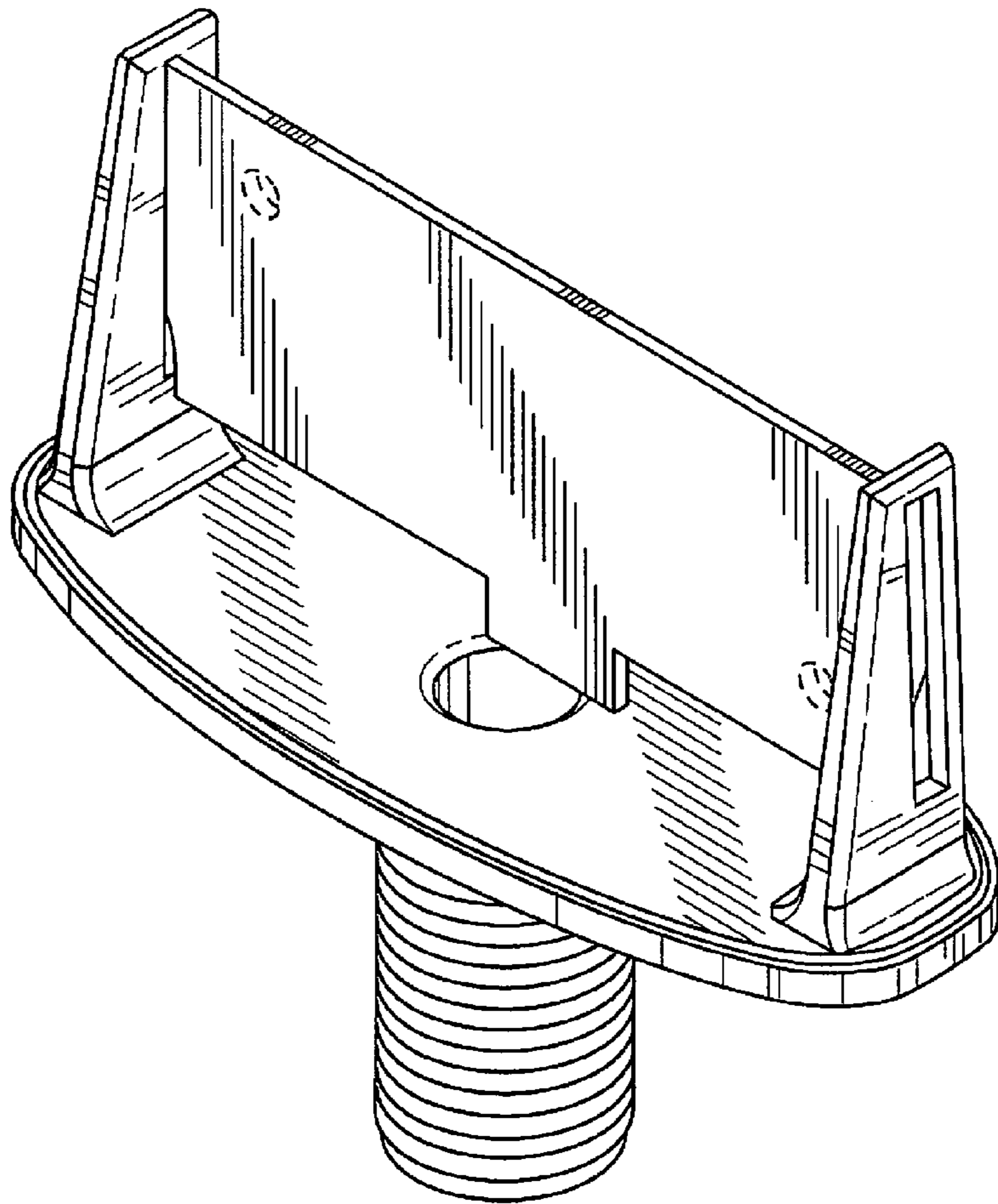
**1 Claim, 6 Drawing Sheets**

(56) **References Cited**

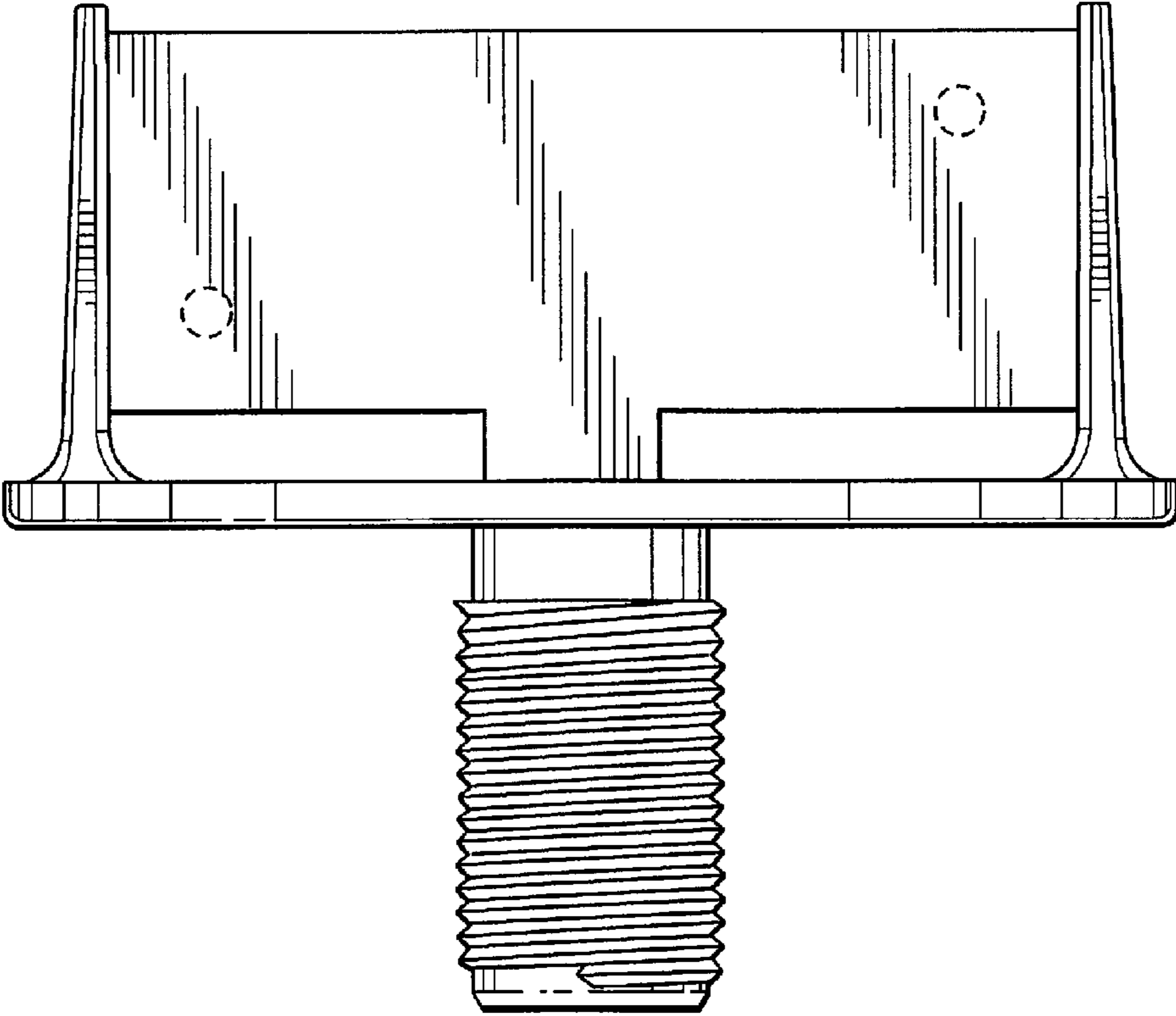
U.S. PATENT DOCUMENTS

2,144,038	A *	1/1939	Trump	.....	52/113
2,498,350	A *	2/1950	Walsh	.....	343/749
D216,890	S *	3/1970	Rogers	.....	D14/238
4,115,937	A	9/1978	Wolpert		
4,178,576	A *	12/1979	Schmidt et al.	.....	343/781 R
D302,240	S	7/1989	Zell		
D311,540	S *	10/1990	Wickrema et al.	.....	D14/233
D348,886	S *	7/1994	Watanabe	.....	D14/238
5,432,682	A	7/1995	Giehl et al.		
D379,818	S *	6/1997	Aldama et al.	.....	D14/230
D379,992	S *	6/1997	Aldama et al.	.....	D14/230
5,734,356	A *	3/1998	Chang	.....	343/882
5,986,892	A	11/1999	Hargy, III		
D424,570	S *	5/2000	Hockett et al.	.....	D14/238
6,158,594	A	12/2000	Boe		

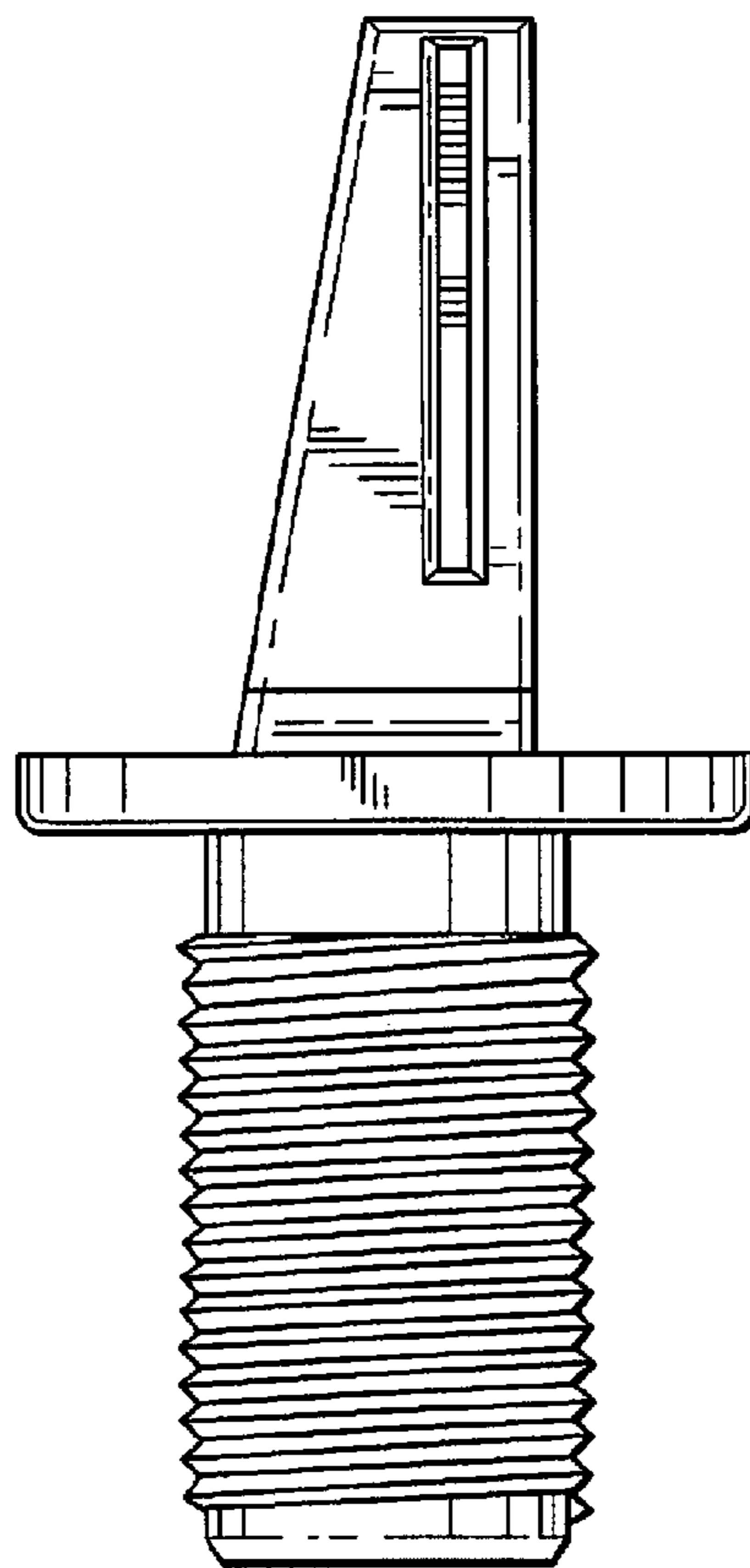




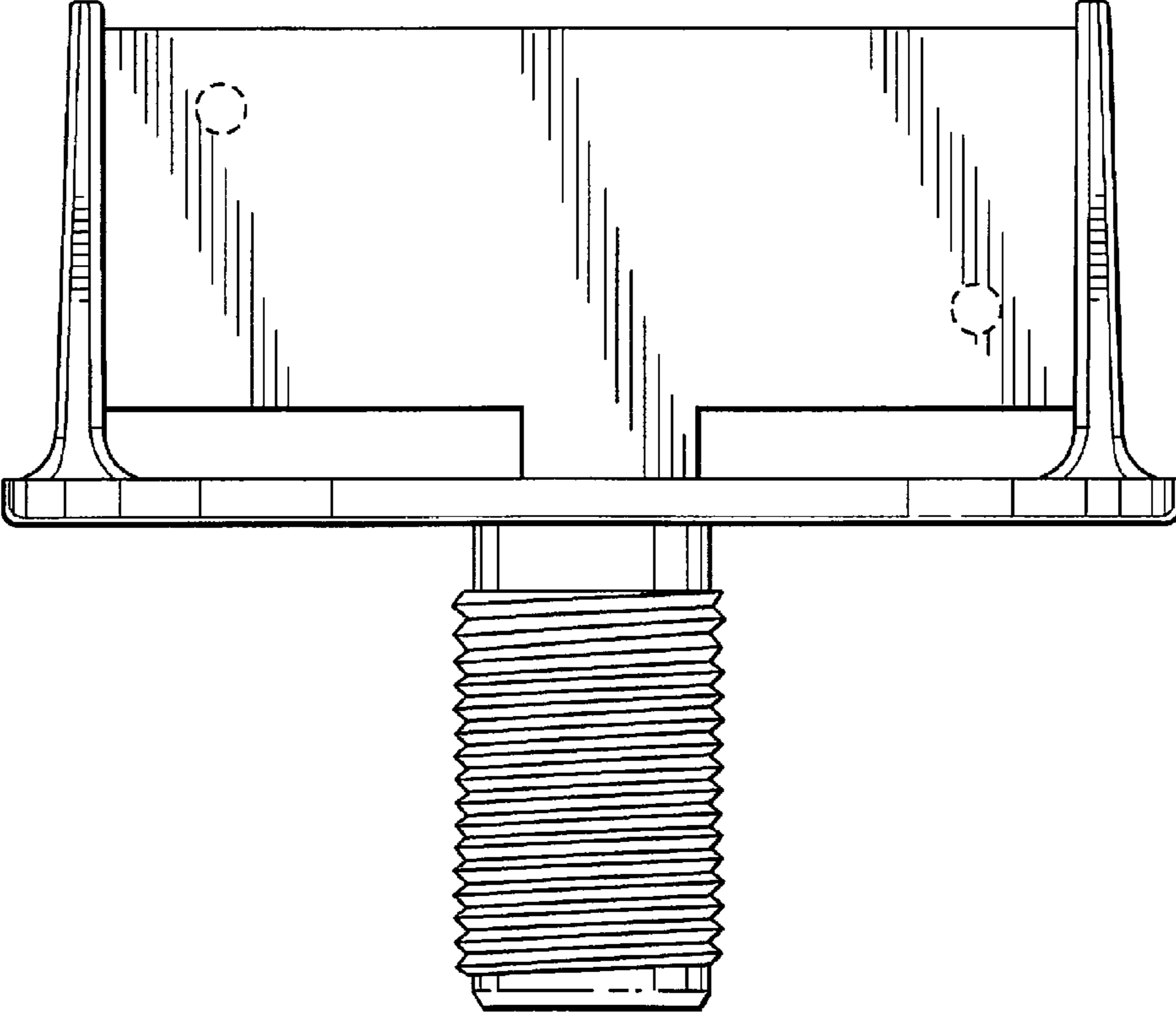
**Fig. 1**



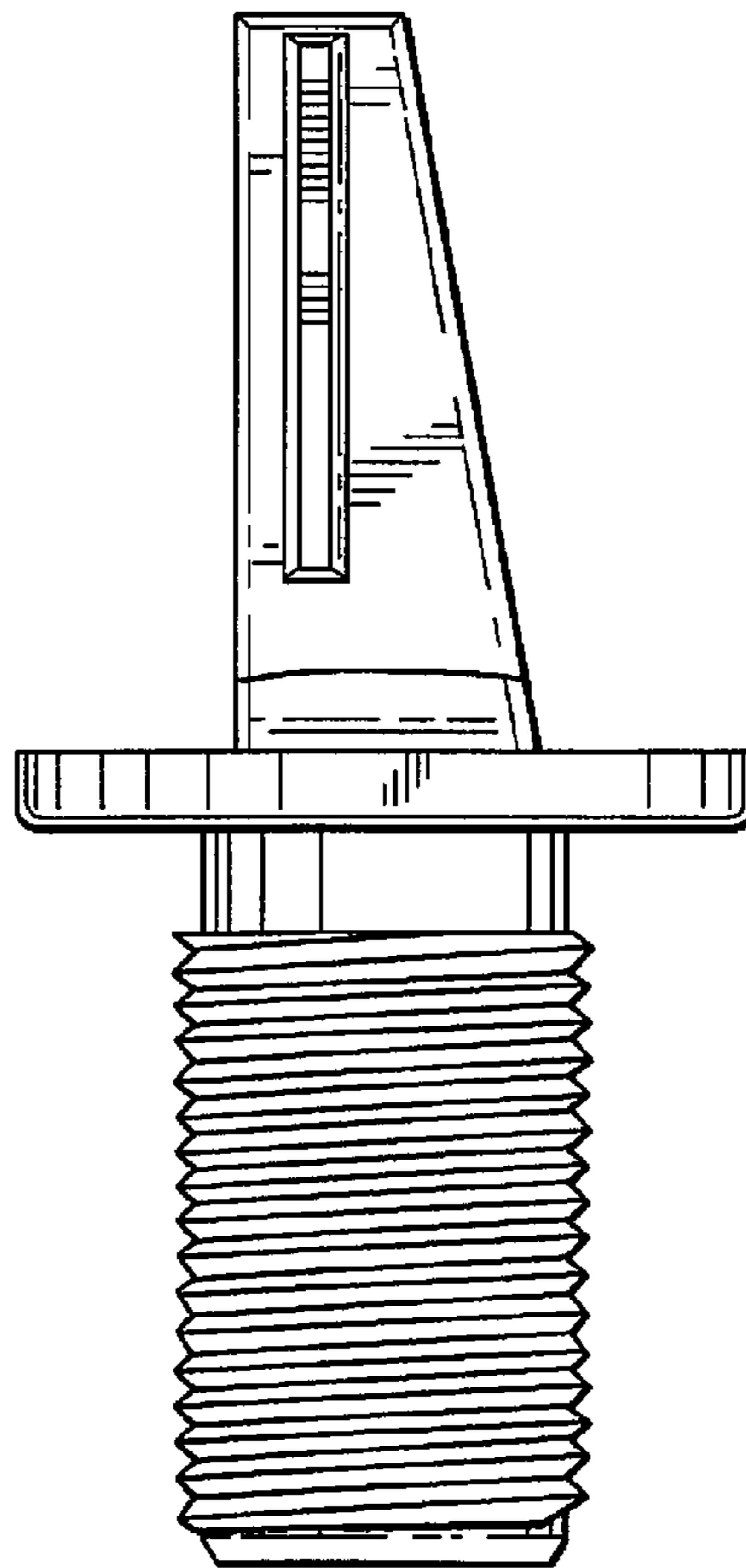
**Fig. 2**



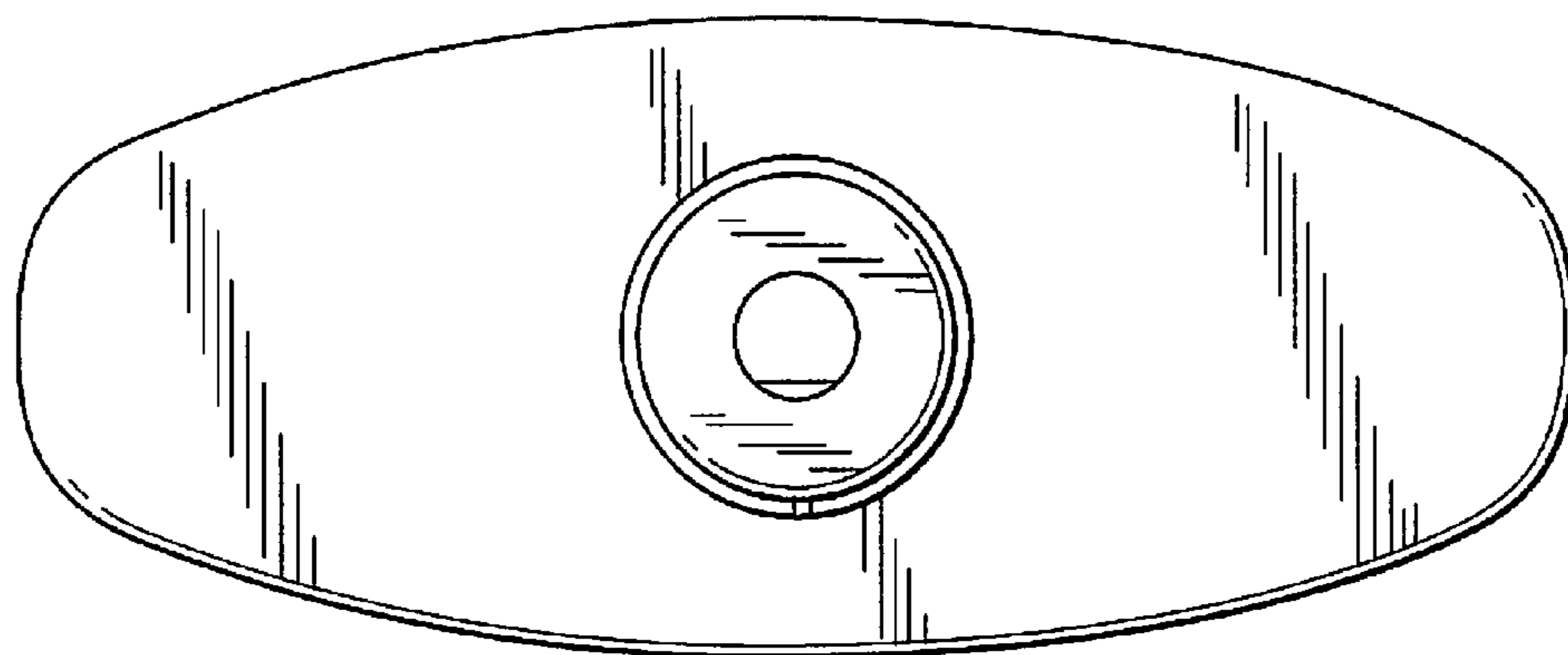
**Fig. 3**



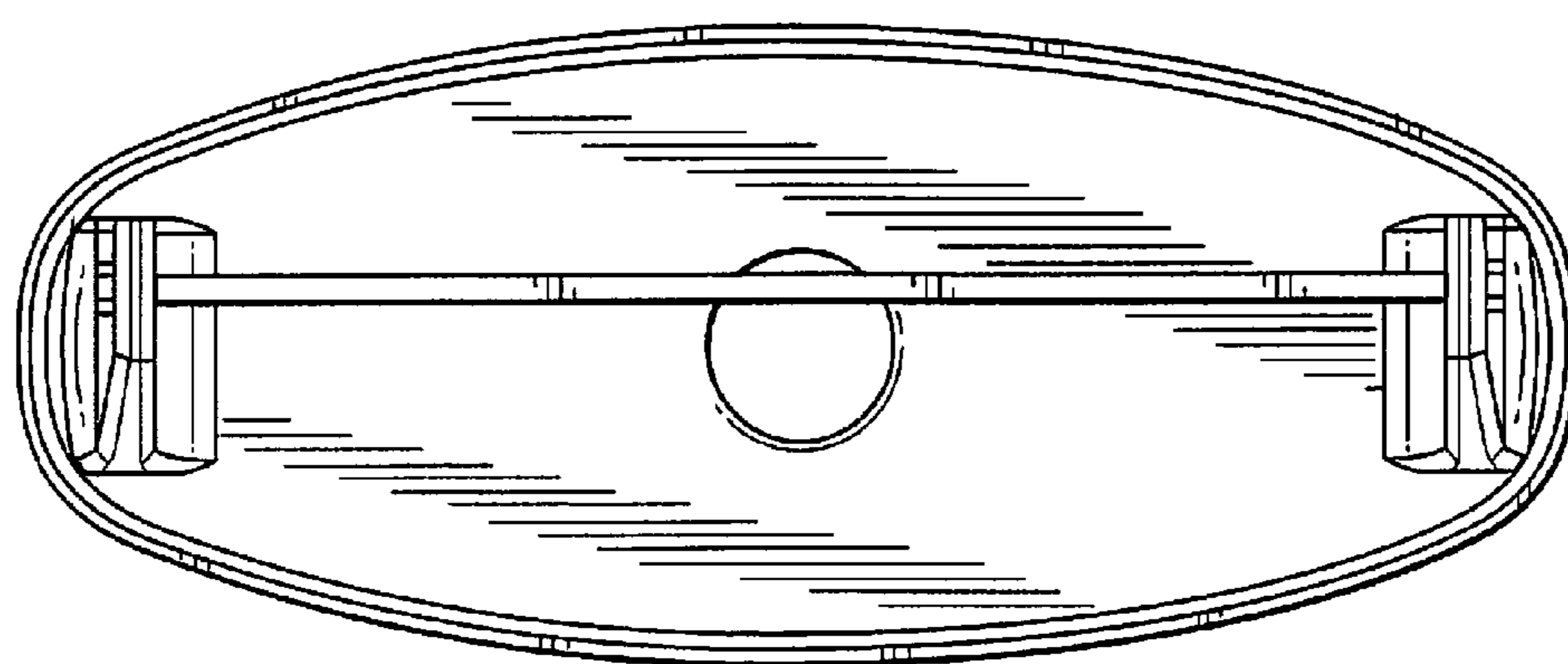
**Fig. 4**



**Fig. 5**



**Fig. 6**



**Fig. 7**