



US00D687421S

(12) **United States Design Patent**
Slaton

(10) **Patent No.:** **US D687,421 S**

(45) **Date of Patent:** **** Aug. 6, 2013**

(54) **MICROPHONE STAND**

(75) Inventor: **Robin R. Slaton**, Ft. Collins, CO (US)

(73) Assignee: **Swift Distribution, Inc.**, Torrance, CA (US)

(**) Term: **14 Years**

(21) Appl. No.: **29/353,754**

(22) Filed: **Jan. 13, 2010**

(51) **LOC (9) Cl.** **14-01**

(52) **U.S. Cl.**
USPC **D14/229**

(58) **Field of Classification Search**

USPC D14/206, 211, 224-229, 496; D24/128;
D6/396, 397, 410, 411, 415, 429-431, 449,
D6/455, 457-458, 462, 466, 495; D19/65,
D19/86; 248/188.7, 194, 205, 411, 412, 544;
403/351; D17/99

See application file for complete search history.

(56) **References Cited**

U.S. PATENT DOCUMENTS

D18,940 S	2/1889	Jackson	
688,623 A	12/1901	Forry	
D137,960 S	5/1944	Hagar	
3,338,539 A	8/1967	Foster	
D229,132 S	* 11/1973	Uroshevich D6/431
3,804,355 A	* 4/1974	Uroshevich 248/124.1
D257,987 S	1/1981	Schoenig	
4,321,874 A	3/1982	Cenna	
D264,852 S	6/1982	Scheonig	
D268,458 S	4/1983	Schoenig	
4,445,415 A	5/1984	Izquierdo	
D288,755 S	3/1987	Schoenig	
D289,952 S	5/1987	Kido	
D290,355 S	6/1987	Nagele	
4,669,691 A	6/1987	Solomon	
4,671,479 A	* 6/1987	Johnson et al. 248/173
4,763,865 A	8/1988	Danner	
4,770,380 A	9/1988	Eason et al.	

(Continued)

FOREIGN PATENT DOCUMENTS

CN 200730329517.6 12/2008
GB 2412850 7/2007

(Continued)

OTHER PUBLICATIONS

Konig & Meyer Spider Keyboard Stand, audioMIDI.com Dec. 28, 2004.

Primary Examiner — Cathron Brooks

Assistant Examiner — Katie Mroczka

(74) *Attorney, Agent, or Firm* — Santangelo Law Offices, P.C.

(57) **CLAIM**

The ornamental design for a microphone stand, as shown and described.

DESCRIPTION

FIG. 1 shows a perspective view of the microphone stand, with base folded and central shaft collapsed, showing our new design.

FIG. 2 shows a front view thereof.

FIG. 3 shows a back view thereof.

FIG. 4 shows a top view thereof.

FIG. 5 shows a bottom view thereof.

FIG. 6 shows a left view thereof.

FIG. 7 shows a right view thereof.

FIG. 8 shows a perspective view of the microphone stand in use mode, with both base and central shaft extended, showing our new design.

FIG. 9 shows a front view thereof.

FIG. 10 shows a back view thereof.

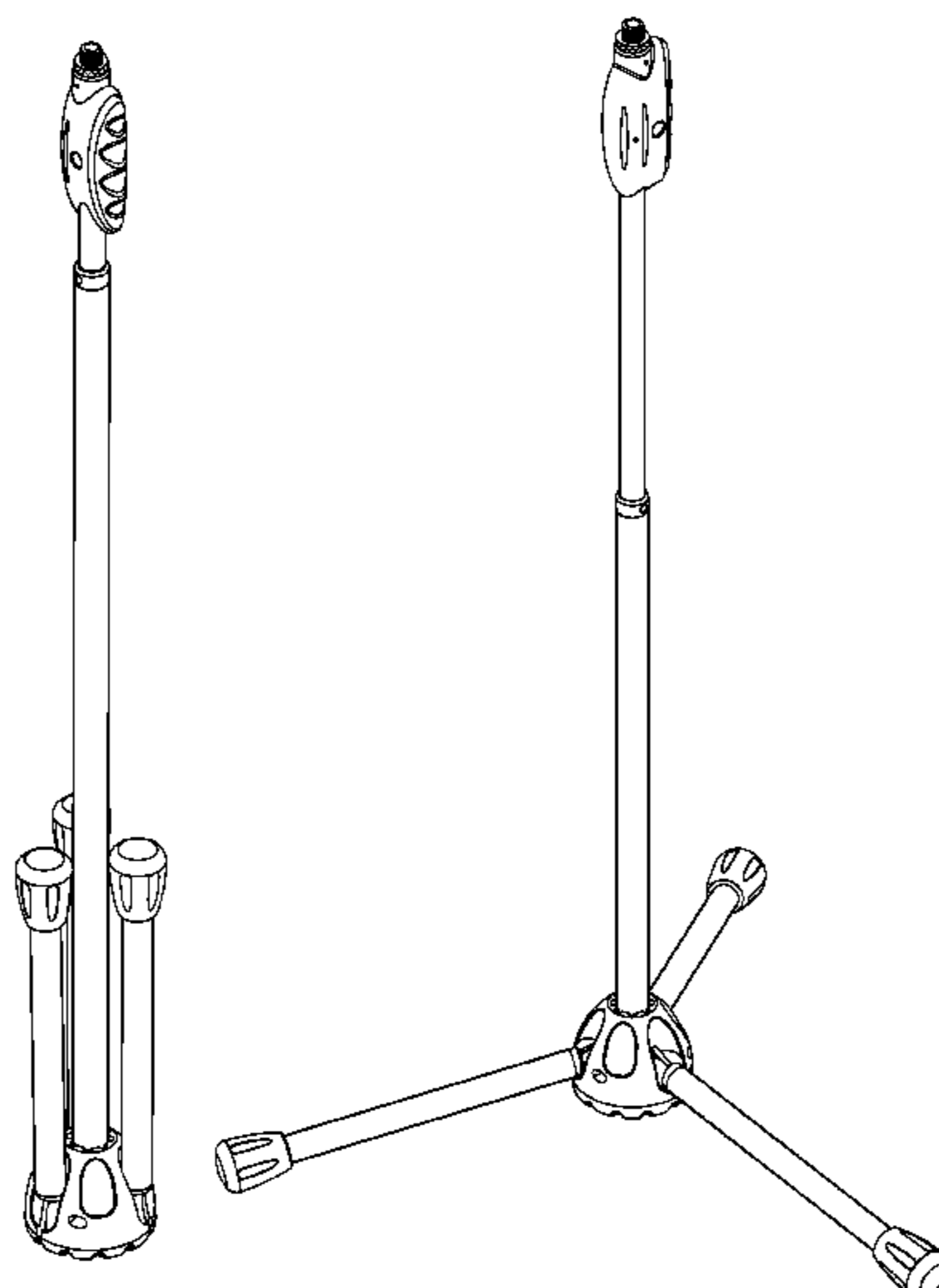
FIG. 11 shows a top view thereof.

FIG. 12 shows a bottom view thereof.

FIG. 13 shows a left view thereof; and,

FIG. 14 shows a right view thereof.

1 Claim, 14 Drawing Sheets



US D687,421 S

U.S. PATENT DOCUMENTS

D304,270	S	10/1989	Goldman	
D306,943	S	4/1990	Hodge et al.	
4,917,341	A	4/1990	Pirchio	
4,988,064	A	1/1991	Hoshino	
4,988,150	A	1/1991	Lindow et al.	
5,029,796	A	7/1991	Schoenig	
D320,034	S	9/1991	Brooks et al.	
5,048,789	A	9/1991	Eason et al.	
D321,293	S	11/1991	Kucsak	
D323,081	S	1/1992	Schaffer	
5,112,020	A	5/1992	Ginsberg	
D326,969	S	6/1992	Eason et al.	
D329,342	S	9/1992	Schoenig	
5,165,635	A	11/1992	Hoshino	
5,188,321	A	2/1993	Hirschenson et al.	
5,199,930	A	4/1993	Weber	
D335,889	S	5/1993	Gibran	
5,208,736	A	5/1993	Crooks et al.	
D336,099	S	6/1993	Schoenig	
5,251,925	A	10/1993	Haley, Sr.	
5,301,910	A	4/1994	Lang et al.	
5,312,076	A	5/1994	Rogov	
5,322,250	A	6/1994	Wilhite, Jr.	
5,358,204	A	10/1994	Terada	
5,390,764	A	2/1995	Kerber	
5,392,476	A	2/1995	Williams	
5,395,088	A	3/1995	Ginsberg	
D364,281	S	11/1995	Eason	
D364,516	S	11/1995	Helenowski	
5,467,953	A	11/1995	Malizia	
5,509,629	A	4/1996	Sassmannshausen et al.	
D370,575	S	6/1996	Lechleiter et al.	
5,565,889	A	10/1996	Crooks et al.	
D375,639	S	11/1996	House et al.	
5,572,237	A	11/1996	Crooks et al.	
5,603,480	A	2/1997	Chen	
D390,953	S *	2/1998	Ward et al.	D24/128
5,713,553	A *	2/1998	Cooper	248/461
5,732,928	A	3/1998	Chang	
D400,735	S	11/1998	House et al.	
5,857,649	A	1/1999	Eason	
5,894,406	A	4/1999	Blend et al.	
D409,020	S	5/1999	Hardin	
D409,594	S	5/1999	Lepack	
D414,962	S	10/1999	Welsh et al.	
D416,464	S	11/1999	Eason	
5,996,814	A	12/1999	Workman et al.	
D421,447	S	3/2000	Eason	
6,045,179	A	4/2000	Harrison	
D435,365	S *	12/2000	Eason et al.	D6/466

6,283,421	B1 *	9/2001	Eason et al.	248/170
D450,339	S	11/2001	Eason	
6,343,802	B1	2/2002	Workman et al.	
6,375,135	B1	4/2002	Eason et al.	
D468,133	S	1/2003	Lauts	
D470,336	S	2/2003	Malizia	
6,563,035	B2	5/2003	Hsieh	
D475,555	S	6/2003	Lauts	
6,609,686	B2	8/2003	Malizia	
6,695,268	B1 *	2/2004	Hsieh	248/188.7
D493,363	S	7/2004	Eason	
6,789,772	B2	9/2004	Eason	
D497,904	S *	11/2004	Dardashti	D14/224
6,814,332	B2	11/2004	Eason	
D506,219	S	6/2005	Eason	
7,007,909	B2 *	3/2006	Hsieh	248/412
7,258,320	B2 *	8/2007	Tai	248/460
7,412,069	B2	8/2008	Workman et al.	
D576,870	S	9/2008	Eason et al.	
D580,262	S	11/2008	Eason et al.	
D589,151	S *	3/2009	Sabio	D24/174
7,628,360	B2 *	12/2009	Anthes et al.	248/125.8
D613,092	S	4/2010	Eason et al.	
D643,230	S *	8/2011	Hepeng	D6/411
D646,501	S *	10/2011	Hepeng	D6/397
8,106,278	B2	1/2012	Eason	
D657,977	S	4/2012	Belitz	
2002/0100852	A1	8/2002	Eason et al.	
2002/0109051	A1	8/2002	Kitagawa et al.	
2004/0144233	A1	7/2004	Hsieh	
2005/0035247	A1	2/2005	Roberts et al.	
2008/0135697	A1	6/2008	Workman et al.	
2008/0229901	A1	9/2008	Eason et al.	
2008/0247810	A1	10/2008	Eason	
2008/0253601	A1 *	10/2008	Hilderman	381/363
2010/0243828	A1 *	9/2010	Lippert et al.	248/157

FOREIGN PATENT DOCUMENTS

GB	2429494	8/2007
WO	2004065841	8/2004
WO	2004066667	8/2004
WO	2005070184	8/2004
WO	2005070132	A2 4/2005
WO	2005067541	A2 7/2005
WO	2005070123	8/2005
WO	2006073383	A2 7/2006
WO	2008134653	11/2008
WO	2009091929	7/2009

* cited by examiner

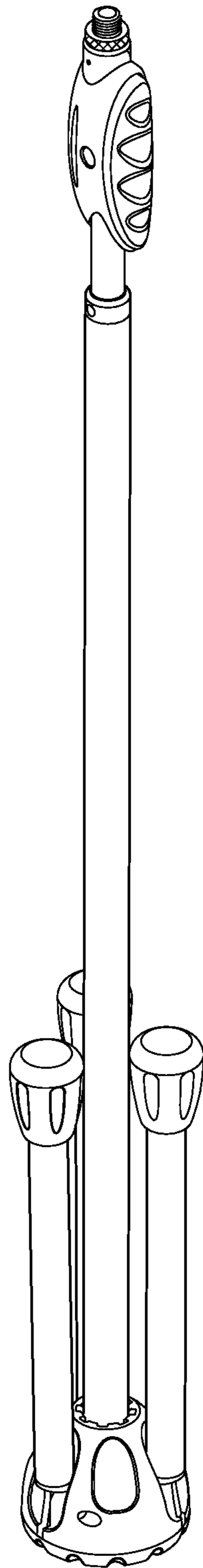


Fig. 1

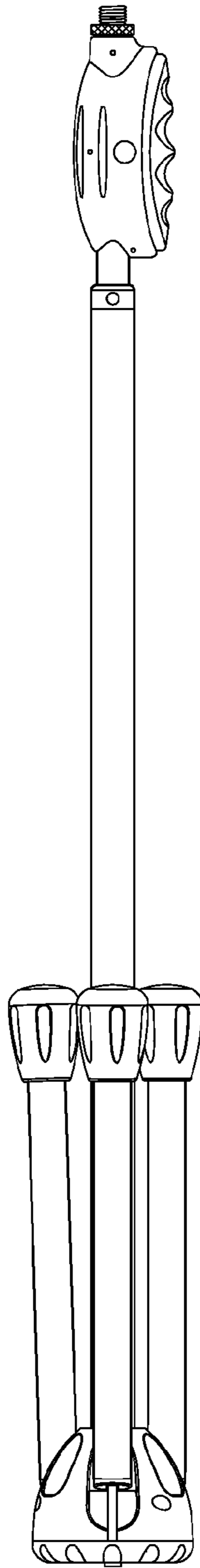


Fig. 2

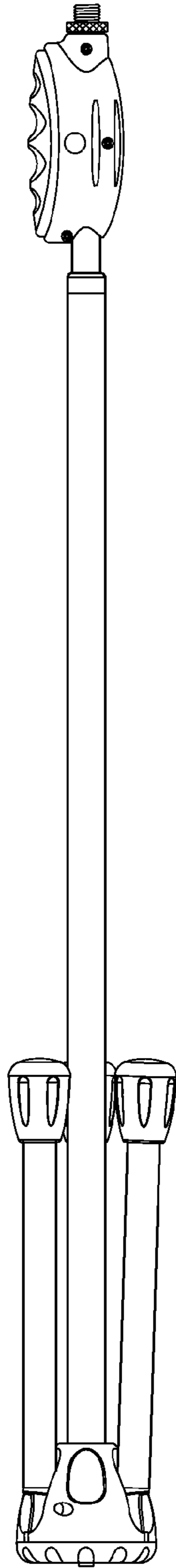


Fig. 3

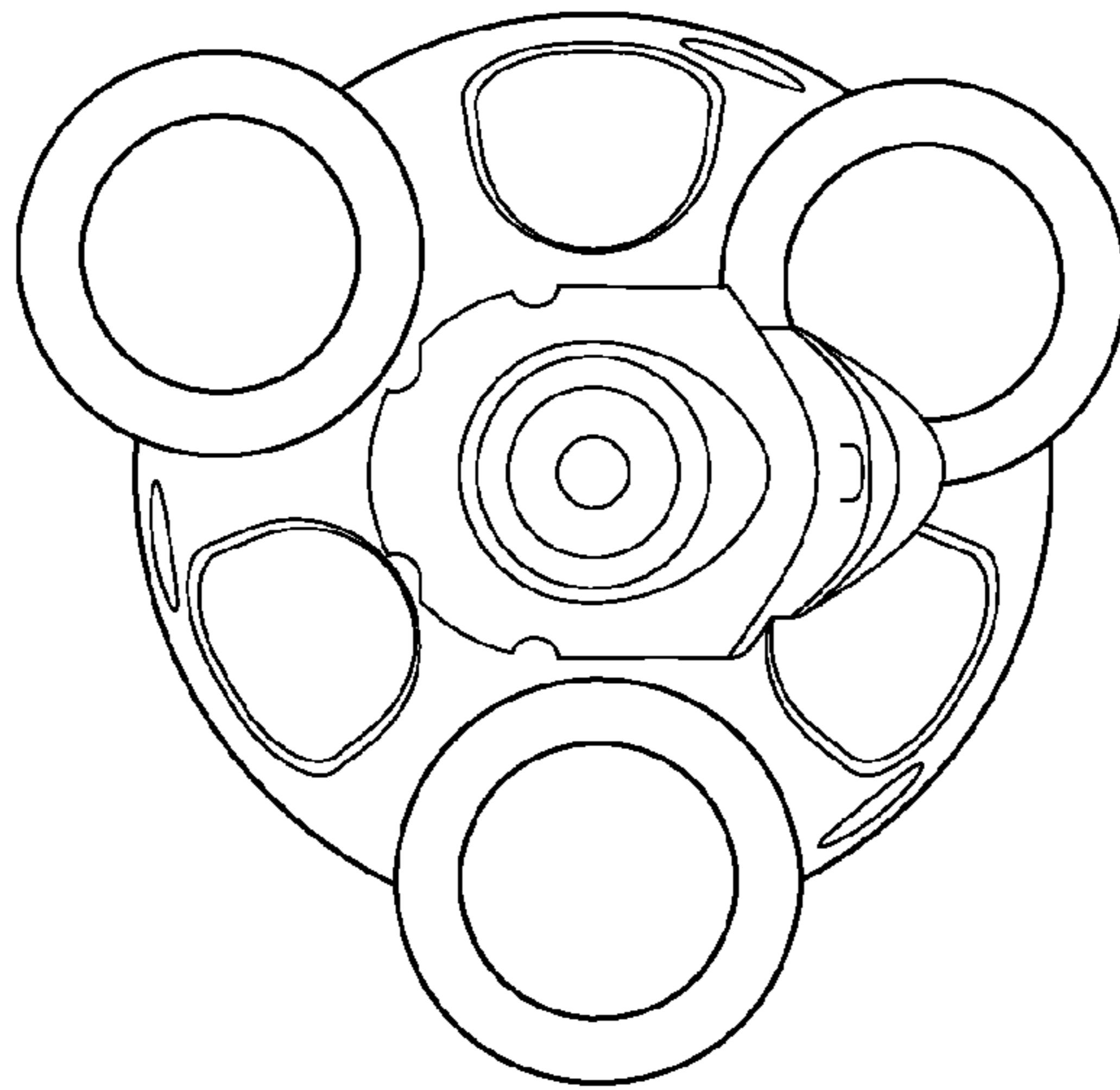


Fig. 4

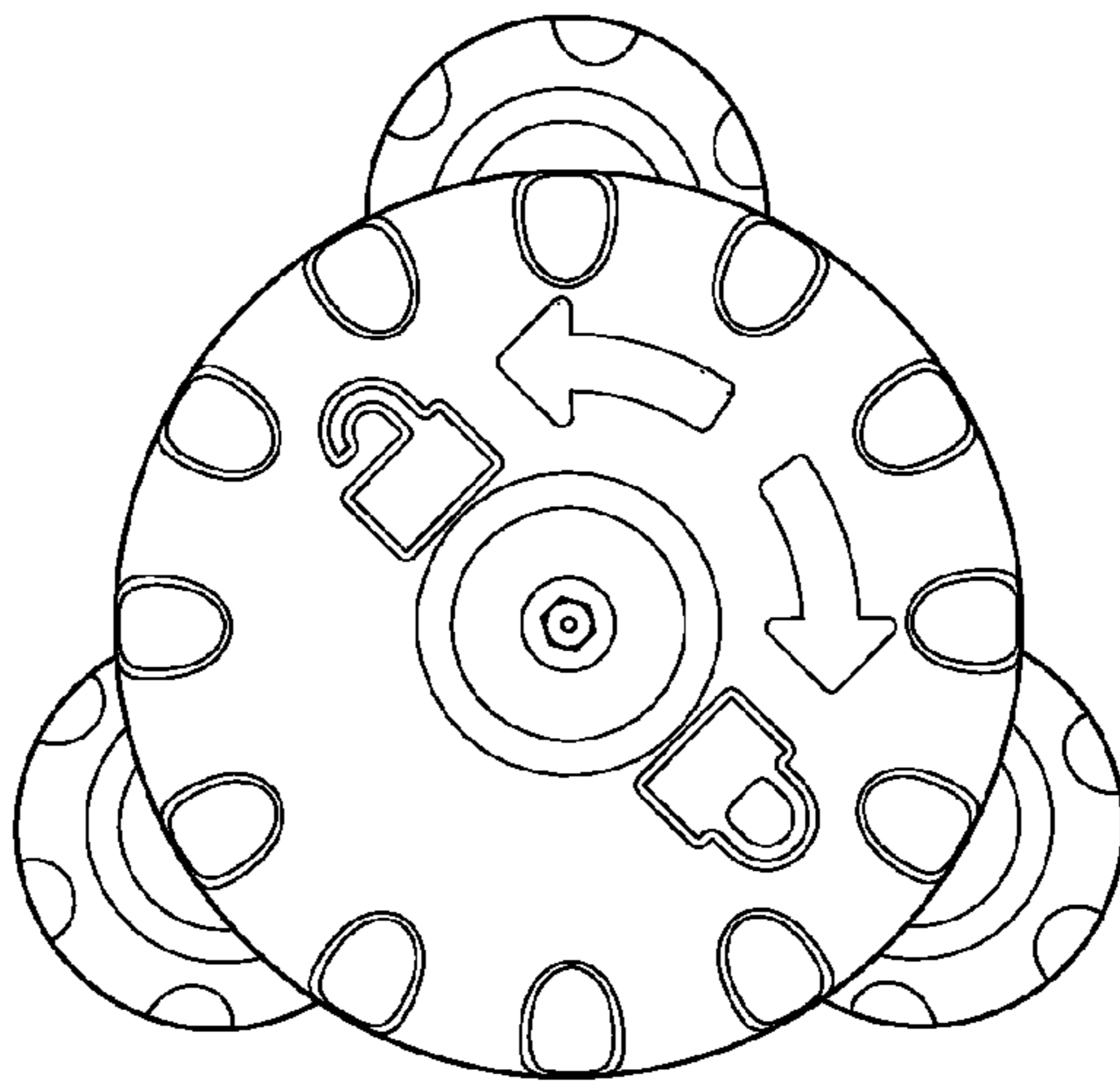


Fig. 5

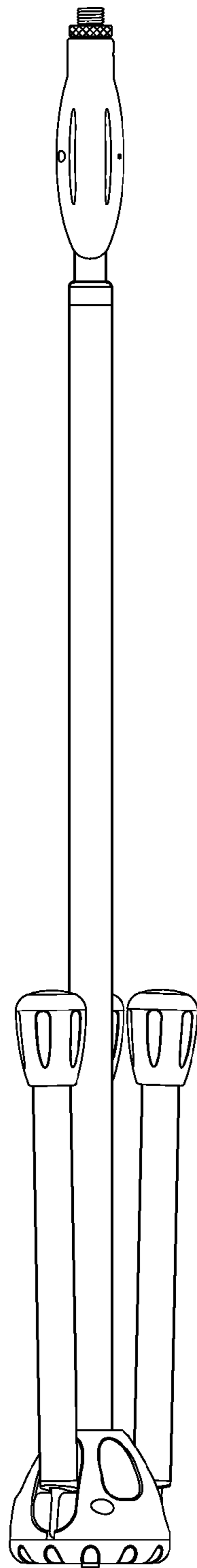


Fig. 6

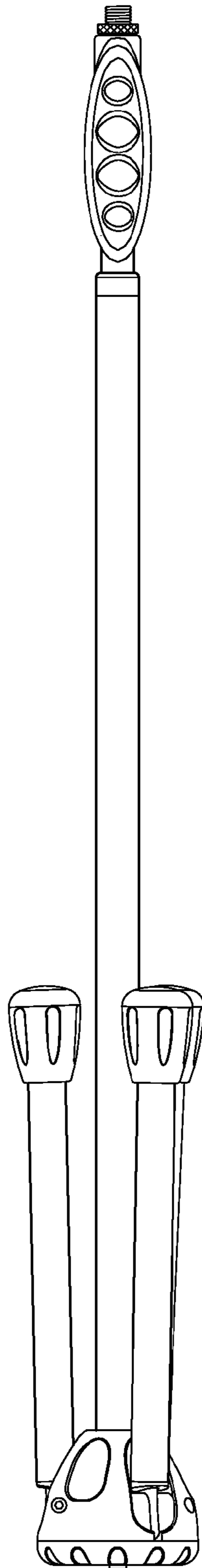


Fig. 7

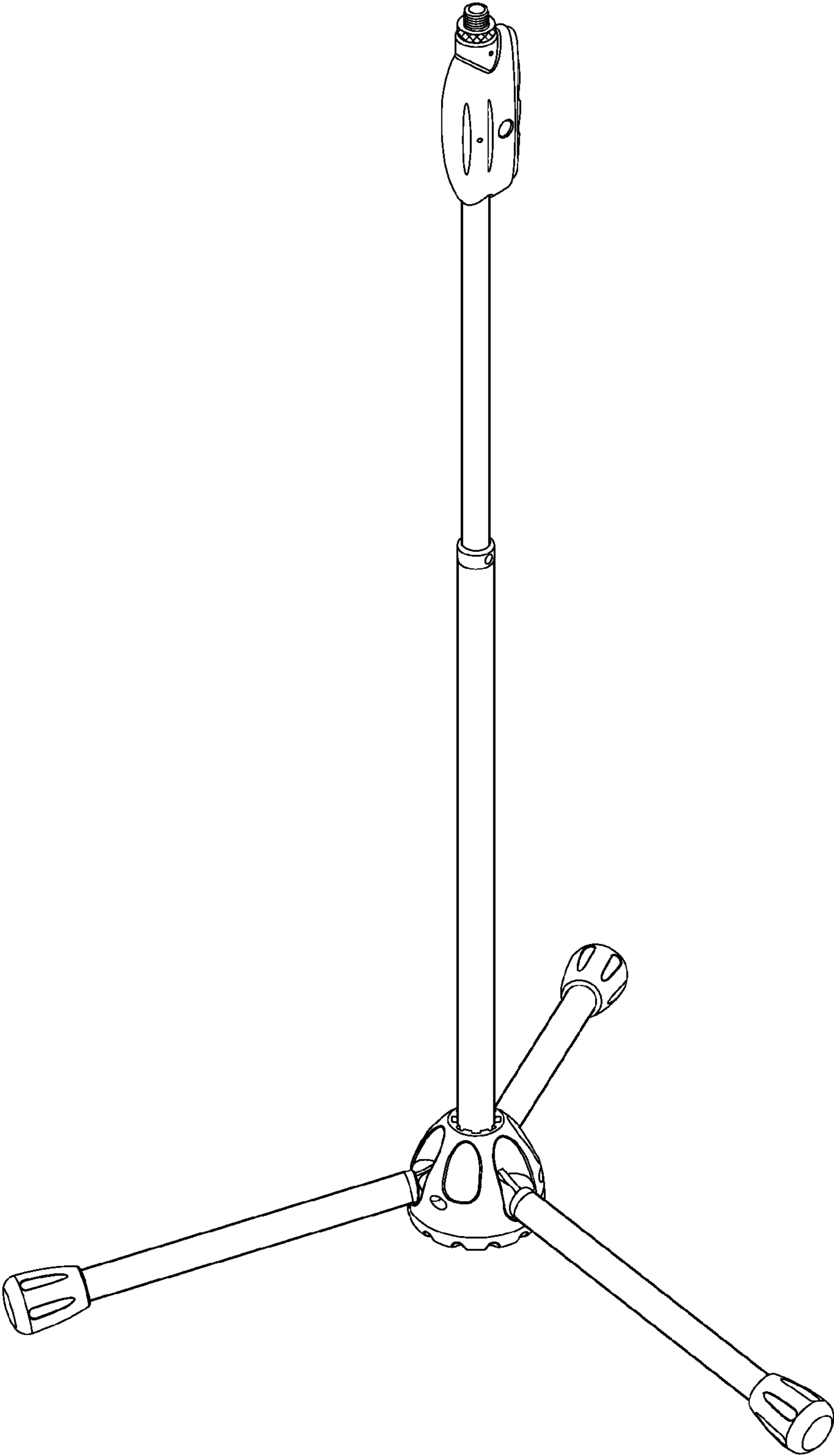


Fig. 8

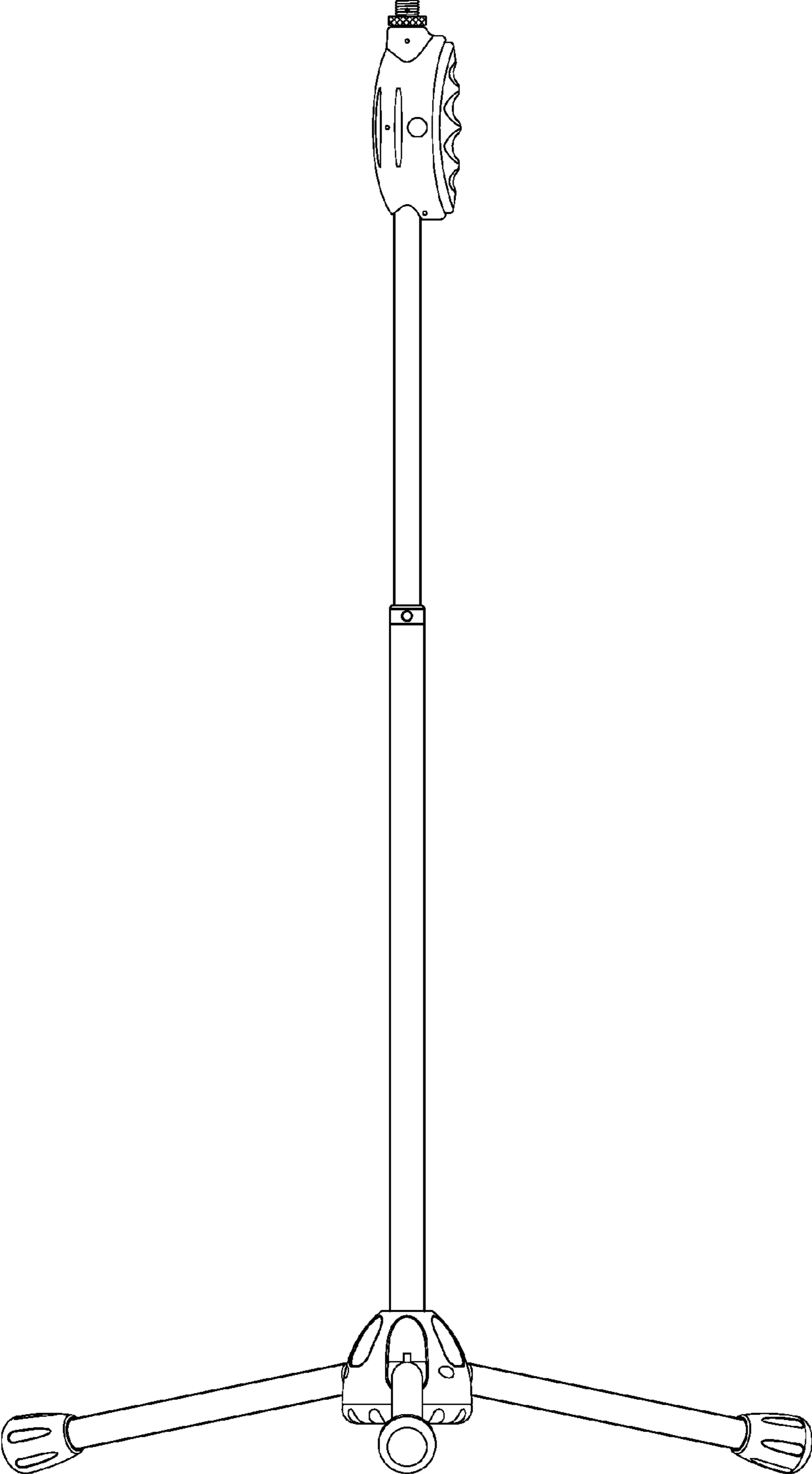


Fig. 9

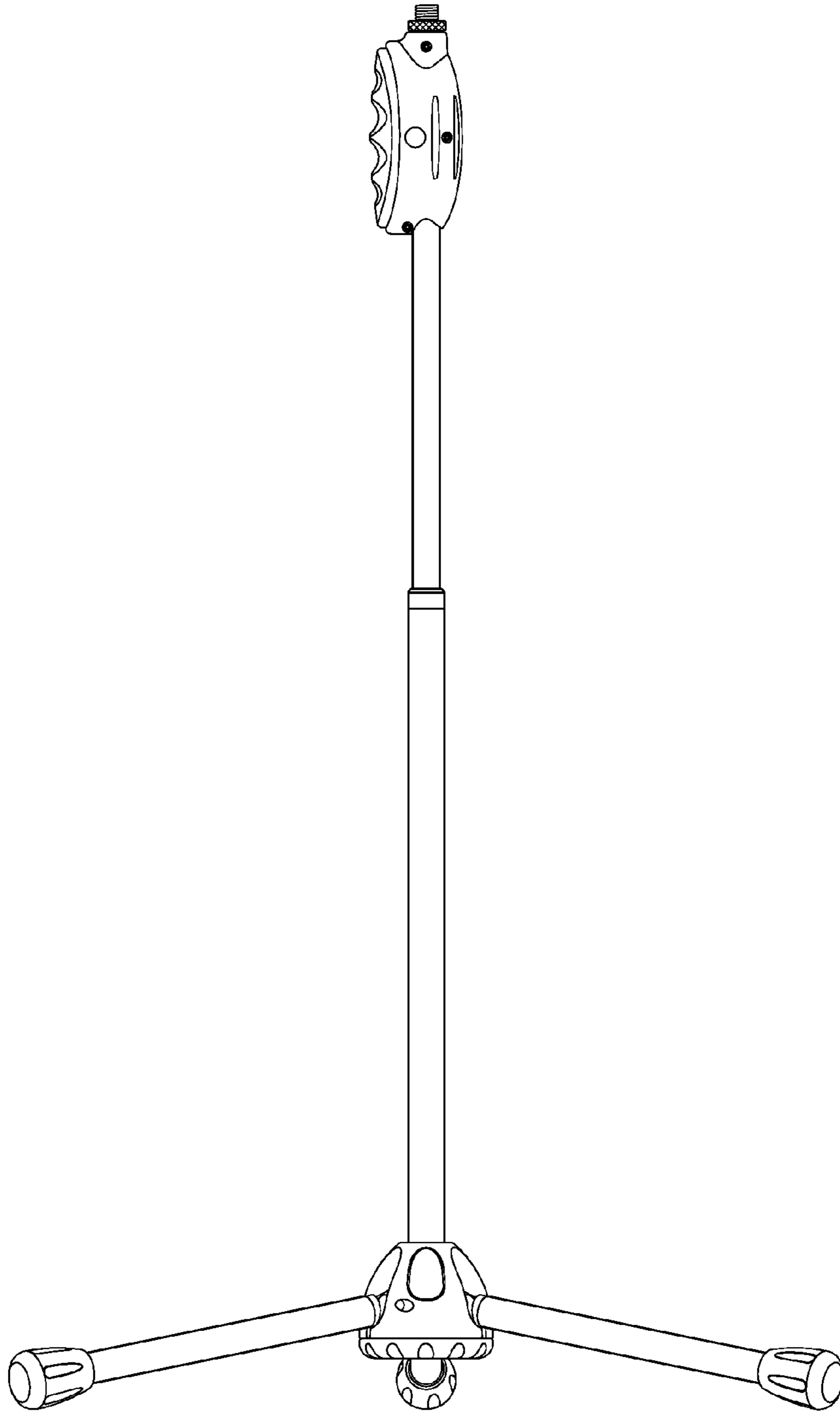


Fig. 10

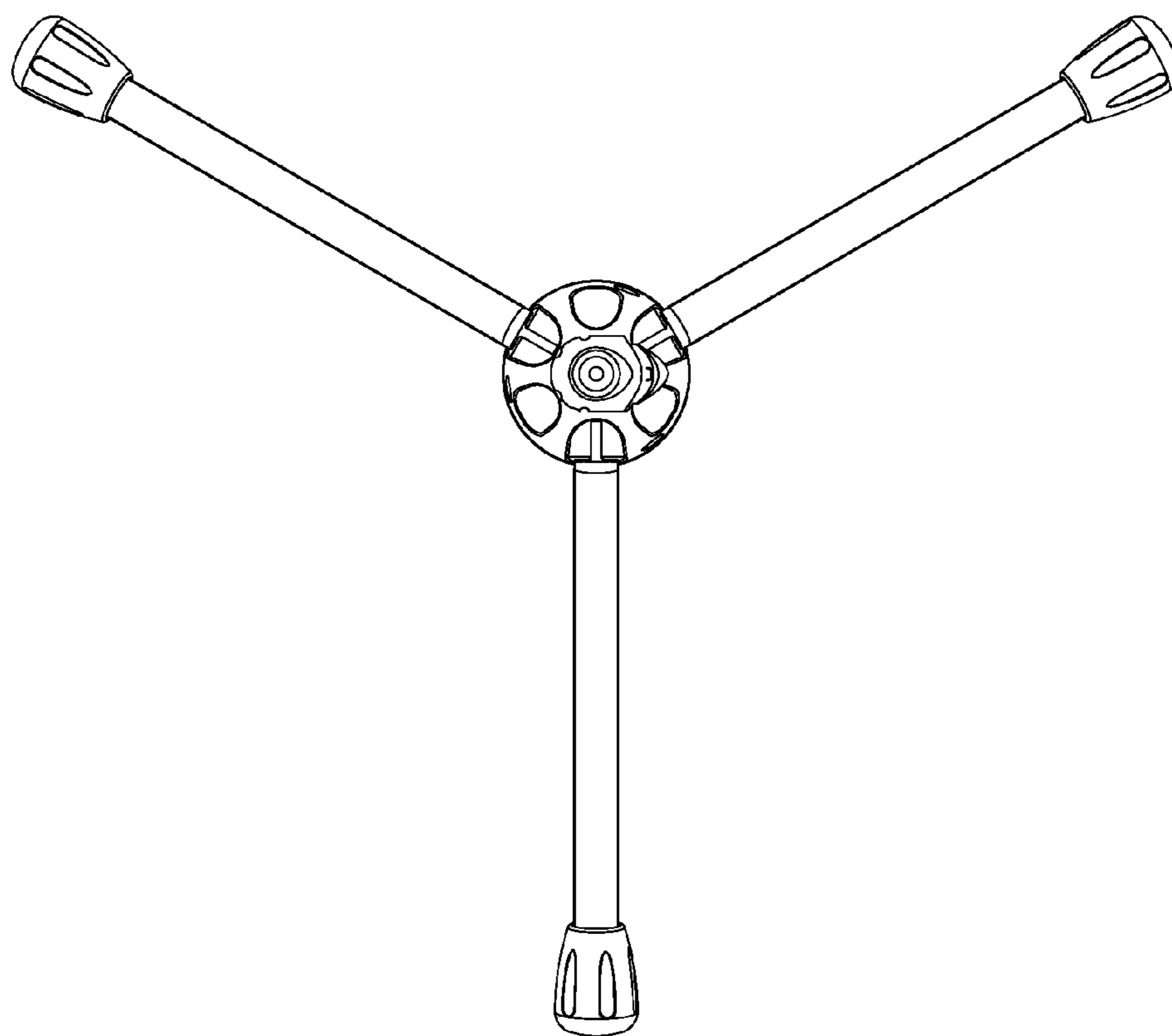


Fig. 11

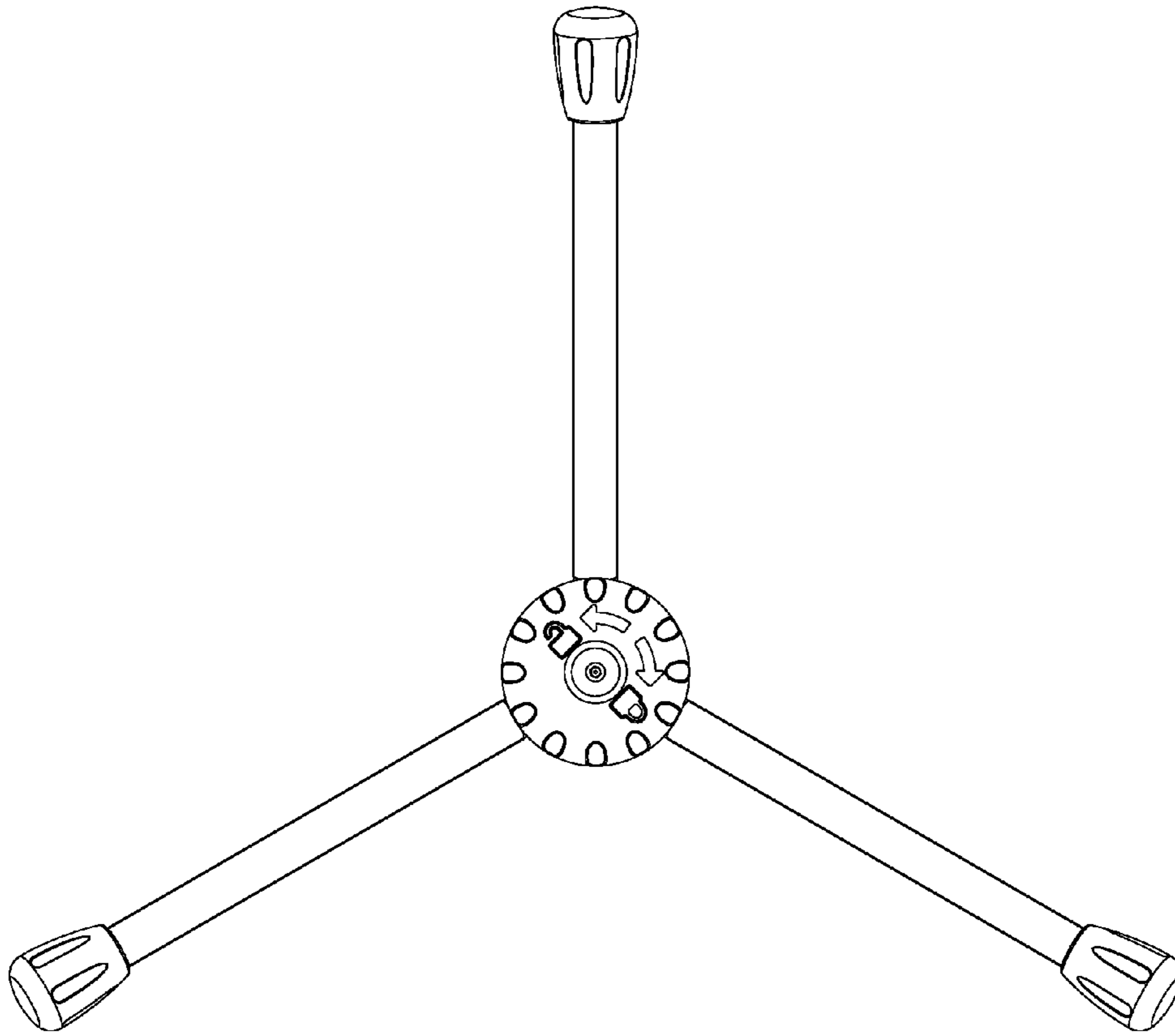


Fig. 12

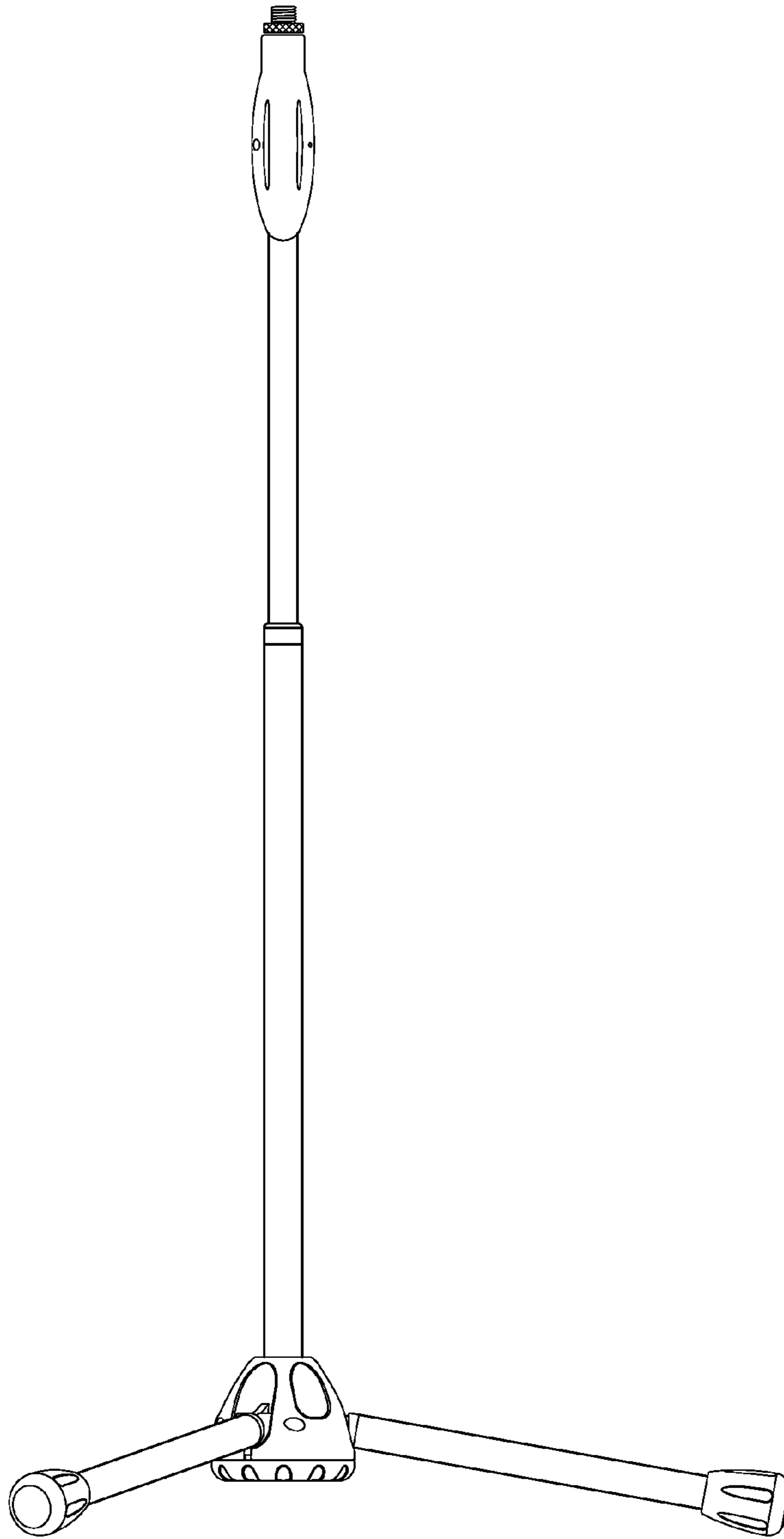


Fig. 13

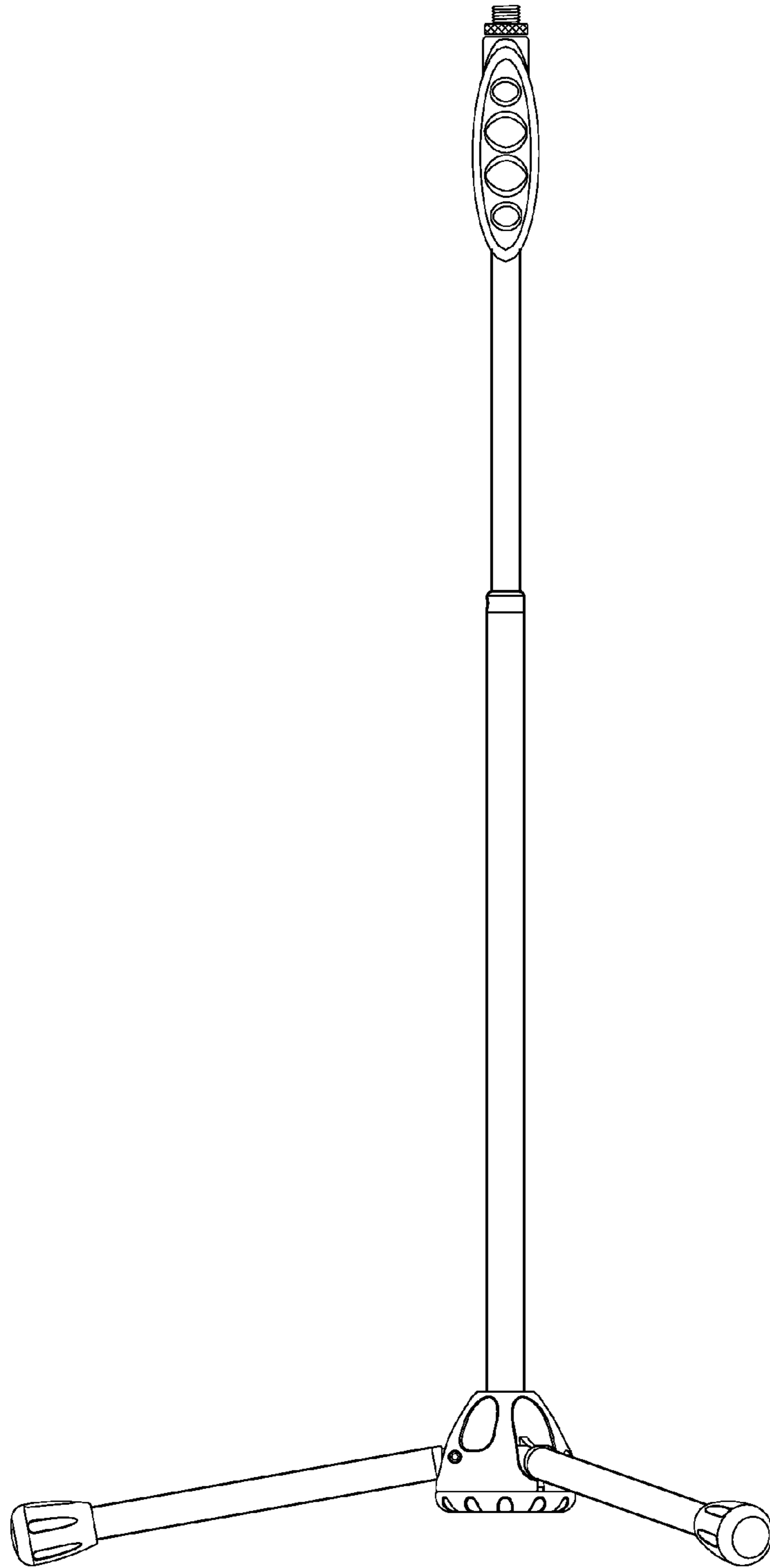


Fig. 14