



US00D687420S

(12) **United States Design Patent**
Trewartha et al.

(10) **Patent No.:** **US D687,420 S**

(45) **Date of Patent:** **** Aug. 6, 2013**

(54) **MICROPHONE**

(71) Applicant: **Freedman Electronics Pty. Ltd.,**
Silverwater (GB)

(72) Inventors: **Samuel Dean Trewartha, Silverwater**
(AU); **Lisa Gyecsek, Silverwater (AU);**
Peter Noel Cooper, Silverwater (AU)

(73) Assignee: **Freedman Electronics Pty. Ltd. (AU)**

(**) Term: **14 Years**

(21) Appl. No.: **29/440,324**

(22) Filed: **Dec. 20, 2012**

D569,842 S *	5/2008	Yang	D14/205
D586,791 S *	2/2009	Birger et al.	D14/223
D592,190 S *	5/2009	Birger	D14/223
D602,920 S	10/2009	Fleischer et al.	
D603,381 S	11/2009	Fleischer et al.	
D605,183 S	12/2009	Fleischer et al.	
D606,521 S *	12/2009	Birger	D14/223
D609,695 S *	2/2010	Cigliano et al.	D14/205
D619,998 S	7/2010	Birger	
D620,926 S	8/2010	Wai	
D645,849 S *	9/2011	Kim et al.	D14/223
8,054,336 B2	11/2011	Vanderwilt	
D650,773 S *	12/2011	Kim et al.	D14/223
D653,649 S	2/2012	Yang et al.	
D661,284 S *	6/2012	Brandis et al.	D14/223
D664,125 S *	7/2012	Koch et al.	D14/223
2004/0157581 A1	8/2004	Park et al.	
2006/0082655 A1	4/2006	Vanderwilt et al.	

* cited by examiner

Related U.S. Application Data

(62) Division of application No. 29/404,417, filed on Oct. 20, 2011, now Pat. No. Des. 676,428.

(51) **LOC (9) Cl.** **14-01**

(52) **U.S. Cl.**
USPC **D14/225**

(58) **Field of Classification Search**
USPC D14/137, 138, 155, 159, 167, 168,
D14/191, 194, 203.3, 206, 223-229, 242,
D14/431; 181/129, 130, 135; 379/430, 431,
379/420.03; 381/362, 364, 365, 375, 380,
381/381, 382; 455/95, 569.1
See application file for complete search history.

(56) **References Cited**

U.S. PATENT DOCUMENTS

D194,151 S	11/1962	Deschamps et al.
4,811,405 A	3/1989	Peiker
D313,802 S	1/1991	Peiker
4,991,220 A	2/1991	Wolf
6,768,804 B1	7/2004	Isvan

Primary Examiner — Cathron Brooks

Assistant Examiner — Katie Mroczka

(74) *Attorney, Agent, or Firm* — Saidman DesignLaw Group

(57) **CLAIM**

The ornamental design for a microphone, as shown and described.

DESCRIPTION

FIG. 1 is a left perspective view of a microphone showing our new design;

FIG. 2 is a front view thereof;

FIG. 3 is a rear view thereof;

FIG. 4 is a left side view thereof;

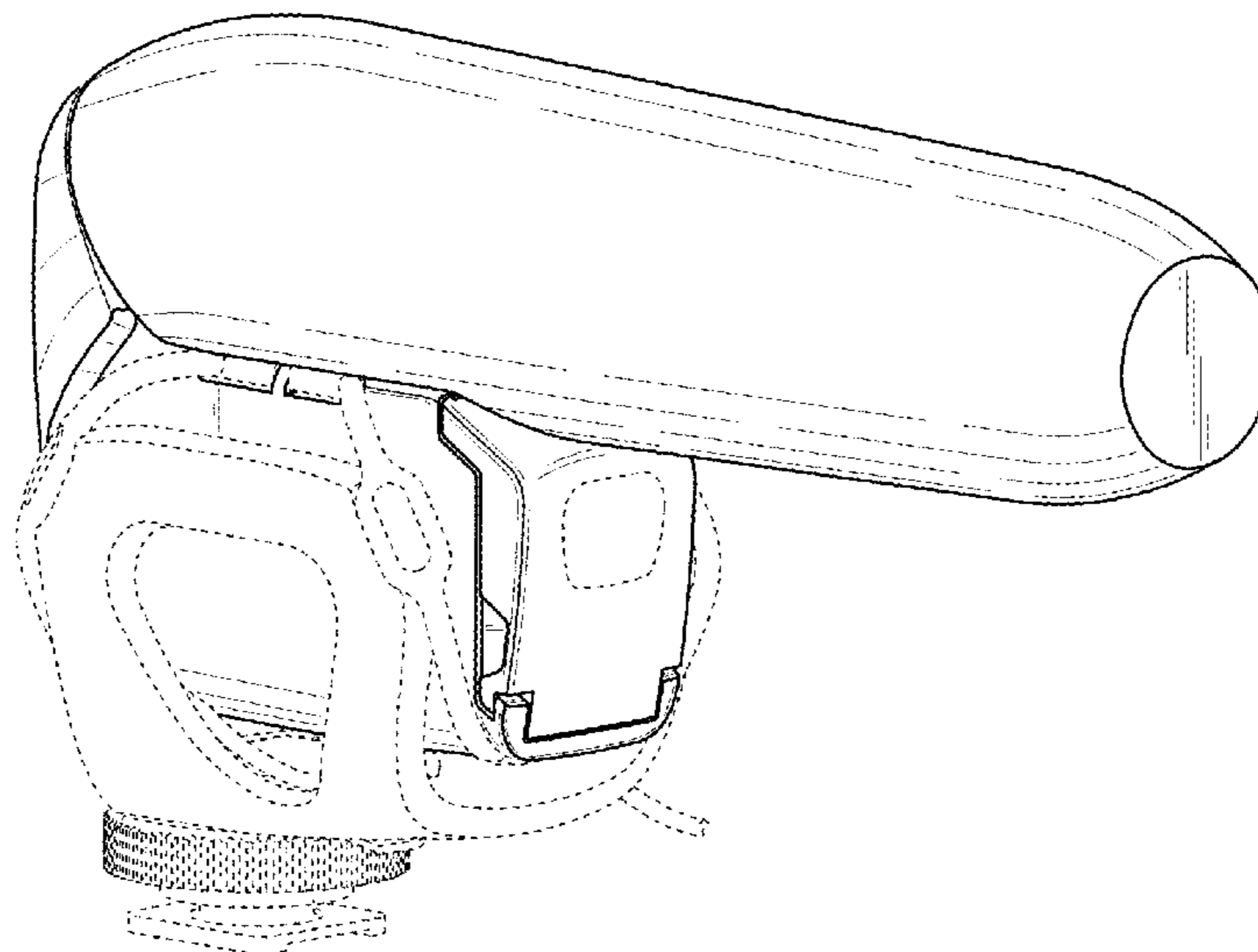
FIG. 5 is a right side view thereof;

FIG. 6 is a top view thereof; and,

FIG. 7 is a bottom view thereof.

The broken lines illustrate portions of the microphone and form no part of the claimed design.

1 Claim, 4 Drawing Sheets



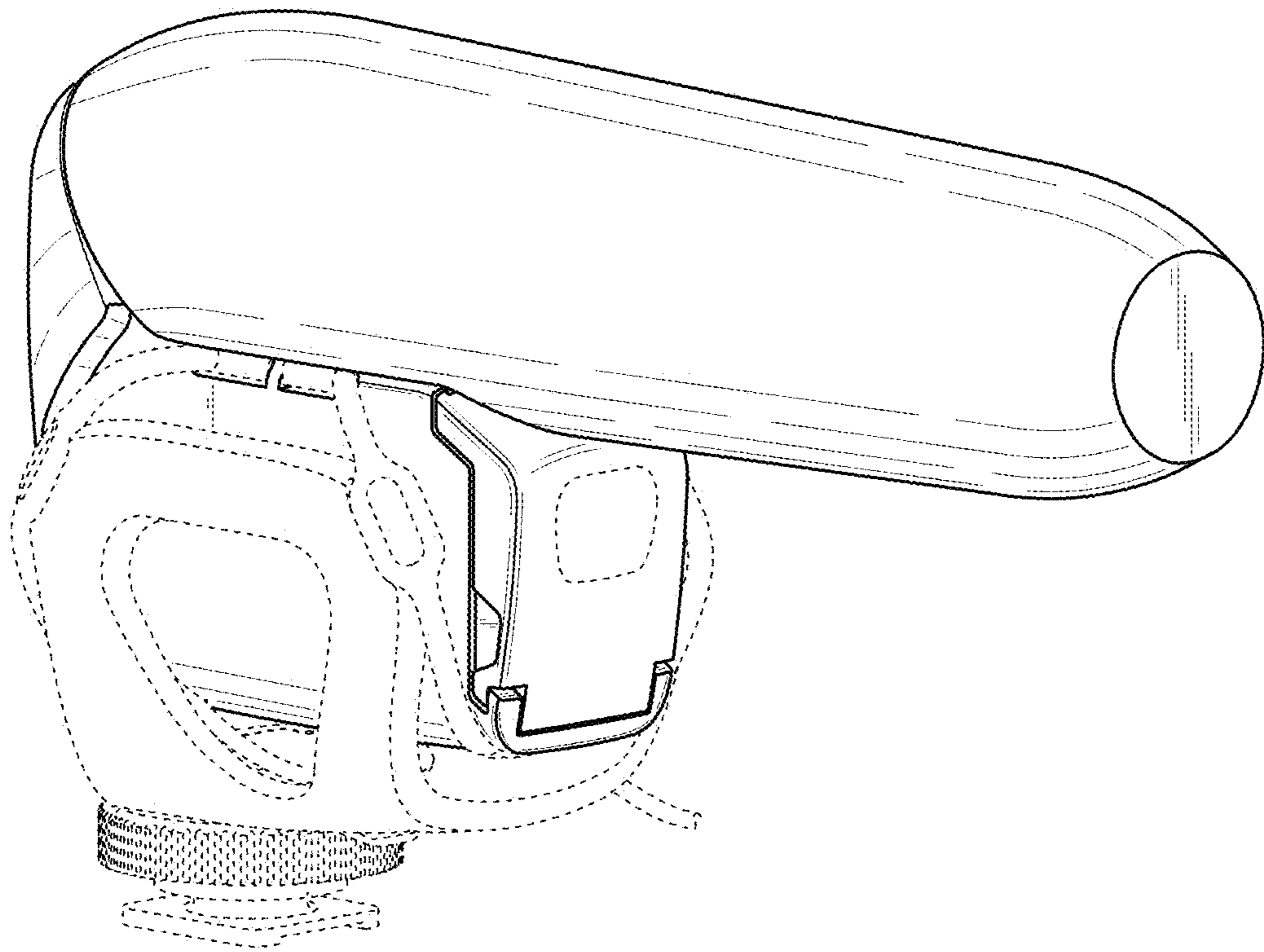


FIG. 1

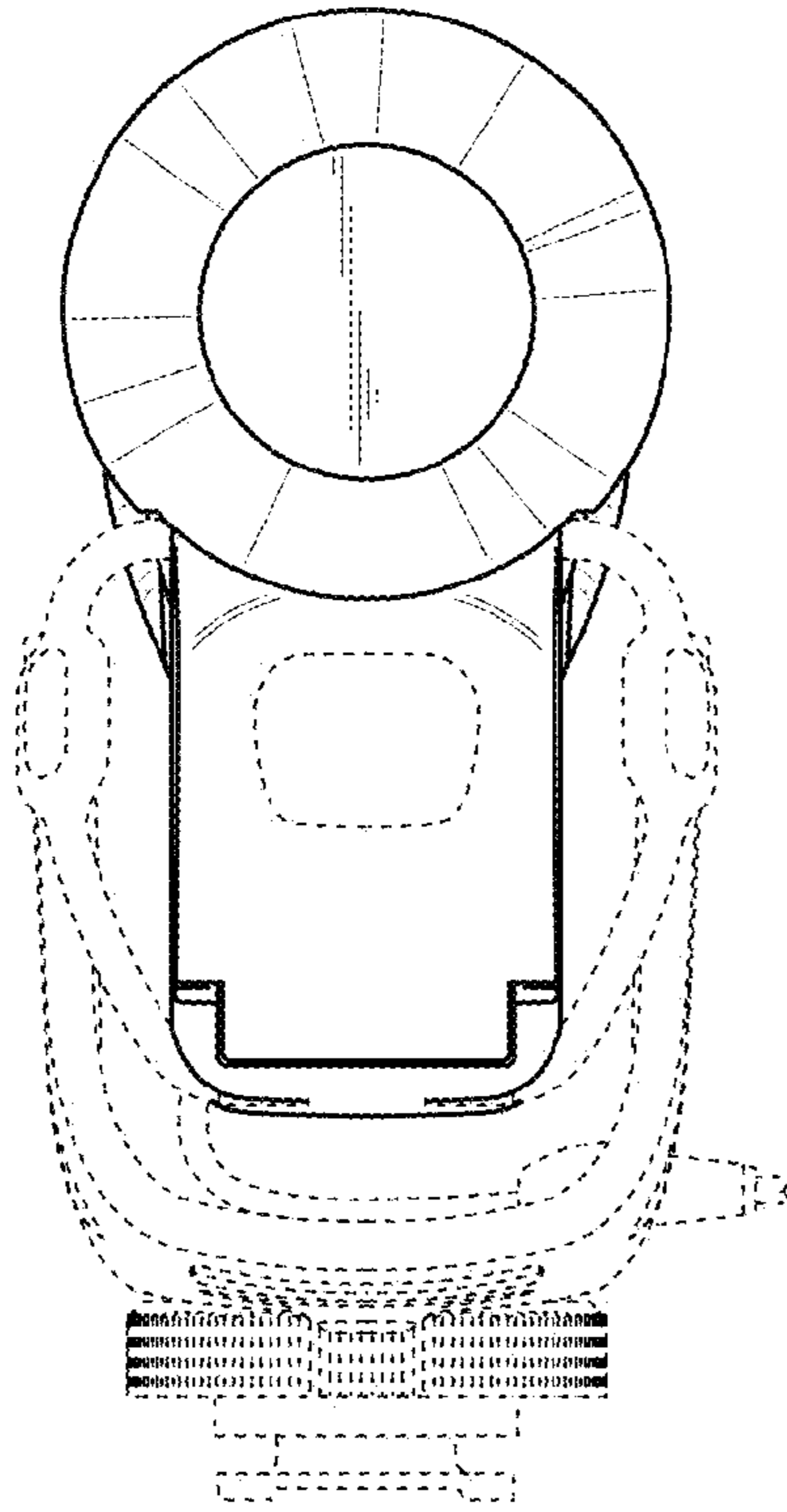


FIG. 2

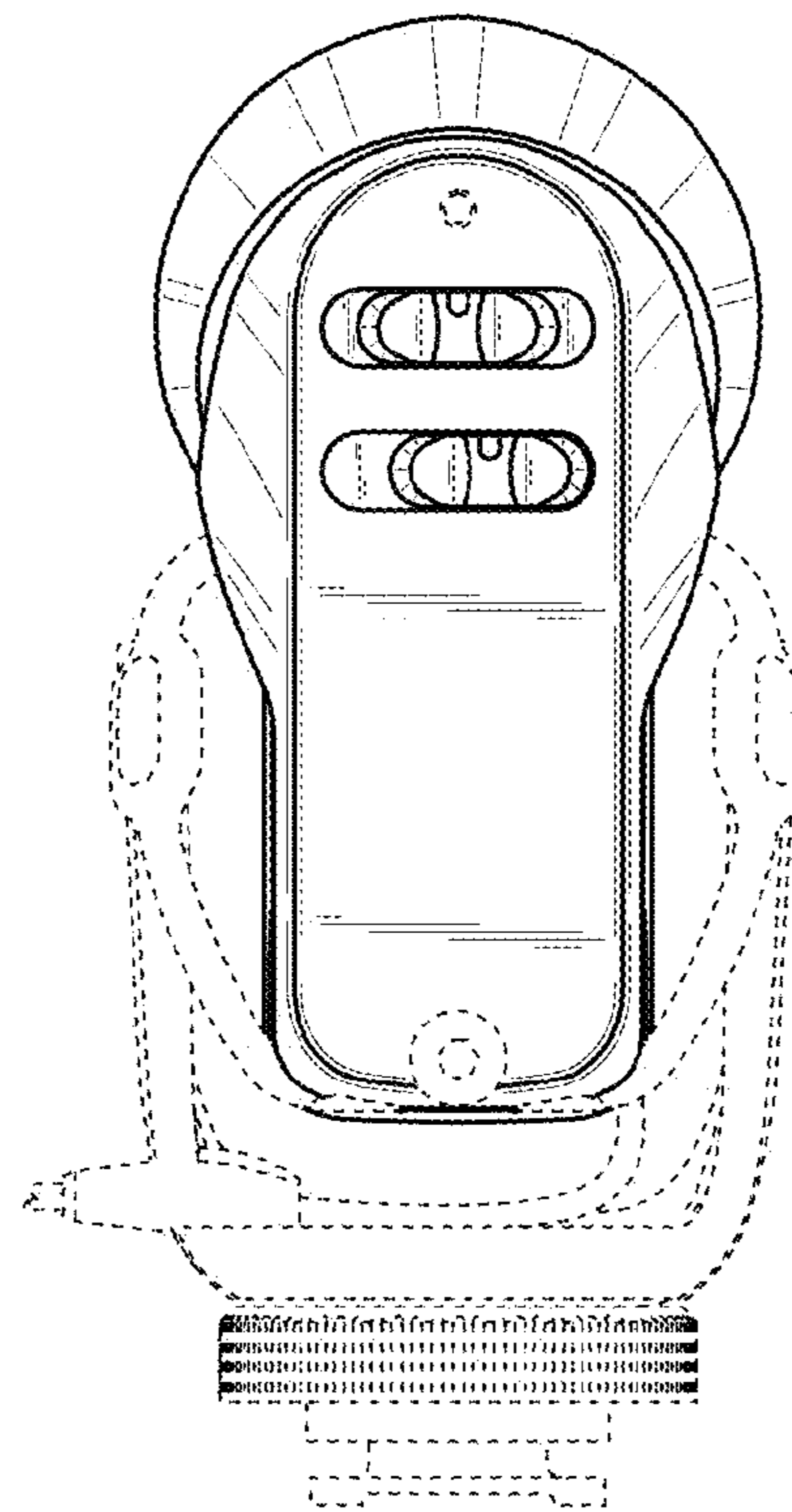


FIG. 3

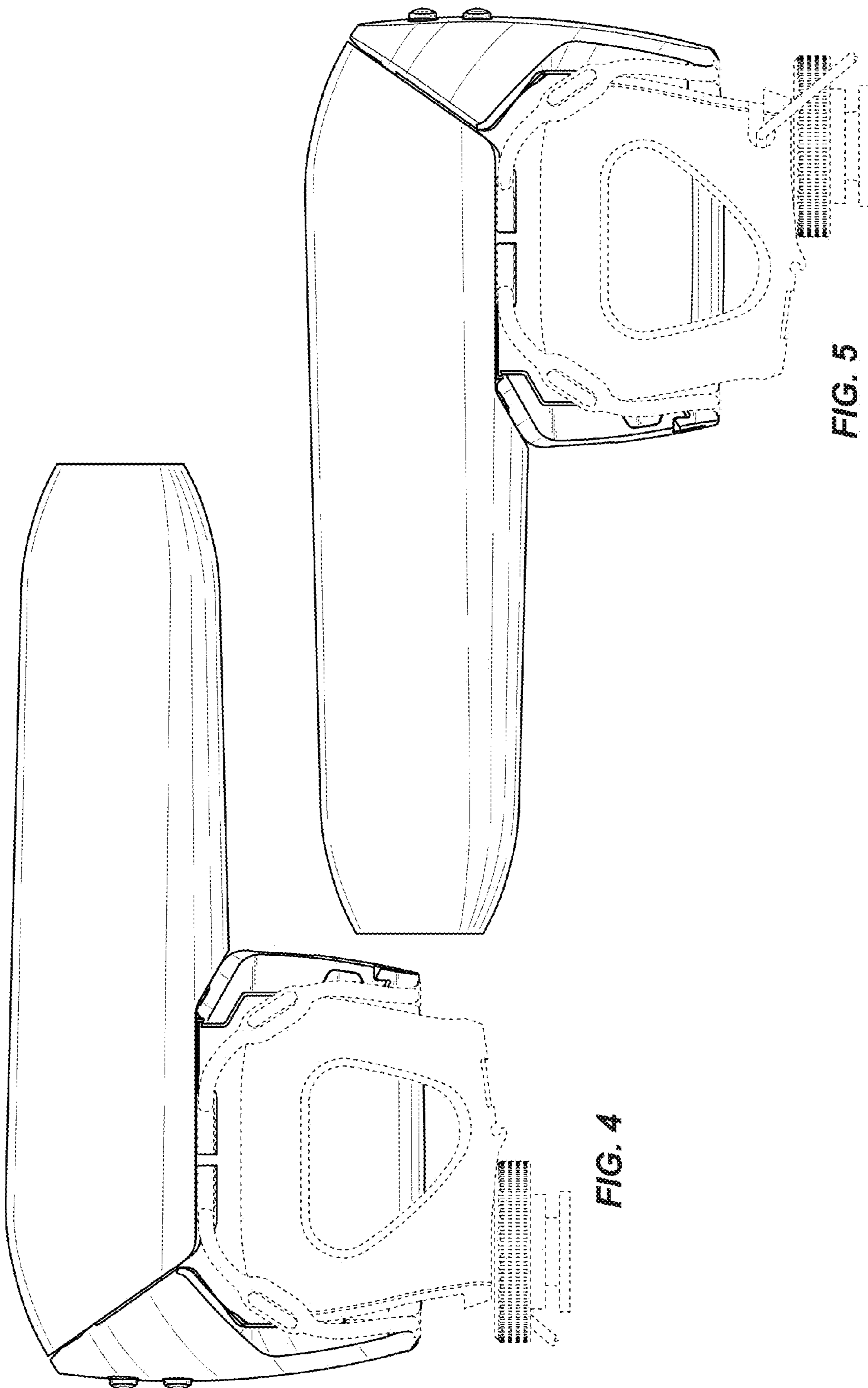


FIG. 4

FIG. 5

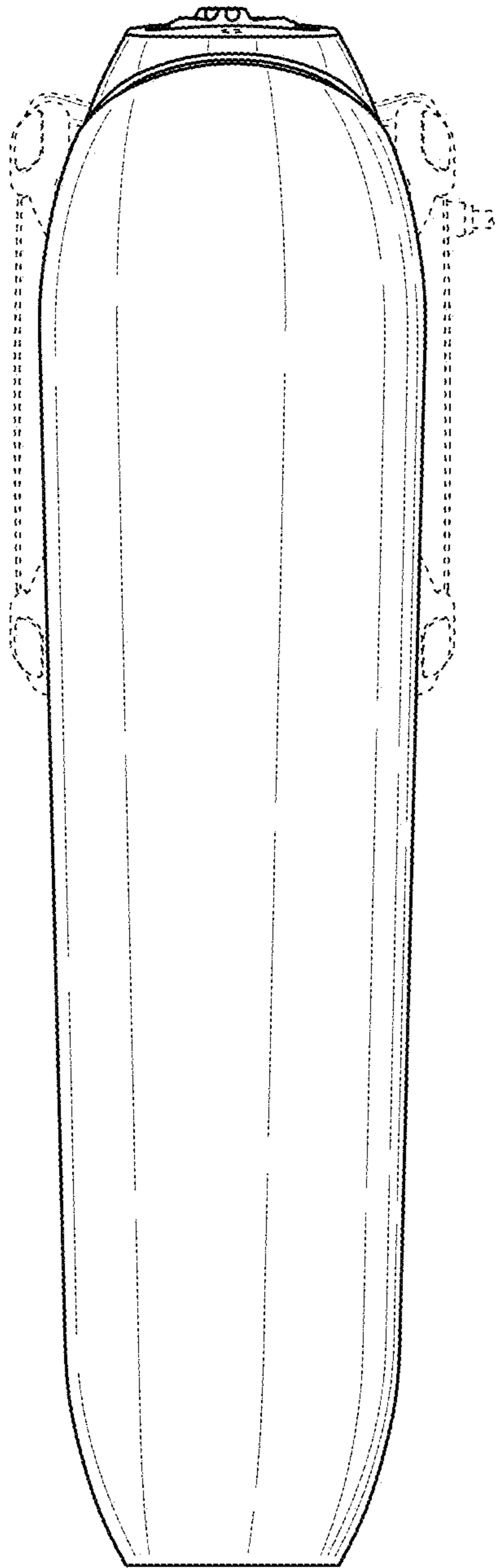


FIG. 6

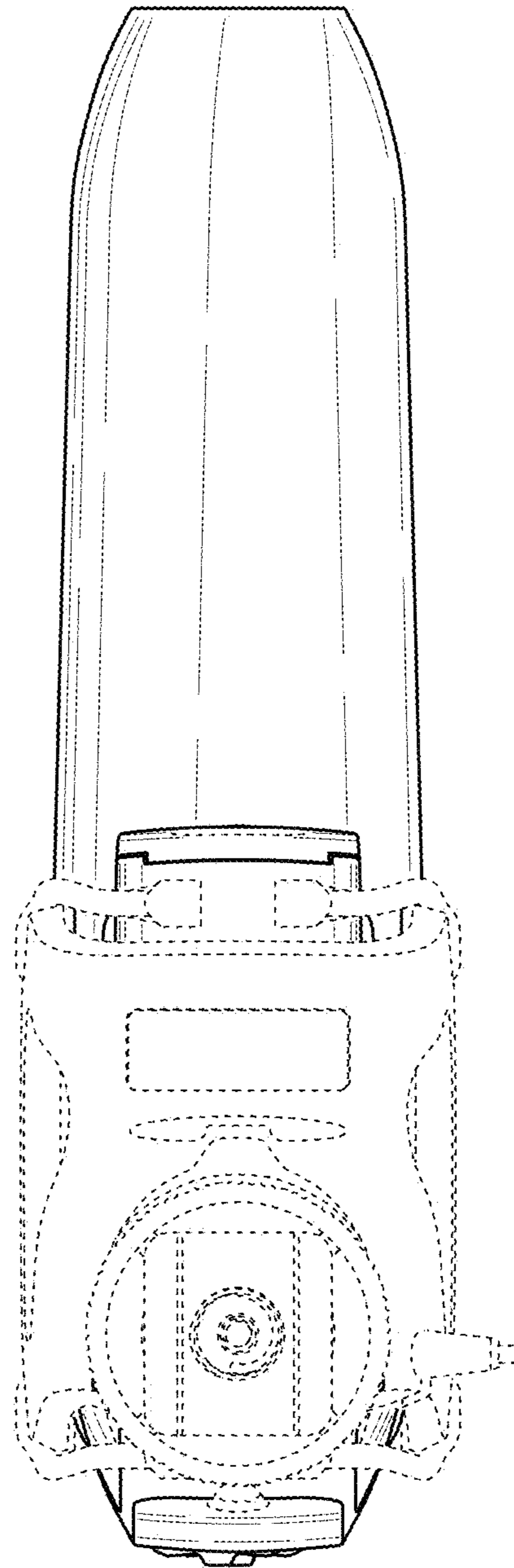


FIG. 7