



US00D687418S

(12) **United States Design Patent**
Godfrey

(10) **Patent No.:** **US D687,418 S**

(45) **Date of Patent:** **** Aug. 6, 2013**

(54) **EARBUD**

(71) Applicant: **ZAGG Intellectual Property Holding Co., Inc.**, Salt Lake City, UT (US)

(72) Inventor: **Ben Godfrey**, Farmington, UT (US)

(73) Assignee: **ZAGG Intellectual Property Holding Co., Inc.**, Salt Lake City, UT (US)

(**) Term: **14 Years**

(21) Appl. No.: **29/435,406**

(22) Filed: **Oct. 24, 2012**

(51) **LOC (9) Cl.** **14-01**

(52) **U.S. Cl.**
USPC **D14/223**

(58) **Field of Classification Search**
USPC D14/205, 206, 223; 181/129, 130,
181/135; 381/380, 381, 370; 379/430, 431,
379/420.04; 455/90.3, 575.1
See application file for complete search history.

(56) **References Cited**

U.S. PATENT DOCUMENTS

D278,234	S	*	4/1985	Saito	D14/205
D353,379	S	*	12/1994	Nakamura et al.	D14/223
5,420,935	A	*	5/1995	Shinohara et al.	381/370
6,122,369	A	*	9/2000	Hwang et al.	379/420.04
6,574,345	B1	*	6/2003	Huang	381/380
6,731,772	B1	*	5/2004	Byun	381/380
D514,551	S	*	2/2006	Lee et al.	D14/223
D523,846	S	*	6/2006	Lee	D14/205
D533,868	S	*	12/2006	Koizumi	D14/223
D557,689	S	*	12/2007	Huang	D14/223
D566,687	S	*	4/2008	Duarte et al.	D14/205
D586,332	S	*	2/2009	Ewert et al.	D14/223

D587,249	S	*	2/2009	Densho	D14/223
D641,738	S	*	7/2011	Perez	D14/223
8,077,898	B2	*	12/2011	Huang	381/345
D656,492	S	*	3/2012	Huang	D14/223
D662,495	S	*	6/2012	Andre et al.	D14/223
D670,274	S	*	11/2012	Katsumata et al.	D14/223
D674,781	S	*	1/2013	Sakata	D14/223
D676,427	S	*	2/2013	Yang	D14/223
D681,015	S	*	4/2013	Akana et al.	D14/223
D682,257	S	*	5/2013	Zheng et al.	D14/223

* cited by examiner

Primary Examiner — Paula Greene

(74) *Attorney, Agent, or Firm* — Durham Jones & Pinegar Intellectual Property Law Group

(57) **CLAIM**

The ornamental design for an earbud, as shown and described.

DESCRIPTION

FIG. 1 is a front perspective view of an earbud showing my new design;

FIG. 2 is a rear perspective view of the earbud shown in FIG. 1;

FIG. 3 is a rear view of earbud shown in FIG. 1;

FIG. 4 is a first side view of the earbud shown in FIG. 1;

FIG. 5 is a second side view of the earbud shown in FIG. 1;

FIG. 6 is a front view of the earbud shown in FIG. 1;

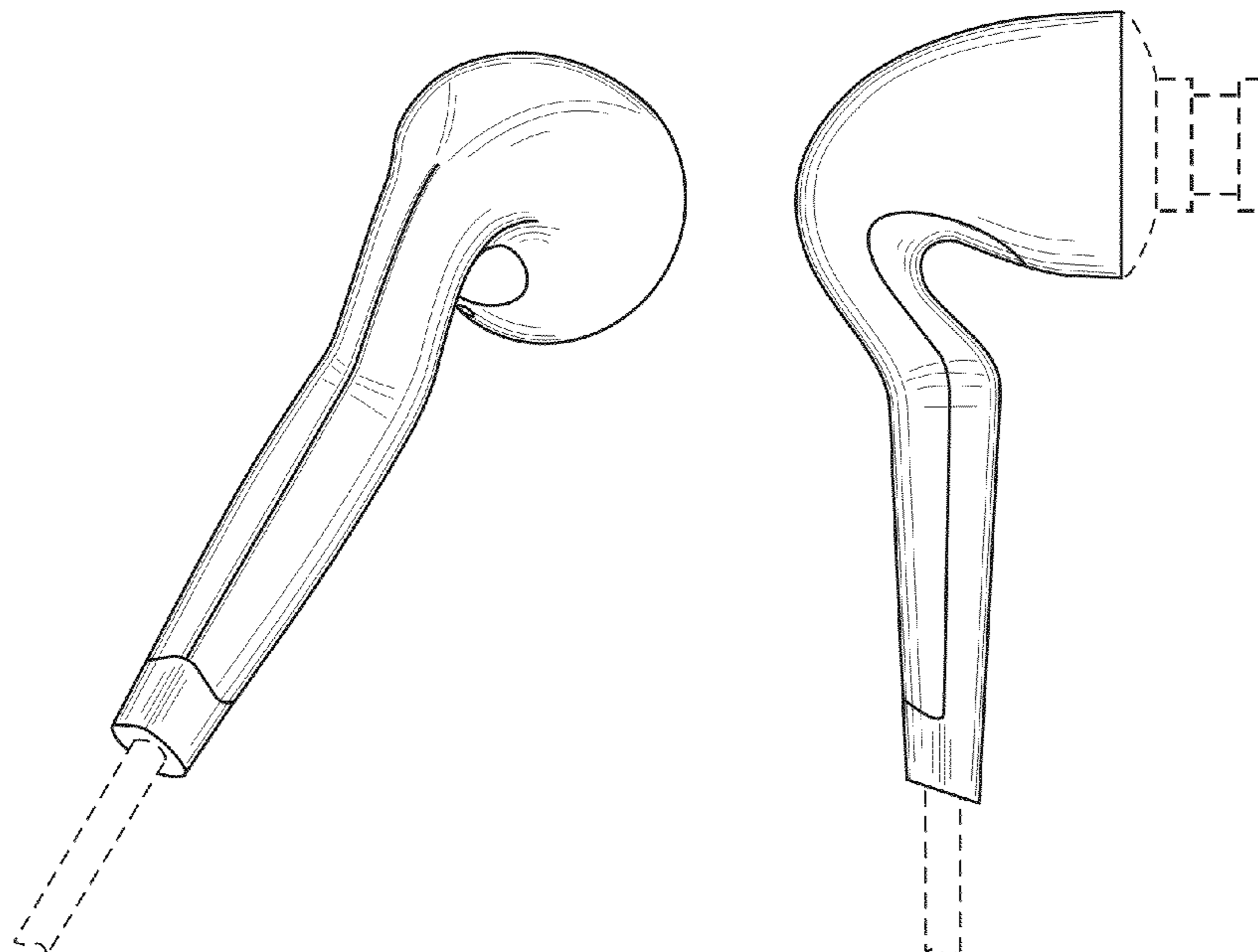
FIG. 7 is a top view of the earbud shown in FIG. 1;

FIG. 8 is a bottom view of the earbud shown in FIG. 1; and,

FIG. 9 is a front view of an earbud shown in FIG. 1.

Broken lines are used in the drawings to illustrate environment. The features illustrated in broken lines form no part of the claimed design.

1 Claim, 3 Drawing Sheets



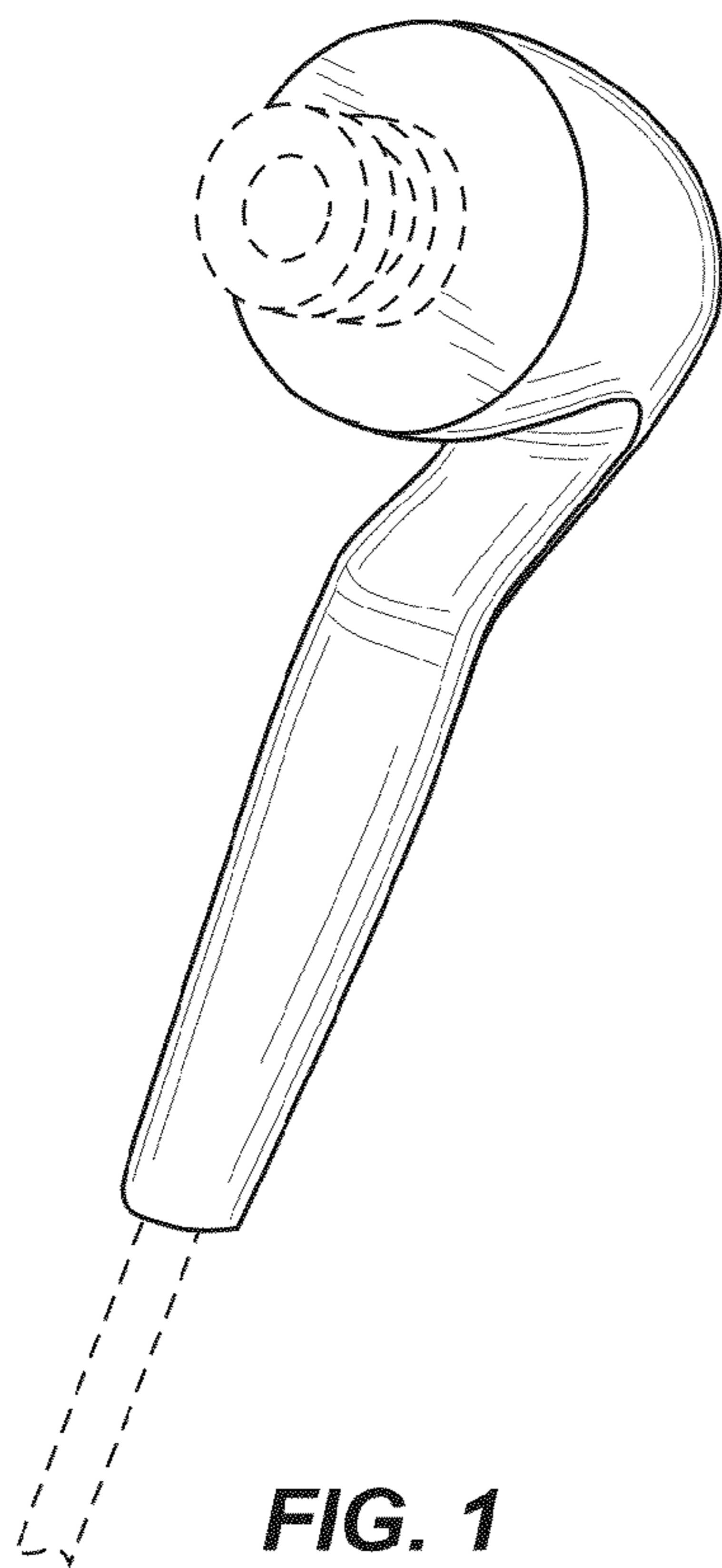


FIG. 1

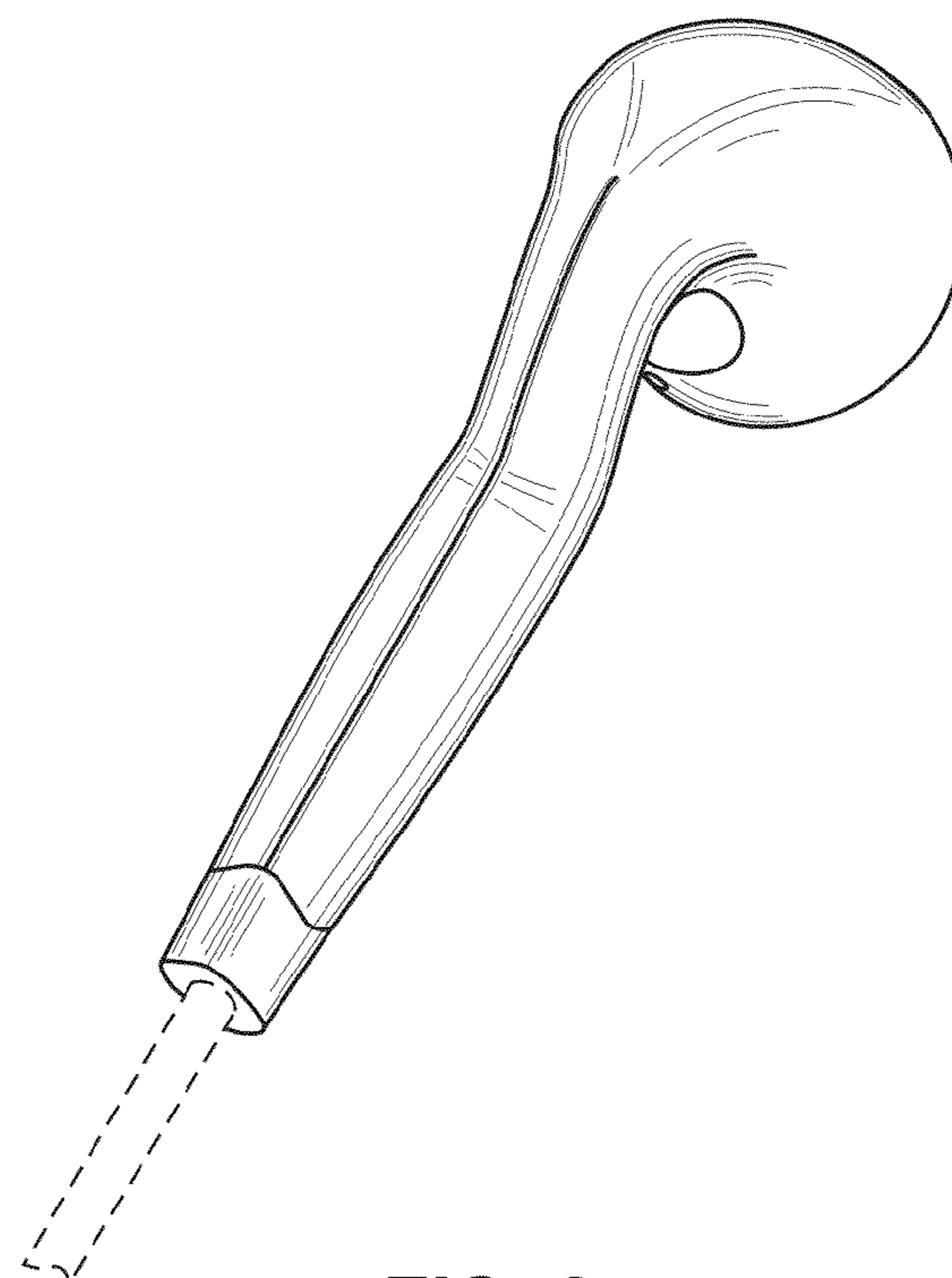


FIG. 2

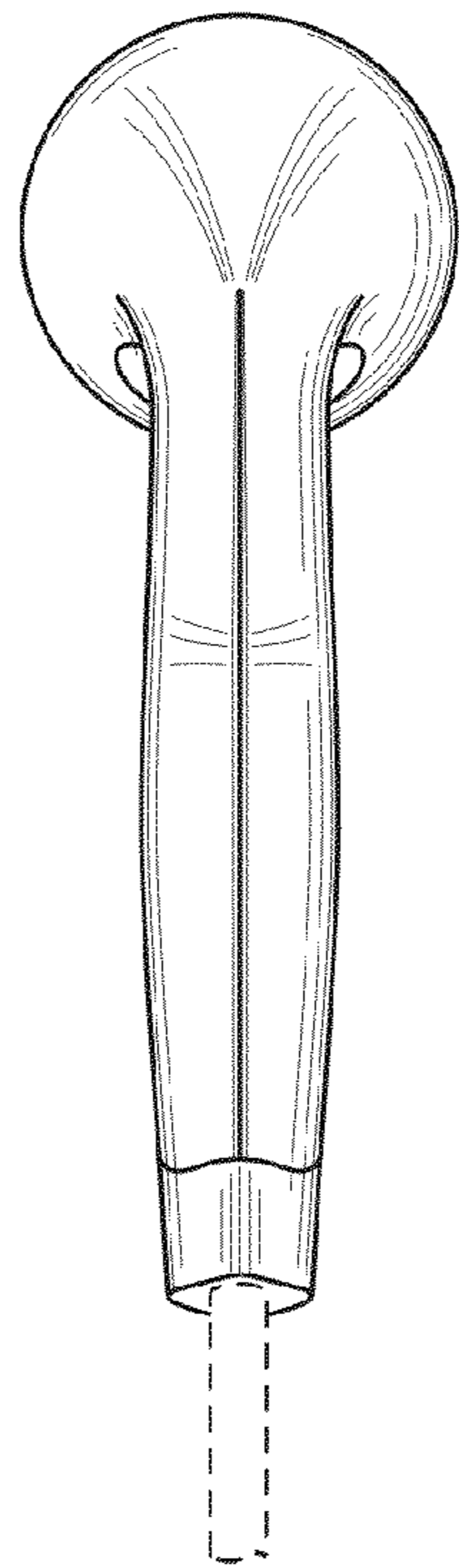


FIG. 3

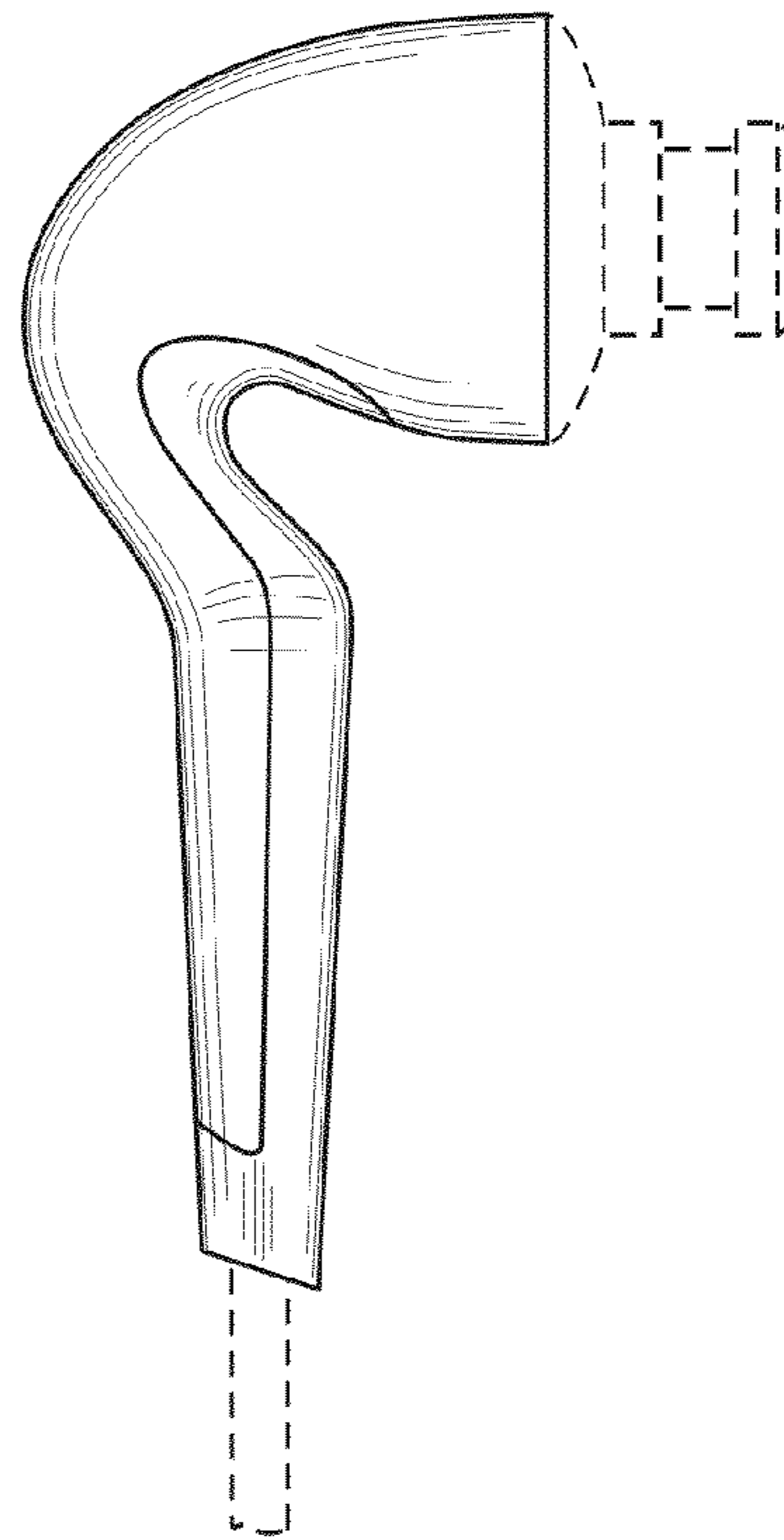


FIG. 4

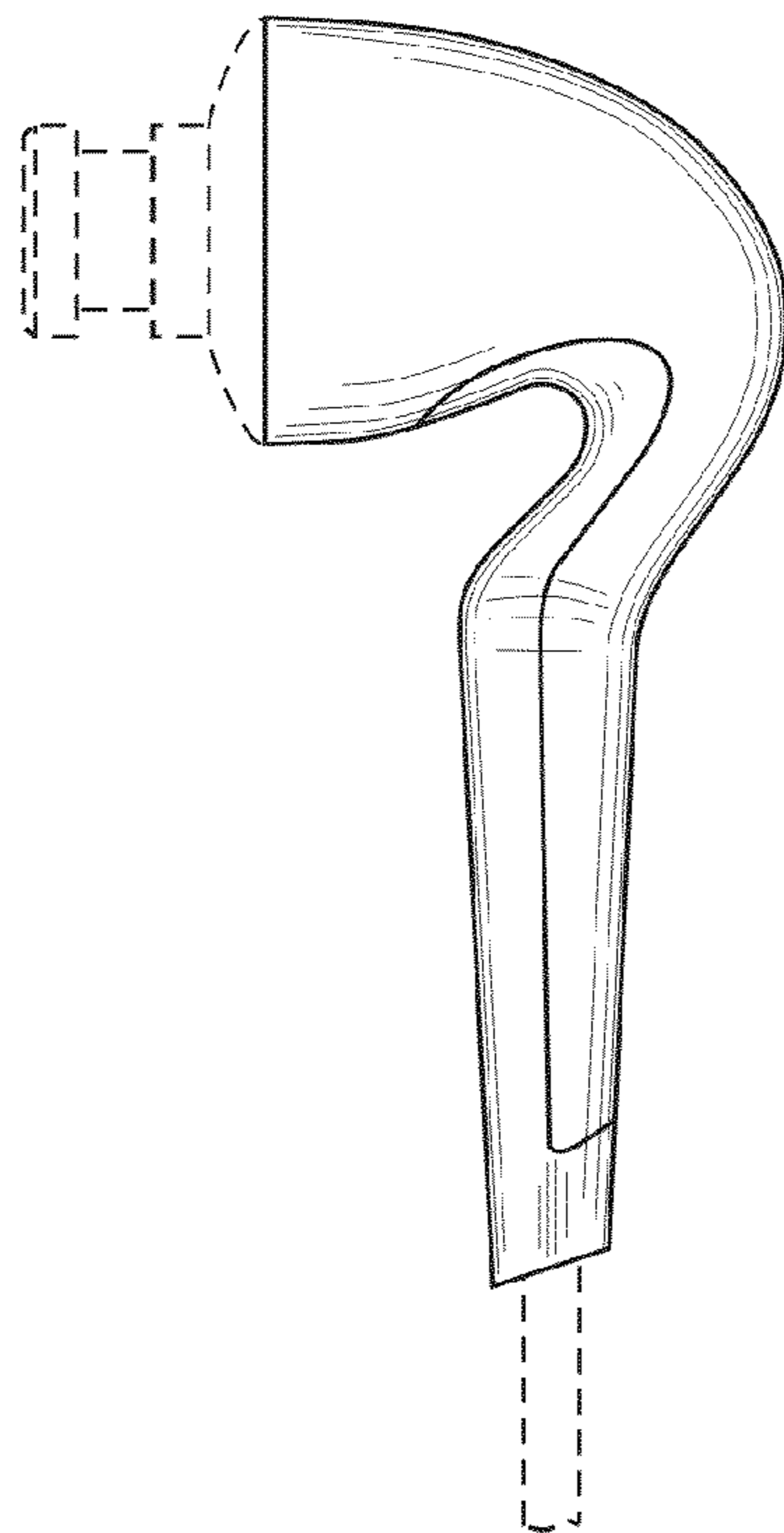


FIG. 5

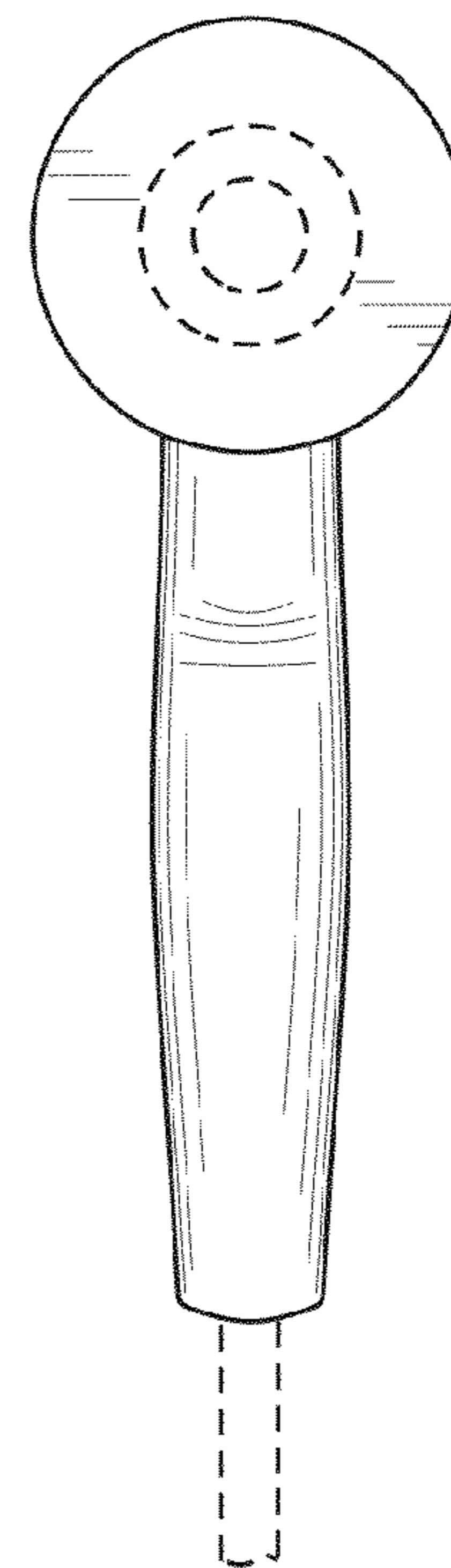


FIG. 6

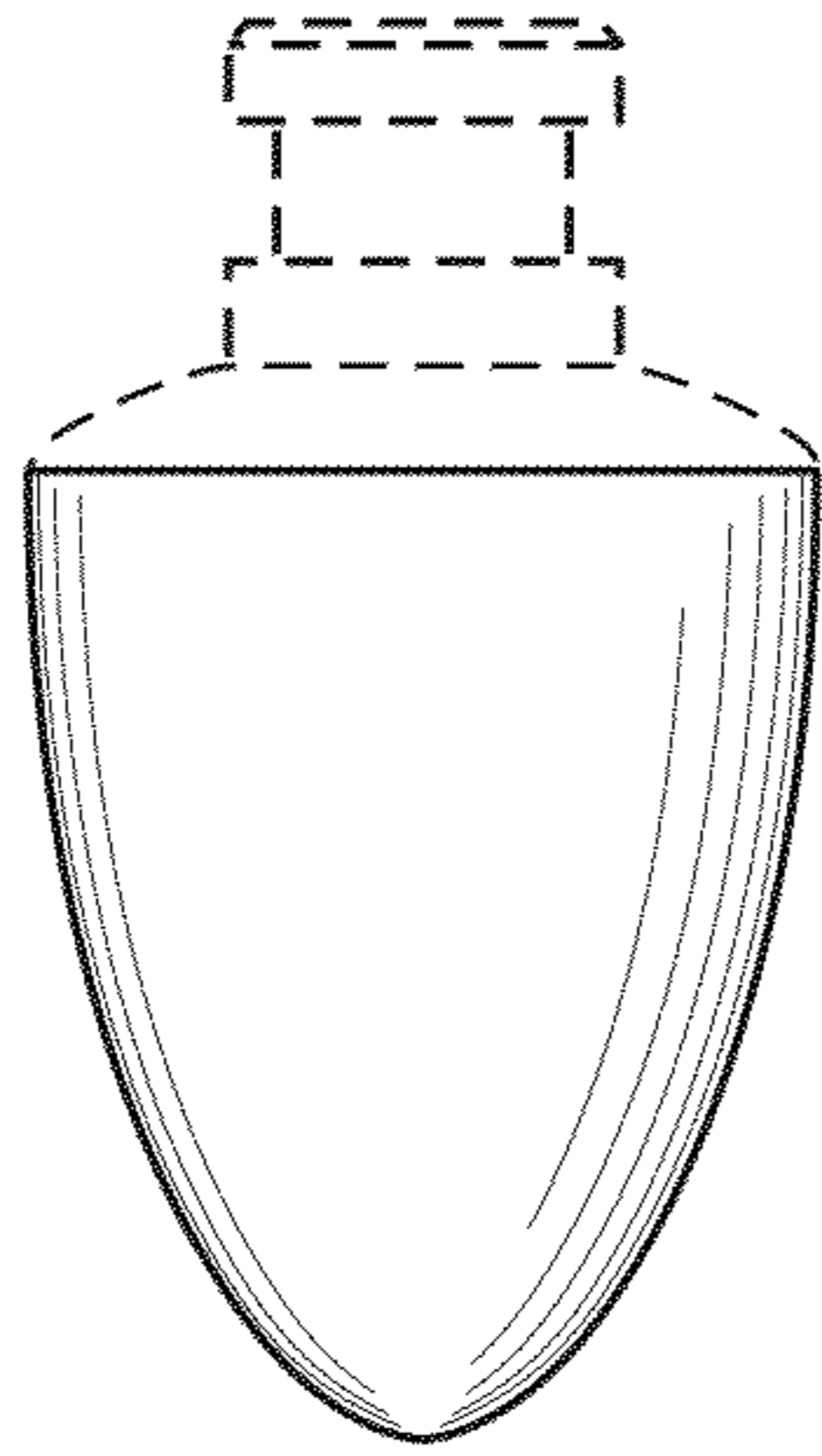


FIG. 7

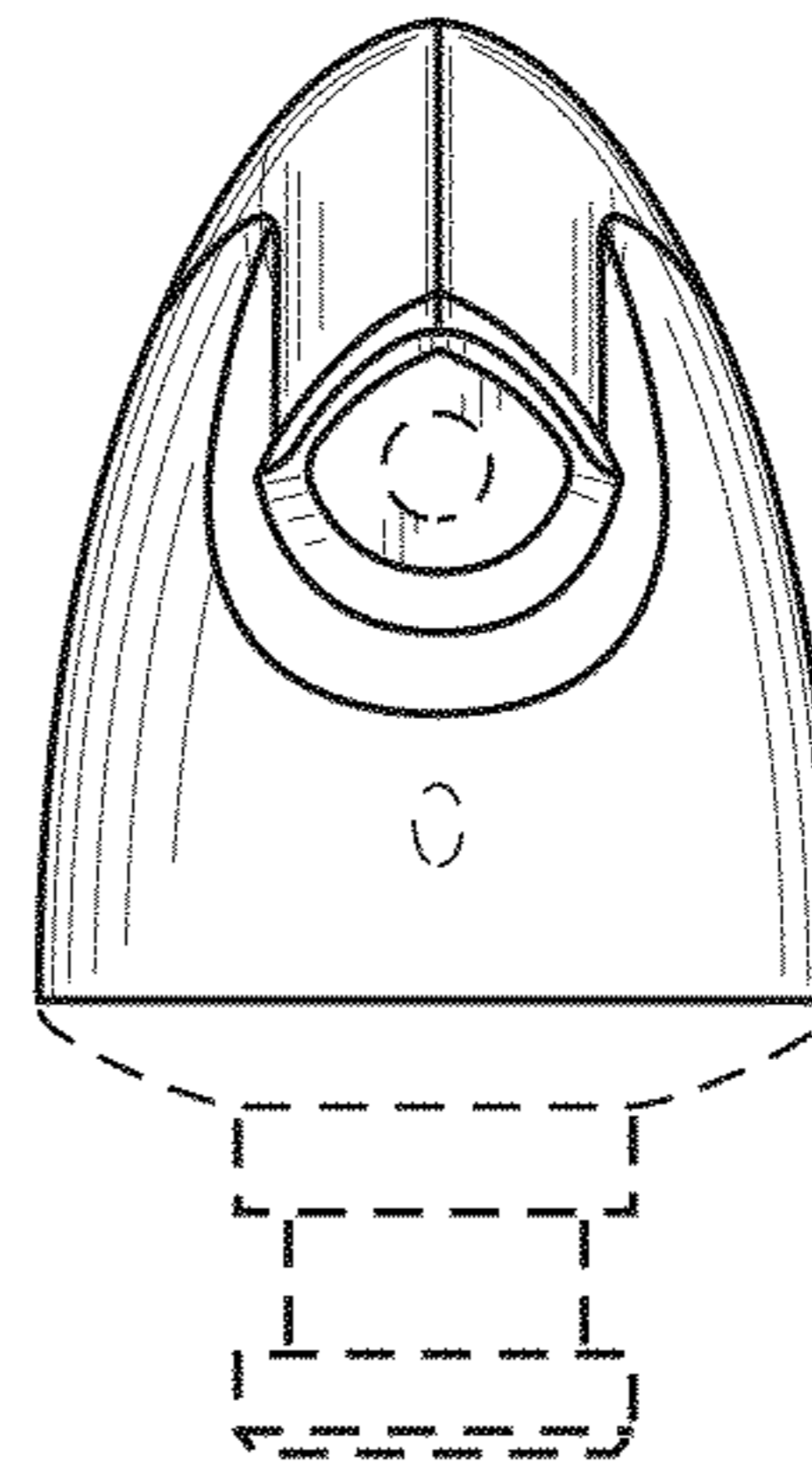


FIG. 8

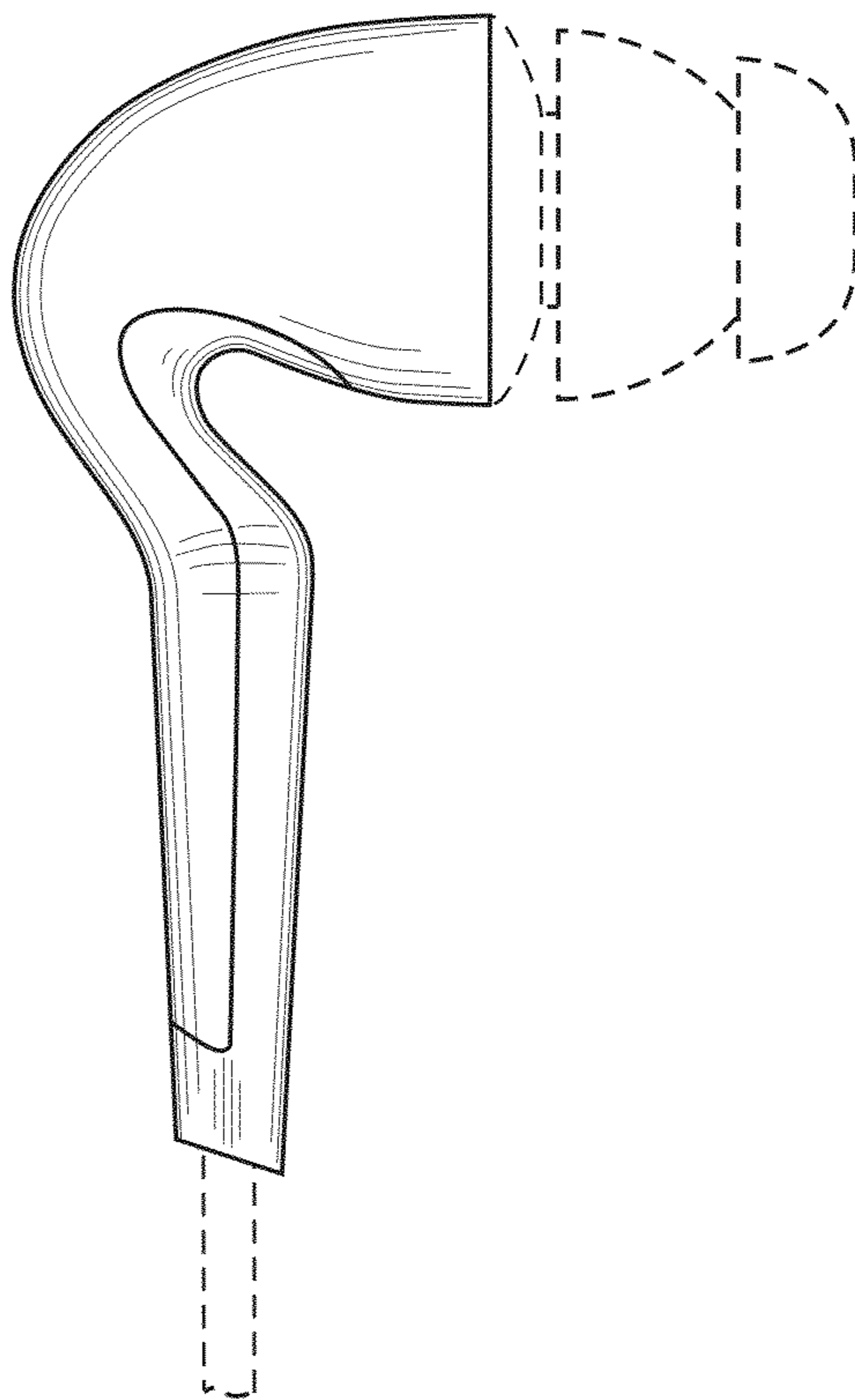


FIG. 9