



US00D687413S

(12) **United States Design Patent**
Yoshiizumi

(10) **Patent No.:** **US D687,413 S**
(45) **Date of Patent:** **** Aug. 6, 2013**

(54) **SPEAKER**

(75) Inventor: **Satoshi Yoshiizumi**, Hamamatsu (JP)

(73) Assignee: **Yamaha Corporation**, Shizuoka (JP)

(**) Term: **14 Years**

(21) Appl. No.: **29/430,834**

(22) Filed: **Aug. 30, 2012**

(51) **LOC (9) Cl.** **14-03**

(52) **U.S. Cl.**
USPC **D14/214**

(58) **Field of Classification Search**

USPC D14/168, 172, 194–196, 204, 207,
D14/209.1, 210–216, 221, 222; 181/143,
181/144, 147, 148, 150, 153, 157, 198, 199;
381/300–303, 306, 332, 333, 336, 345,
381/361–364, 386–388

See application file for complete search history.

(56) **References Cited**

U.S. PATENT DOCUMENTS

D439,237 S * 3/2001 Felix et al. D14/214
D449,291 S * 10/2001 Oikawa D14/214
D615,963 S * 5/2010 Cho et al. D14/214
D655,275 S * 3/2012 Won et al. D14/214

FOREIGN PATENT DOCUMENTS

JP D1276321 A 7/2006
JP D1317610 S 12/2007

* cited by examiner

Primary Examiner — Keli L Hill

(74) *Attorney, Agent, or Firm* — Sughrue Mion, PLLC

(57) **CLAIM**

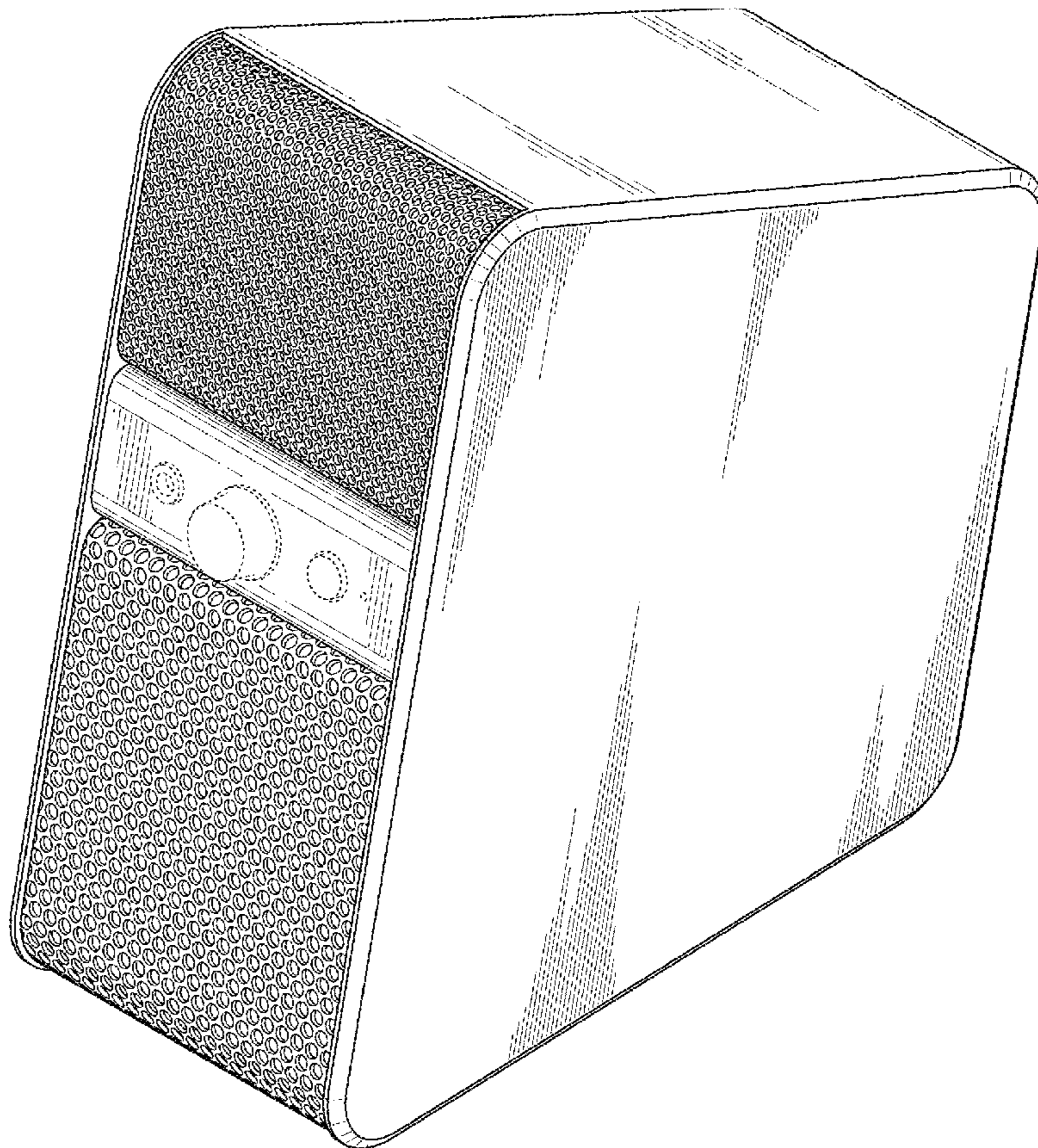
The ornamental design for a speaker, as shown and described.

DESCRIPTION

FIG. 1 is a perspective view of the front, top and right side of a speaker showing my new design; FIG. 2 is a front view thereof; FIG. 3 is a rear view thereof; FIG. 4 is a left side view thereof; FIG. 5 is a right side view thereof; FIG. 6 is a top plan view thereof; FIG. 7 is a bottom view thereof; and, FIG. 8 is a cross sectional view at 8-8 shown in FIG. 2.

The broken line showing of the speaker is included for the purpose of illustrating portions of the speaker and forms no part of the claimed design.

1 Claim, 6 Drawing Sheets



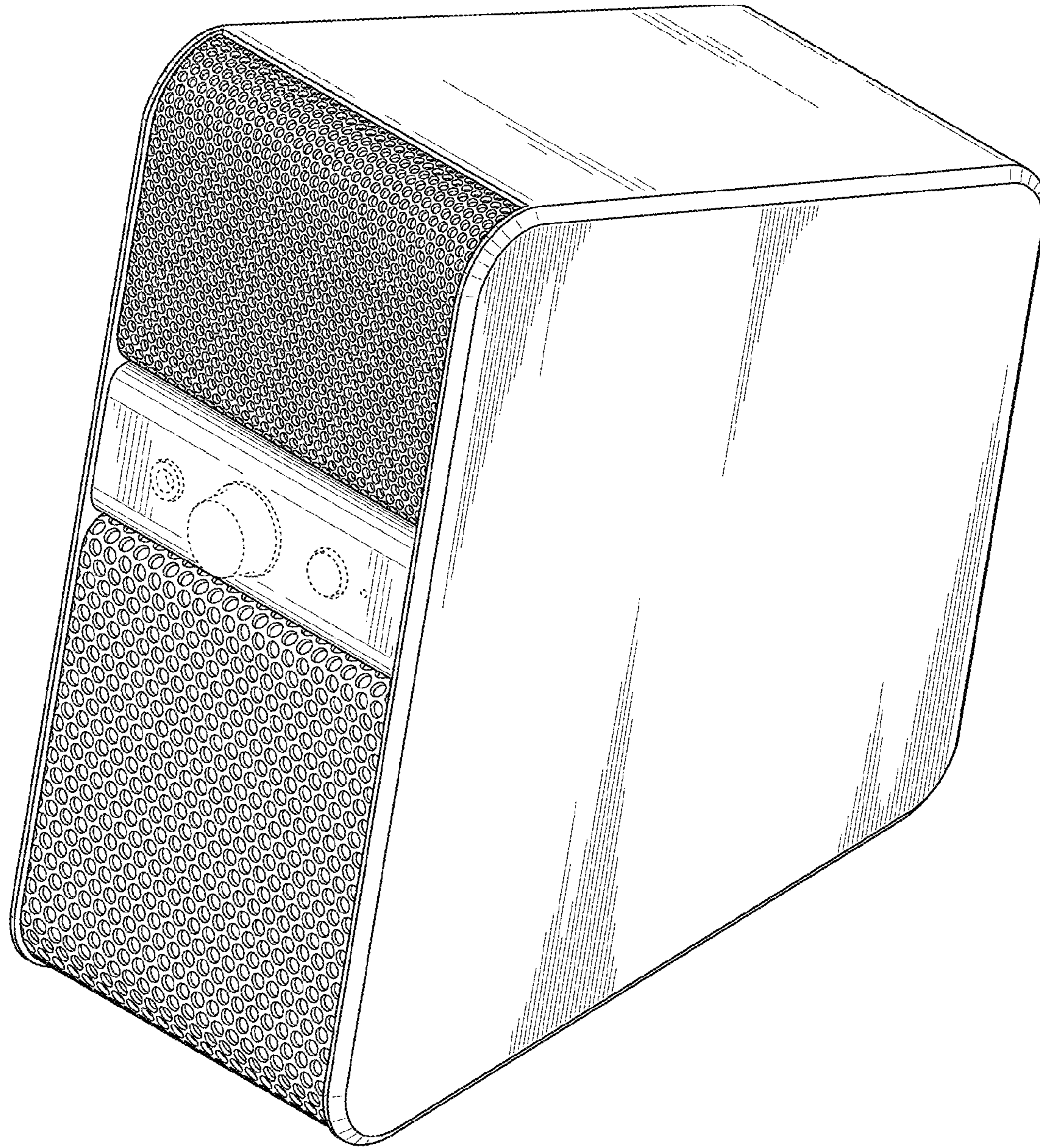
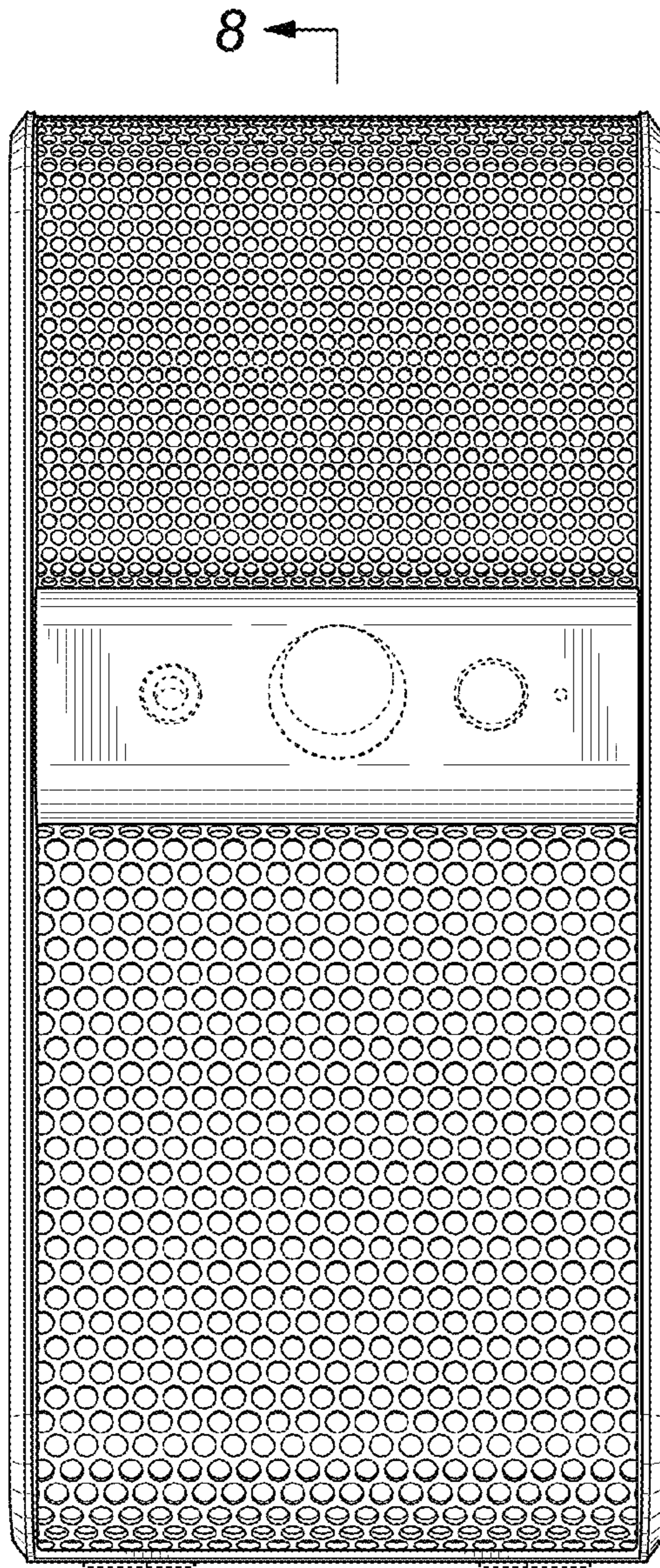


FIG. 1



8 ←
FIG. 2

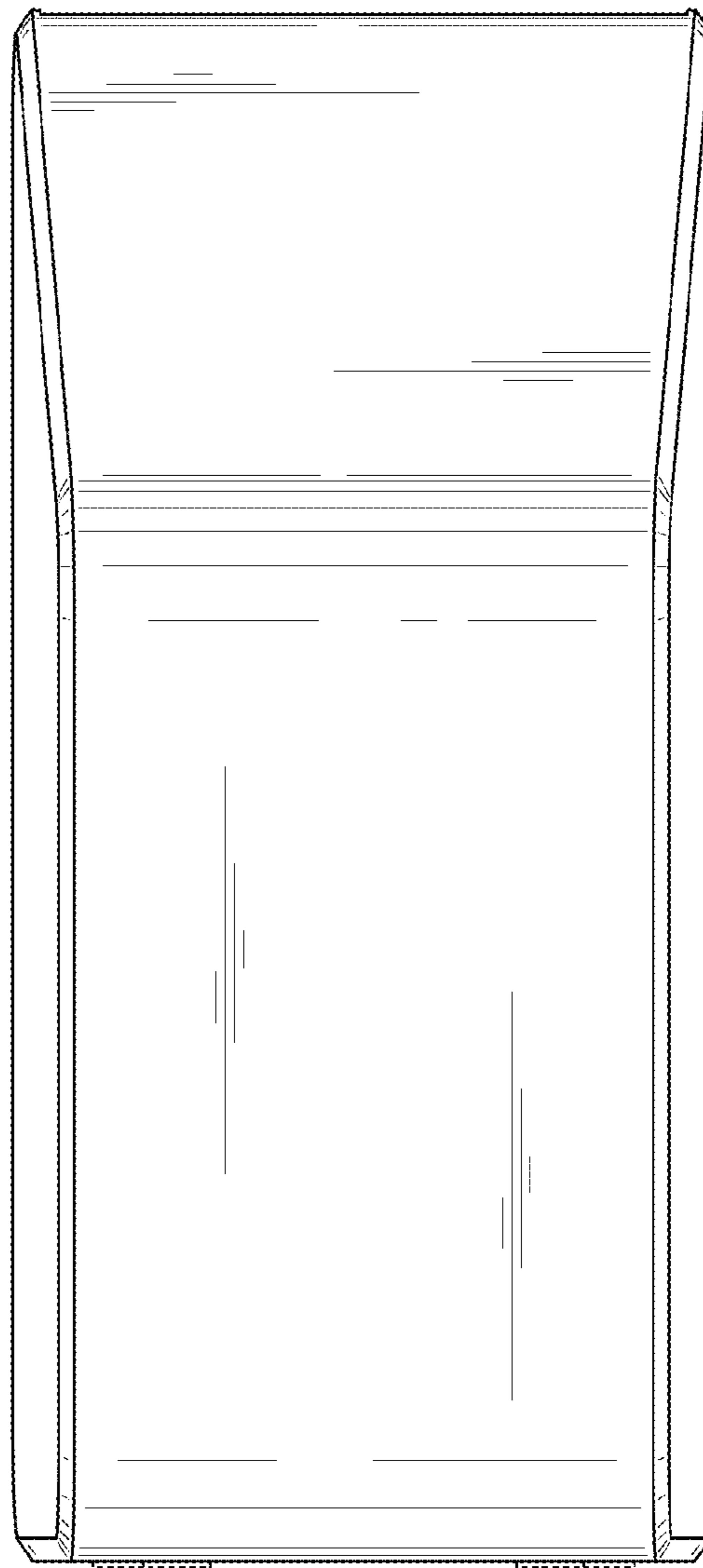


FIG. 3

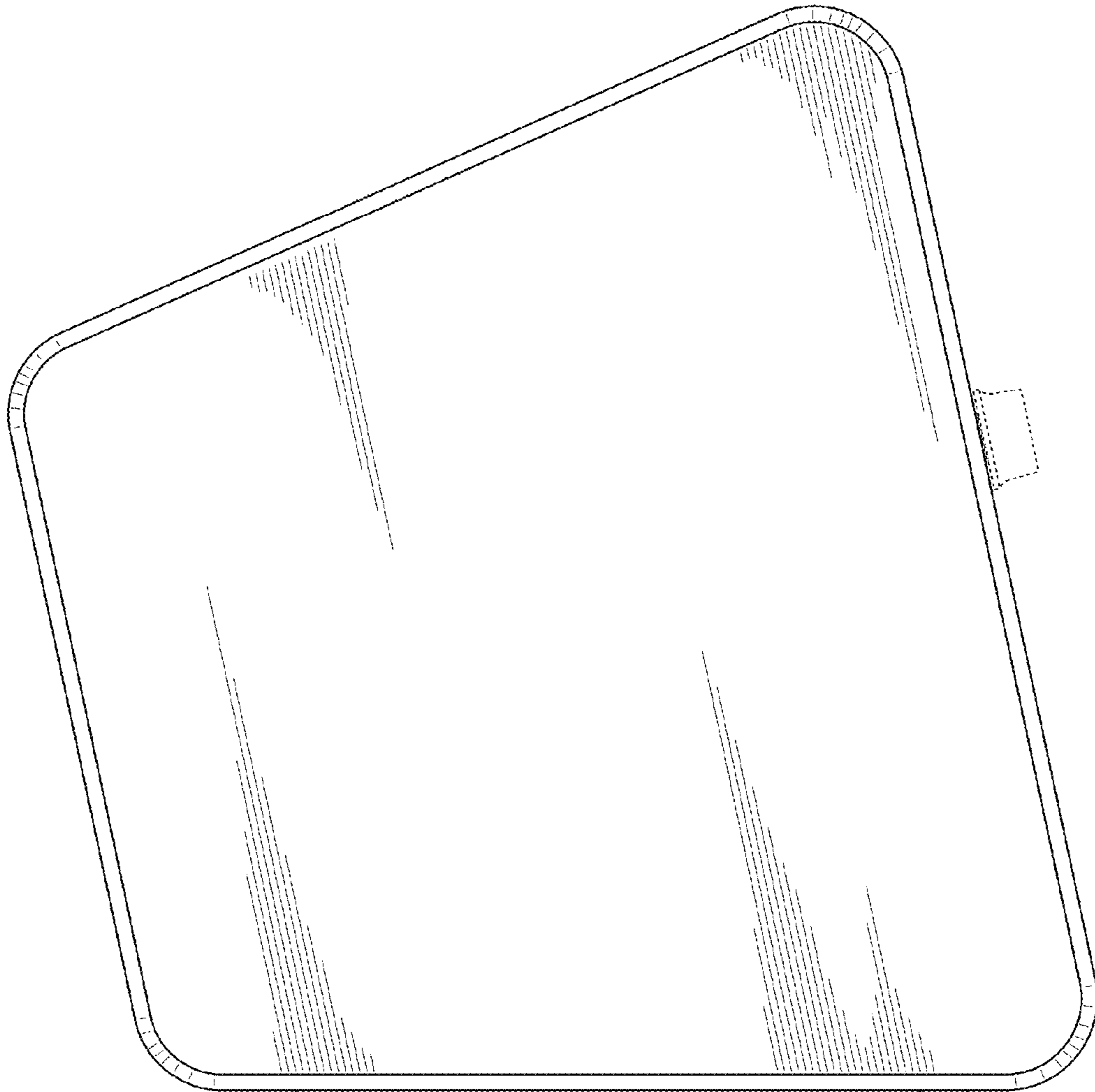


FIG. 4

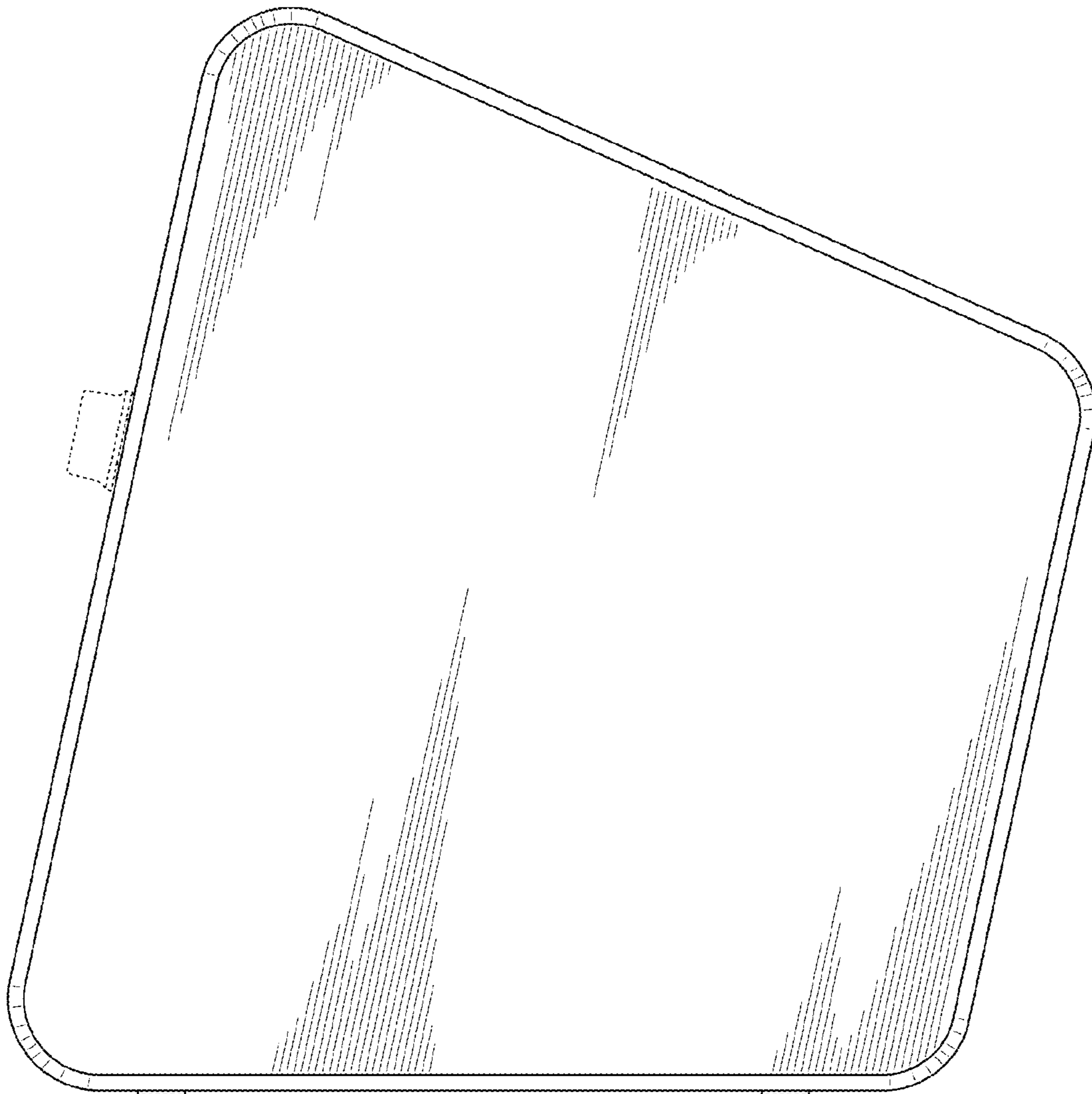


FIG. 5

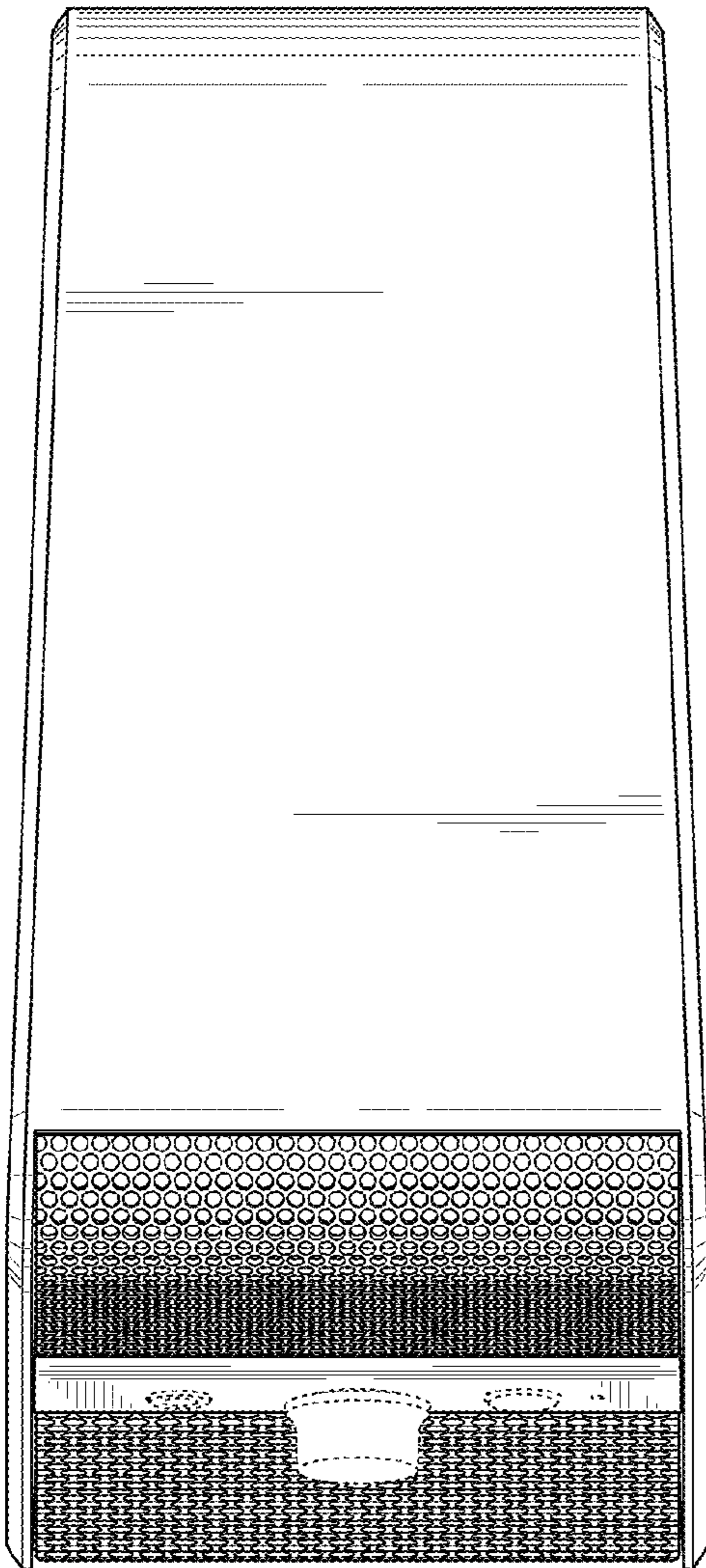


FIG. 6

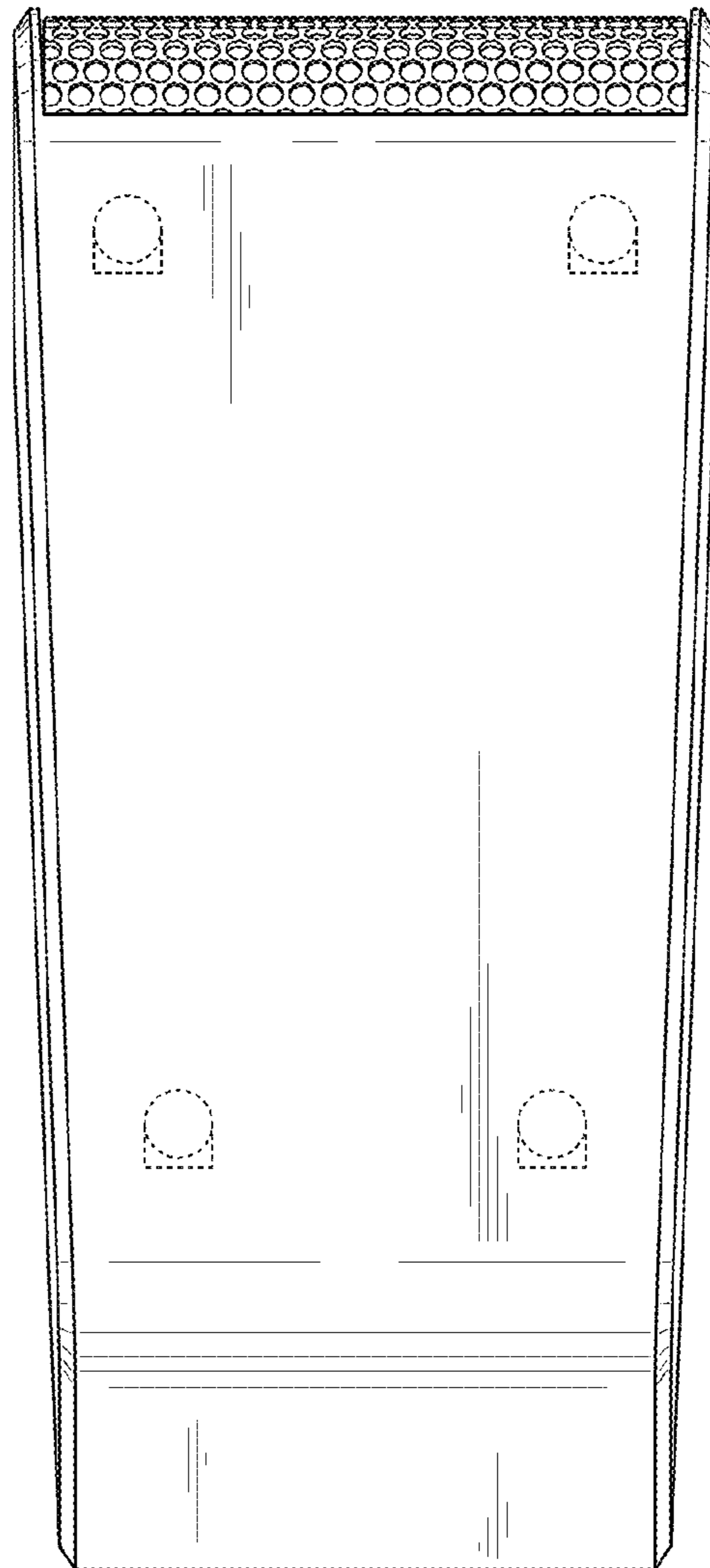


FIG. 7

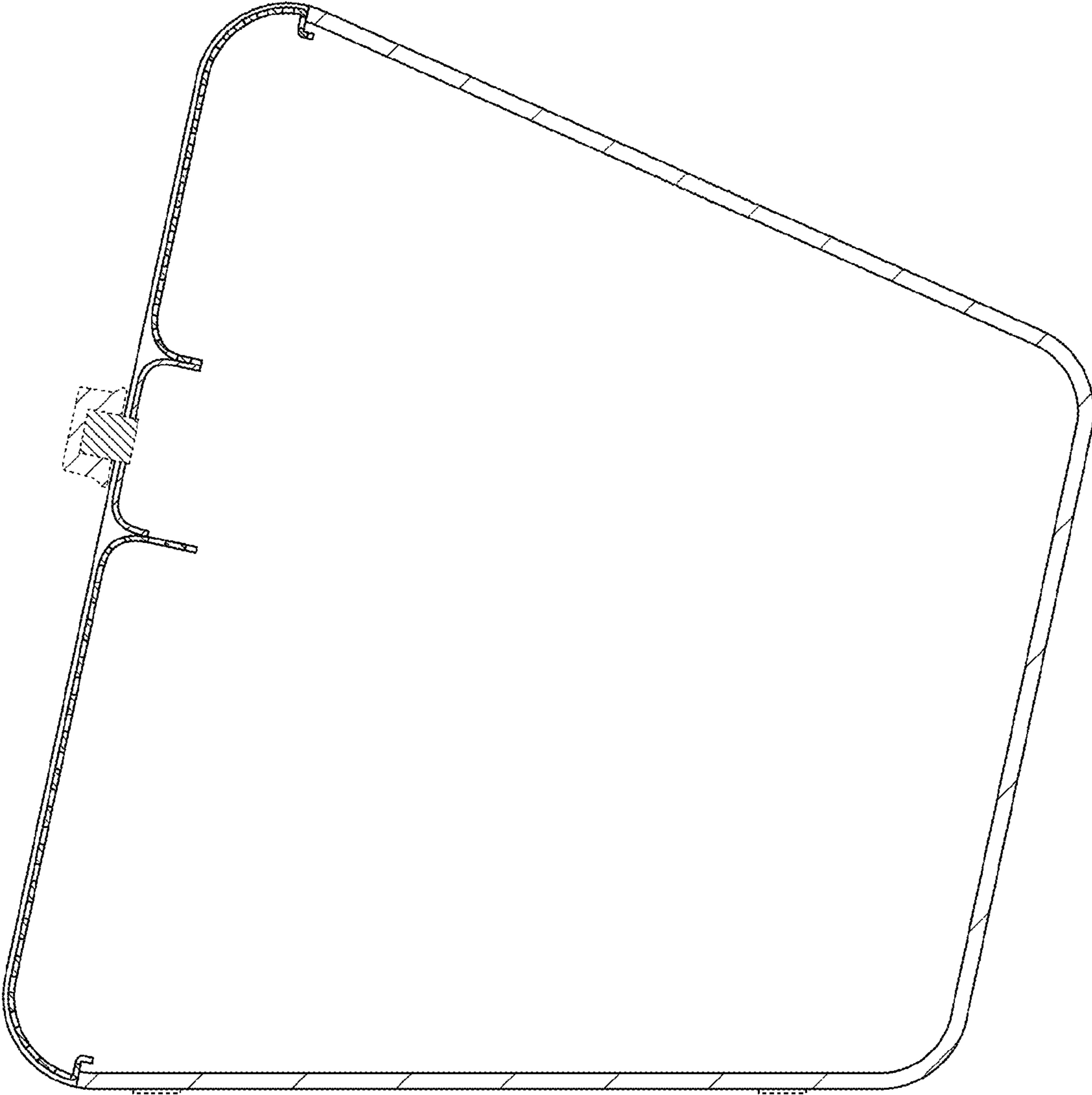


FIG. 8