



US00D687412S

(12) **United States Design Patent**
Davies et al.

(10) **Patent No.:** **US D687,412 S**
(45) **Date of Patent:** **** Aug. 6, 2013**

(54) **LOUDSPEAKER**

(75) Inventors: **Simon Davies**, Hong Kong (HK);
Patrick Ho, Hong Kong (HK); **Yang Jack Chang**, New Territories (HK);
Graham Allen, Kent (GB)

(73) Assignee: **GP Acoustics International Limited**,
New Territories (HK)

(**) Term: **14 Years**

(21) Appl. No.: **29/432,308**

(22) Filed: **Sep. 14, 2012**

Related U.S. Application Data

(62) Division of application No. 29/400,332, filed on Aug. 26, 2011, now Pat. No. Des. 676,025.

(30) **Foreign Application Priority Data**

Aug. 12, 2011 (HK) 1101376.0M002
Aug. 12, 2011 (HK) 1101376.0M005
Aug. 12, 2011 (HK) 1101376.0M006
Aug. 12, 2011 (HK) 1101376.0M007
Aug. 12, 2011 (HK) 1101376.0M009

(51) **LOC (9) Cl.** **14-03**

(52) **U.S. Cl.**
USPC **D14/213; D14/215**

(58) **Field of Classification Search**
USPC D14/168, 172, 194–196, 204, 207,
D14/209.1, 210–216, 221, 222; 181/143,
181/144, 147, 148, 150, 153, 157, 198, 199;
381/300–303, 306, 332, 333, 336, 345,
361–364, 386–388

See application file for complete search history.

(56) **References Cited**

U.S. PATENT DOCUMENTS

3,241,631 A 3/1966 Manieri
4,940,108 A 7/1990 Selby

(Continued)

Primary Examiner — Keli L Hill

(74) *Attorney, Agent, or Firm* — Pearne & Gordon LLP

(57) **CLAIM**

The ornamental design for a loudspeaker, as shown and described.

DESCRIPTION

FIG. 1 is a front view of a loudspeaker showing our new design;

FIG. 2 is a rear view thereof;

FIG. 3 is a left side view thereof;

FIG. 4 is a right side view thereof;

FIG. 5 is a top plan view thereof;

FIG. 6 is a bottom plan view thereof;

FIG. 7 is a front perspective view thereof;

FIG. 8 is a rear perspective view thereof;

FIG. 9 is a front view of a loudspeaker showing our new design;

FIG. 10 is a rear view thereof;

FIG. 11 is a left side view thereof;

FIG. 12 is a right side view thereof;

FIG. 13 is a top plan view thereof;

FIG. 14 is a bottom plan view thereof;

FIG. 15 is a front perspective view thereof;

FIG. 16 is a rear perspective view thereof;

FIG. 17 is a front view of a loudspeaker showing our new design;

FIG. 18 is a rear view thereof;

FIG. 19 is a left side view thereof;

FIG. 20 is a right side view thereof;

FIG. 21 is a top plan view thereof;

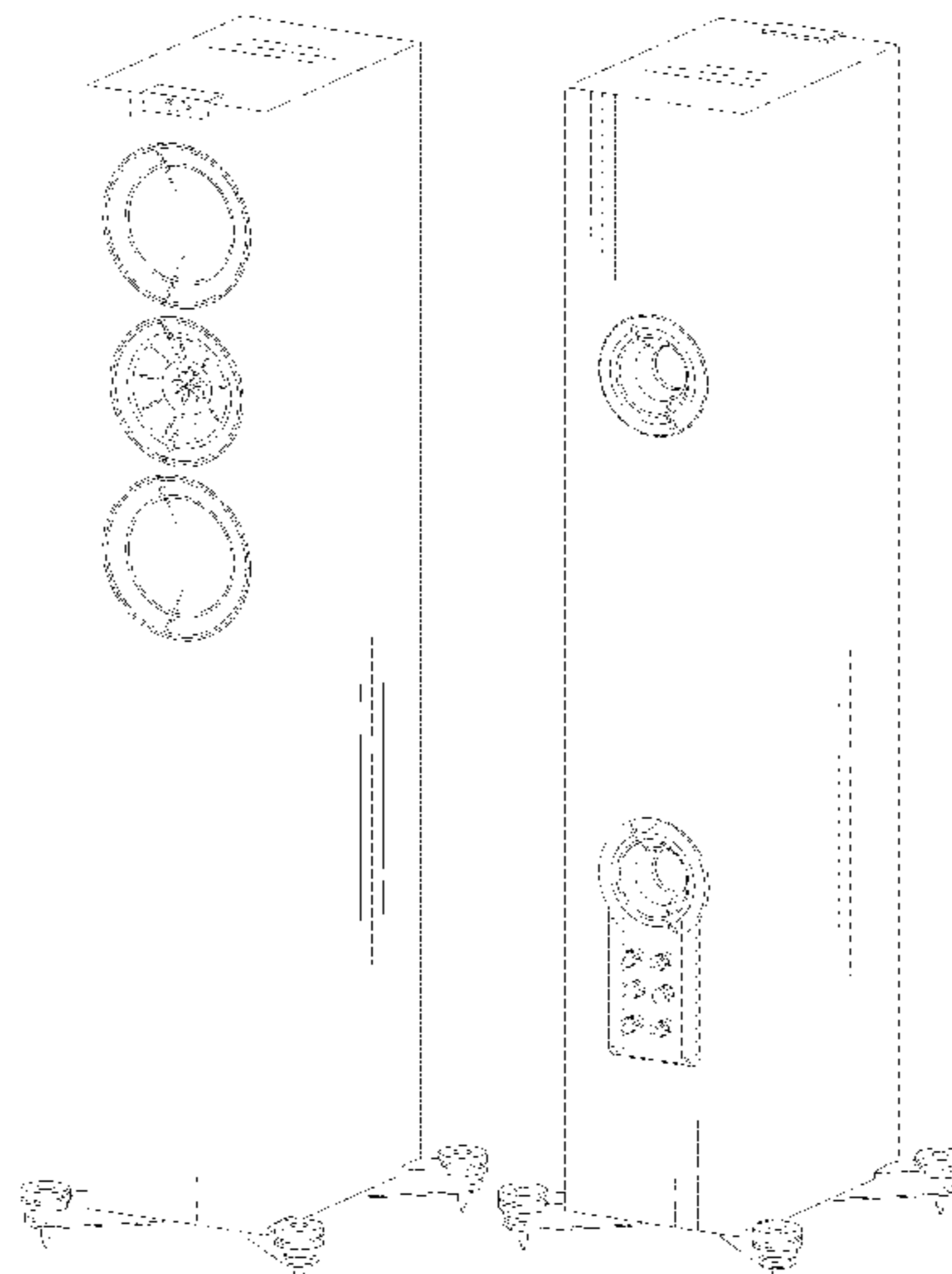
FIG. 22 is a bottom plan view thereof;

FIG. 23 is a front perspective view thereof; and,

FIG. 24 is a rear perspective view thereof.

The broken line showing on the drawing disclosure is for illustrative purposes only and forms no part of the claimed design.

1 Claim, 24 Drawing Sheets



US D687,412 S

Page 2

U.S. PATENT DOCUMENTS

D368,710 S *	4/1996	Althans	D14/128	D576,150 S	9/2008	Lim et al.	
5,546,468 A	8/1996	Beard		D588,107 S	3/2009	Khoo et al.	
5,875,255 A	2/1999	Campbell		D590,812 S	4/2009	Muraoka et al.	
6,561,311 B2	5/2003	Chuang		D624,047 S	9/2010	Kim	
D486,474 S *	2/2004	Allen	D14/215	D645,450 S	9/2011	Chen	
D486,475 S	2/2004	Allen		D672,751 S *	12/2012	Davies et al.	D14/215
D494,565 S *	8/2004	Yao	D14/215	D676,025 S *	2/2013	Davies et al.	D14/215
D505,939 S	6/2005	Dayan		D678,245 S *	3/2013	Davies et al.	D14/215
D507,790 S	7/2005	Dayan		D678,246 S *	3/2013	Davies et al.	D14/215

* cited by examiner

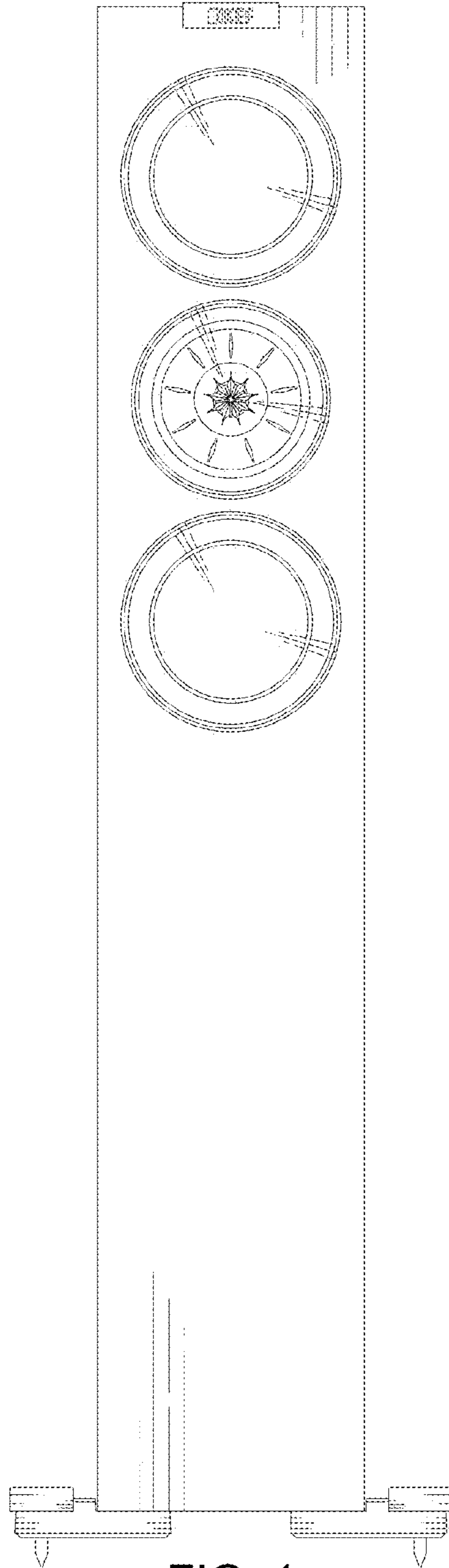


FIG. 1

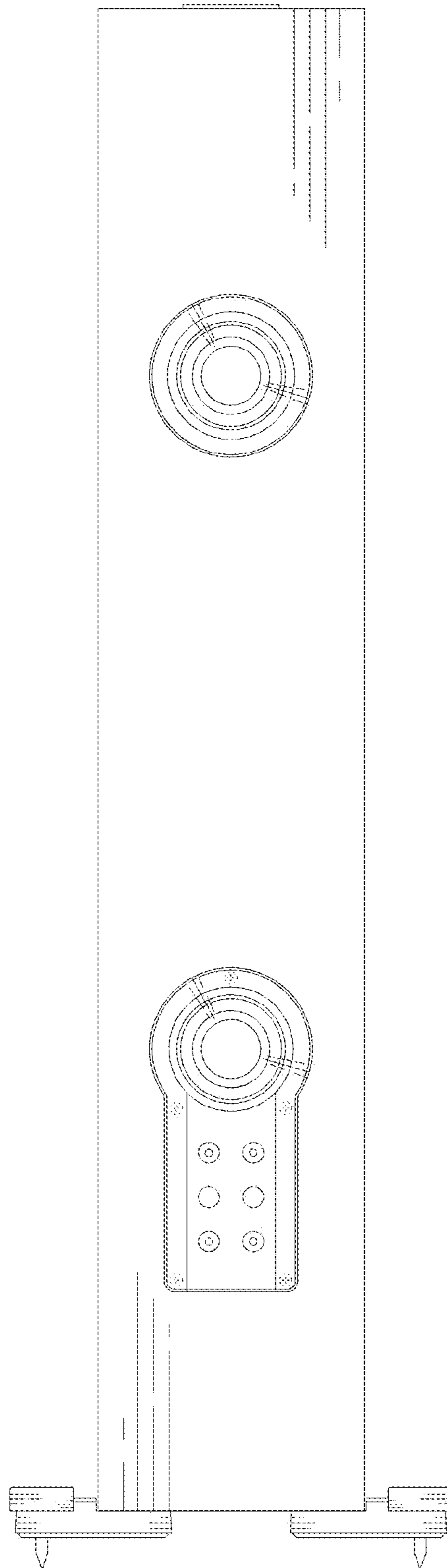


FIG. 2

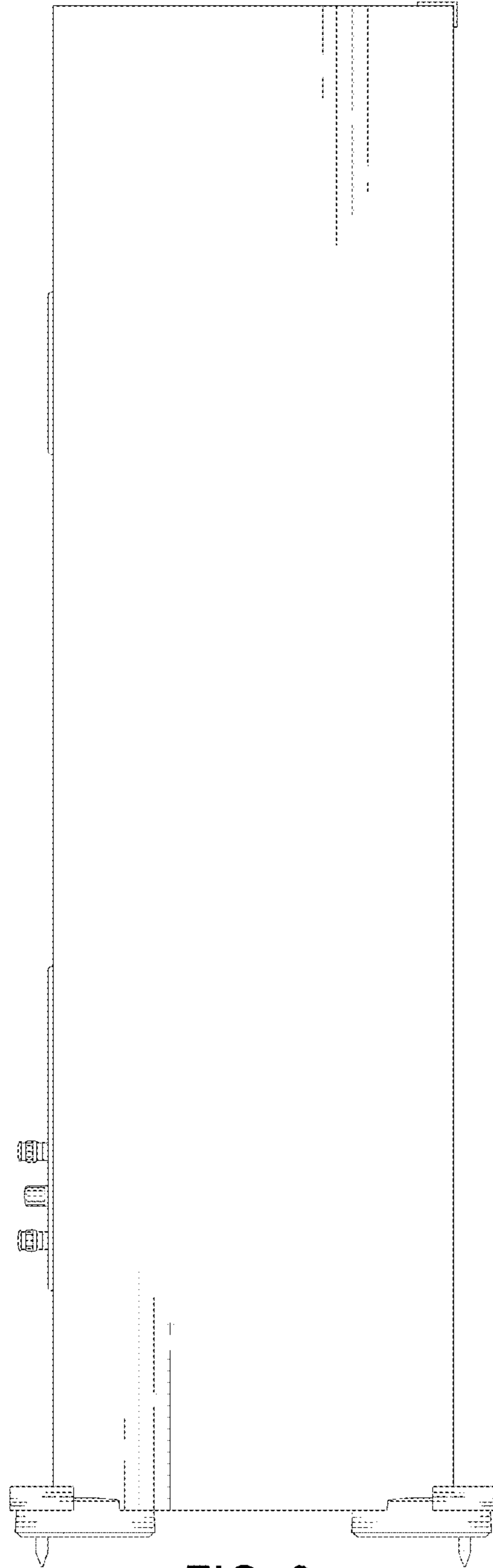


FIG. 3

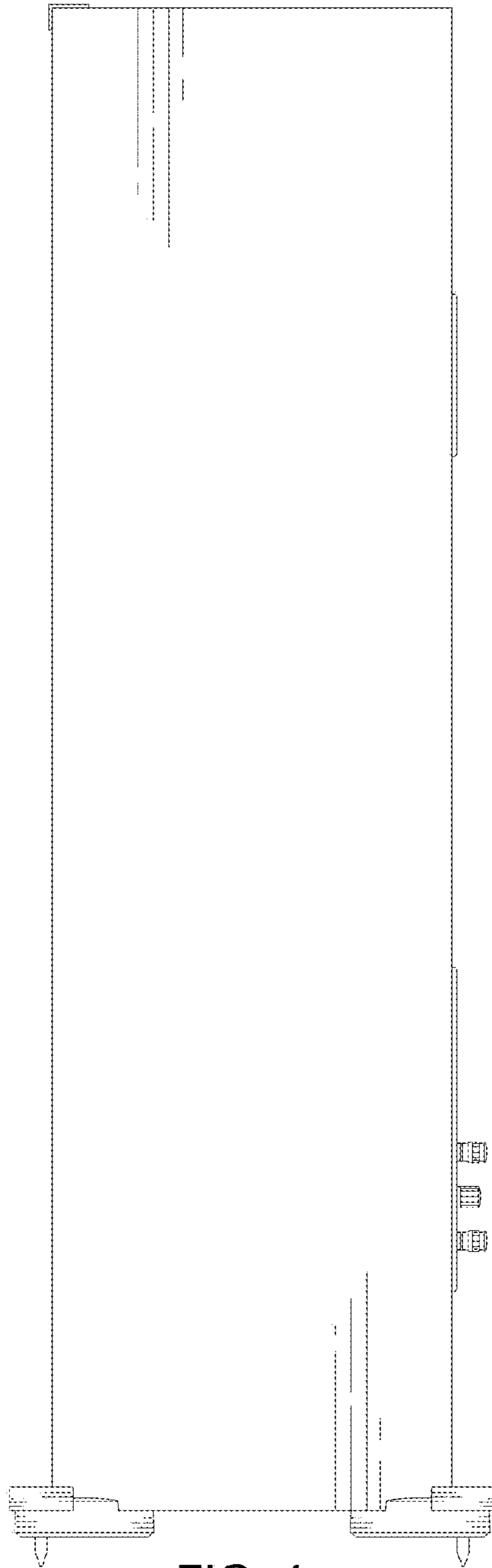


FIG. 4

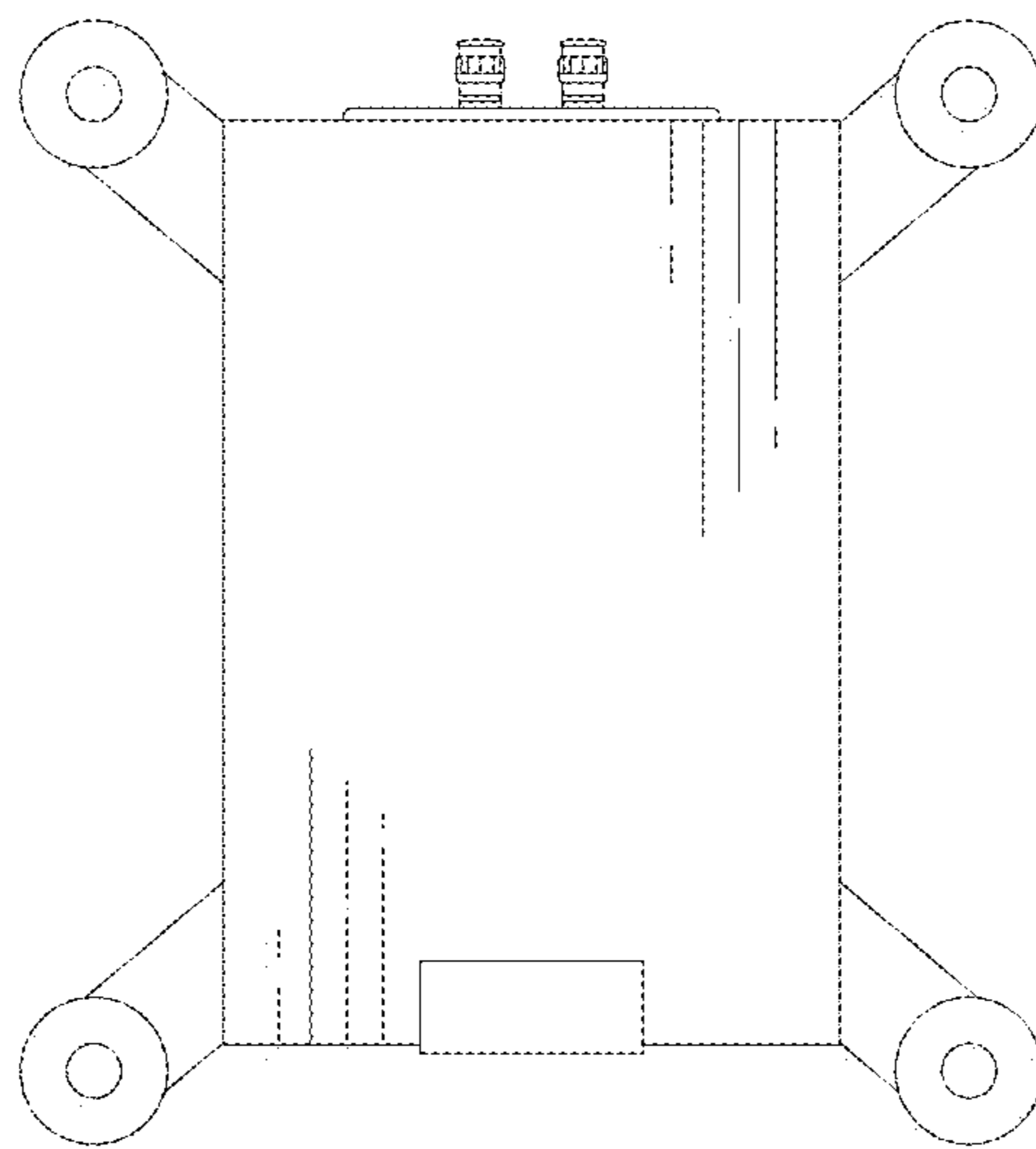


FIG. 5

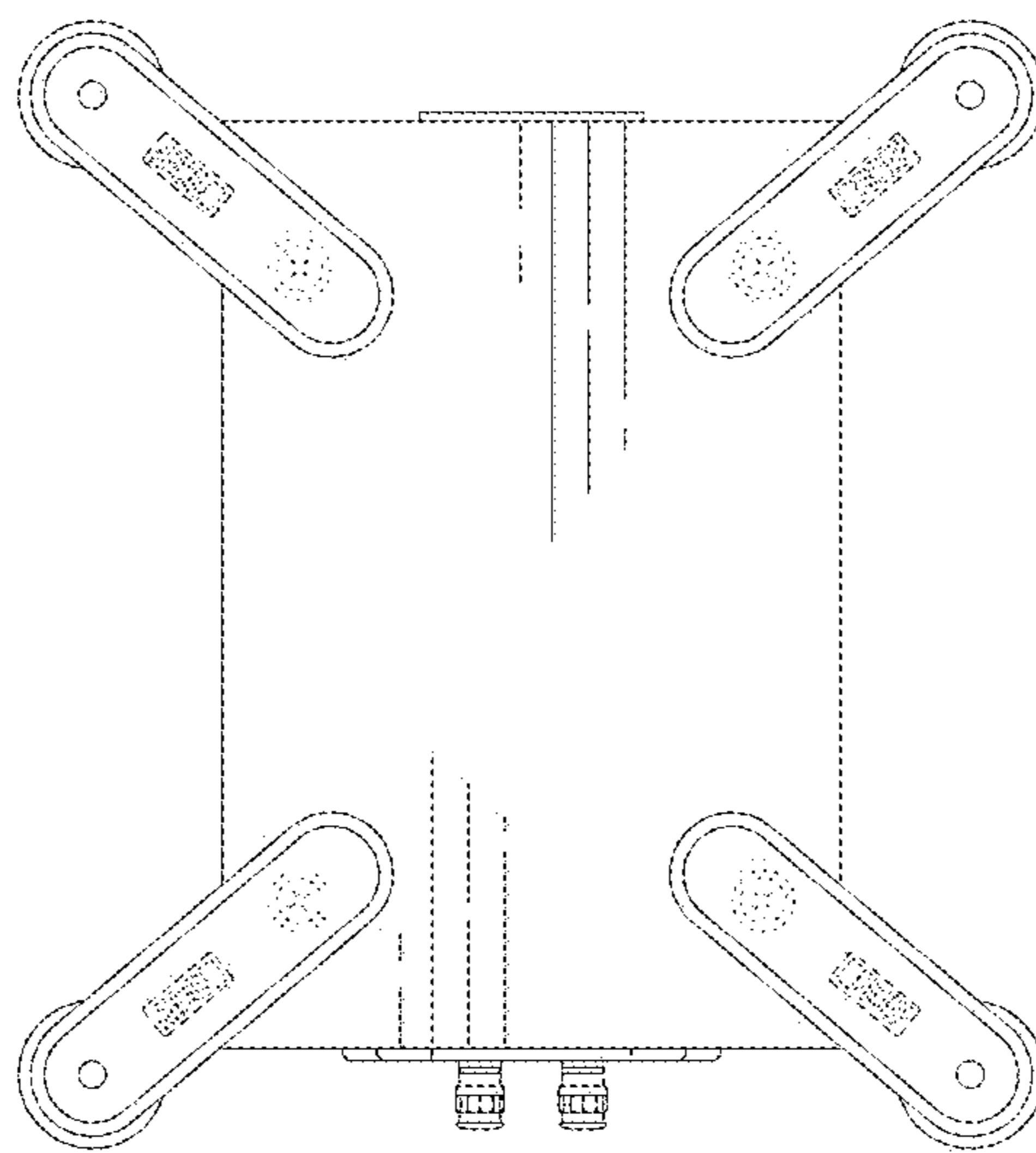


FIG. 6

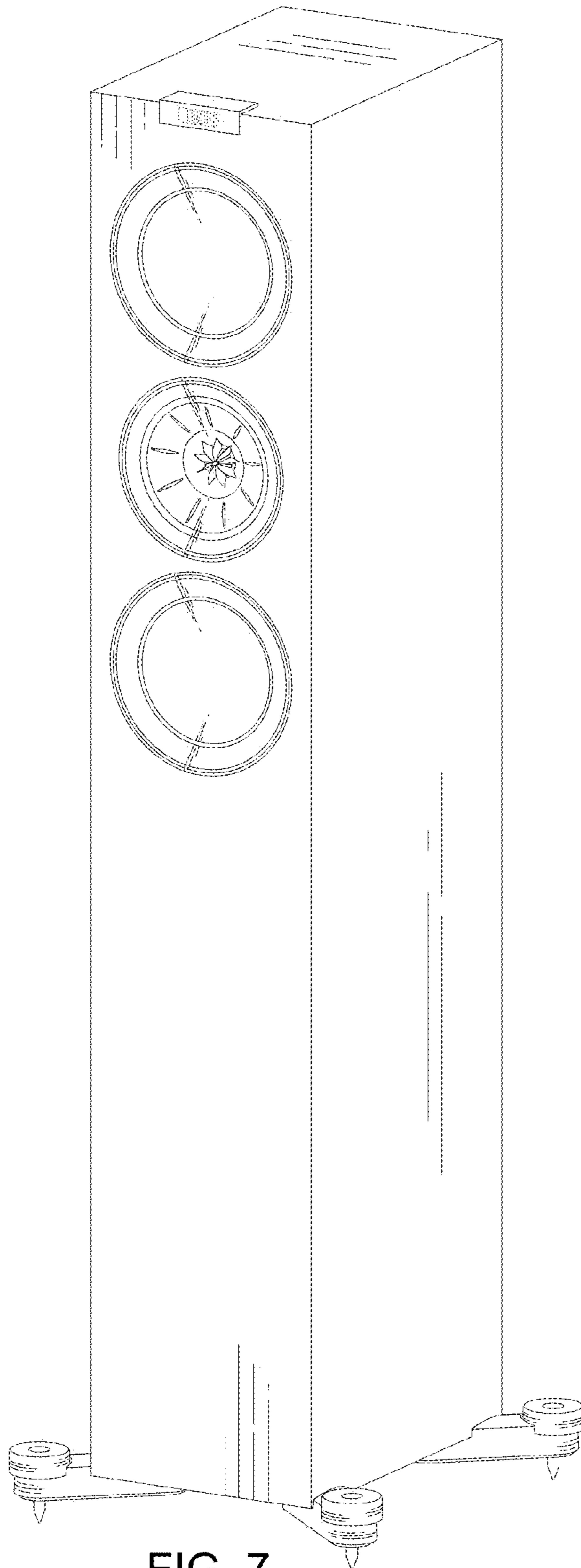


FIG. 7

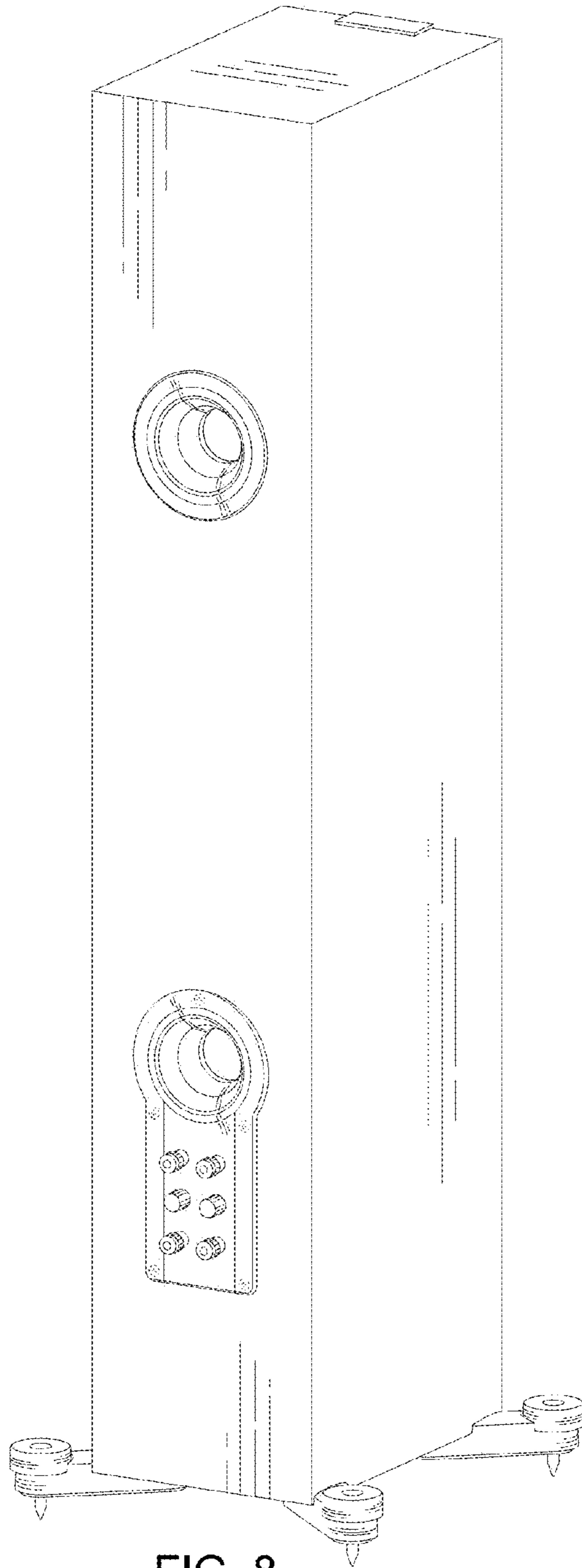


FIG. 8

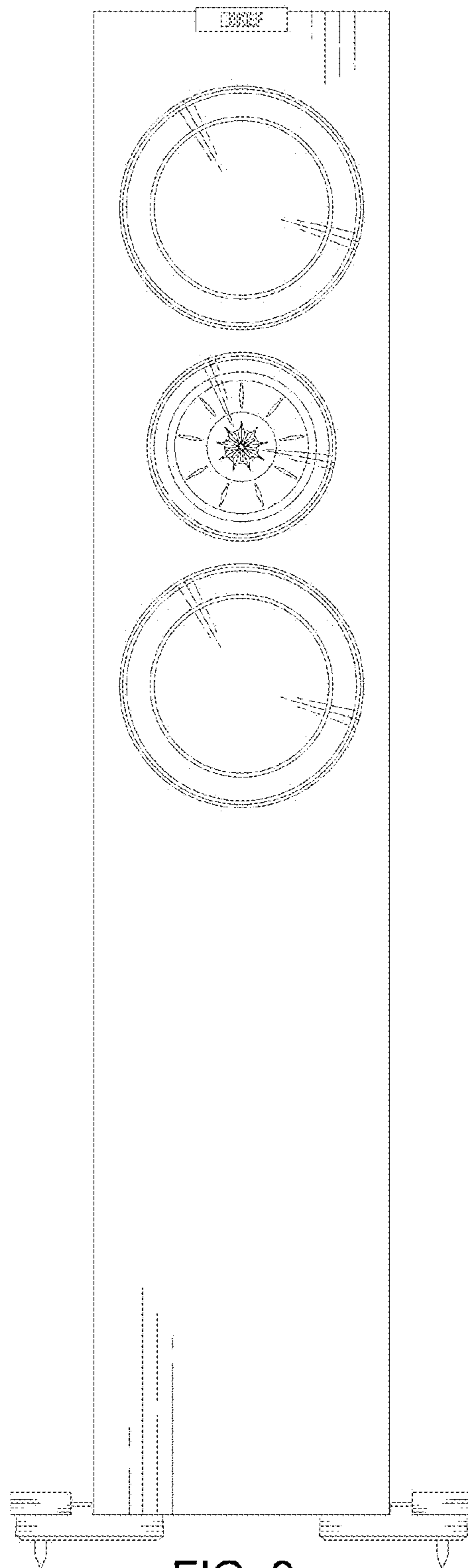


FIG. 9

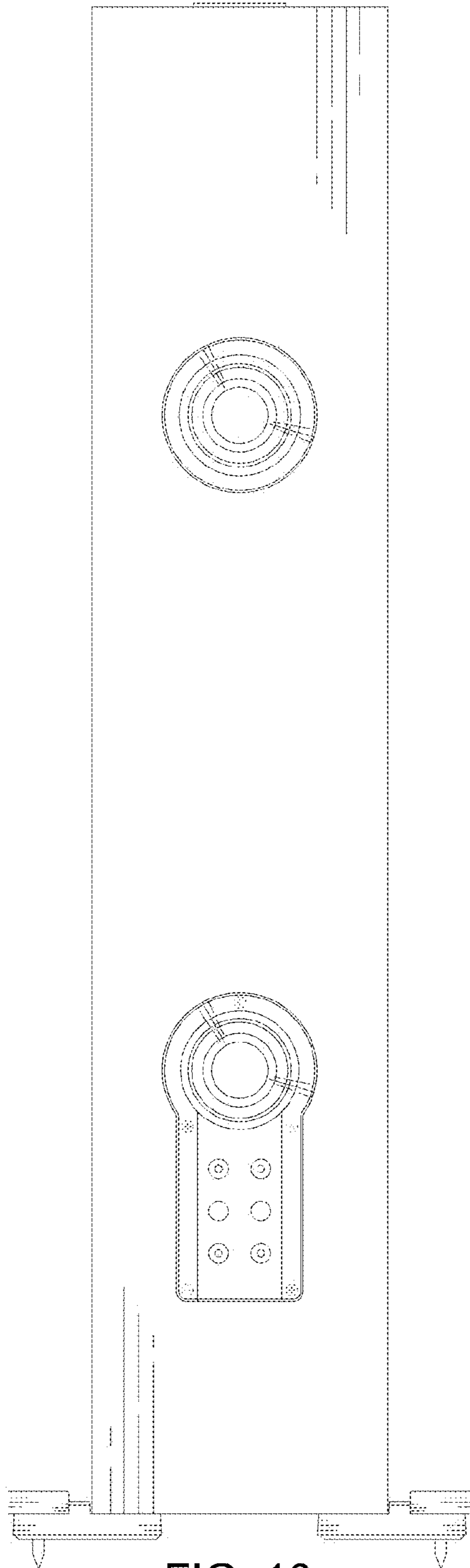


FIG. 10

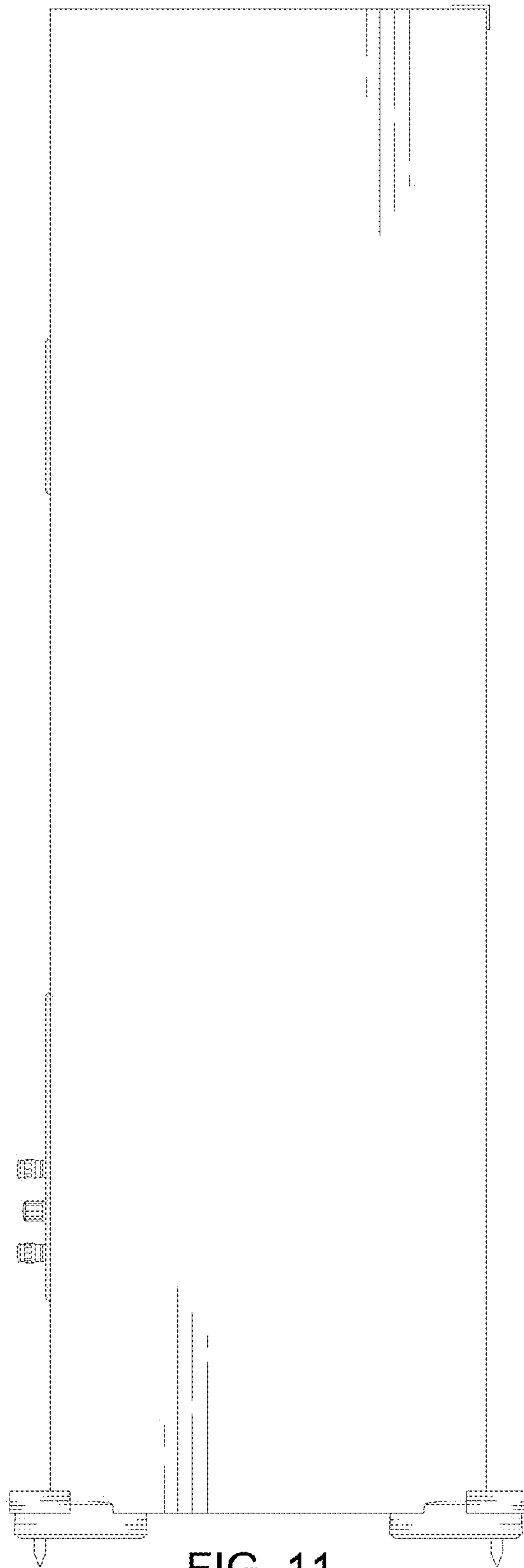


FIG. 11

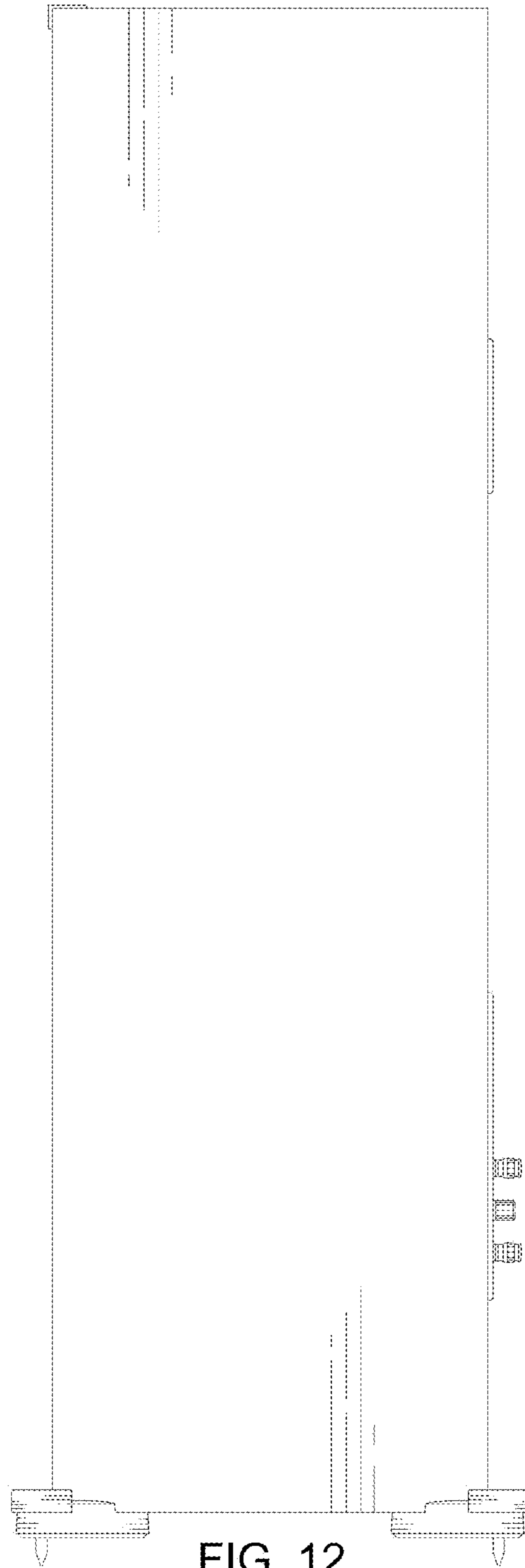


FIG. 12

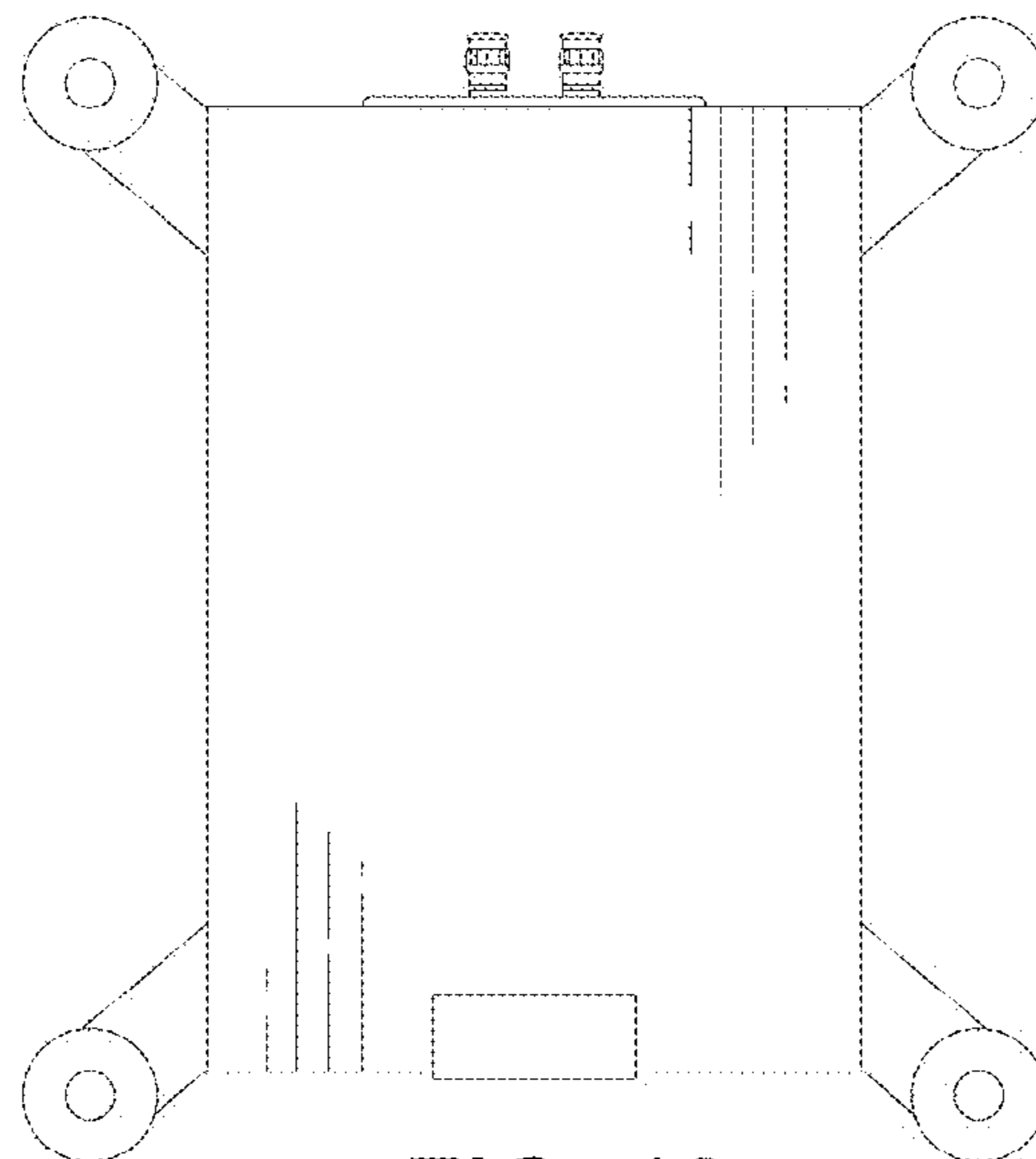


FIG. 13

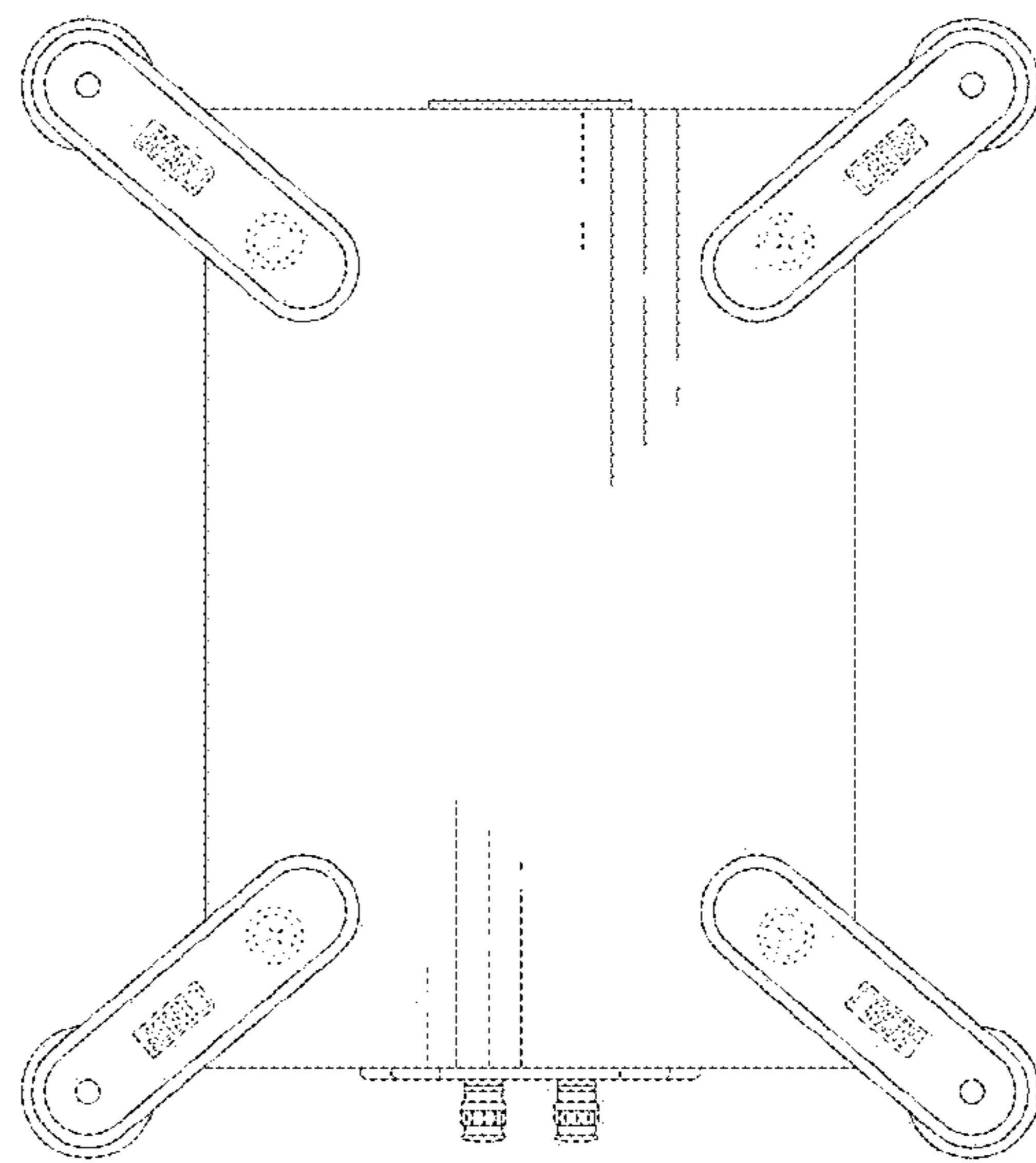


FIG. 14

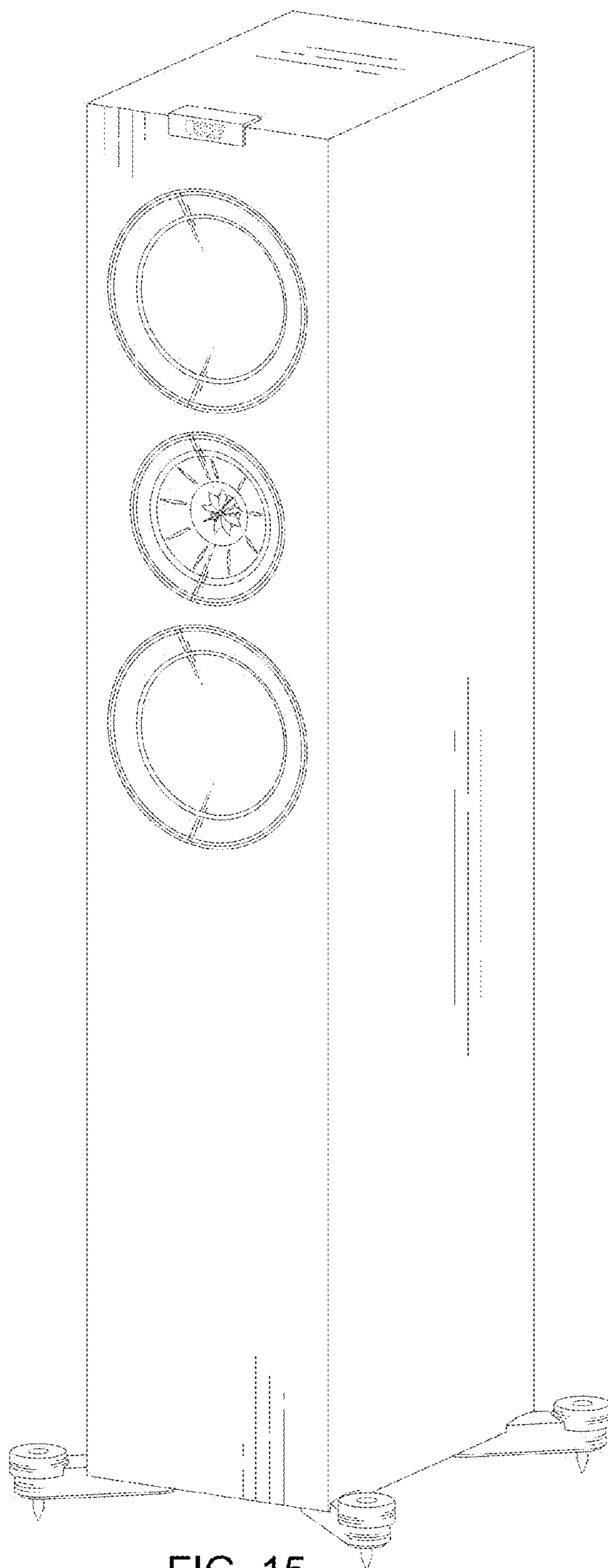


FIG. 15

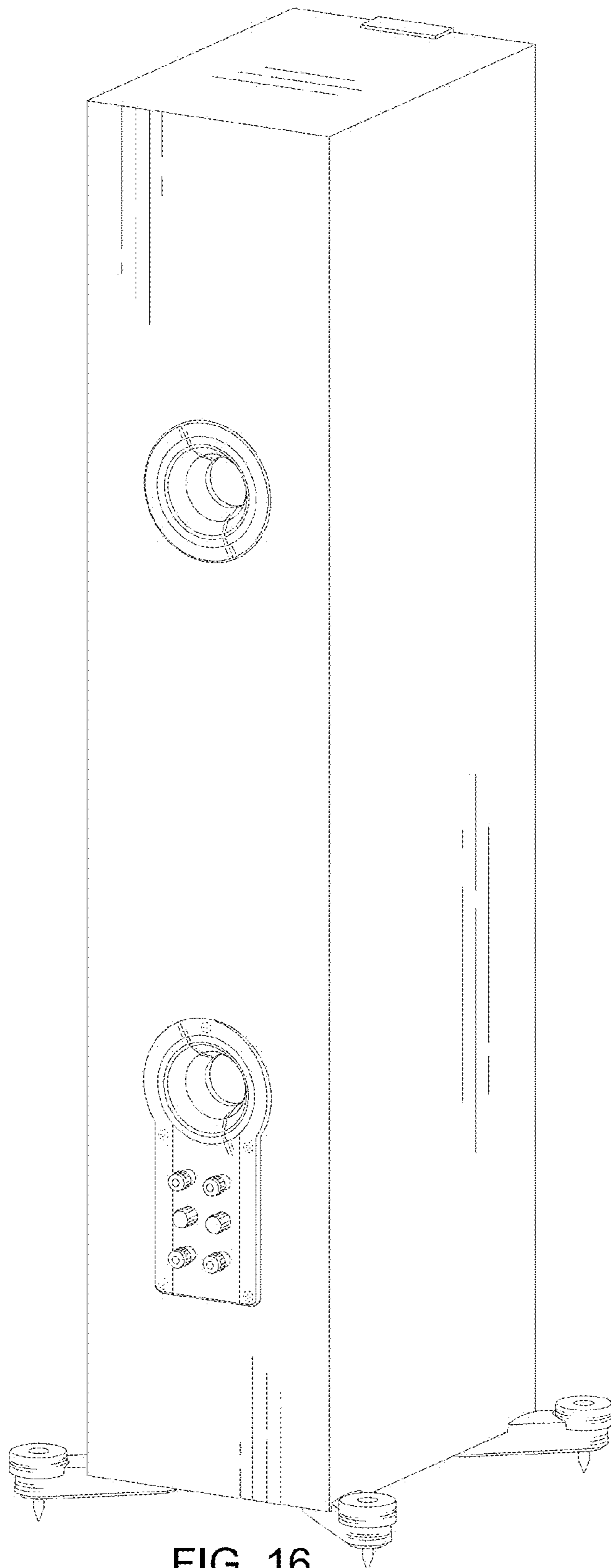


FIG. 16

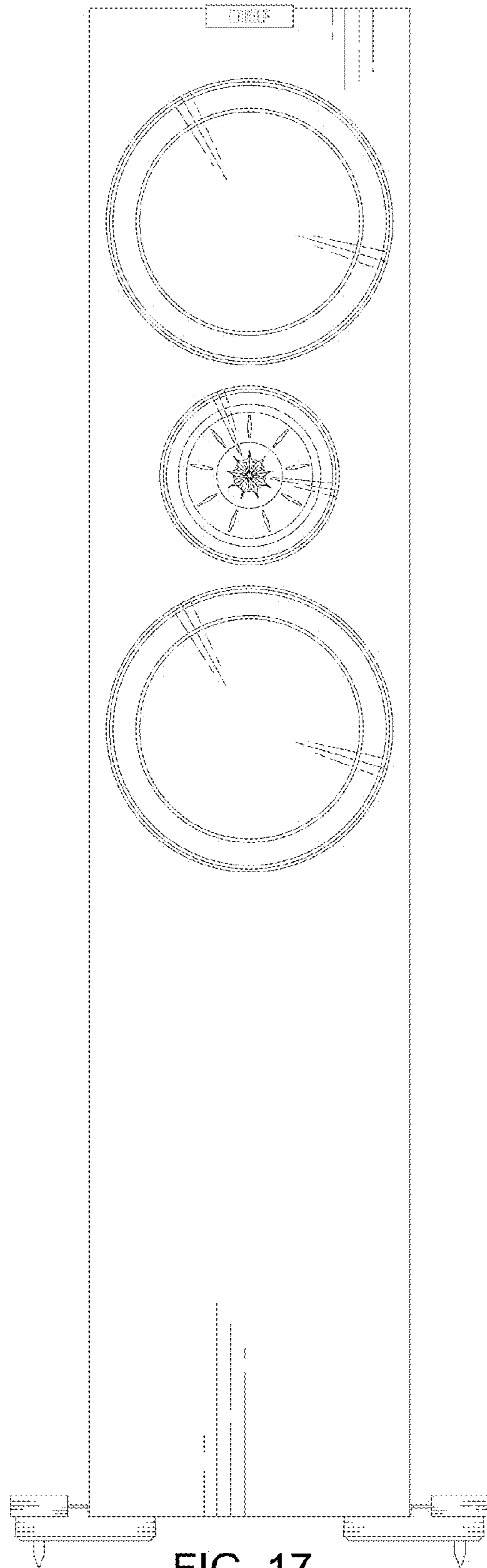


FIG. 17

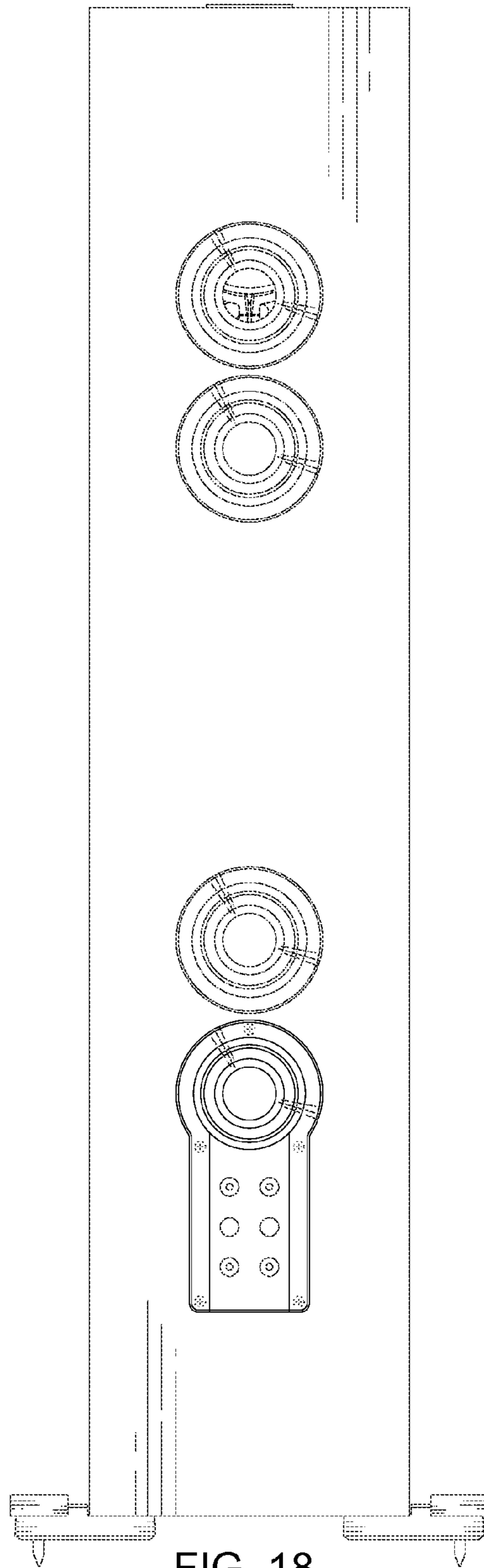


FIG. 18

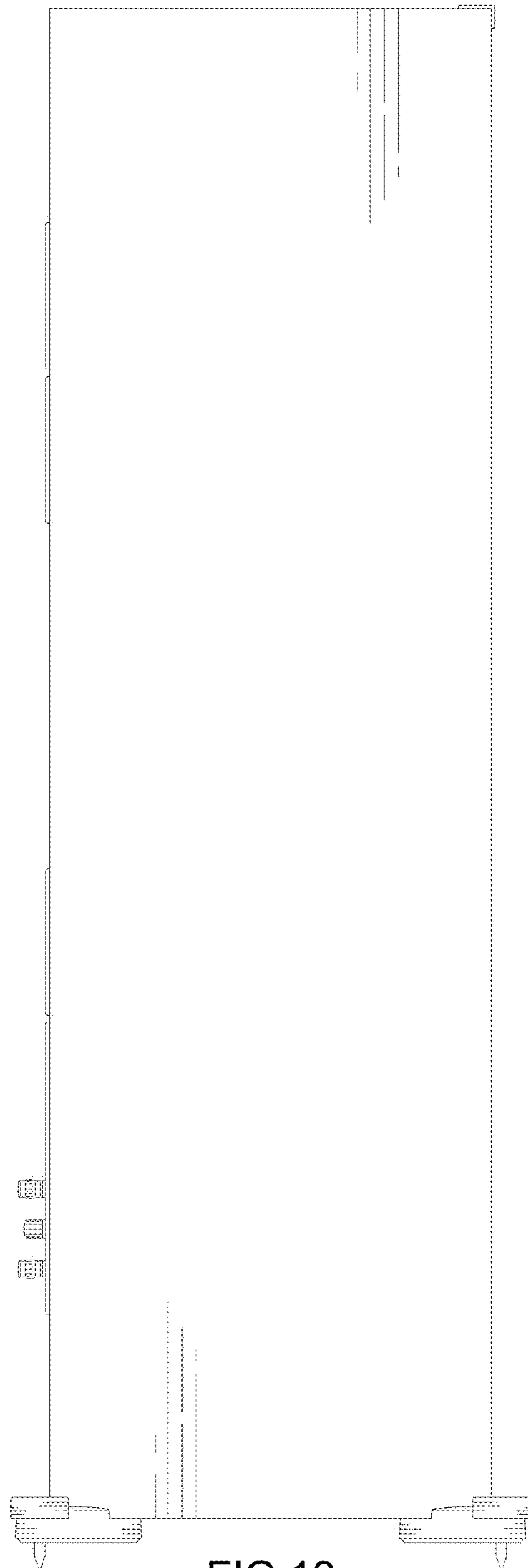


FIG.19

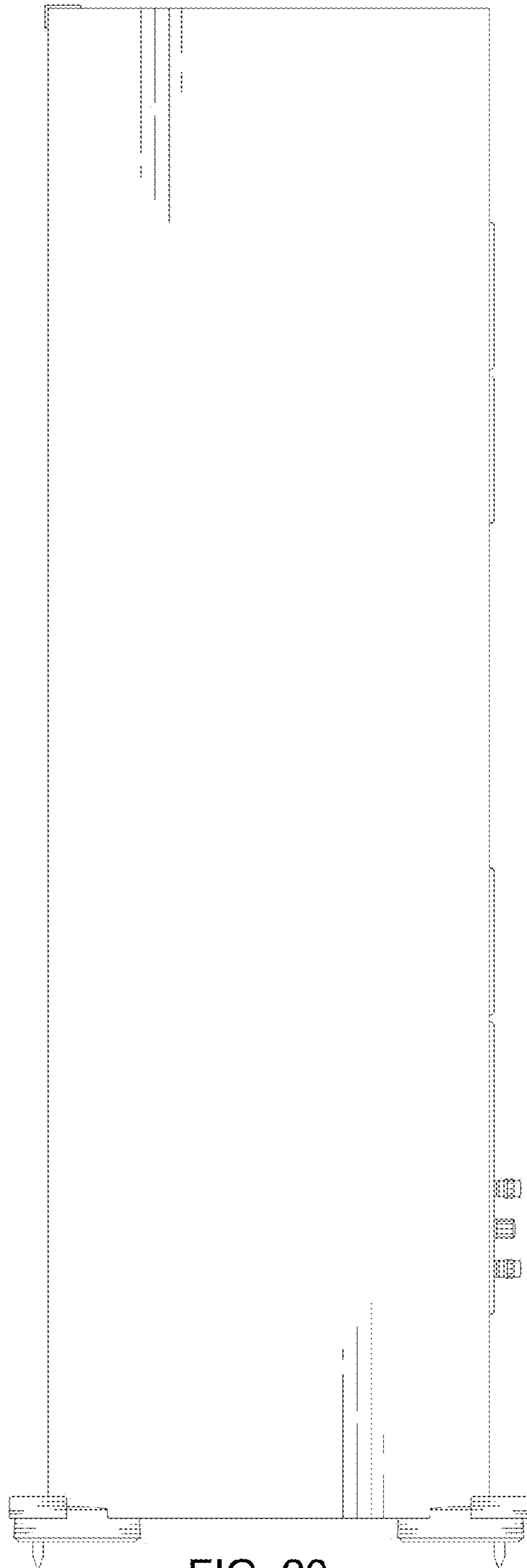


FIG. 20

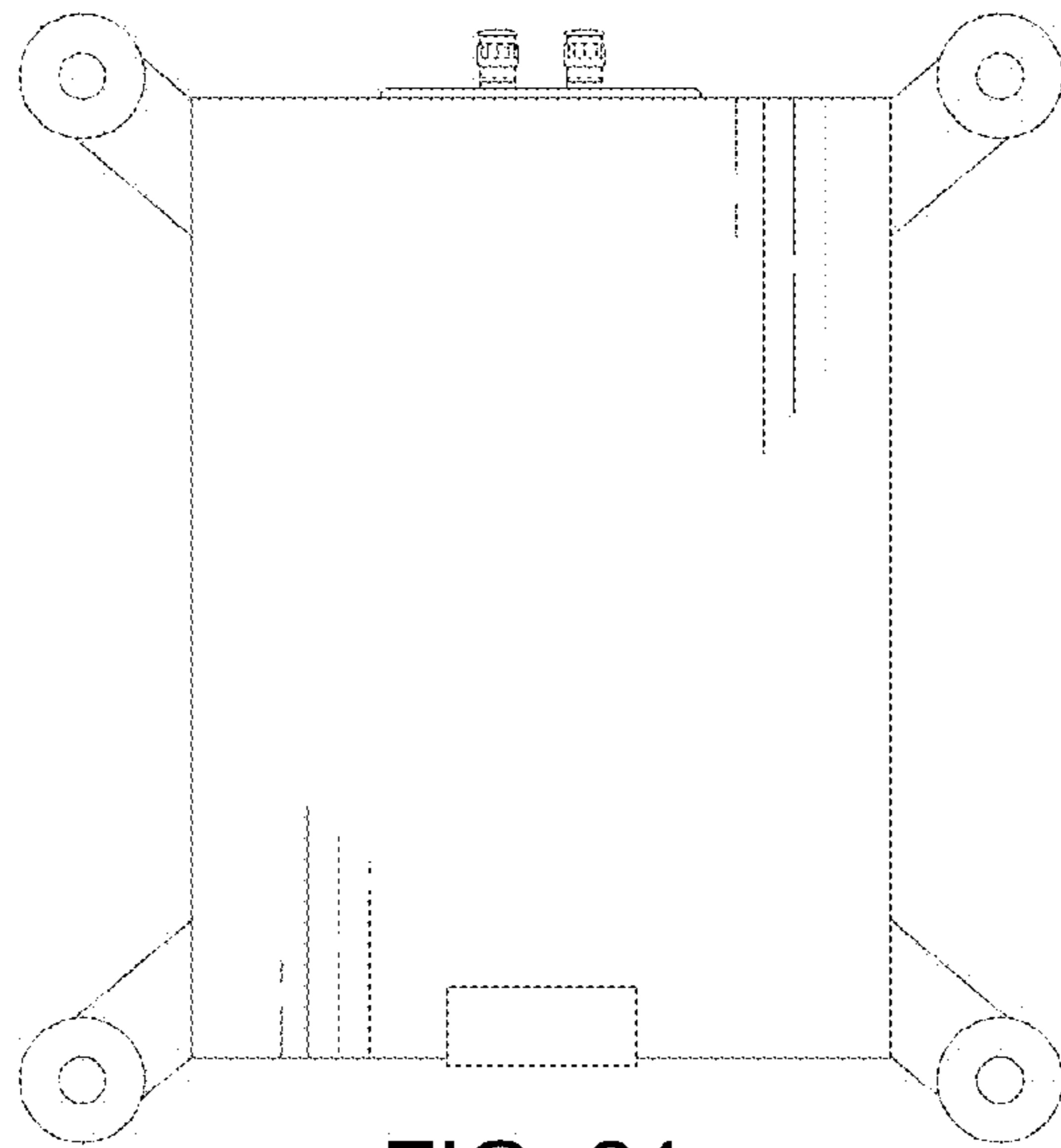


FIG. 21

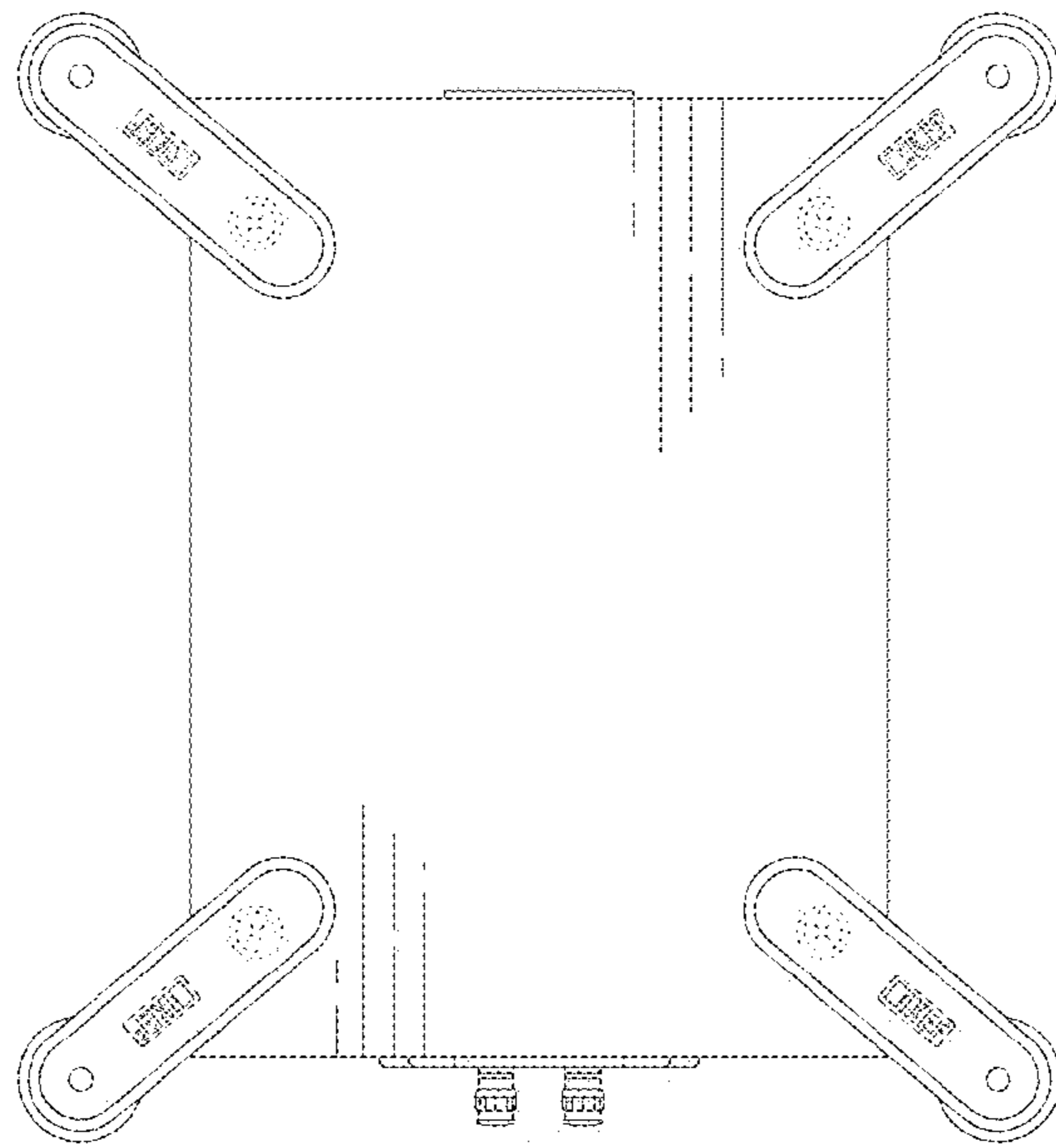


FIG. 22

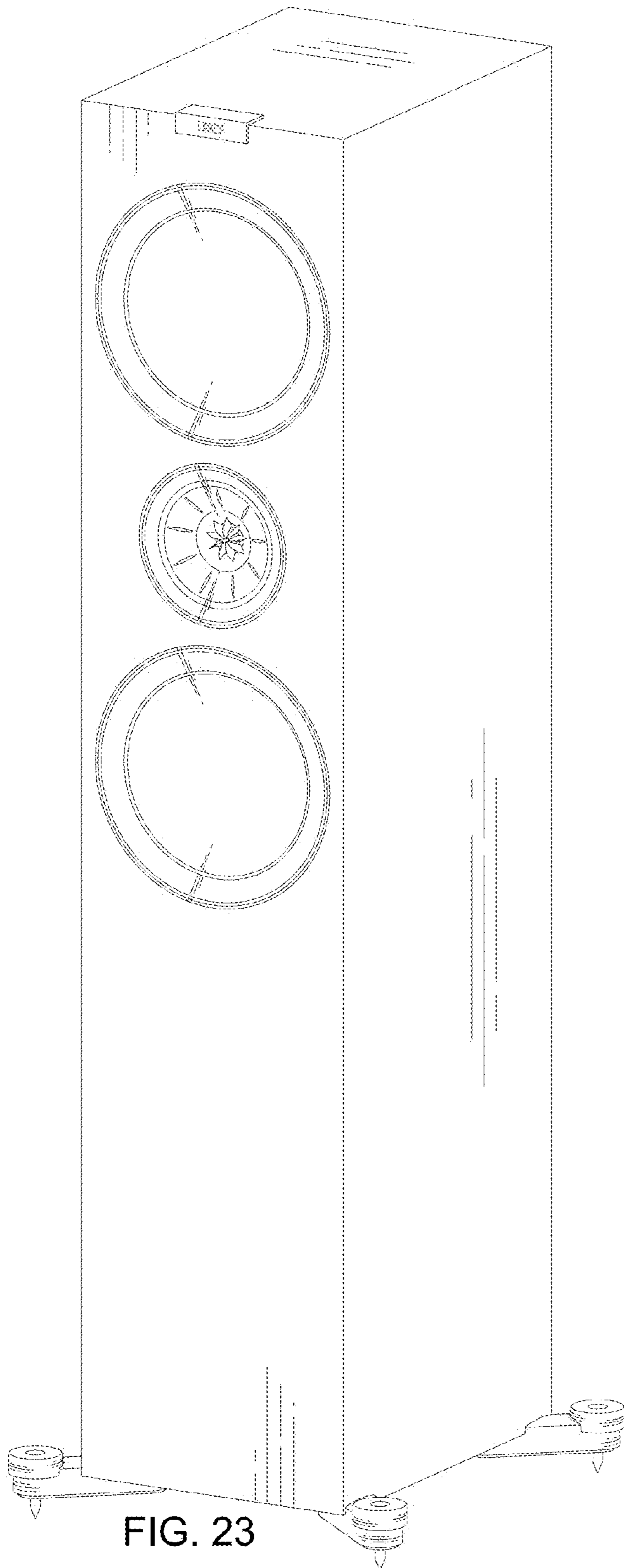


FIG. 23

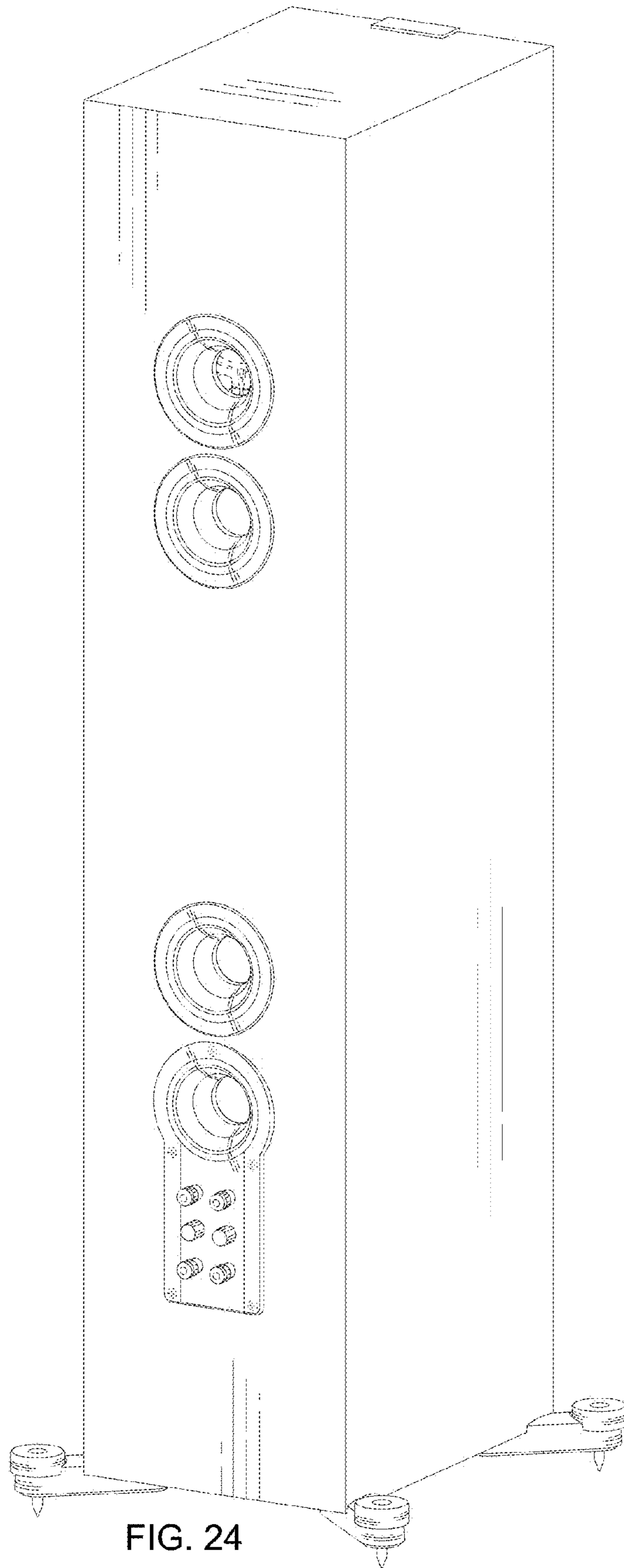


FIG. 24