



US00D687393S

(12) **United States Design Patent**  
**Lin**

(10) **Patent No.:** **US D687,393 S**

(45) **Date of Patent:** **\*\* Aug. 6, 2013**

(54) **CONTROL PANEL FOR AC/DC POWER SUPPLY**

(75) Inventor: **Mu-Chun Lin**, Taichung (TW)

(73) Assignee: **Chyng Hong Electronic Co.**, Taichung (TW)

(\*\*) Term: **14 Years**

(21) Appl. No.: **29/431,195**

(22) Filed: **Sep. 5, 2012**

(51) **LOC (9) Cl.** ..... **13-03**

(52) **U.S. Cl.**  
USPC ..... **D13/177**

(58) **Field of Classification Search**  
USPC ..... D13/162, 177; D14/257; D8/353; 174/66, 174/67; 200/5 R, 5 A, 5 E, 293, 296, 302.2, 200/339; 220/241; 361/679.02, 724, 725; 439/135, 489, 540.1  
See application file for complete search history.

(56) **References Cited**

**U.S. PATENT DOCUMENTS**

D287,243	S	*	12/1986	Tope	.....	D13/164
D311,920	S	*	11/1990	Fuller et al.	.....	D14/257
D337,754	S	*	7/1993	Peterson et al.	.....	D13/164
D344,684	S	*	3/1994	Metz et al.	.....	D10/103
D357,461	S	*	4/1995	Zaplatynsky et al.	.....	D13/177
D382,880	S	*	8/1997	Cienkus et al.	.....	D14/240
D416,544	S	*	11/1999	Jordan	.....	D13/162
D424,526	S	*	5/2000	Yang	.....	D13/177
7,355,115	B2	*	4/2008	Liang	.....	174/50
7,595,459	B2	*	9/2009	Oh	.....	200/333

D601,514	S	*	10/2009	Lin	.....	D13/177
D619,108	S	*	7/2010	Lin	.....	D13/177
D651,596	S	*	1/2012	Cheng	.....	D14/257
8,253,015	B2	*	8/2012	Chang	.....	174/50
8,410,362	B1	*	4/2013	Lin	.....	174/66
2007/0151836	A1	*	7/2007	Oh	.....	200/314
2009/0314508	A1	*	12/2009	Yang	.....	174/59
2013/0107464	A1	*	5/2013	Lin	.....	361/725

\* cited by examiner

*Primary Examiner* — Selina Sikder

(74) *Attorney, Agent, or Firm* — Ming Chow; Sinorica, LLC

(57) **CLAIM**

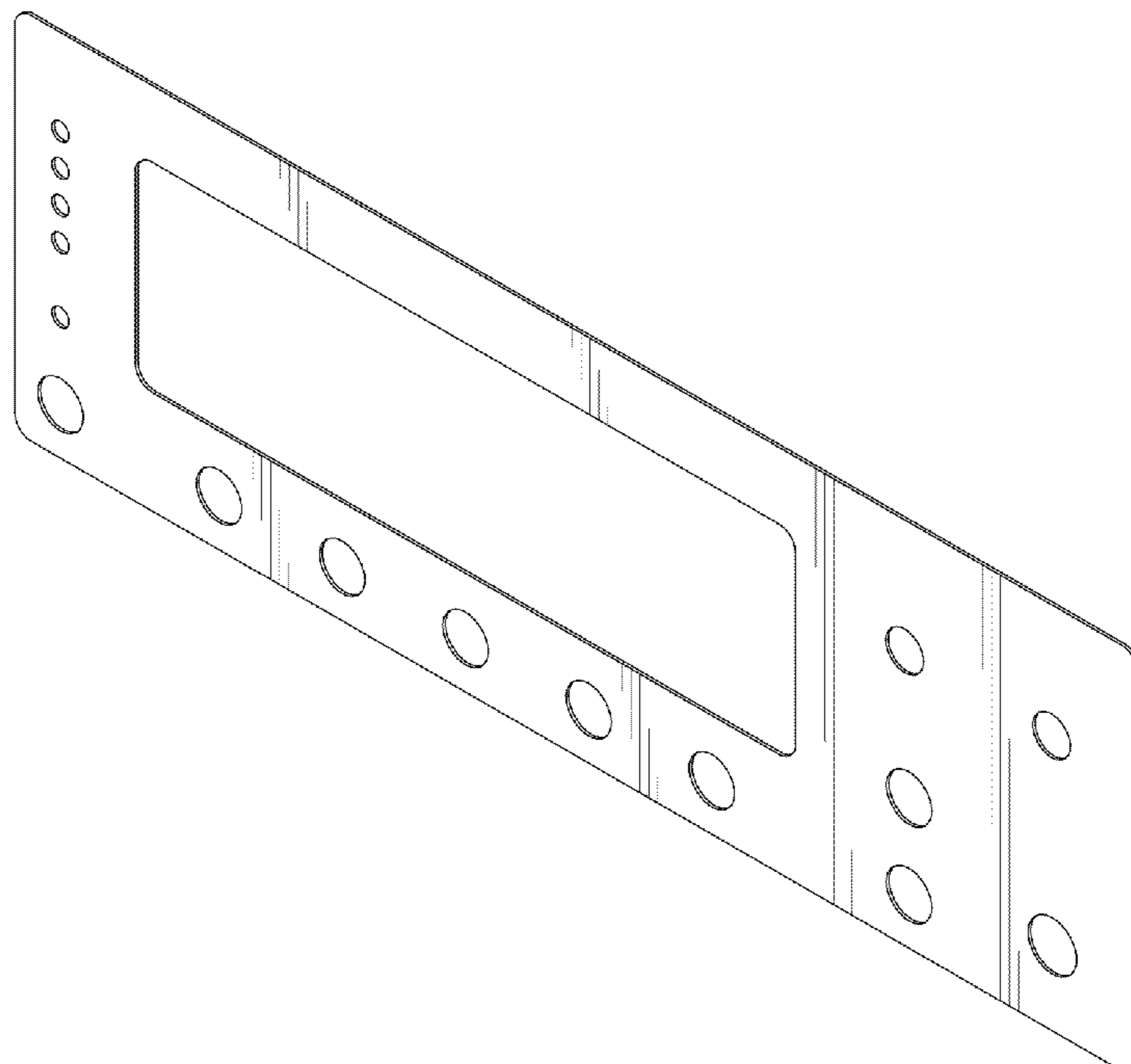
I claim the ornamental design for a control panel for AC/DC power supply, as shown and described.

**DESCRIPTION**

FIG. 1 is a front perspective view of a control panel for AC/DC power supply showing my new design; FIG. 2 is a front elevational view thereof; FIG. 3 is a rear elevational view thereof; FIG. 4 is a left side elevational view thereof; FIG. 5 is a right side elevational view thereof; FIG. 6 is a top plan view thereof; FIG. 7 is a bottom plan view thereof; and, FIG. 8 is a front end view of the control panel for AC/DC power supply in accordance with my design, shown in its environment thereof.

The broken lines are for the purpose of illustrating environmental structure and form no part of the claimed design.

**1 Claim, 5 Drawing Sheets**



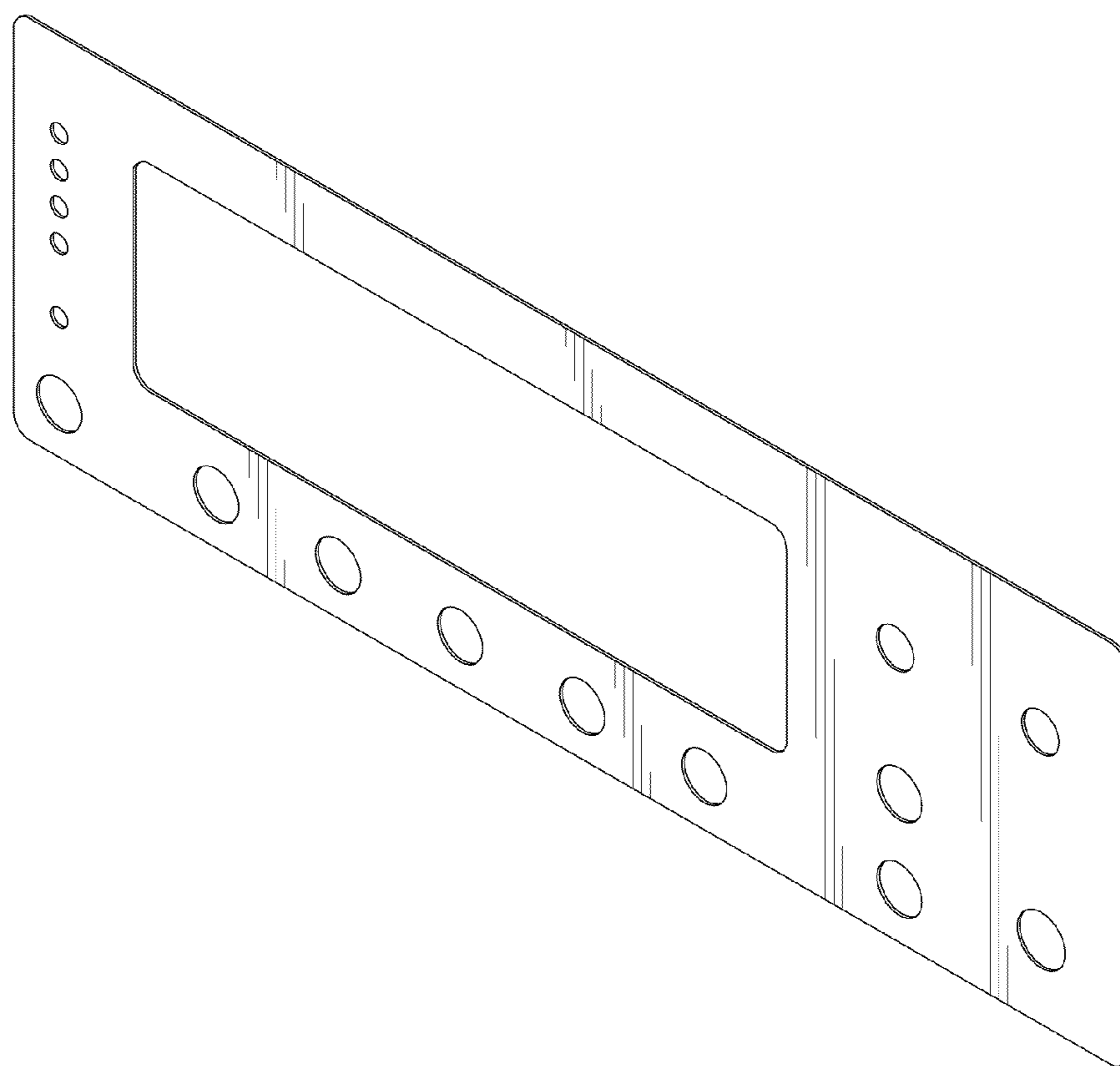


FIG. 1

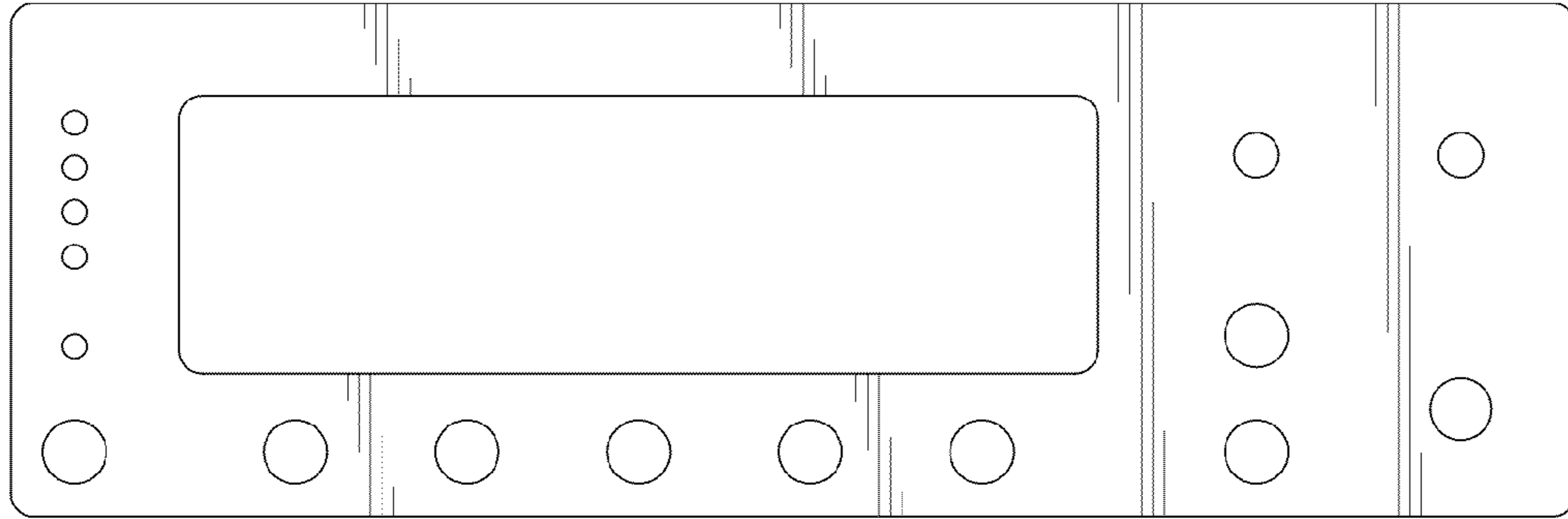


FIG. 2

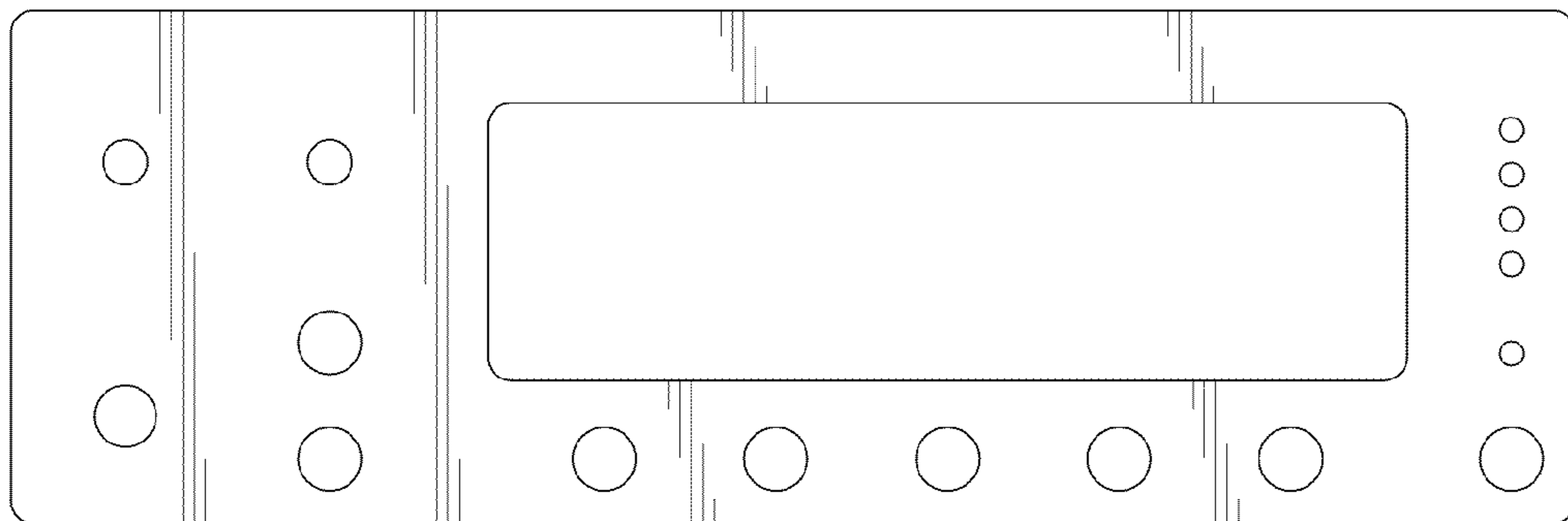


FIG. 3



FIG. 4



FIG. 5

---

**FIG. 6**

---

**FIG. 7**

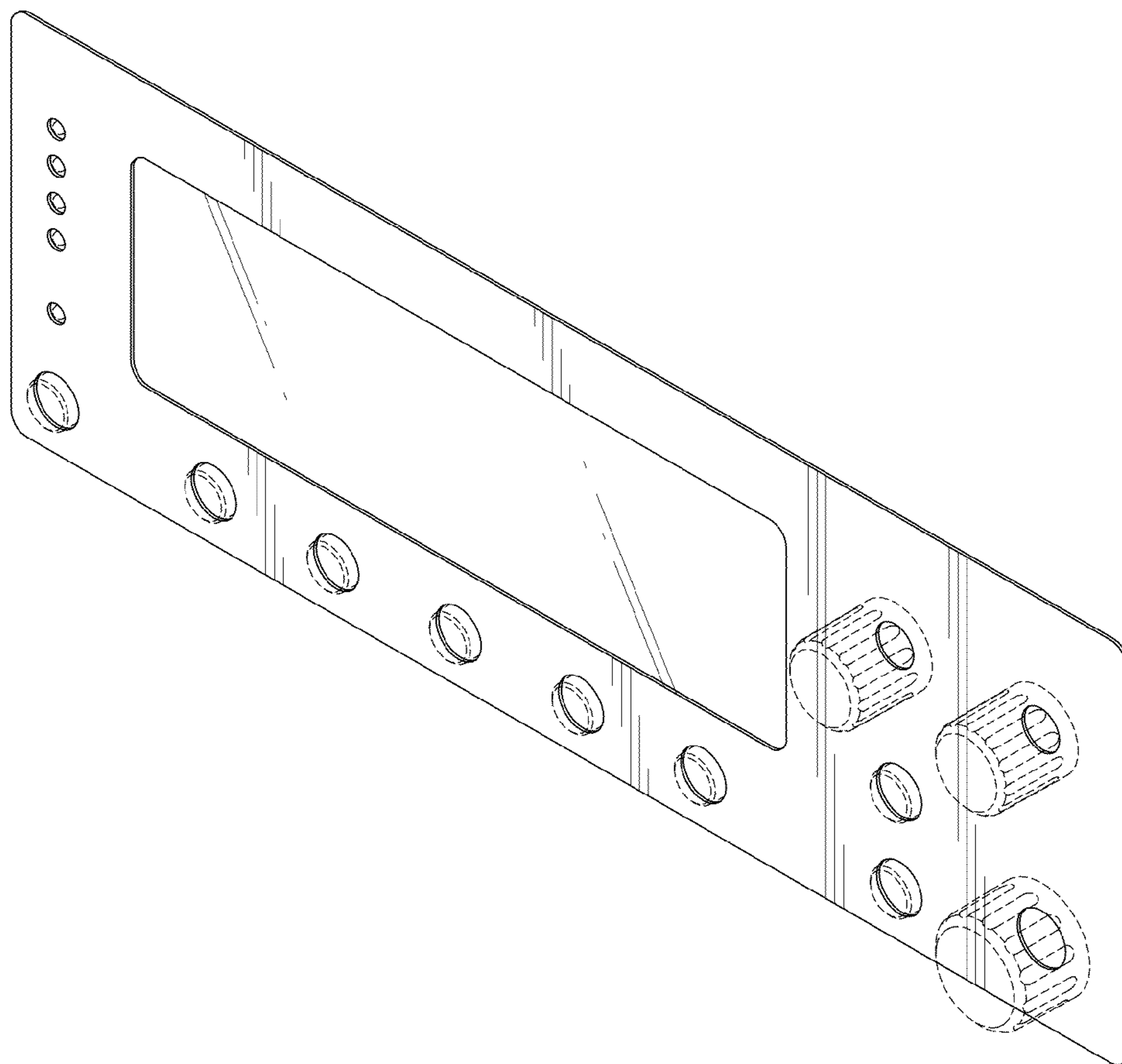


FIG. 8