

US00D687387S

(12) **United States Design Patent**
Besana et al.

(10) **Patent No.:** **US D687,387 S**
(45) **Date of Patent:** **** Aug. 6, 2013**

(54) **CIRCUIT BREAKERS**

(75) Inventors: **Stefano Besana**, Terno d'Isola (IT);
Lucio Azzola, Bergamo (IT)

(73) Assignee: **ABB S.p.A.**, Milan (IT)

(**) Term: **14 Years**

(21) Appl. No.: **29/383,747**

(22) Filed: **Jan. 21, 2011**

Related U.S. Application Data

(62) Division of application No. 29/341,449, filed on Aug. 5, 2009, now Pat. No. Des. 663,446.

(30) **Foreign Application Priority Data**

Feb. 6, 2009 (EM) 001083992

(51) **LOC (9) Cl.** **13-03**

(52) **U.S. Cl.**
USPC **D13/160**

(58) **Field of Classification Search**
USPC D13/158, 159, 160, 161, 162, 184,
D13/199; 200/43.14, 50.01, 50.21-50.23,
200/51 R, 293, 400, 401; 361/42, 44, 45,
361/50, 71, 115, 608, 634
See application file for complete search history.

(56) **References Cited**

U.S. PATENT DOCUMENTS

4,728,757 A	3/1988	Buxton et al.	
D310,822 S *	9/1990	Danek	D13/162.1
D315,333 S	3/1991	Barbier et al.	
D318,460 S *	7/1991	Heath et al.	D13/160
D318,461 S	7/1991	Hasegawa et al.	
D319,627 S	9/1991	Smith et al.	
D325,727 S	4/1992	Murata et al.	
D334,174 S	3/1993	Hosogai et al.	
5,296,664 A	3/1994	Crookston et al.	

(Continued)

FOREIGN PATENT DOCUMENTS

WO DM-055 273 4/2001

OTHER PUBLICATIONS

ABB SACE L.V. SACE Emax. A System that's open to any solution, 604060/011 en, Jul. 1999.

(Continued)

Primary Examiner — Thomas Johannes

(74) *Attorney, Agent, or Firm* — Novak Druce Connolly Bove + Quigg LLP

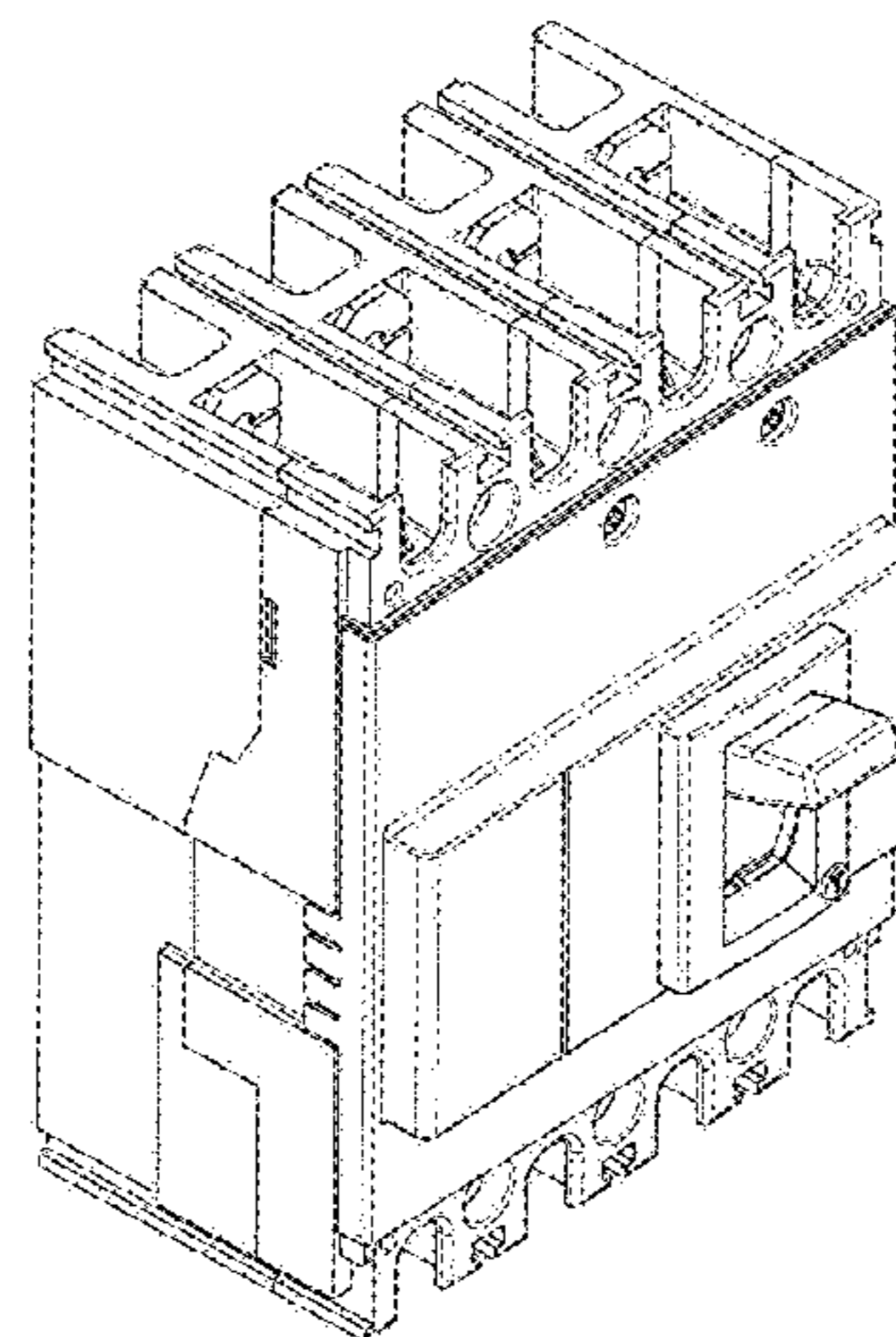
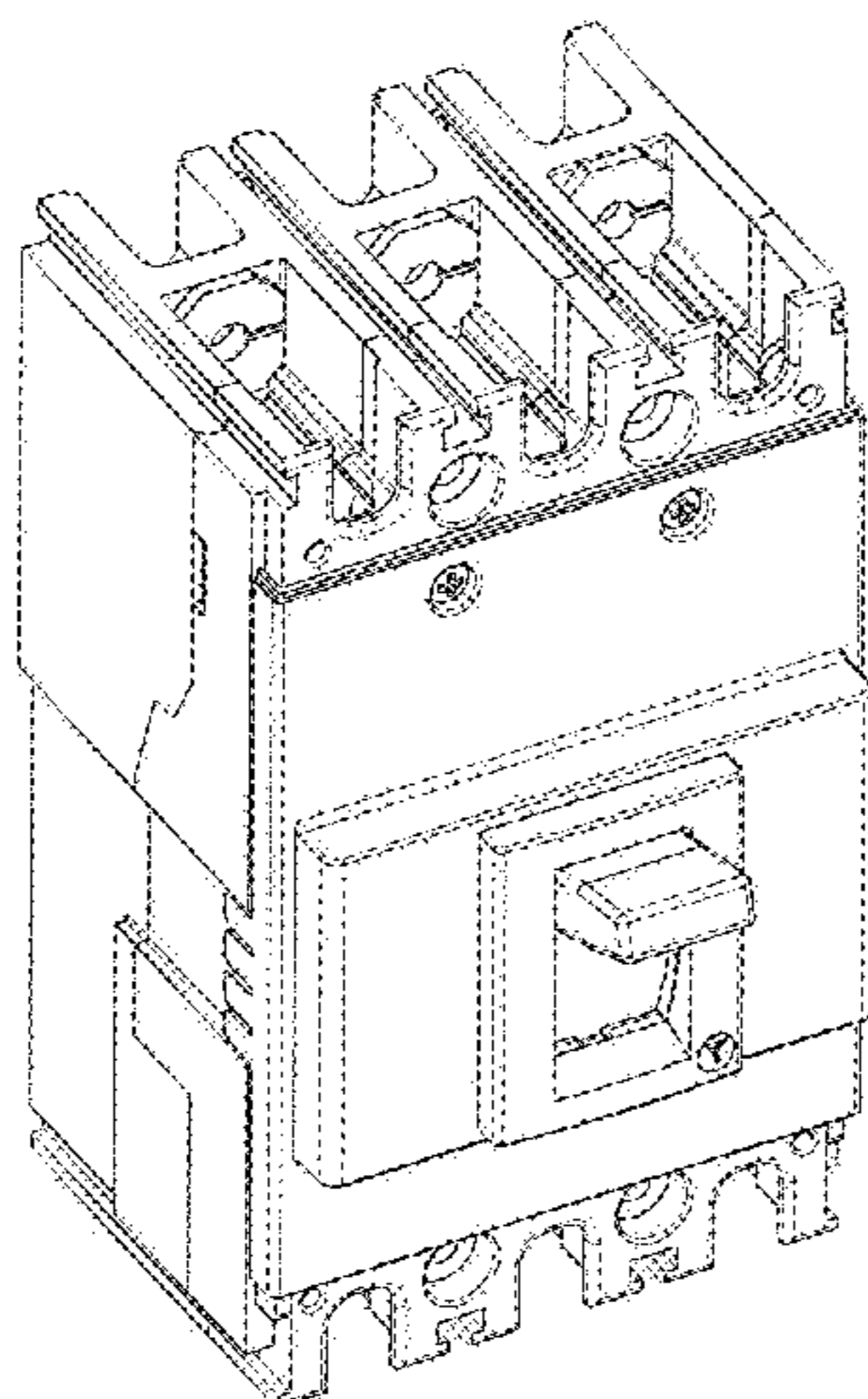
(57) **CLAIM**

The ornamental design for circuit breakers, as shown and described.

DESCRIPTION

FIG. 1 is a perspective view of a first embodiment of the new design;
FIG. 2 is a front view thereof;
FIG. 3 is a rear view thereof;
FIG. 4 is a top view thereof;
FIG. 5 is a bottom view thereof;
FIG. 6 is a left view thereof;
FIG. 7 is a right view thereof;
FIG. 8 is a perspective view of a second embodiment of the new design;
FIG. 9 is a front view thereof;
FIG. 10 is a rear view thereof;
FIG. 11 is a top view thereof;
FIG. 12 is a bottom view thereof;
FIG. 13 is a left view thereof; and,
FIG. 14 is a right view thereof.
The broken line portions of the figure drawings is included to show unclaimed subject matter only and forms no part of the claimed design.

1 Claim, 14 Drawing Sheets



US D687,387 S

Page 2

U.S. PATENT DOCUMENTS

5,362,933 A 11/1994 Kutsche et al.
D359,948 S 7/1995 Merlin
5,587,570 A 12/1996 Kelaita, Jr. et al.
5,610,375 A 3/1997 Sinthomez
D378,914 S 4/1997 Smith et al.
5,717,178 A 2/1998 Turner et al.
D402,267 S 12/1998 M'Sadoques
5,902,973 A 5/1999 Ramey et al.
6,008,459 A 12/1999 Faber et al.
6,078,017 A 6/2000 Blessitt et al.
6,177,641 B1 1/2001 Morel et al.
D442,146 S 5/2001 Greenberg et al.
6,361,848 B1 3/2002 Katsube et al.
6,388,867 B1 5/2002 Rakus et al.
6,445,559 B1 9/2002 Phillips et al.
6,489,577 B2 12/2002 Kurata
6,512,433 B1 1/2003 Bouchard et al.
D498,464 S 11/2004 Kim
D499,700 S 12/2004 Raabe et al.
D499,701 S 12/2004 Kim
D506,185 S 6/2005 Kim
D511,502 S * 11/2005 Kim D13/160
7,064,283 B2 6/2006 Deylitz et al.

D535,626 S 1/2007 Azzola et al.
D547,729 S 7/2007 Azzola et al.
D547,730 S 7/2007 Azzola et al.
D551,629 S 9/2007 Azzola et al.
D562,777 S 2/2008 Azzola et al.
D576,111 S 9/2008 Azzola et al.
D585,839 S 2/2009 Azzola et al.
D587,658 S 3/2009 Azzola et al.
D593,506 S 6/2009 Azzola et al.
D599,301 S 9/2009 Azzola et al.
D611,002 S 3/2010 Azzola et al.
D616,832 S 6/2010 Corteel
2001/0022713 A1 9/2001 Gimenez et al.
2001/0025773 A1 10/2001 Rane et al.
2004/0045796 A1 3/2004 Azzola et al.
2005/0109597 A1 5/2005 Etscheidt et al.
2006/0118397 A1 6/2006 Dahl et al.

OTHER PUBLICATIONS

Terasaki Electric, Revolutino in circuit breaker technology, 35 pp.
(date unknown).

* cited by examiner

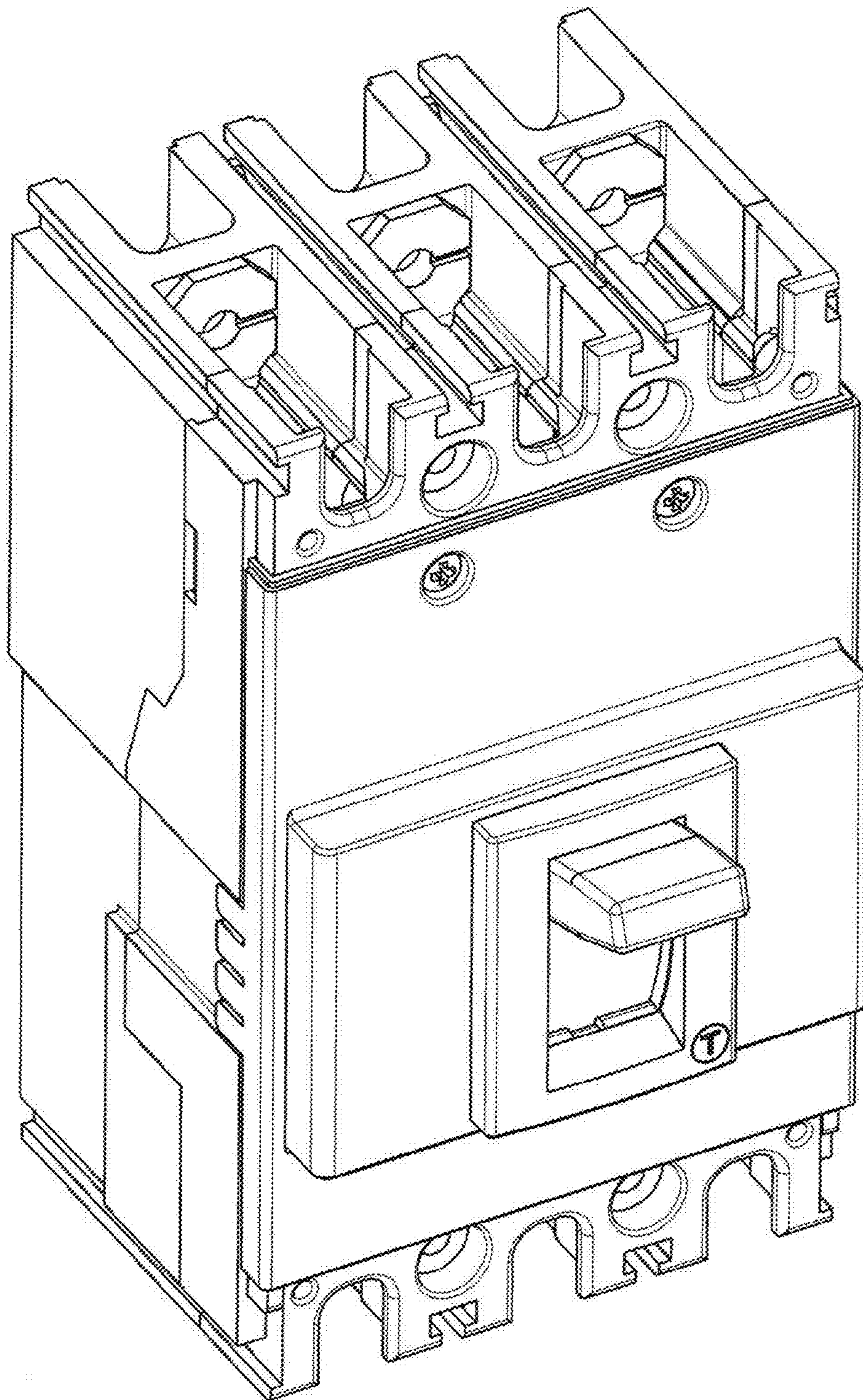


FIG. 1

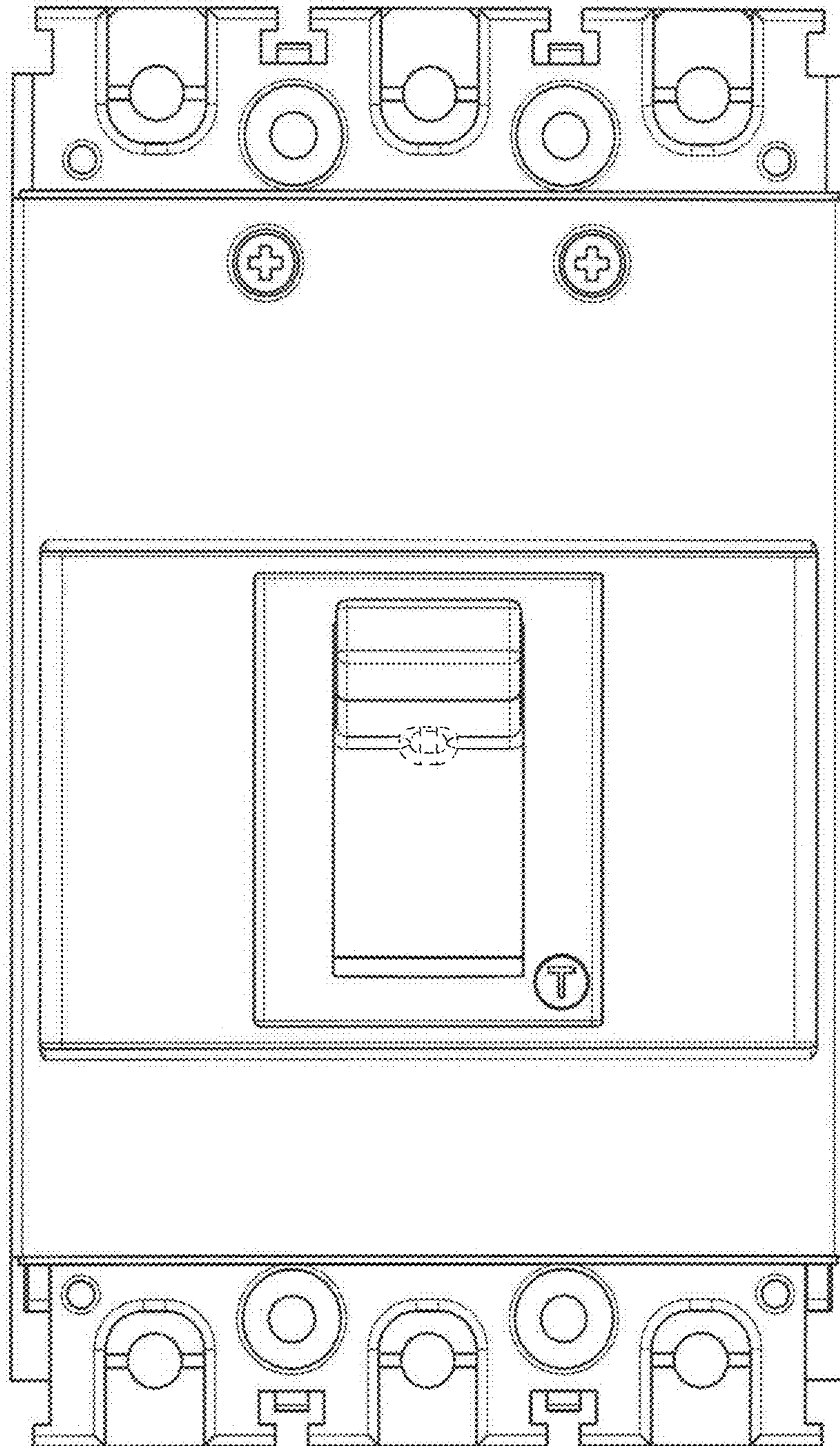


FIG. 2

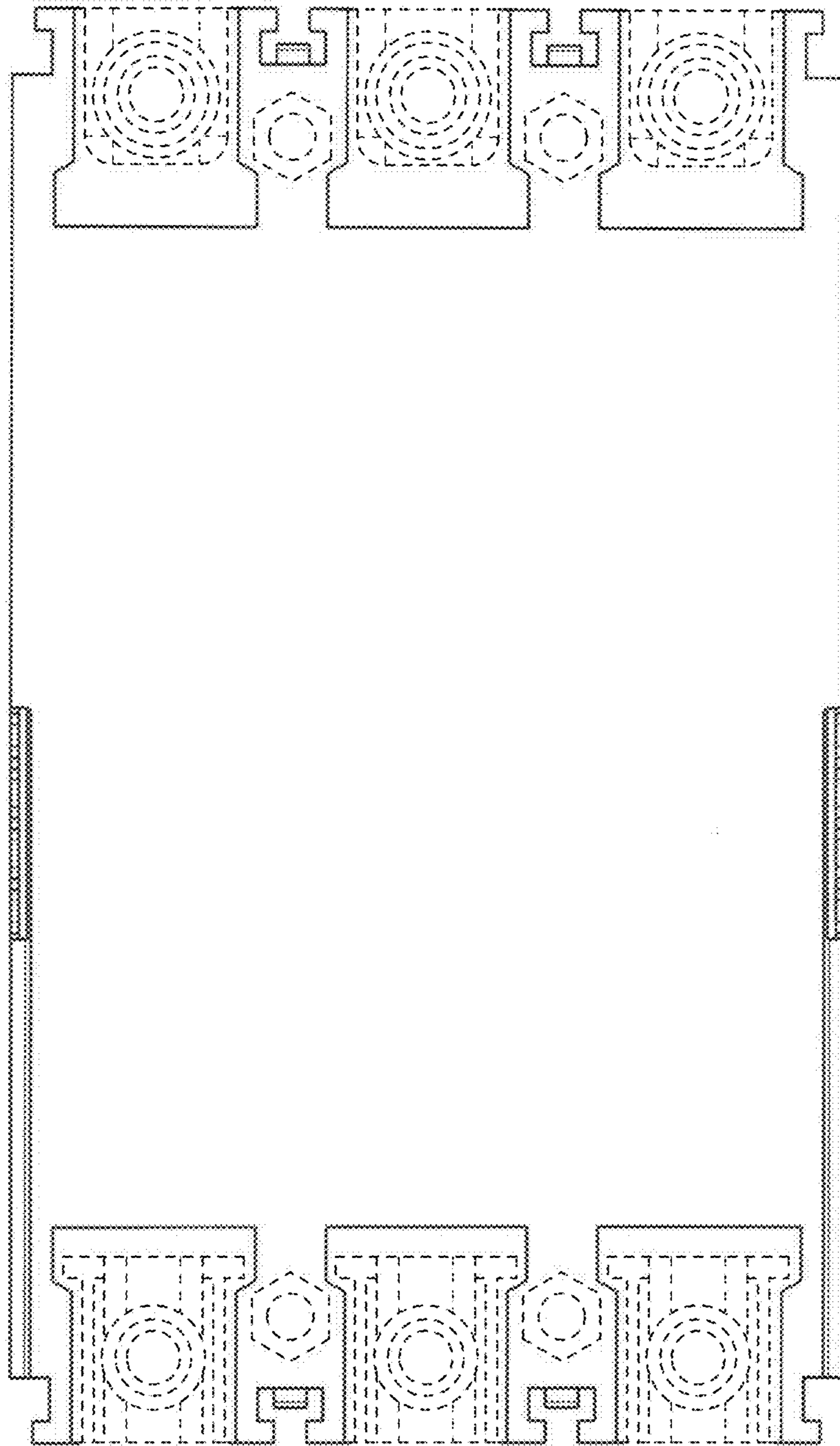


FIG. 3

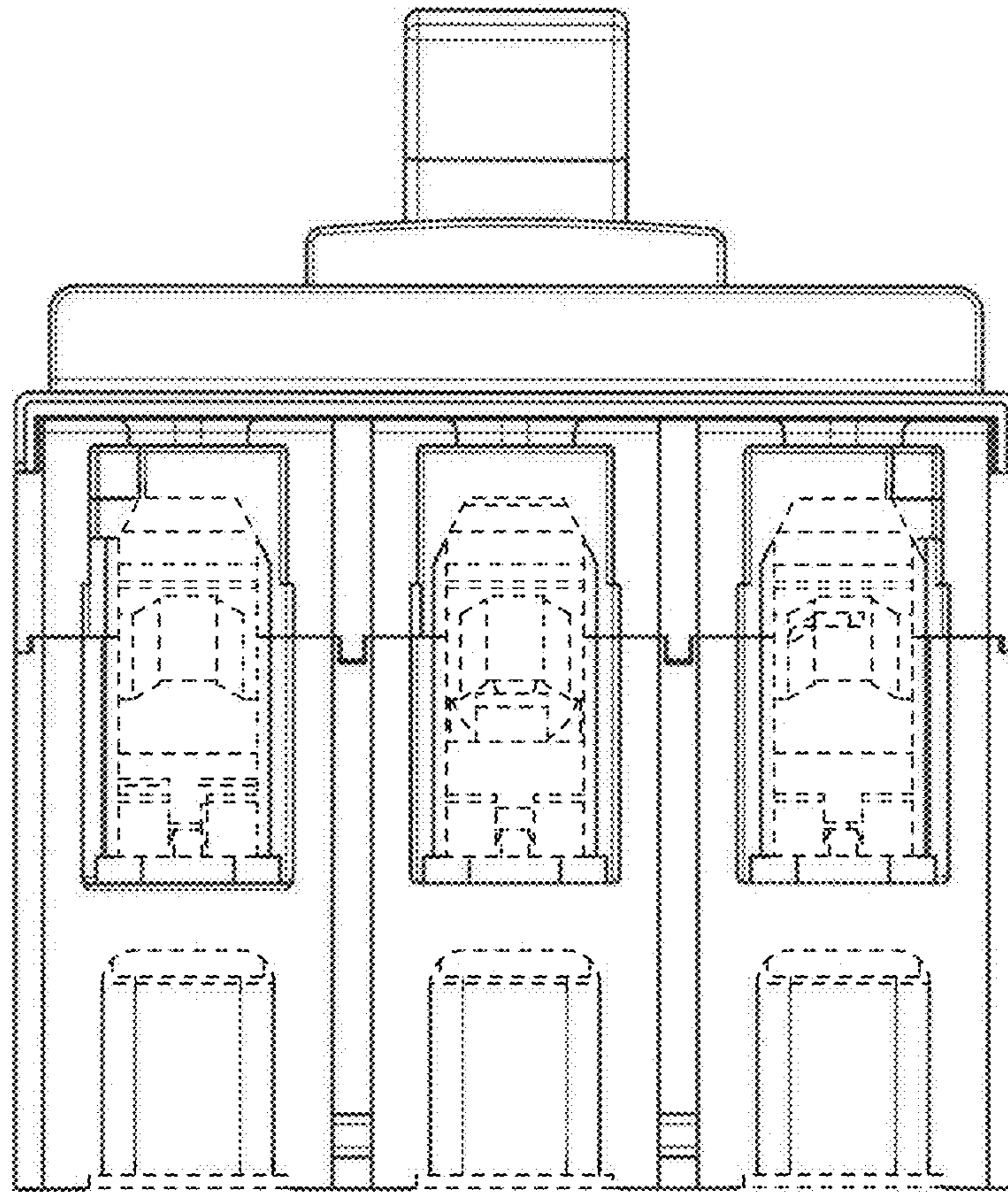


FIG. 4

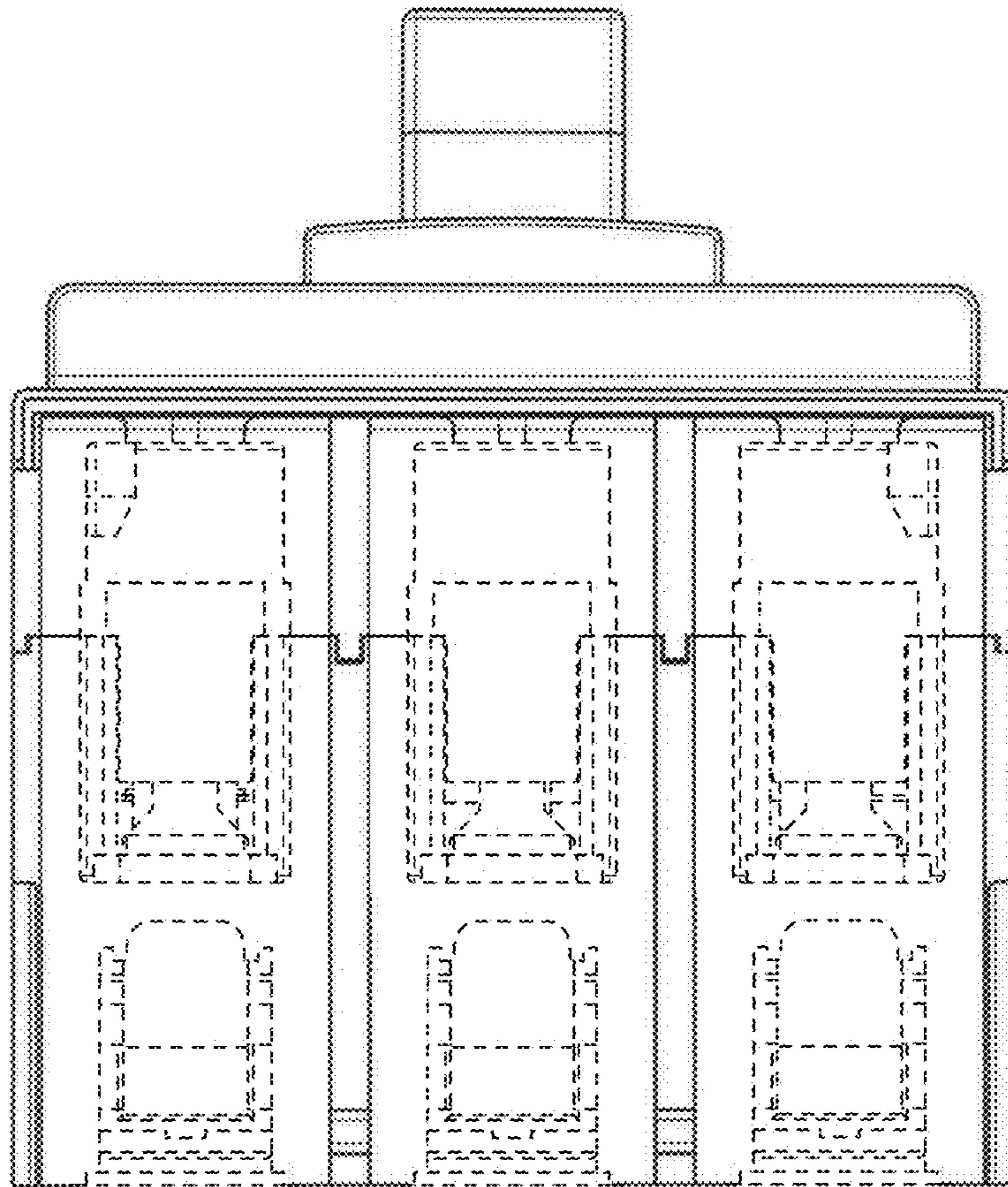


FIG. 5

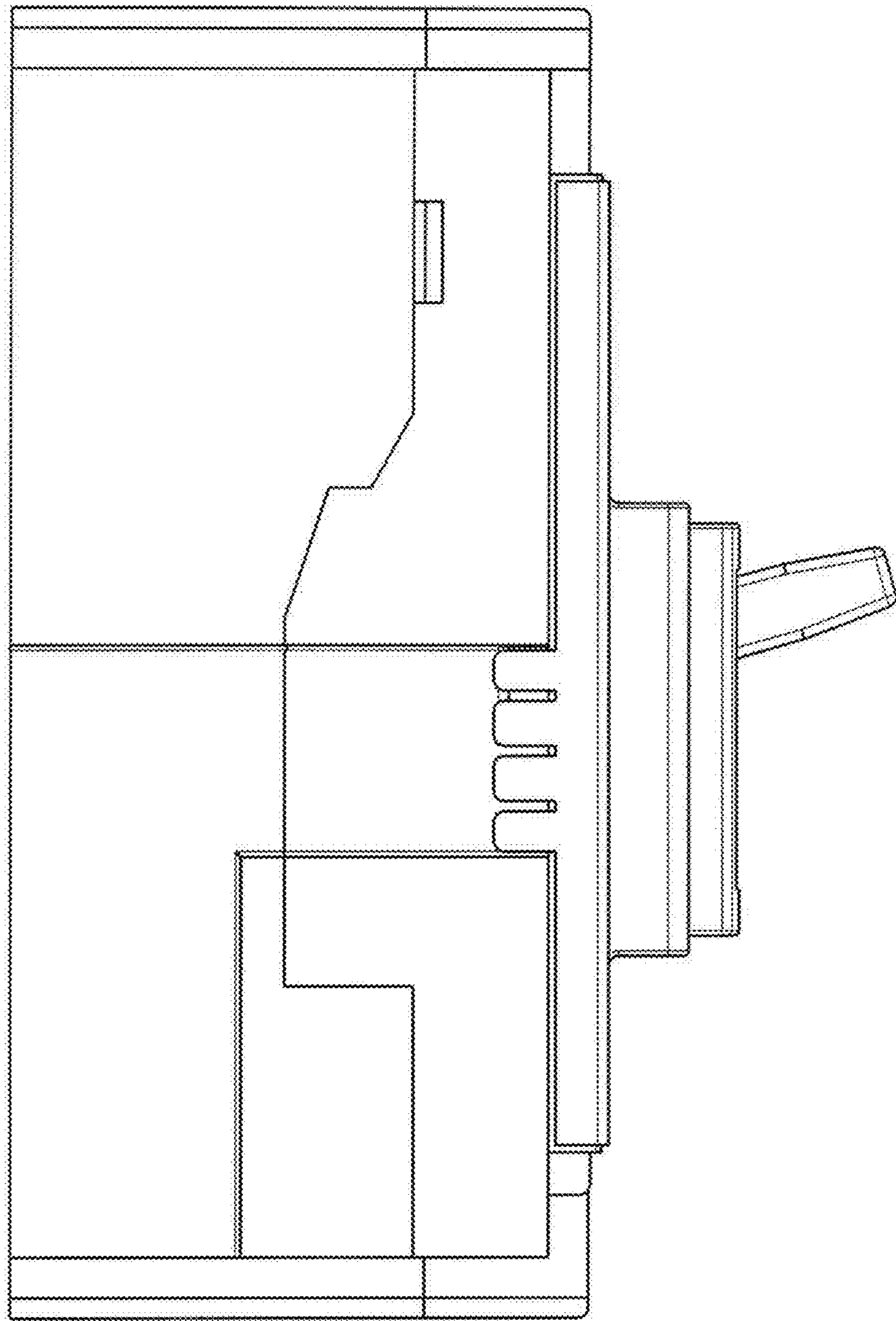


FIG. 6

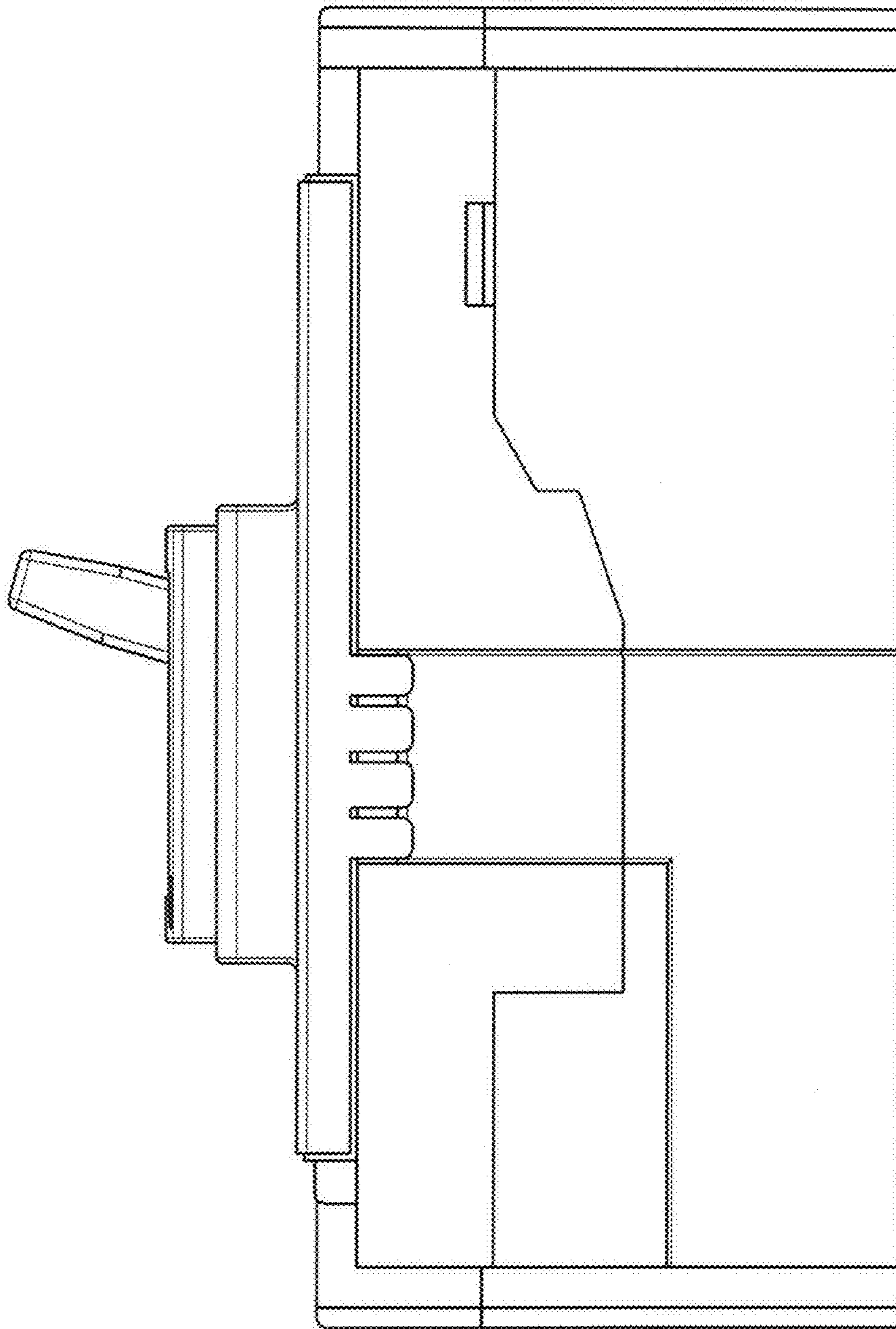


FIG. 7

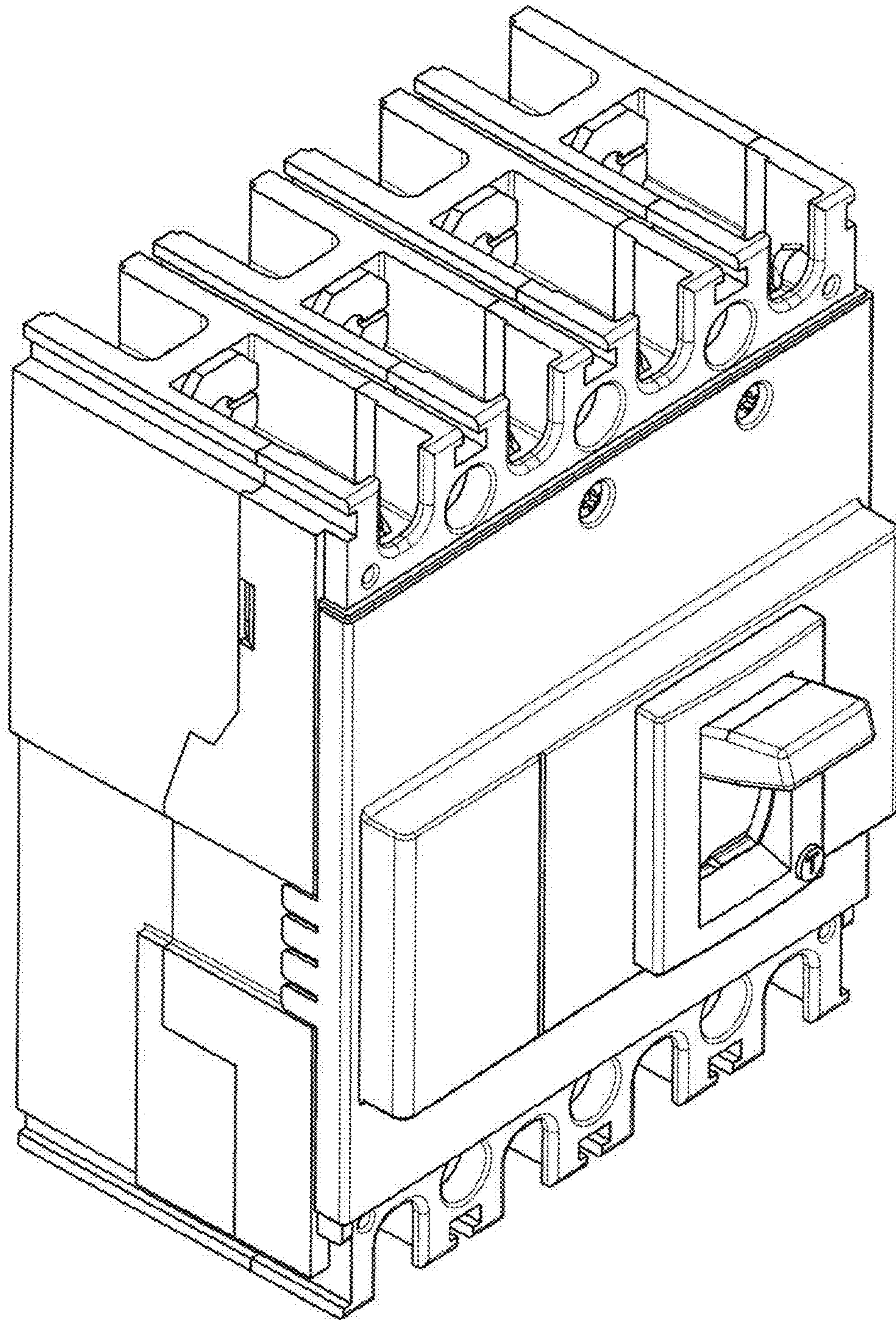


FIG. 8

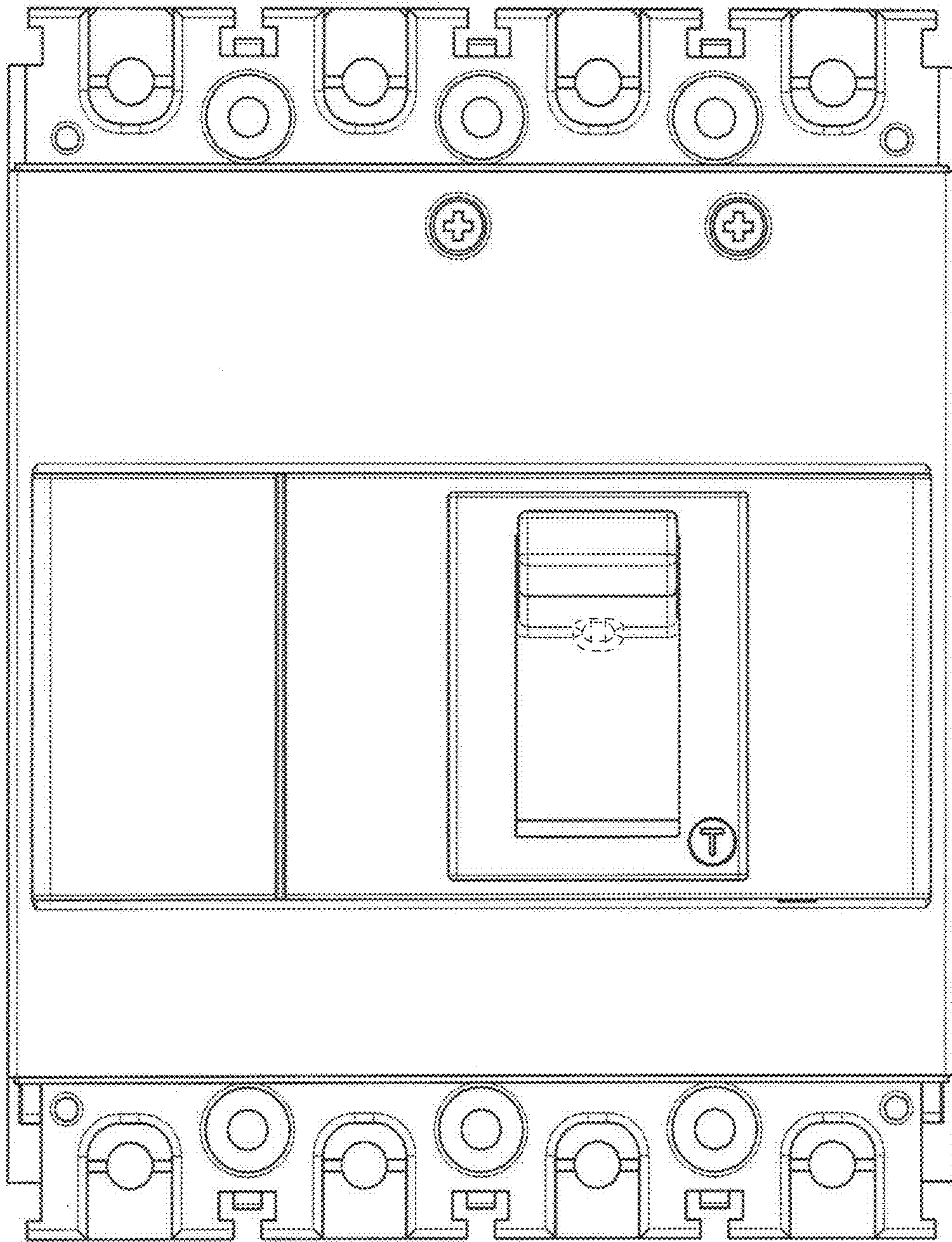


FIG. 9

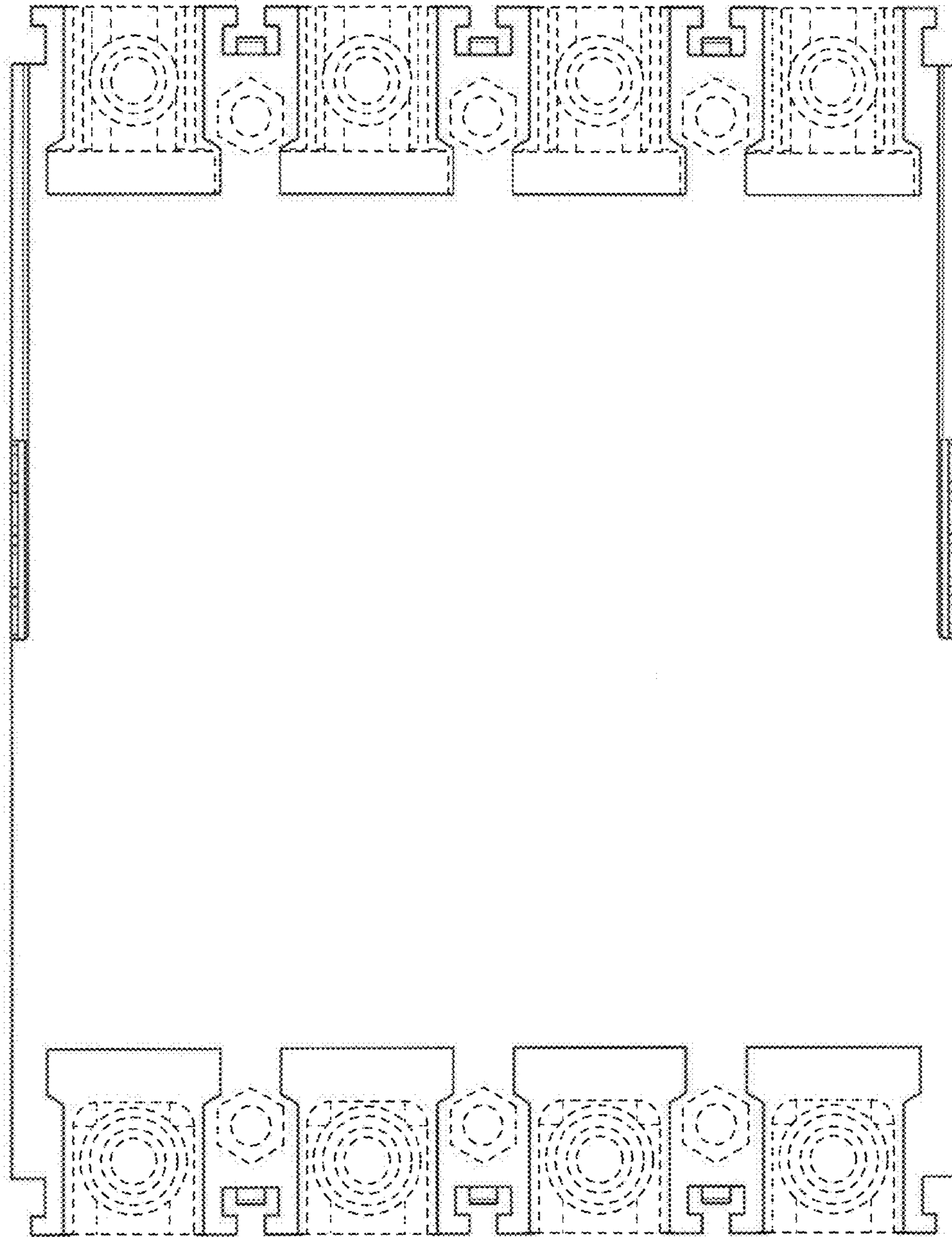


FIG. 10

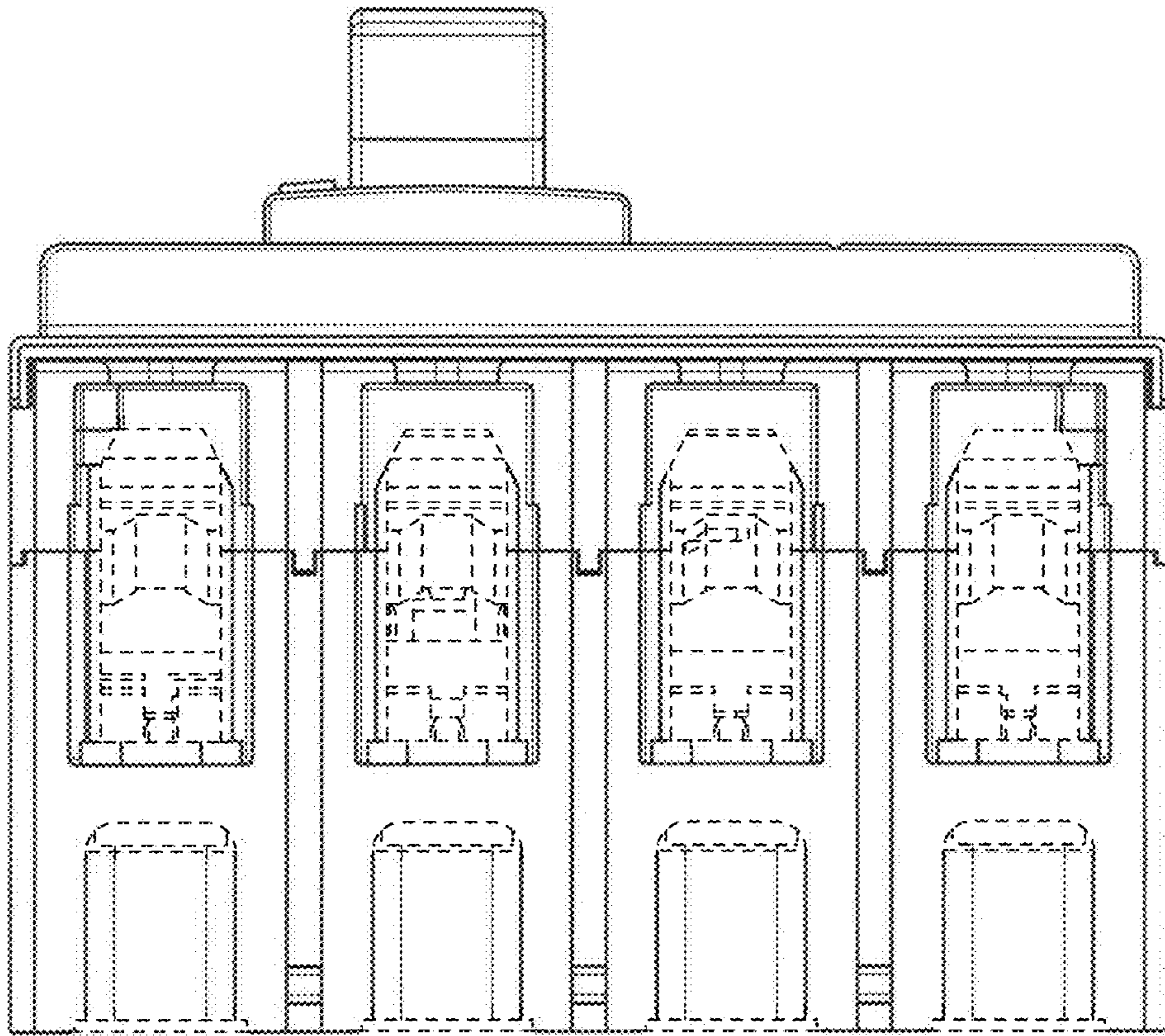


FIG. 11

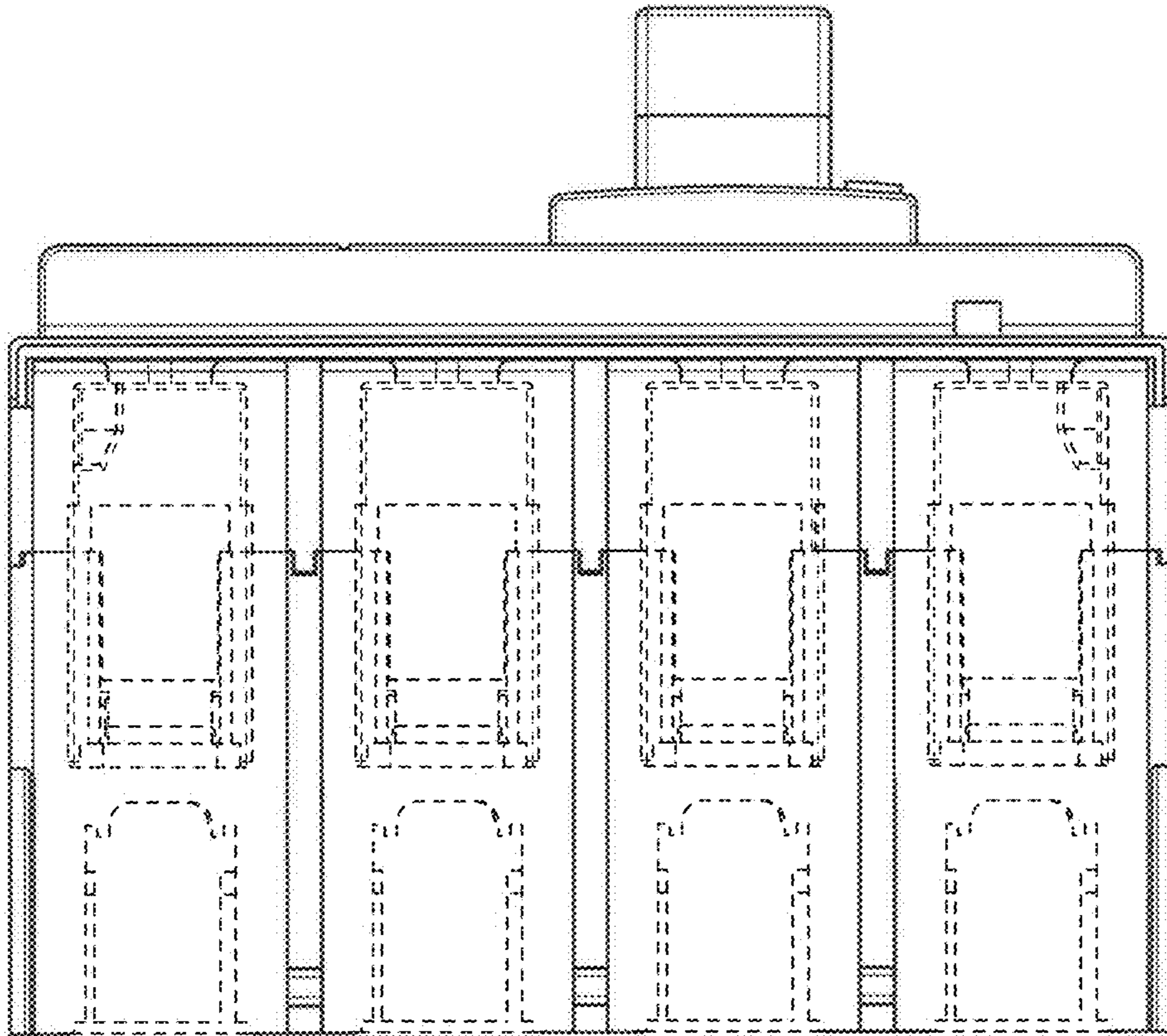


FIG. 12

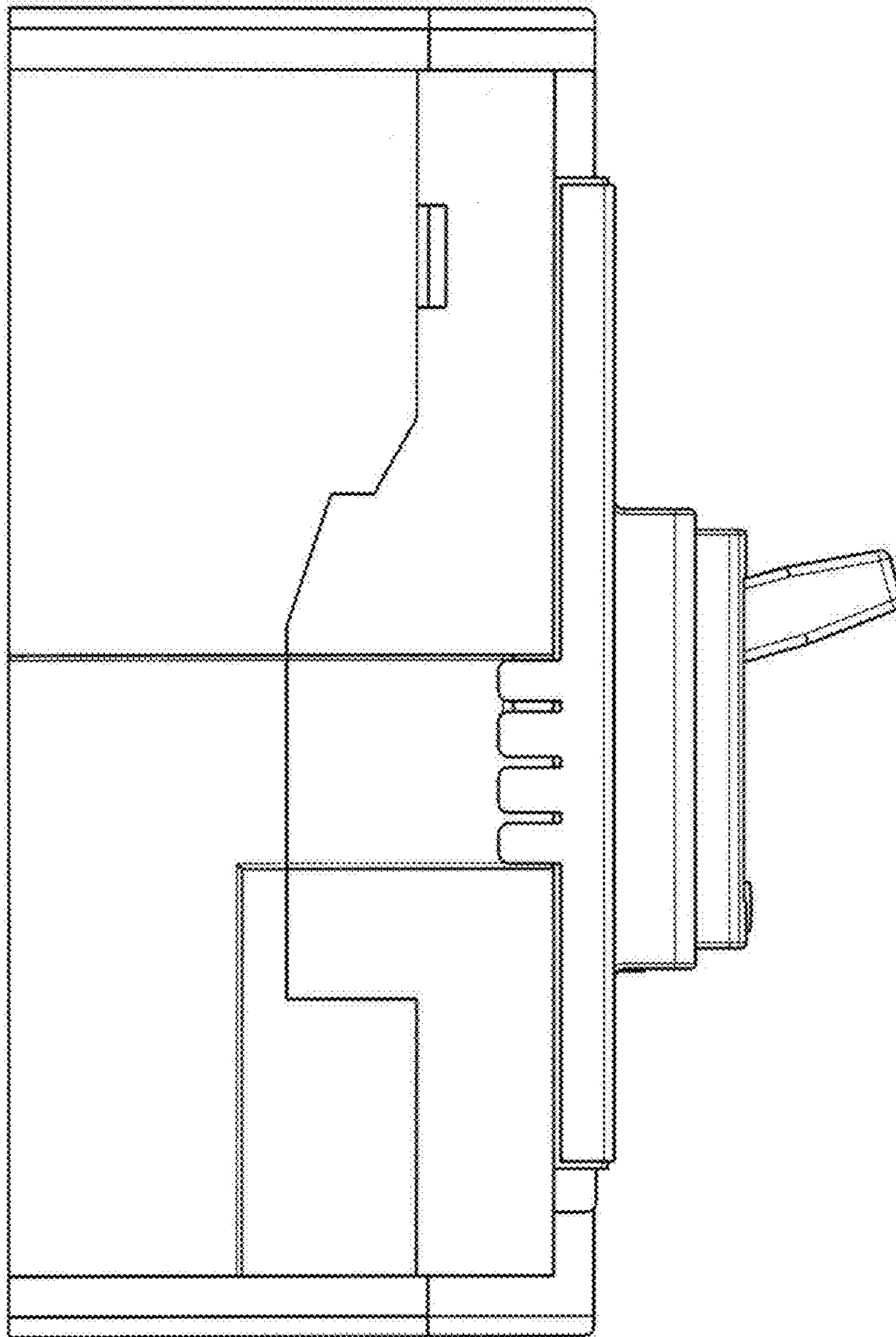


FIG. 13

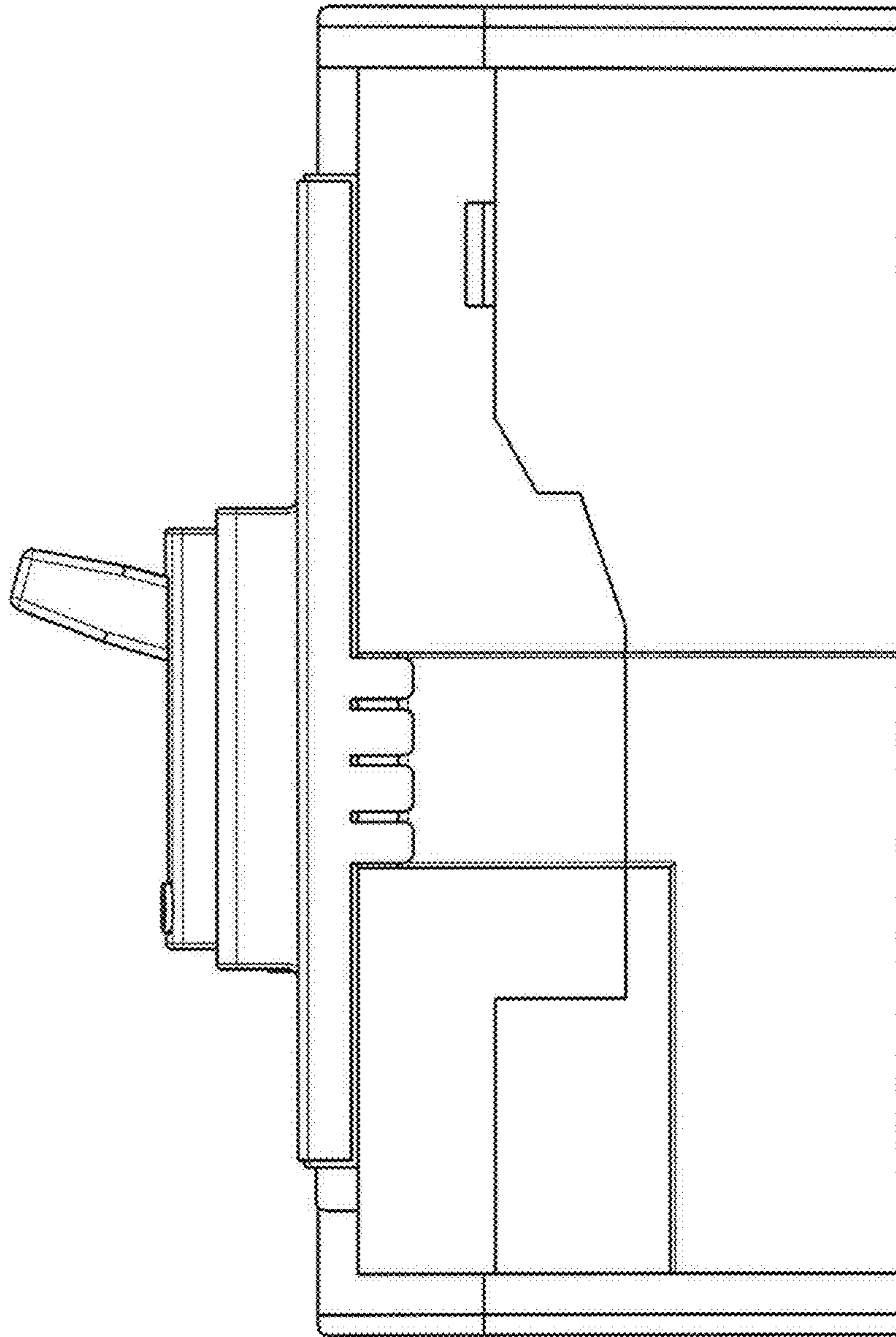


FIG. 14