



US00D687386S

(12) **United States Design Patent**
Uitto et al.

(10) **Patent No.:** **US D687,386 S**

(45) **Date of Patent:** **** Aug. 6, 2013**

(54) **SWITCH**

(75) Inventors: **Oskari Uitto**, Vaasa (FI); **Rainer Kolmonen**, Laihia (FI); **Aki Suutarinen**, Vaasa (FI)

(73) Assignee: **ABB Oy**, Helsinki (FI)

(**) Term: **14 Years**

(21) Appl. No.: **29/405,407**

(22) Filed: **Nov. 2, 2011**

(30) **Foreign Application Priority Data**

May 3, 2011	(EM)	1858234-0001
May 3, 2011	(EM)	1858234-0002
May 3, 2011	(EM)	1858234-0003
May 3, 2011	(EM)	1858234-0004

(51) **LOC (9) Cl.** **13-03**

(52) **U.S. Cl.**
USPC **D13/158**

(58) **Field of Classification Search**
USPC D13/110, 123, 147, 151, 158-177,
D13/184; 200/5 R, 295, 308, 310, 313, 314,
200/329, 340, 1 R, 6 R, 5 A, 296, 302.3,
200/315, 330, 334, 339, 341, 520, 525, 553;
335/131-133, 196, 202, 262, 251; 439/491,
439/535

See application file for complete search history.

(56) **References Cited**

U.S. PATENT DOCUMENTS

7,679,018	B2 *	3/2010	Kolmonen et al.	200/564
7,863,530	B2 *	1/2011	Mattlar et al.	200/50.32
D642,991	S *	8/2011	Mattlar et al.	D13/158
D653,624	S *	2/2012	Mattlar et al.	D13/158

(Continued)

Primary Examiner — Thomas Johannes

(74) *Attorney, Agent, or Firm* — Buchanan Ingersoll & Rooney PC

(57) **CLAIM**

The ornamental design for a switch, as shown and described.

DESCRIPTION

FIG. 1 is a perspective view of a switch according to a first embodiment of our new design.

FIG. 2 is a front elevational view thereof.

FIG. 3 is a rear elevational view thereof.

FIG. 4 is a left side elevational view thereof.

FIG. 5 is a right side elevational view thereof.

FIG. 6 is a top plan view thereof.

FIG. 7 is a bottom plan view thereof.

FIG. 8 is a perspective view of a switch according to a second embodiment of our new design.

FIG. 9 is a front elevational view thereof.

FIG. 10 is a rear elevational view thereof.

FIG. 11 is a left side elevational view thereof.

FIG. 12 is a right side elevational view thereof.

FIG. 13 is a top plan view thereof.

FIG. 14 is a bottom plan view thereof.

FIG. 15 is a perspective view of a switch according to a third embodiment of our new design.

FIG. 16 is a front elevational view thereof.

FIG. 17 is a rear elevational view thereof.

FIG. 18 is a left side elevational view thereof.

FIG. 19 is a right side elevational view thereof.

FIG. 20 is a top plan view thereof.

FIG. 21 is a bottom plan view thereof.

FIG. 22 is a perspective view of a switch according to a fourth embodiment of our new design.

FIG. 23 is a front elevational view thereof.

FIG. 24 is a rear elevational view thereof.

FIG. 25 is a left side elevational view thereof.

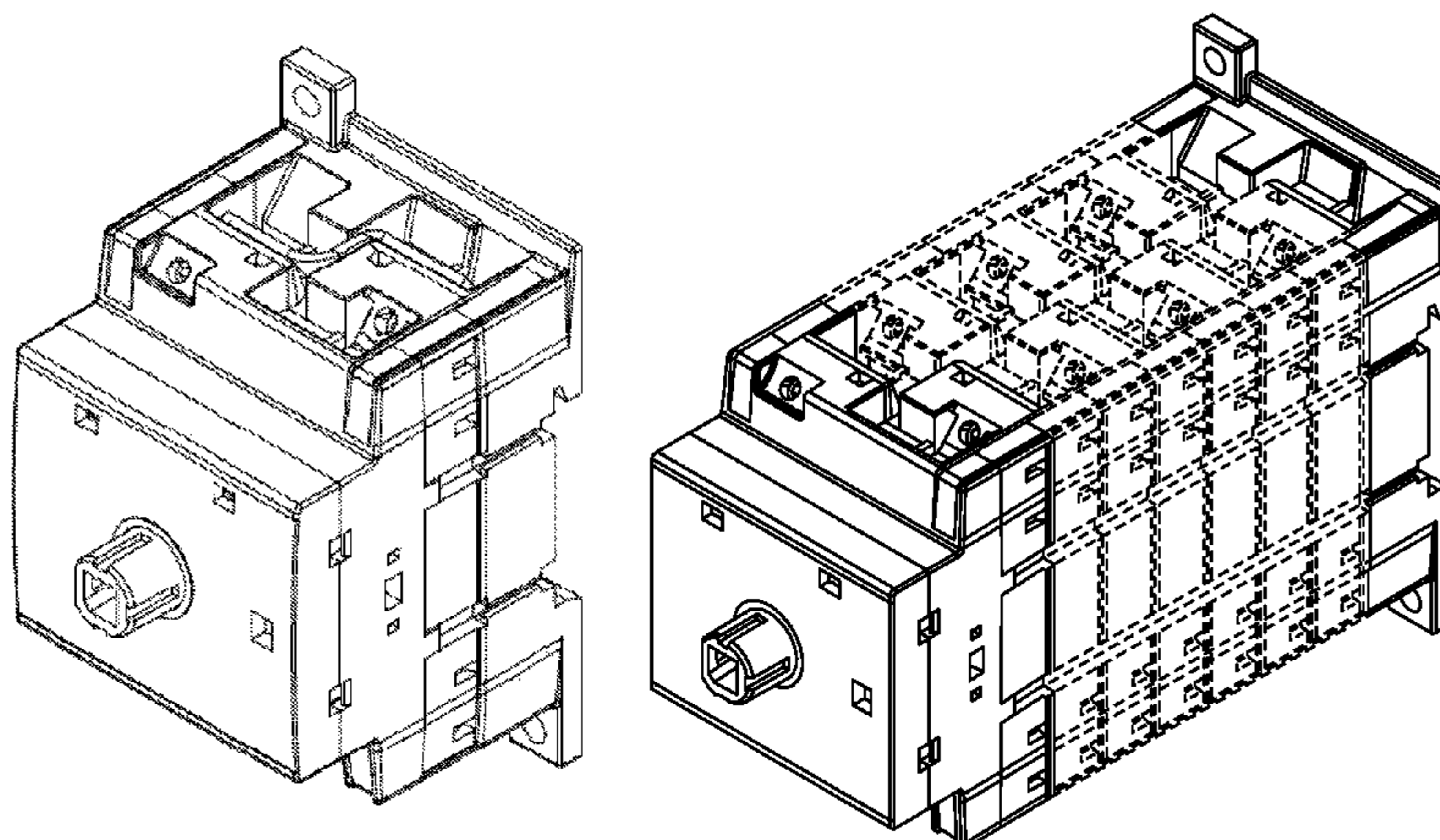
FIG. 26 is a right side elevational view thereof.

FIG. 27 is a top plan view thereof; and,

FIG. 28 is a bottom plan view thereof.

The broken line portion of the figure drawings is included to show unclaimed subject matter only and forms no part of the claimed design.

1 Claim, 28 Drawing Sheets



US D687,386 S

Page 2

U.S. PATENT DOCUMENTS		D655,680 S *	3/2012	Mattlar et al.	D13/158
D654,441 S *	2/2012	Mattlar et al.	D13/158		
D654,878 S *	2/2012	Mattlar et al.	D13/158	* cited by examiner	

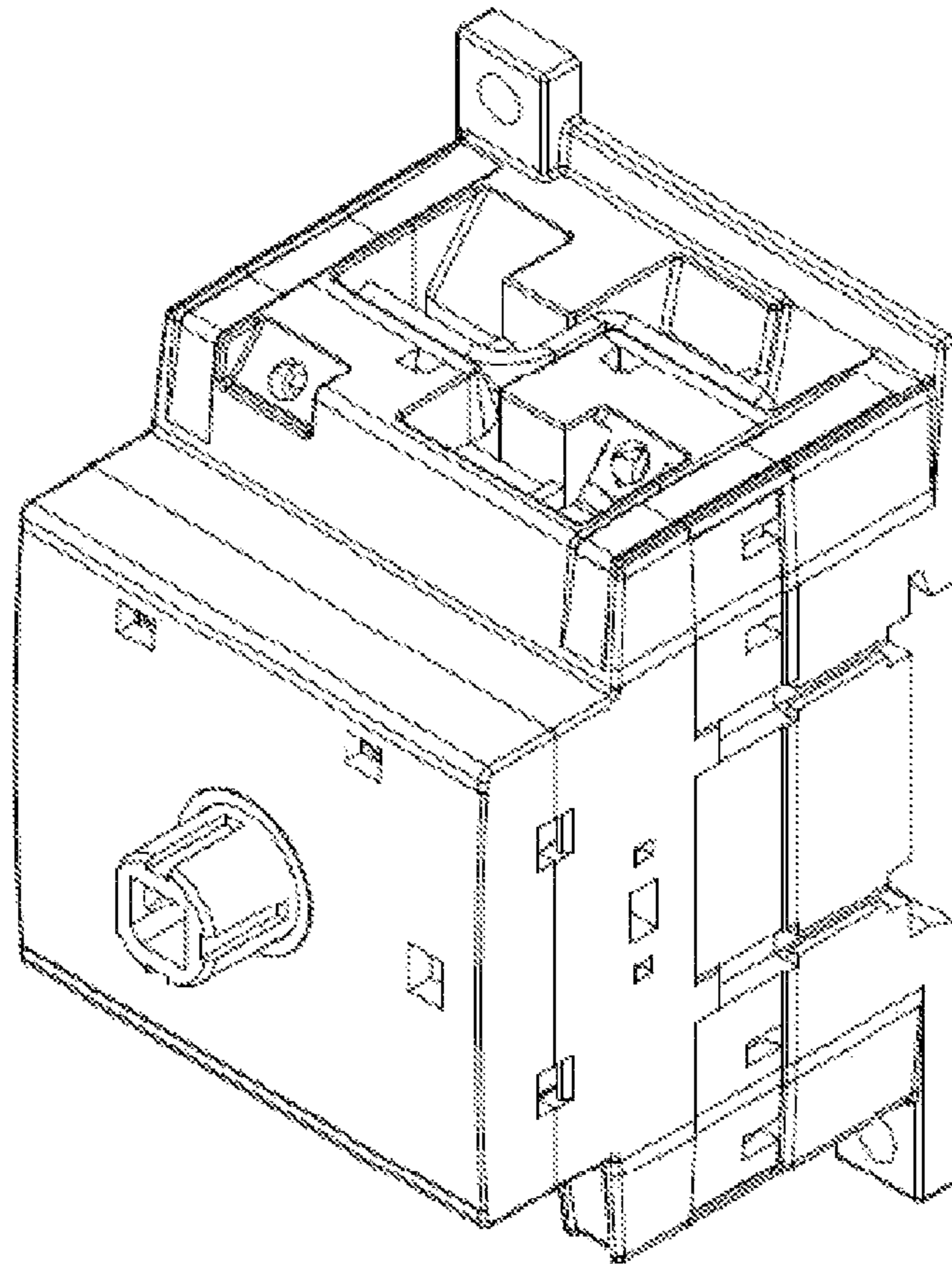


FIG. 1

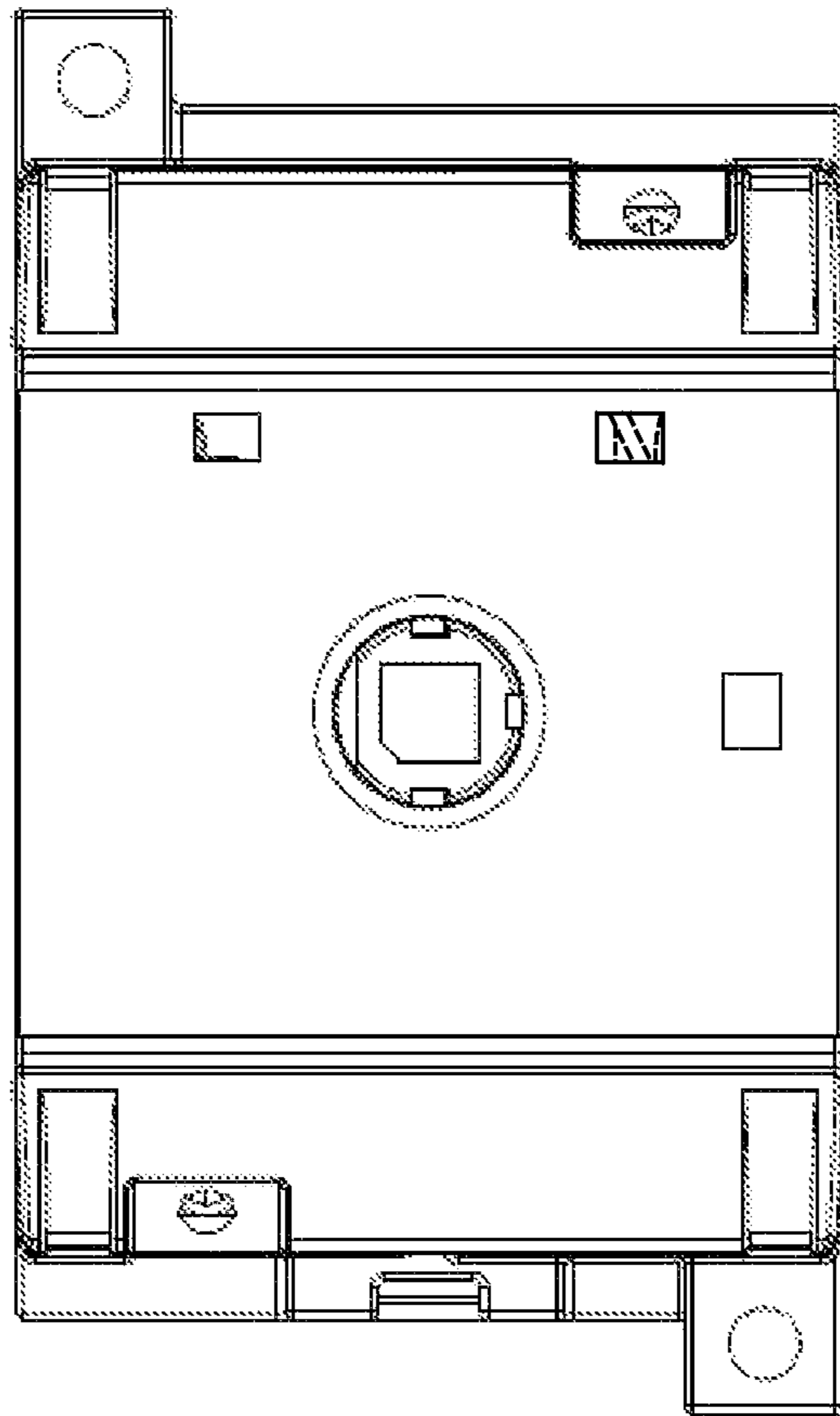


FIG. 2

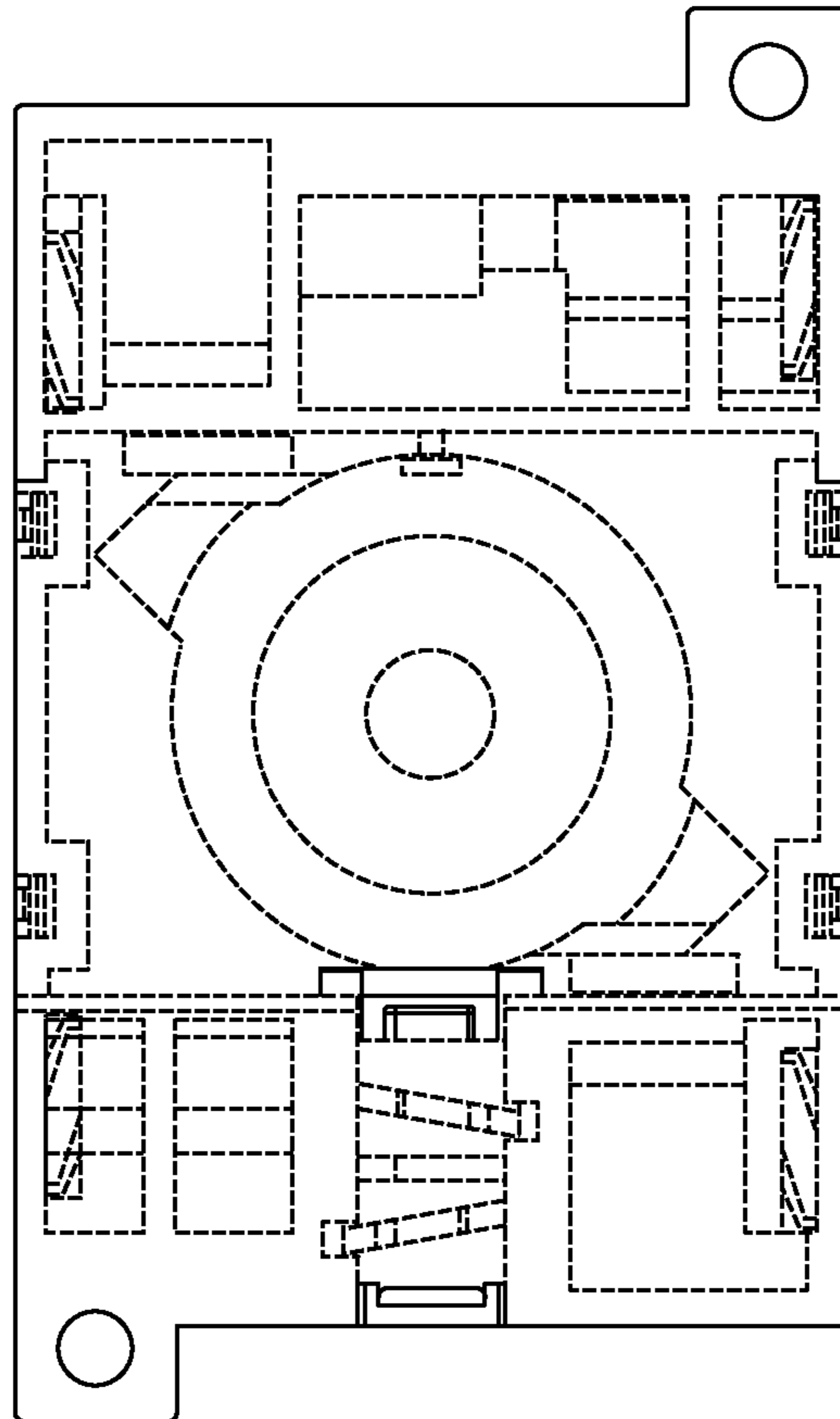


FIG. 3

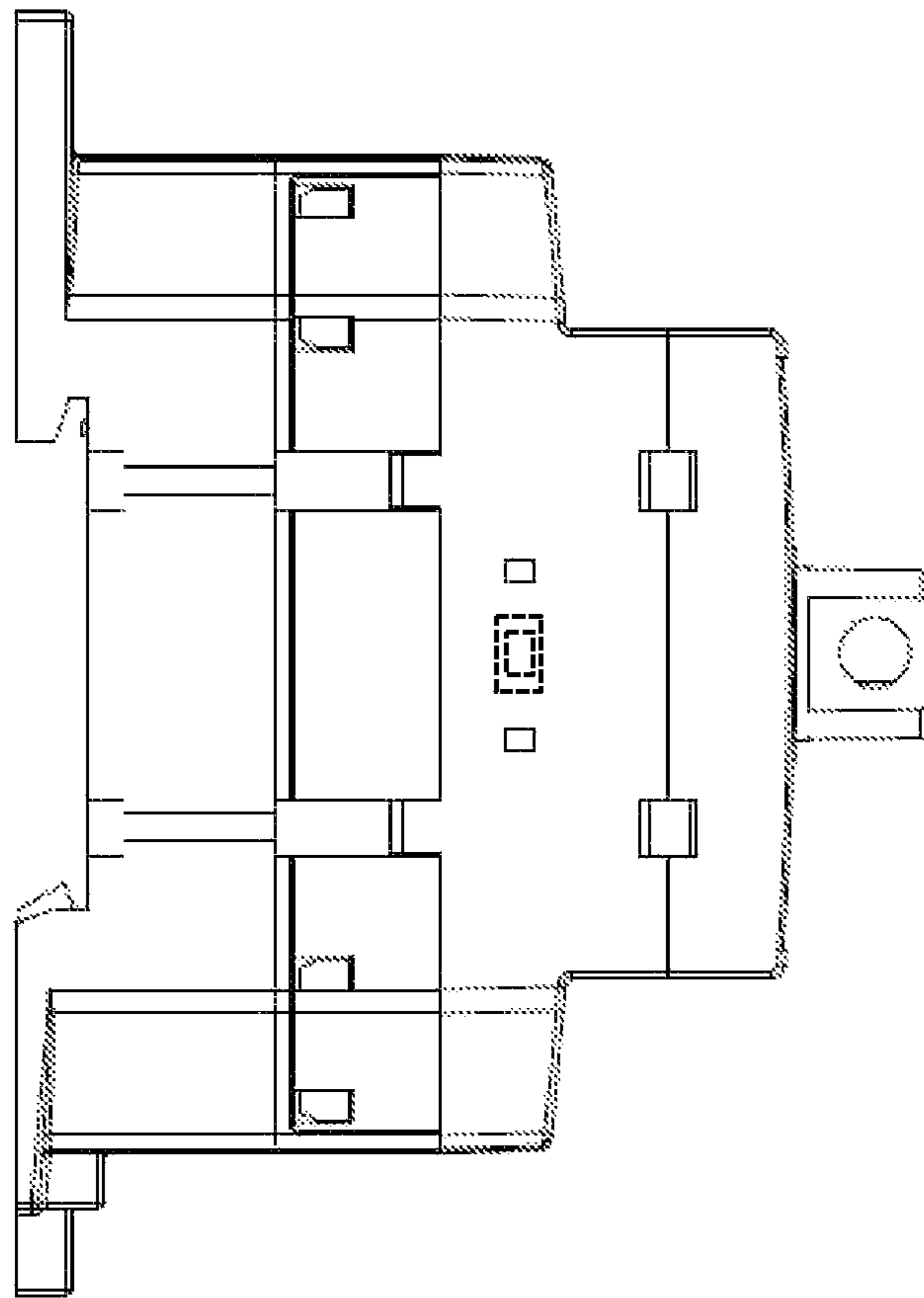


FIG. 4

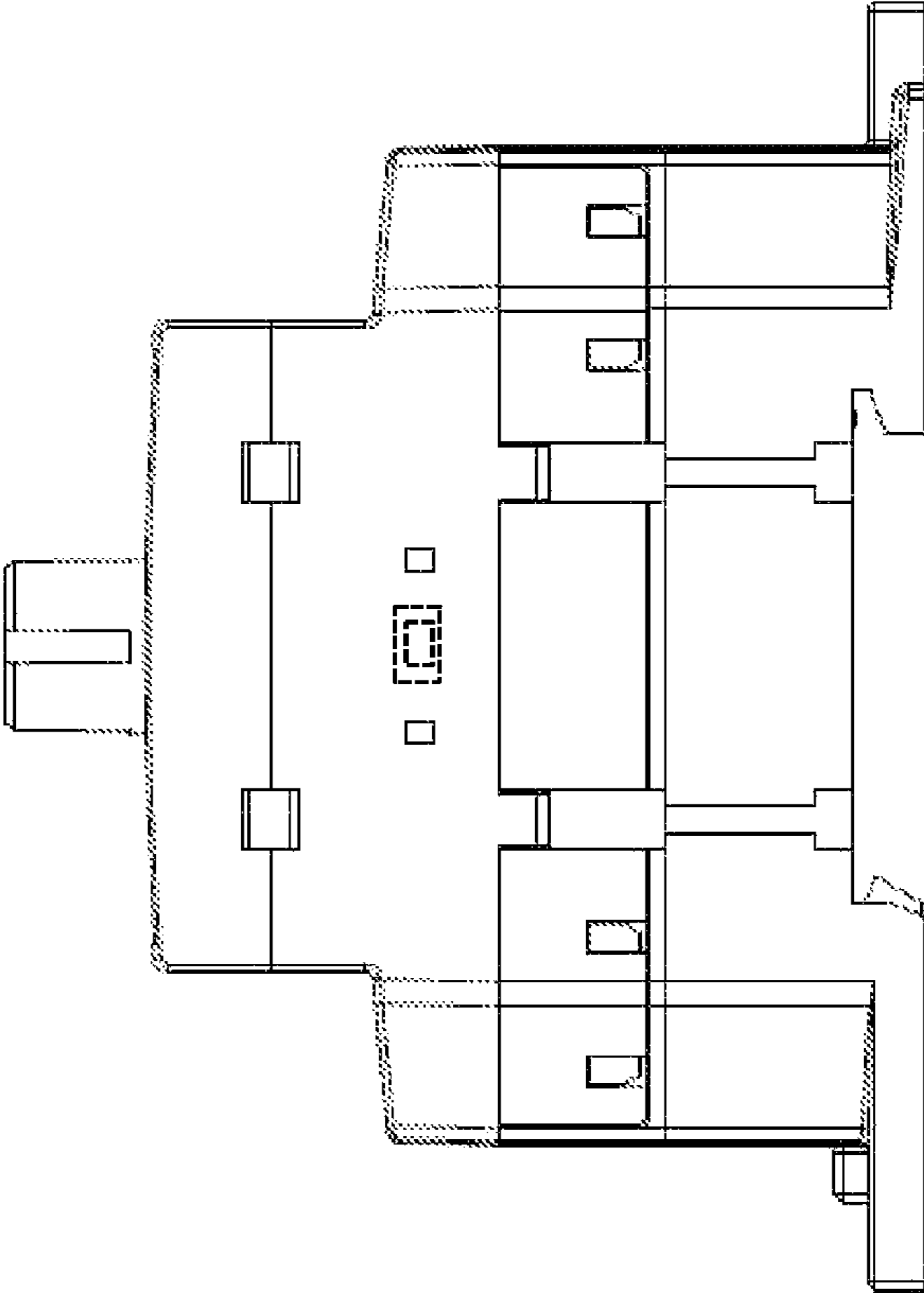


FIG. 5

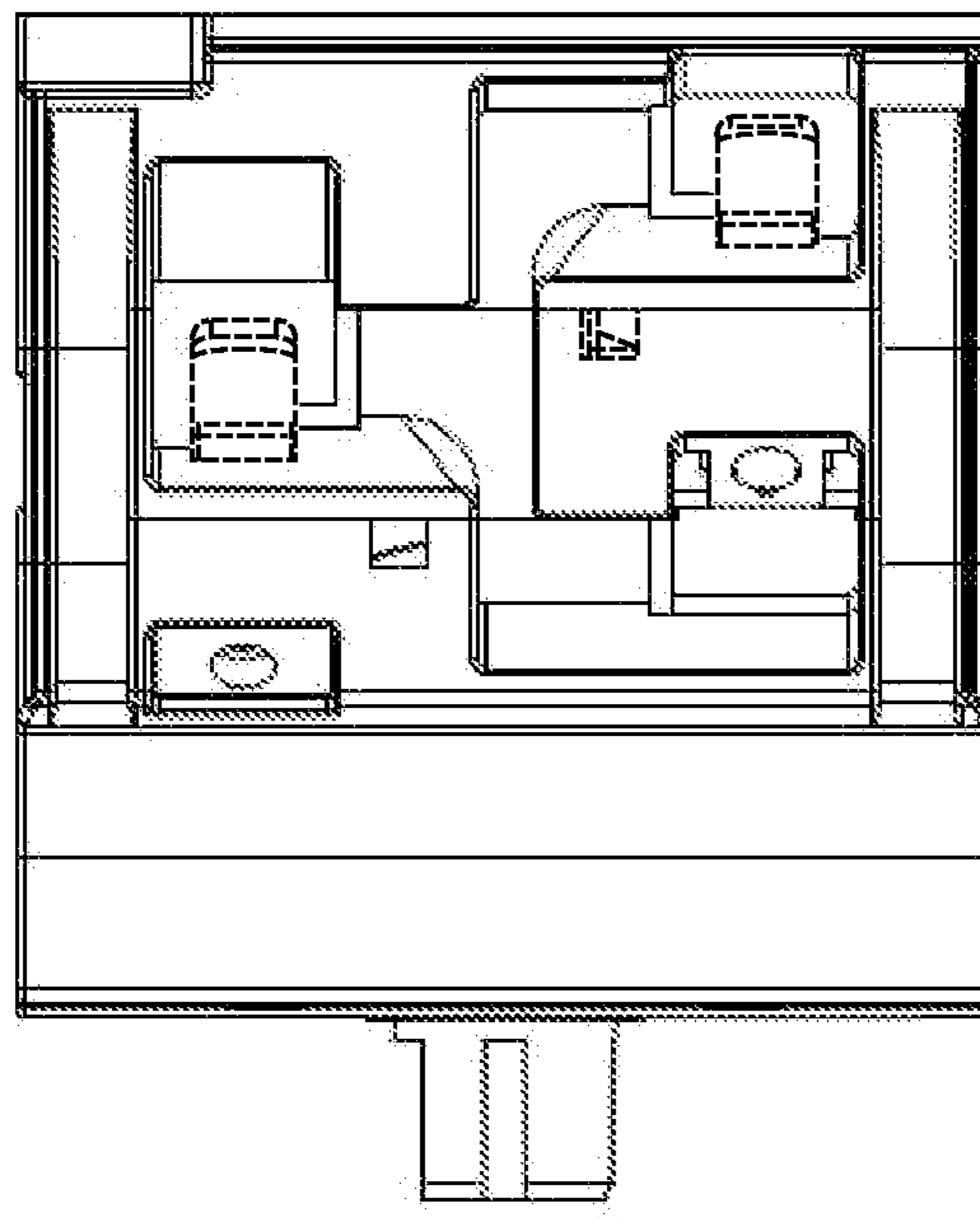


FIG. 6

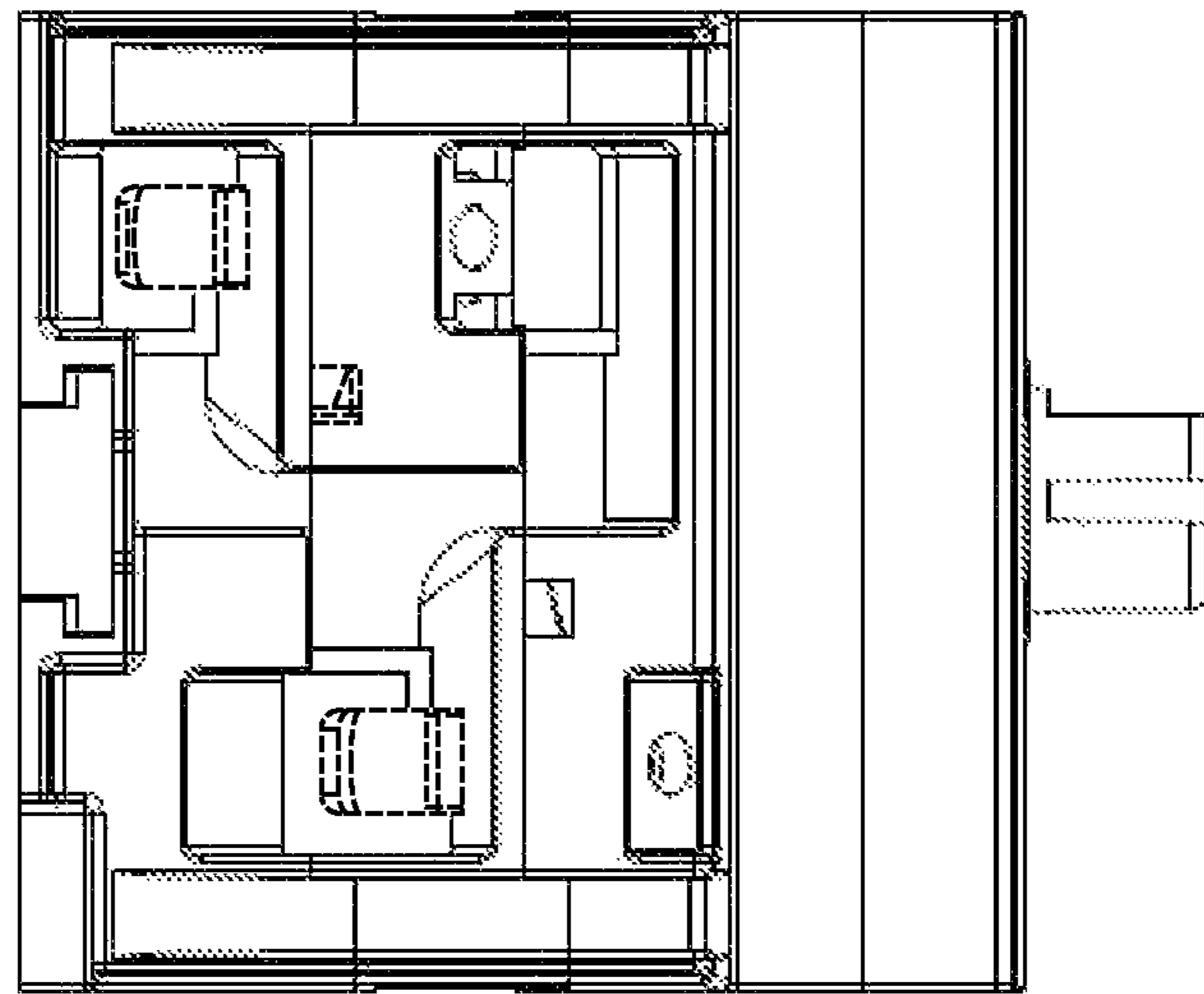


FIG. 7

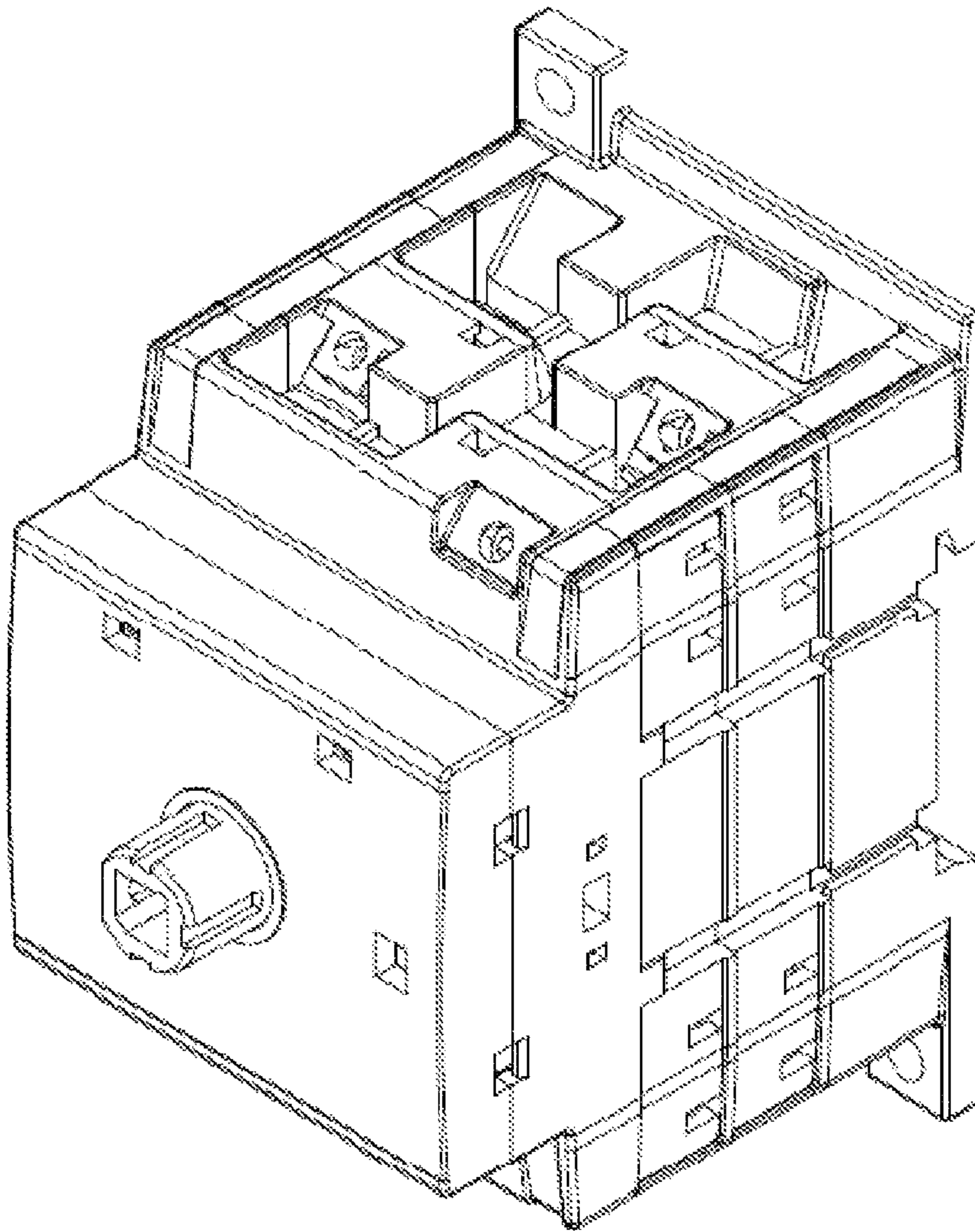


FIG. 8

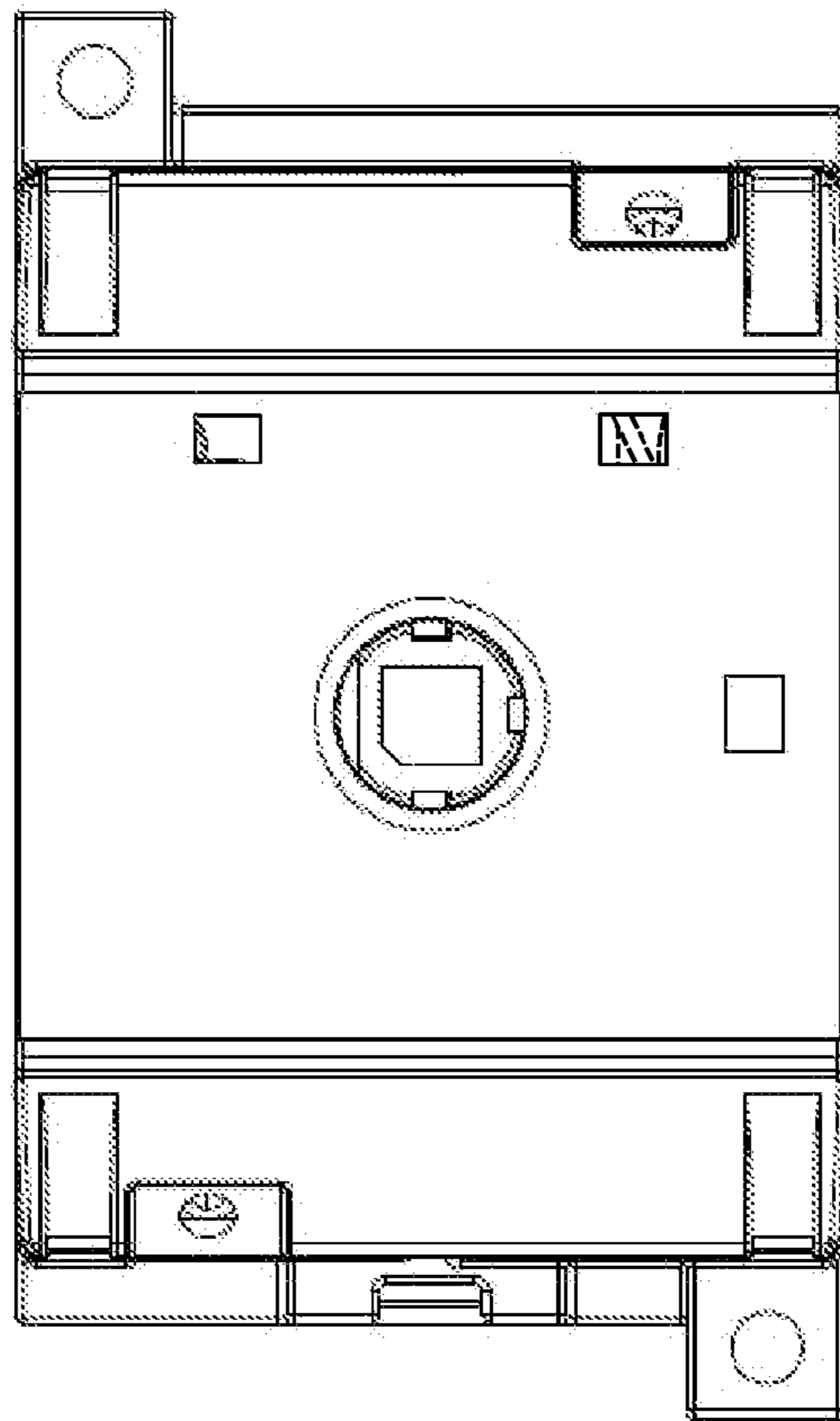


FIG. 9

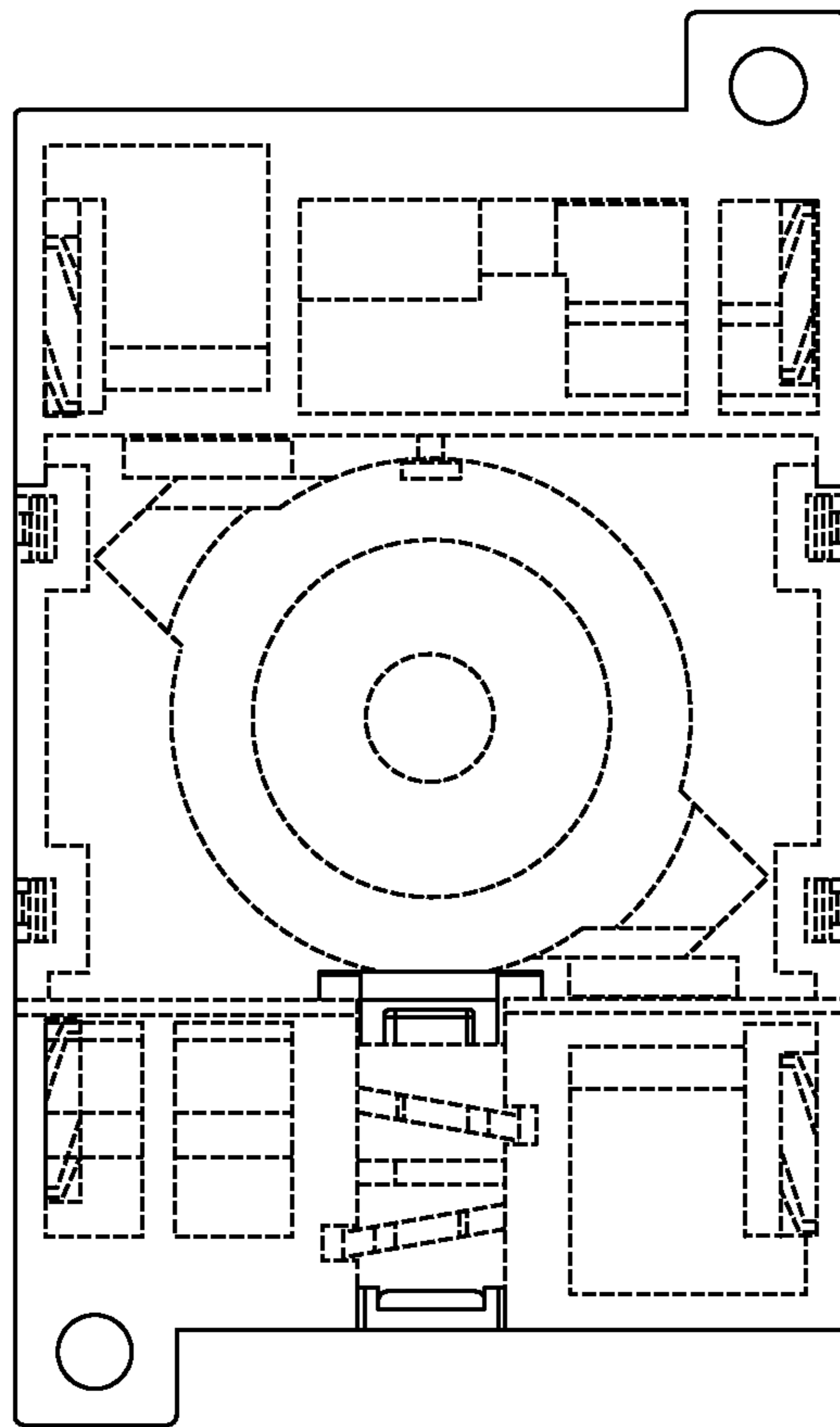


FIG. 10

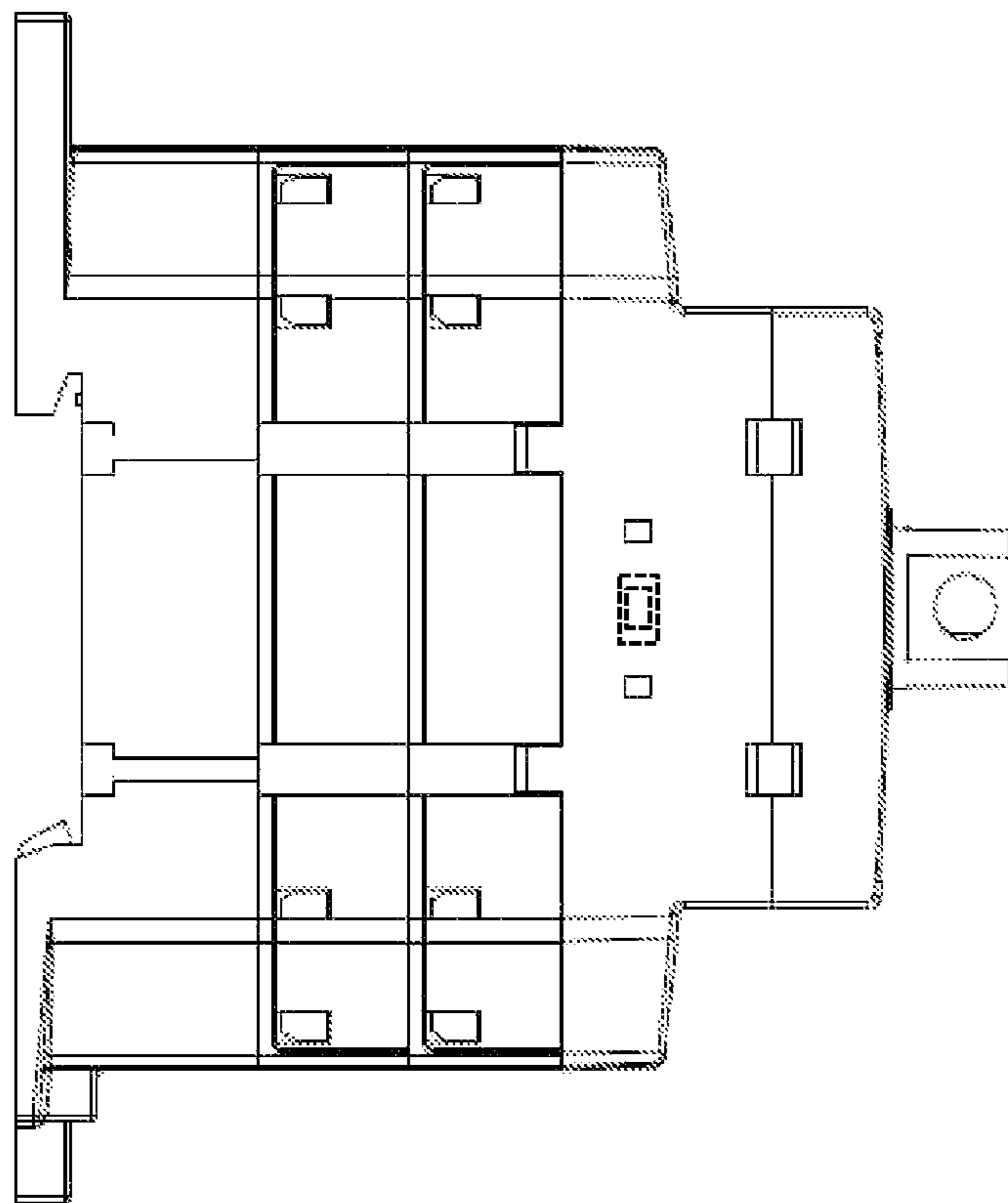


FIG. 11

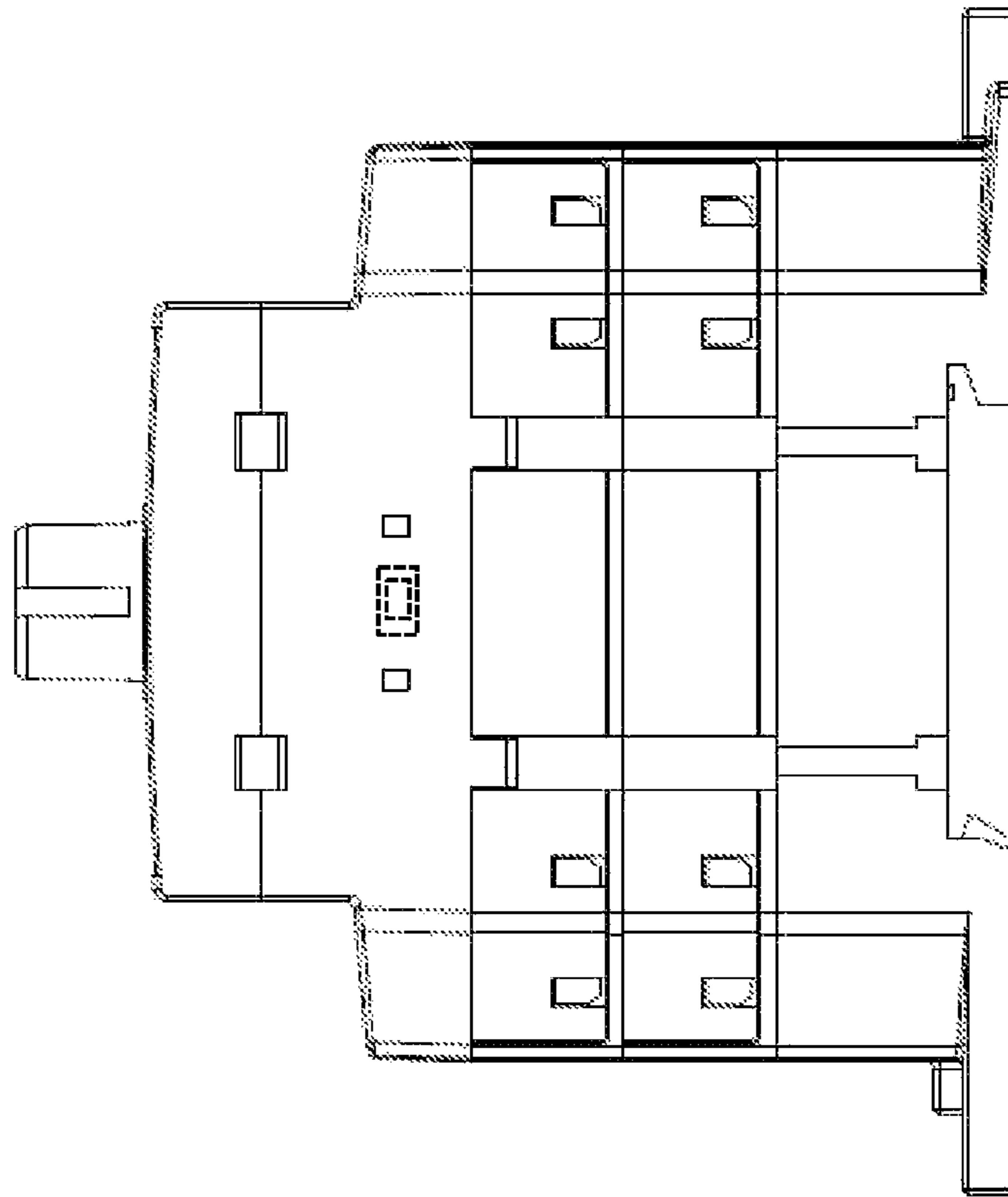


FIG. 12

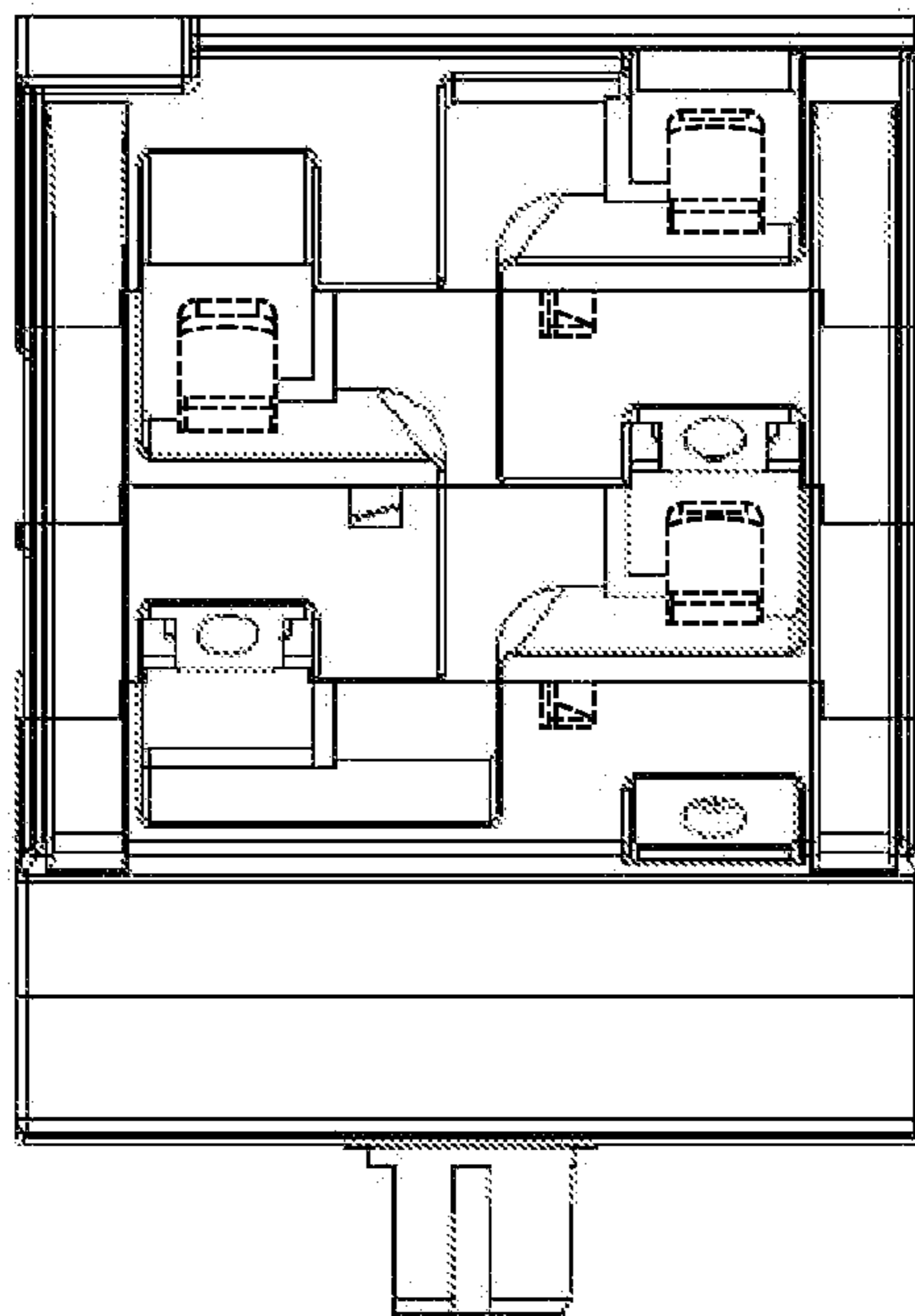


FIG. 13

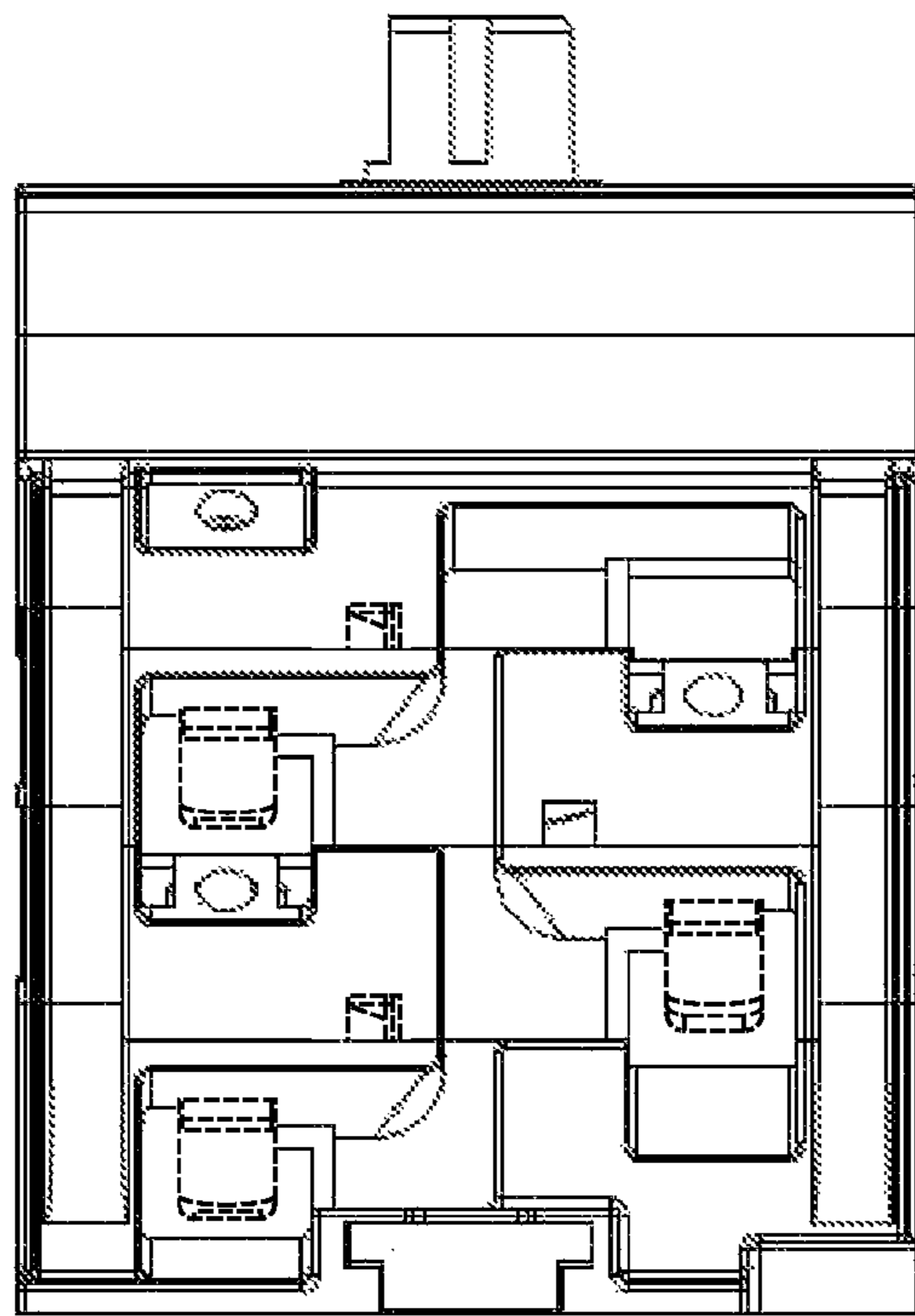


FIG. 14

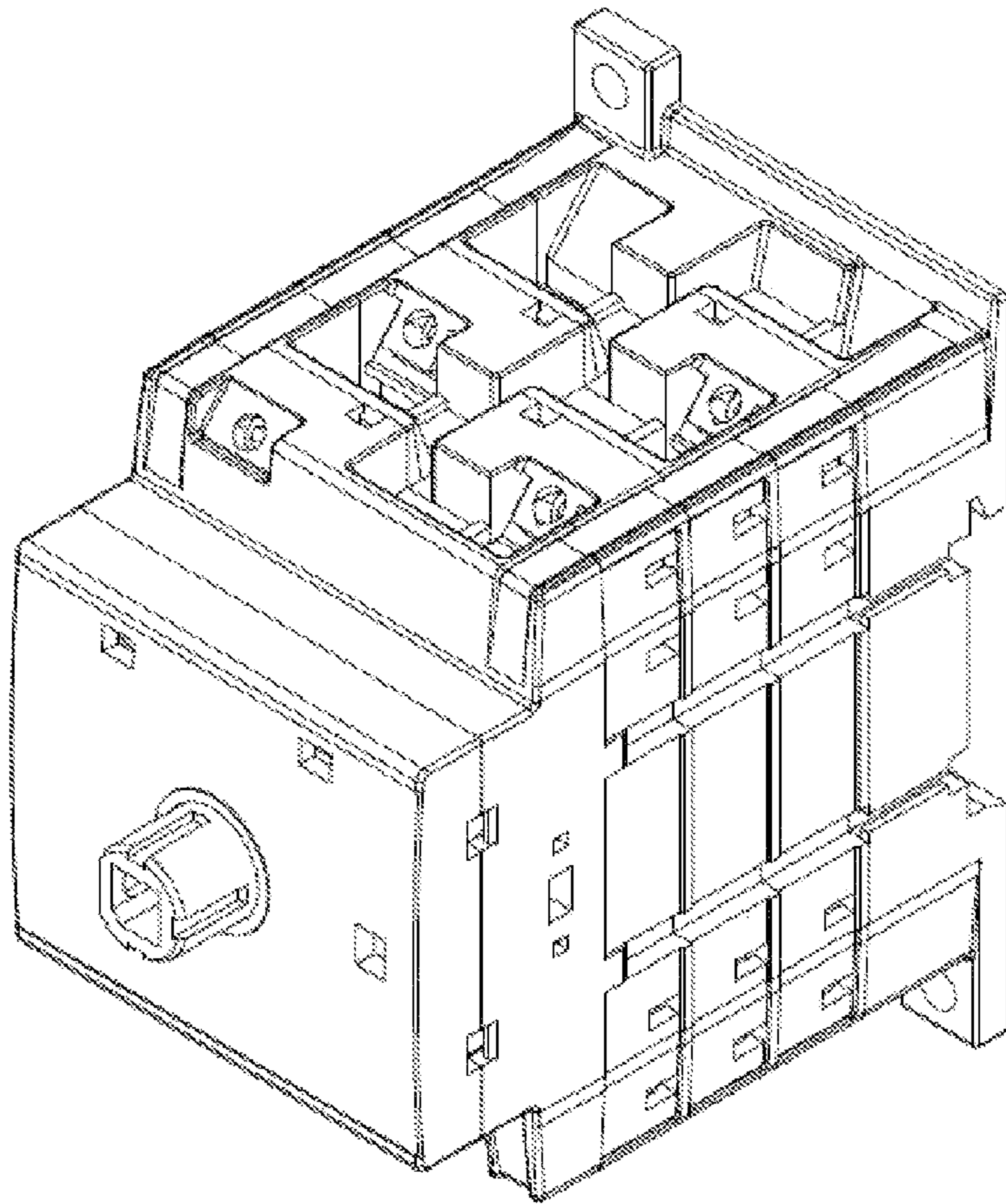


FIG. 15

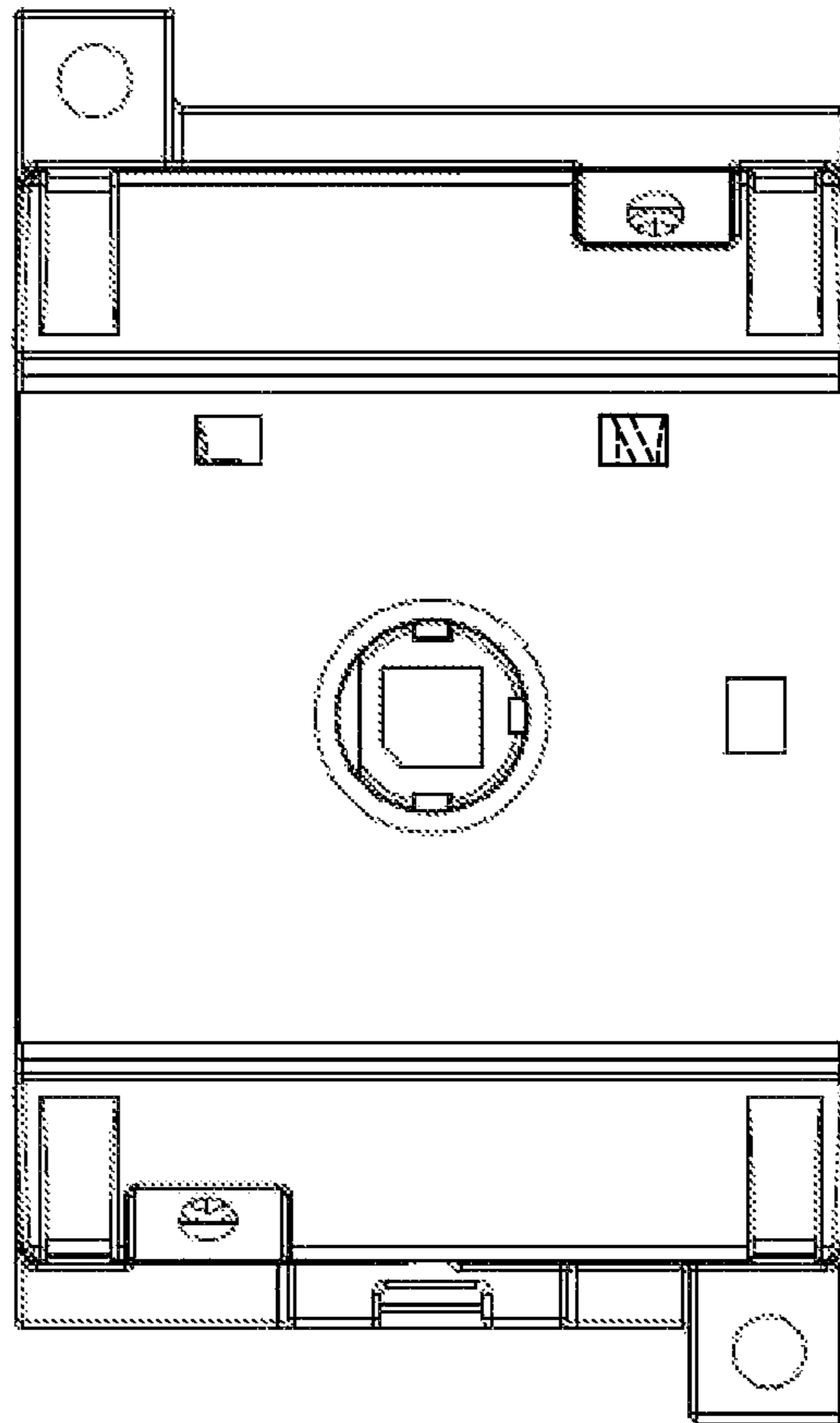


FIG. 16

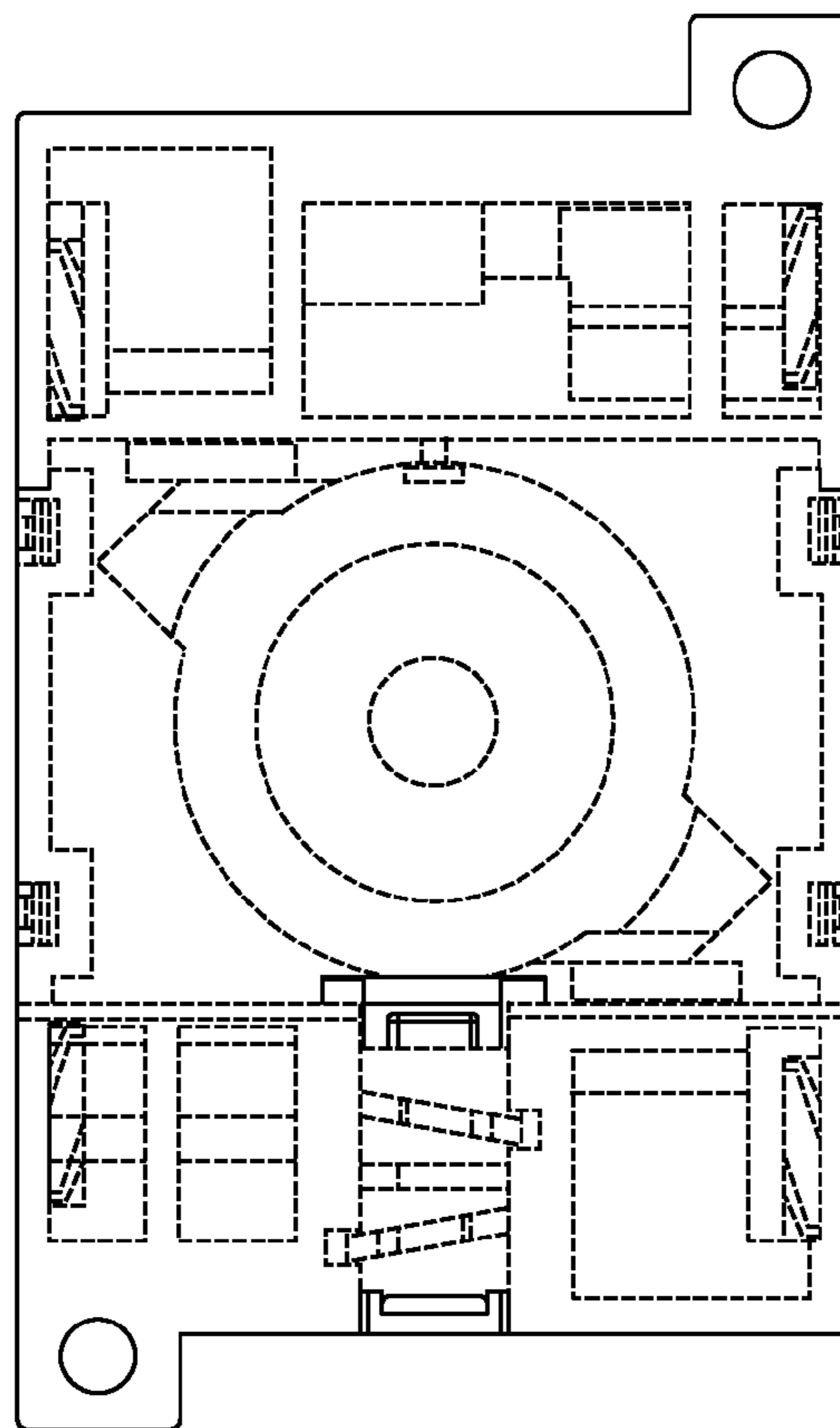


FIG. 17

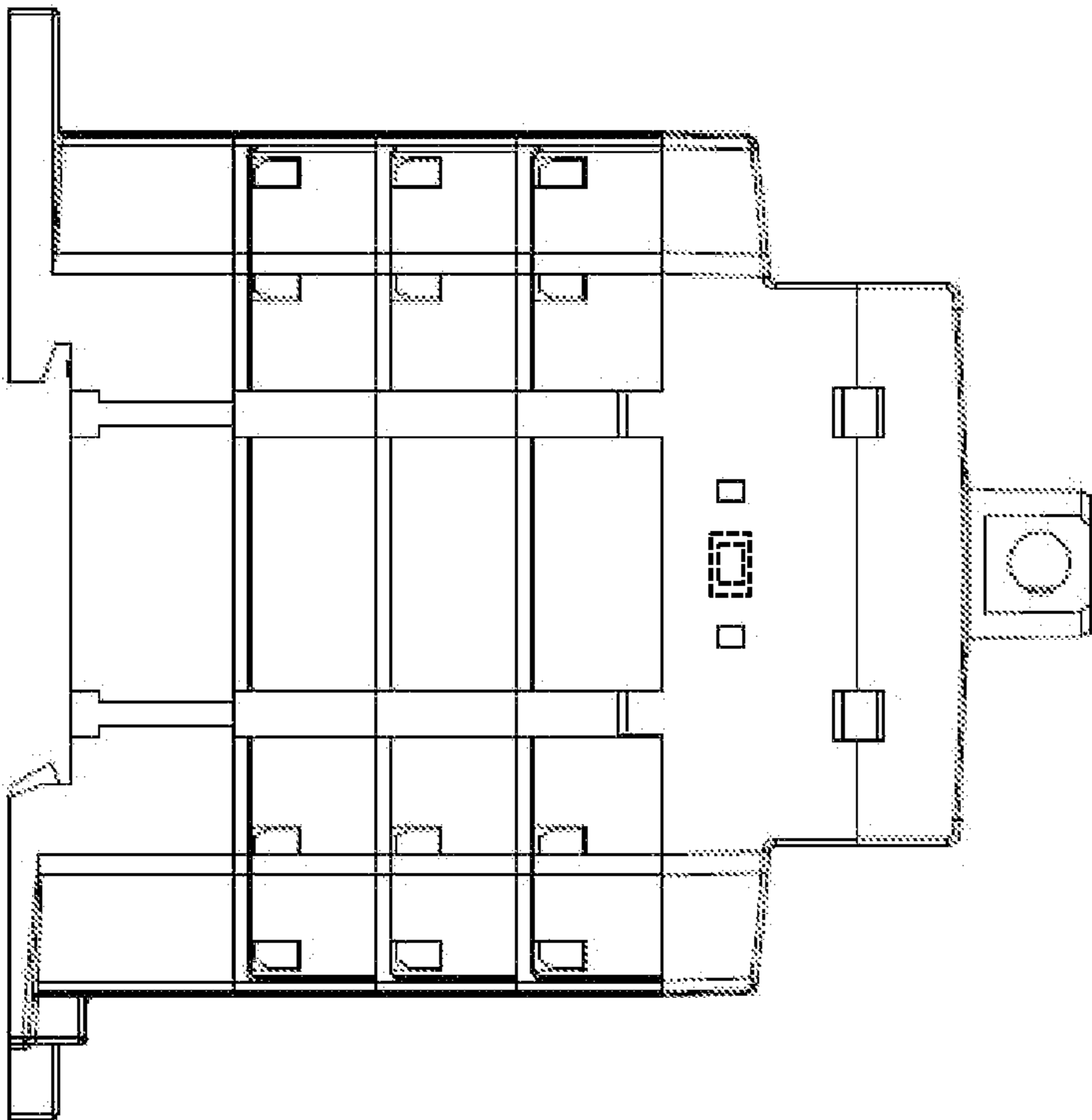


FIG. 18

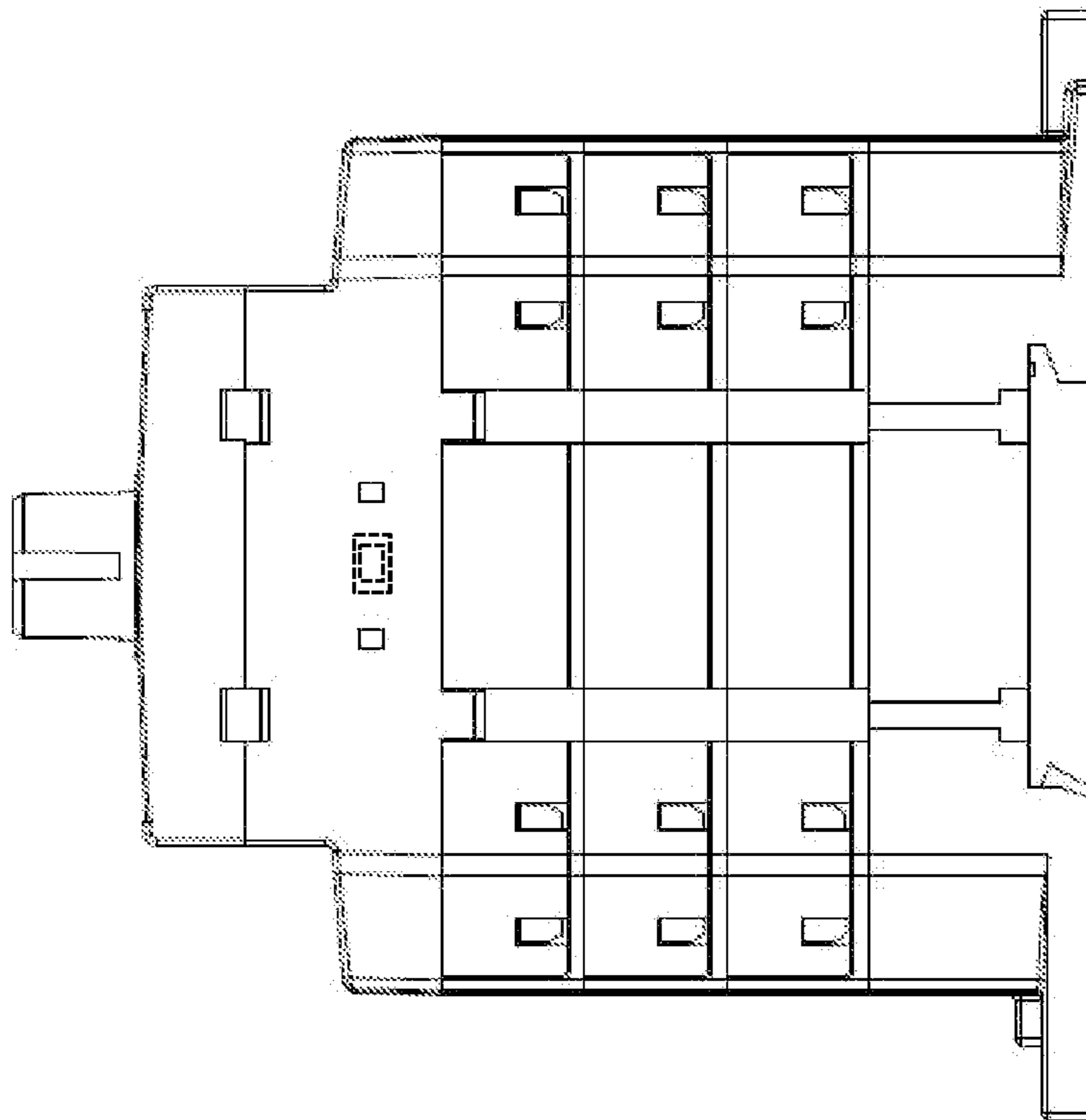


FIG. 19

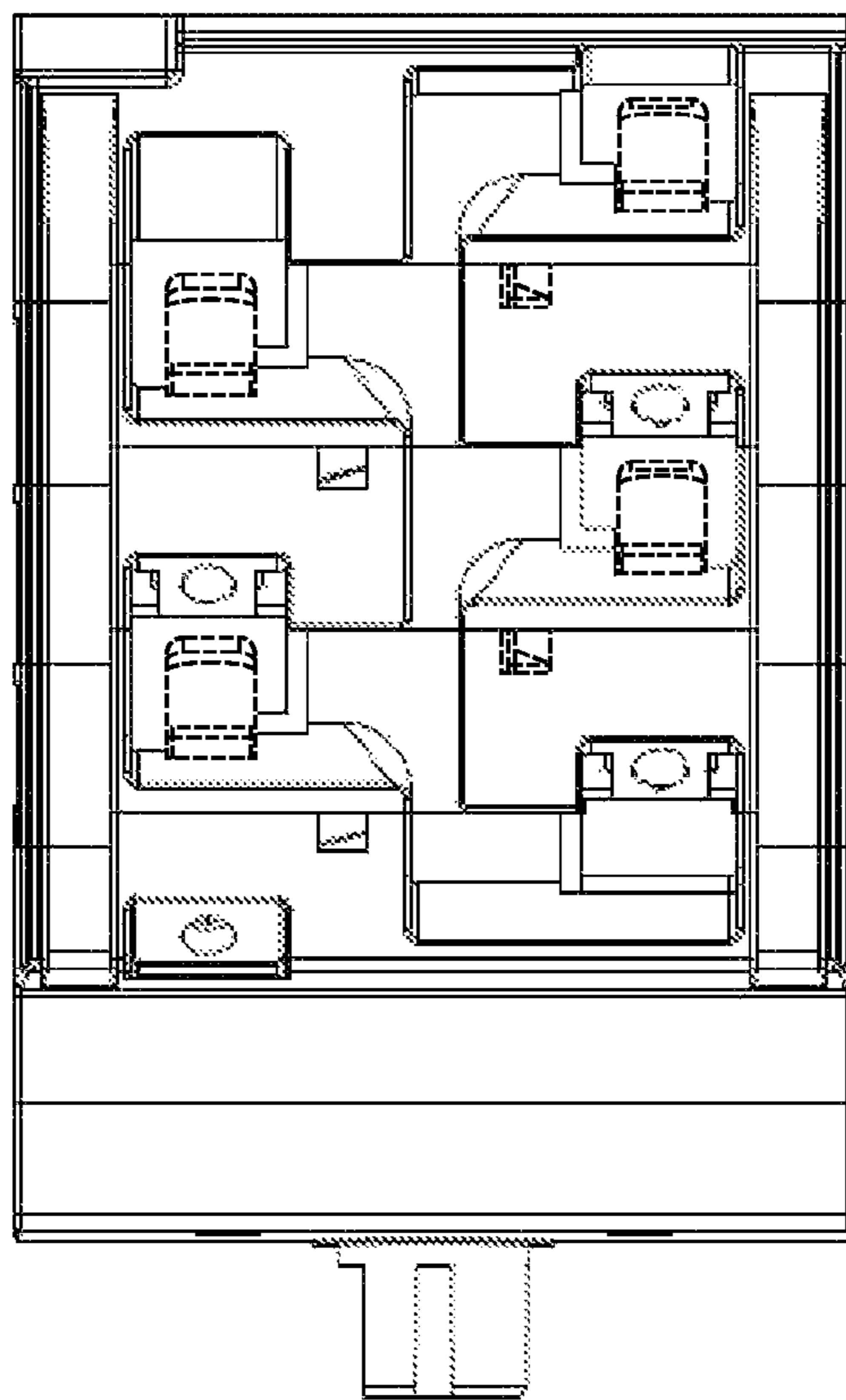


FIG. 20

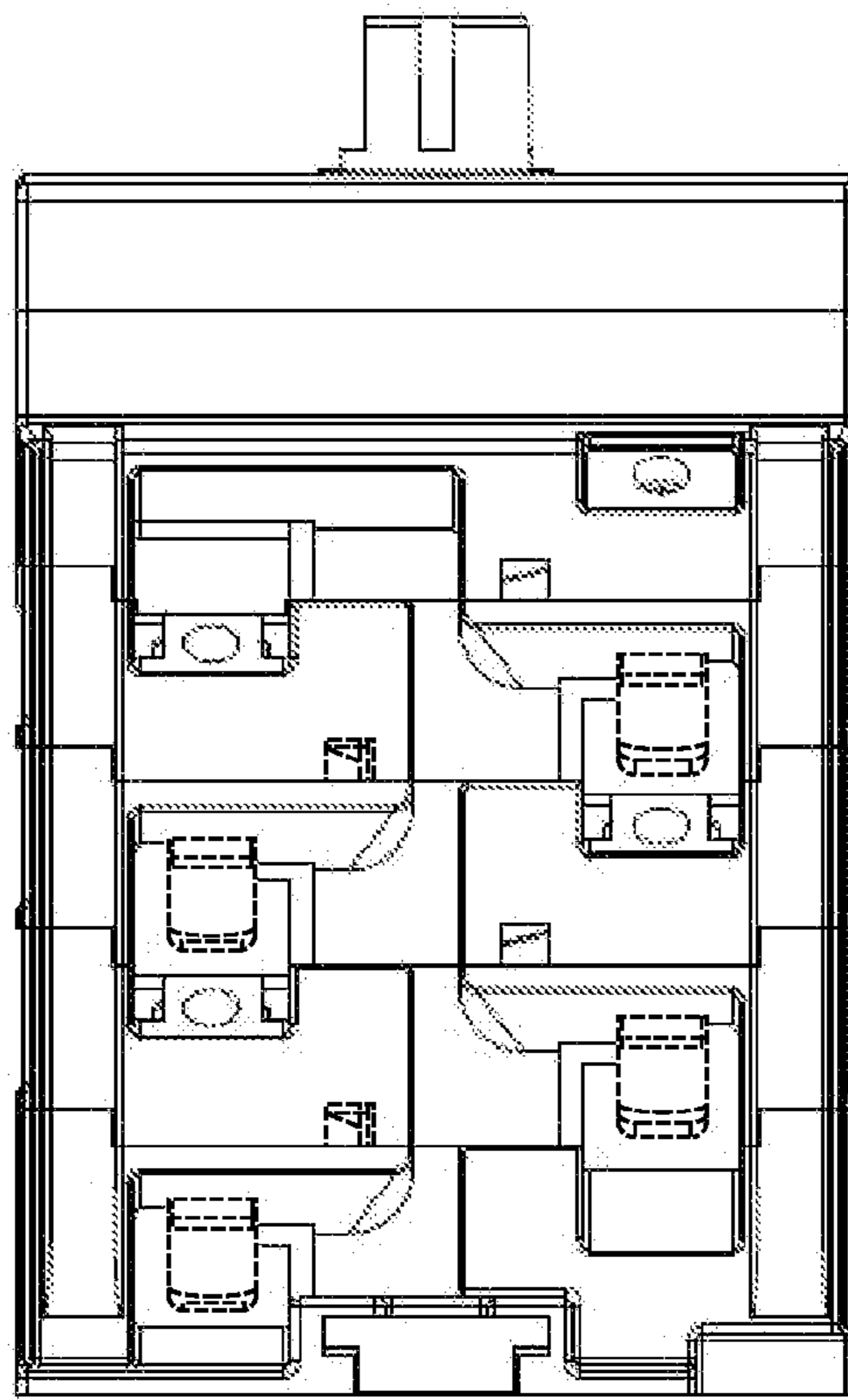
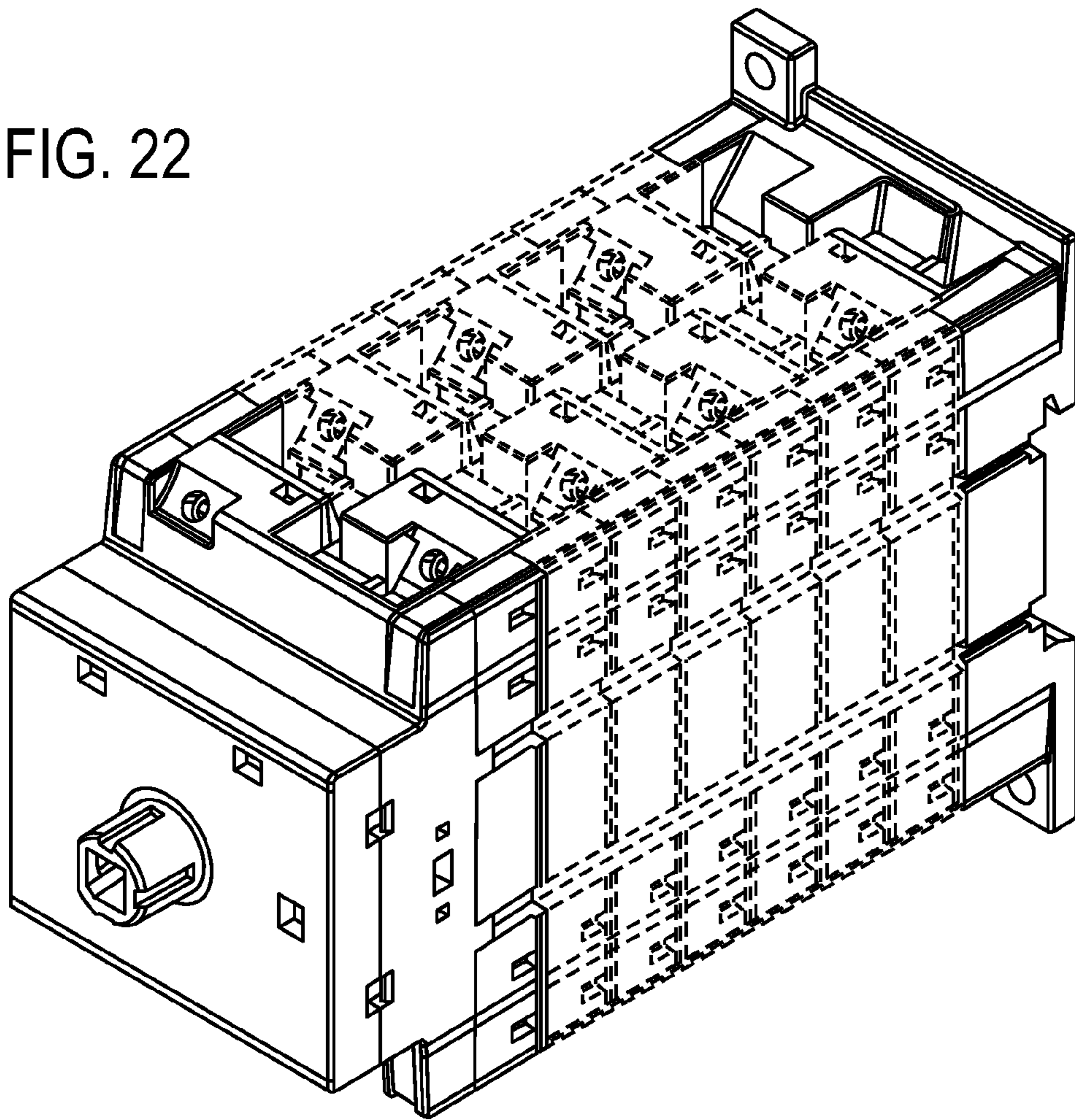


FIG. 21

FIG. 22



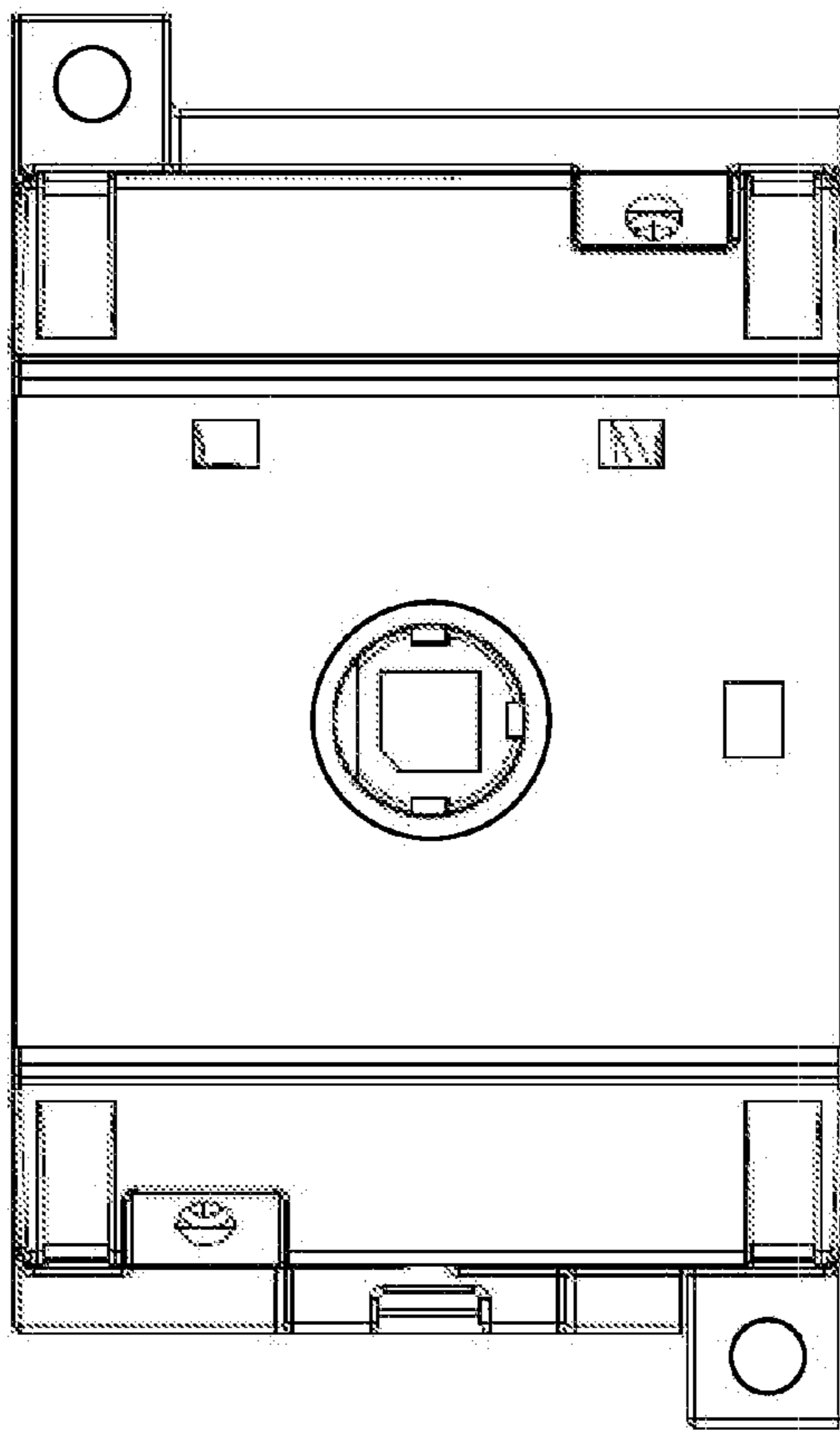


FIG. 23

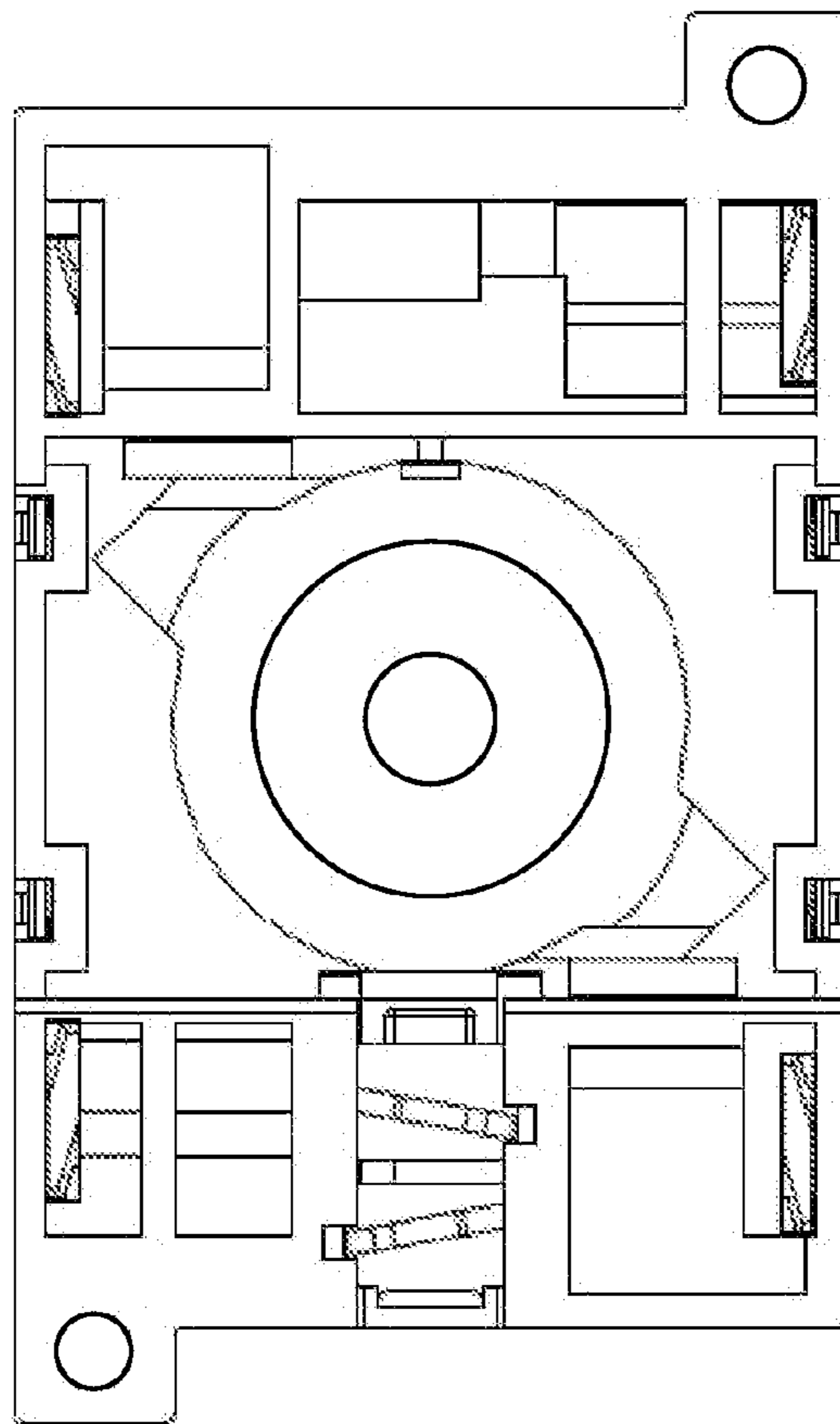


FIG. 24

FIG. 25

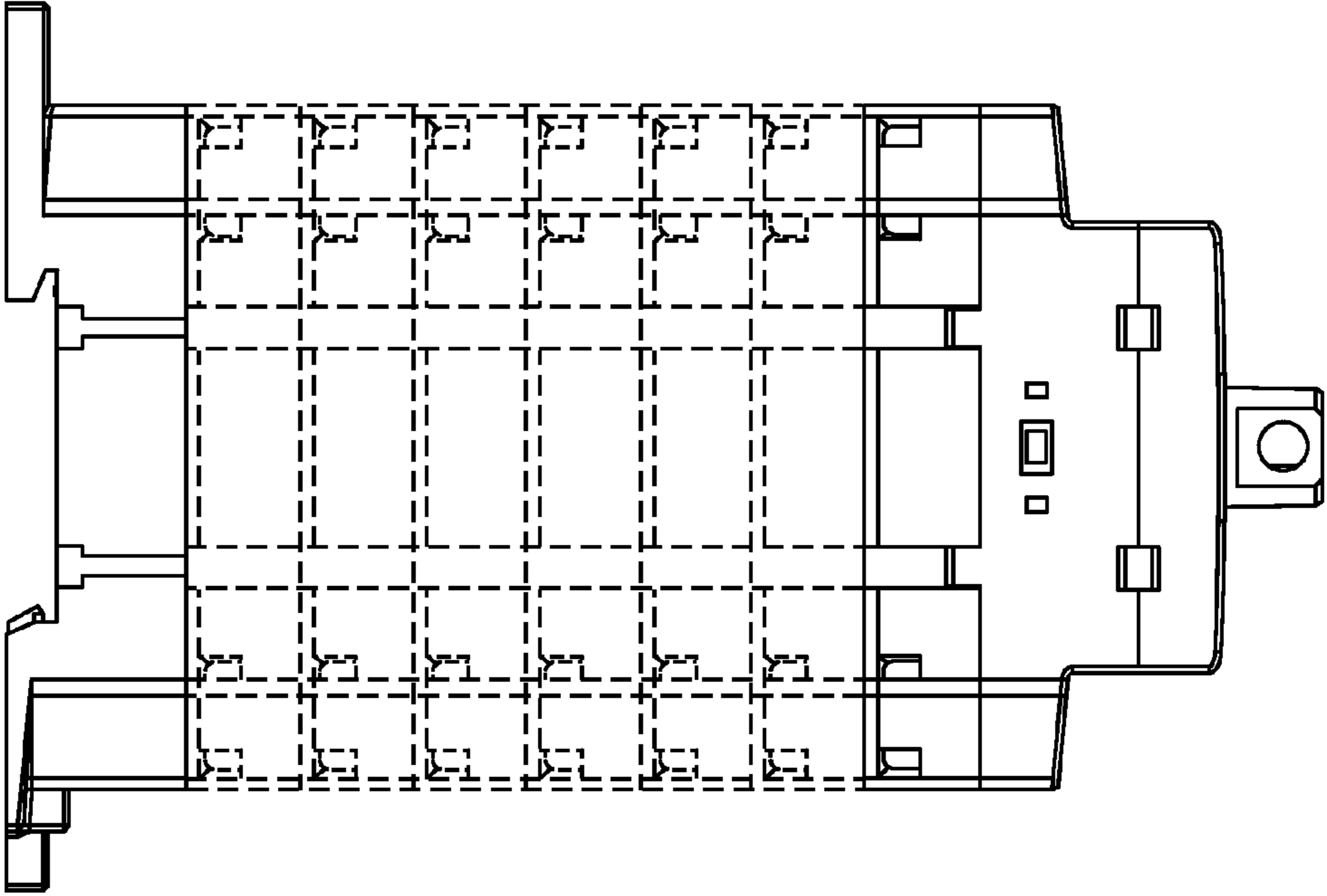
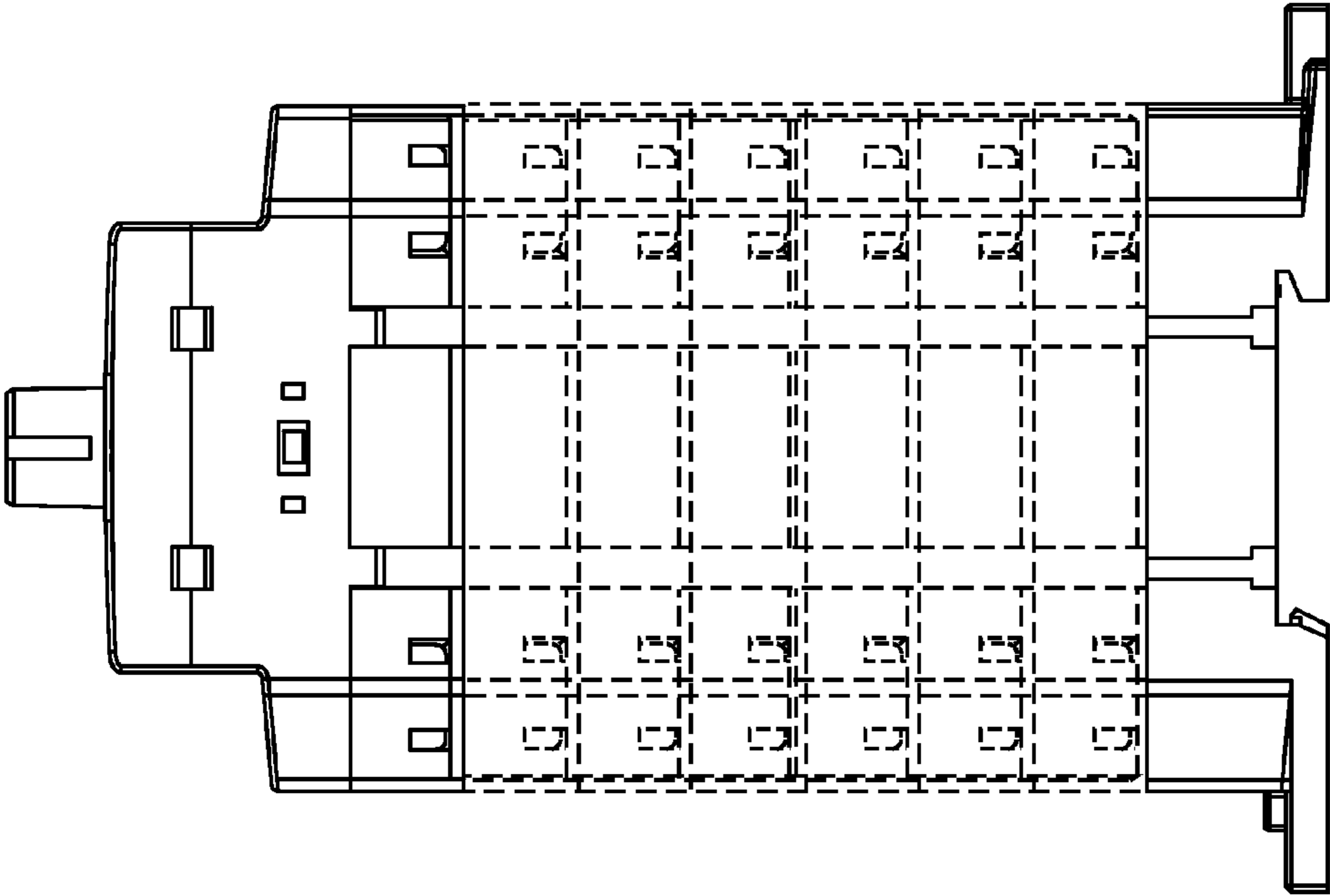


FIG. 26



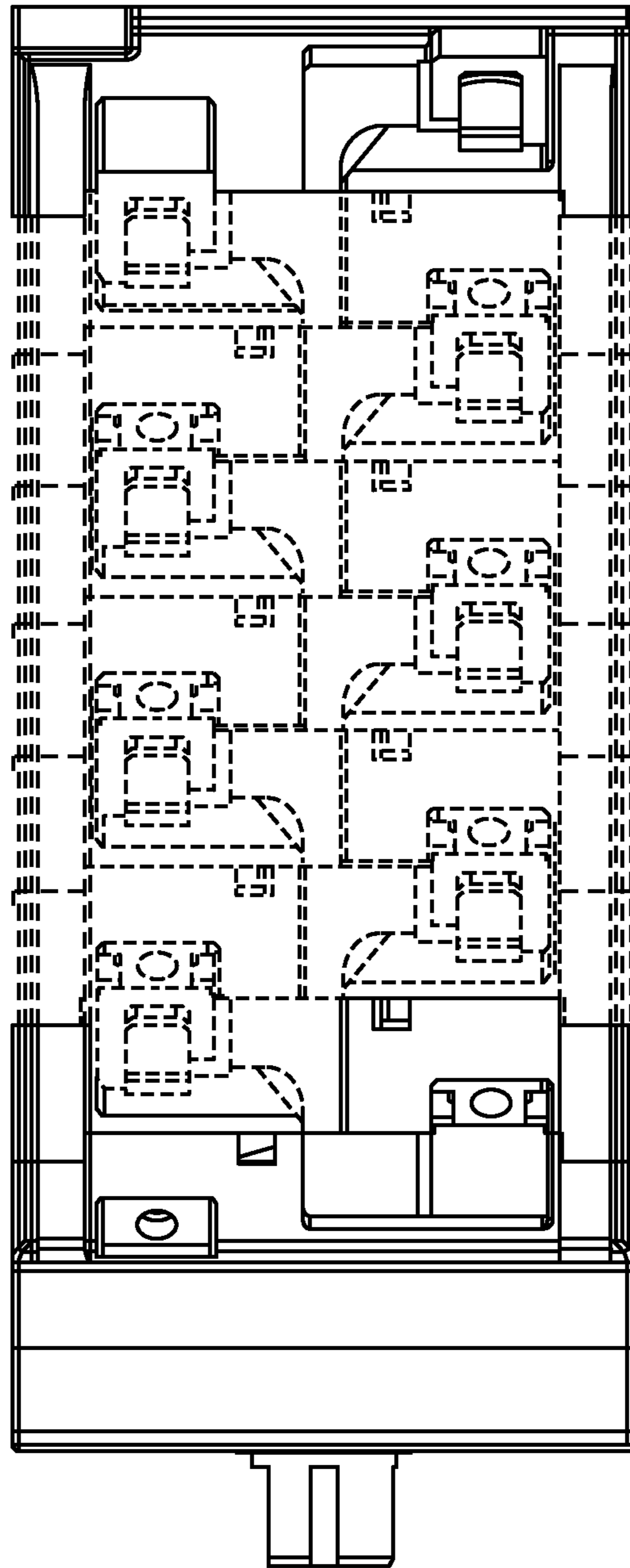


FIG. 27

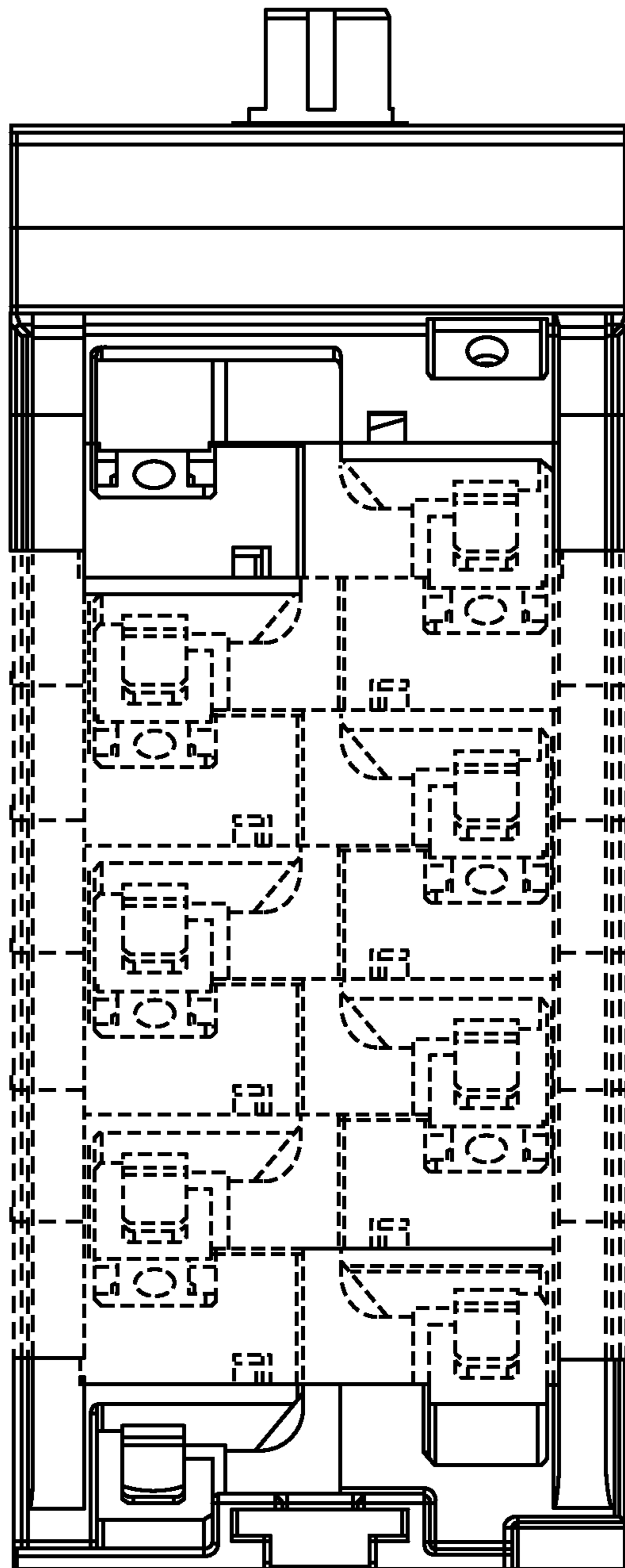


FIG. 28