



US00D687385S

(12) **United States Design Patent**
Ott

(10) **Patent No.:** **US D687,385 S**
(45) **Date of Patent:** **** Aug. 6, 2013**

(54) **ELECTRICAL OUTLET COVER IN THE
SHAPE OF A LADYBUG**
(76) Inventor: **Christopher J. Ott**, Glendale, WI (US)
(**) Term: **14 Years**
(21) Appl. No.: **29/425,340**
(22) Filed: **Jun. 21, 2012**
(51) **LOC (9) Cl.** **13-03**
(52) **U.S. Cl.**
USPC **D13/156**
(58) **Field of Classification Search**
USPC D13/156, 152, 153, 154, 177, 184,
D13/199; D8/349, 350, 351, 352; 174/50,
174/53, 54, 55, 58, 60, 66, 67; 220/4.02,
220/241, 244; 248/906; 439/345, 373, 535,
439/536; D4/124, 125; D9/630; D21/650,
D21/576
See application file for complete search history.

D436,929 S * 1/2001 Kane et al. D13/156
D446,602 S 8/2001 Xu
D470,207 S 2/2003 Pontiff
D483,820 S 12/2003 Weiser et al.
D486,421 S 2/2004 Weiser et al.
D492,197 S 6/2004 Pearson et al.
D494,340 S 8/2004 Baumhogger et al.
6,891,104 B2 * 5/2005 Dinh 174/67
D512,137 S 11/2005 Chen
D520,245 S * 5/2006 Huller D4/125
D526,927 S 8/2006 Weiser
D532,977 S 12/2006 Huller
D556,143 S * 11/2007 Ni D13/152
7,410,372 B2 * 8/2008 Johnson et al. 439/142
D577,178 S 9/2008 Smith
D606,596 S 12/2009 Kruger
D607,139 S 12/2009 Johnson et al.
D616,415 S 5/2010 Lum et al.
D616,861 S 6/2010 Lum et al.
D627,152 S 11/2010 Williams et al.
D640,807 S 6/2011 Weiser

* cited by examiner

Primary Examiner — Derrick Holland
(74) *Attorney, Agent, or Firm* — Andrus, Scales, Starke &
Sawall, LLP

(56) **References Cited**

U.S. PATENT DOCUMENTS

3,955,709 A 5/1976 Coley et al.
4,031,312 A 6/1977 Coleman et al.
4,381,063 A 4/1983 Leong
D276,246 S * 11/1984 von Lienen D21/371
D310,320 S * 9/1990 Domian D8/350
4,993,963 A 2/1991 Pedigo
D336,945 S * 6/1993 Tsai D23/213
5,228,584 A 7/1993 Williams, Jr.
D342,769 S 12/1993 Stangl
5,280,135 A 1/1994 Berlin et al.
5,387,761 A 2/1995 Simonis
D363,938 S 11/1995 Kahng
5,527,993 A 6/1996 Shotey et al.
D374,511 S 10/1996 Schenck
D379,970 S * 6/1997 Chambers et al. D13/156
D409,430 S 5/1999 Bear
5,913,405 A 6/1999 Bordier
D418,114 S * 12/1999 Hayduke et al. D13/156

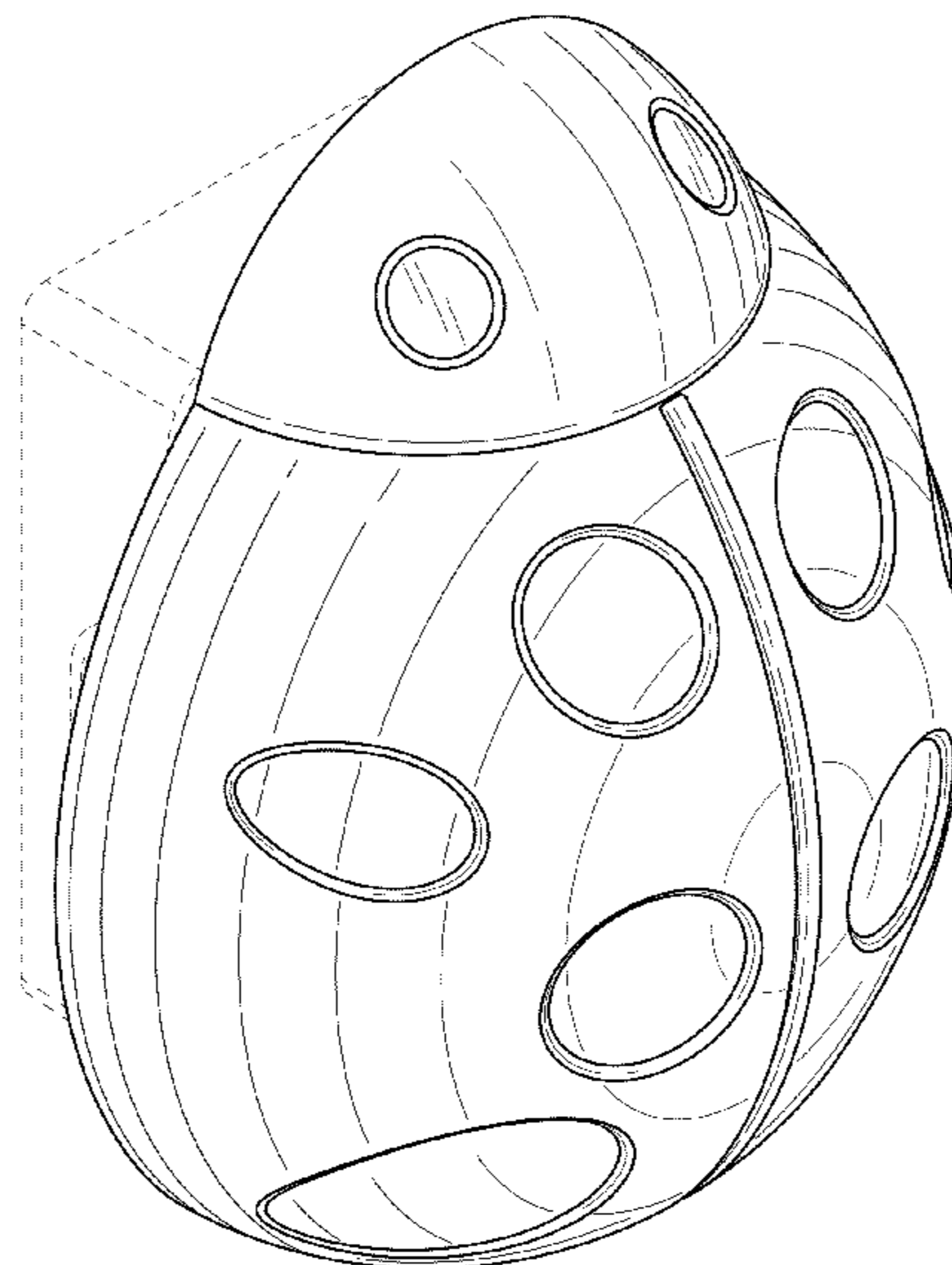
(57) **CLAIM**

The ornamental design for an electrical outlet cover in the shape of a ladybug, as shown and described.

DESCRIPTION

FIG. 1 is an isometric view of an electrical outlet cover in the shape of a ladybug incorporating my new design;
FIG. 2 is a front elevation view thereof;
FIG. 3 is a left side elevation view thereof;
FIG. 4 is a right side elevation view thereof;
FIG. 5 is a top plan view thereof; and,
FIG. 6 is a bottom plan view thereof.
The broken lines shown represent unclaimed subject matter and form no part of the claimed design.

1 Claim, 4 Drawing Sheets



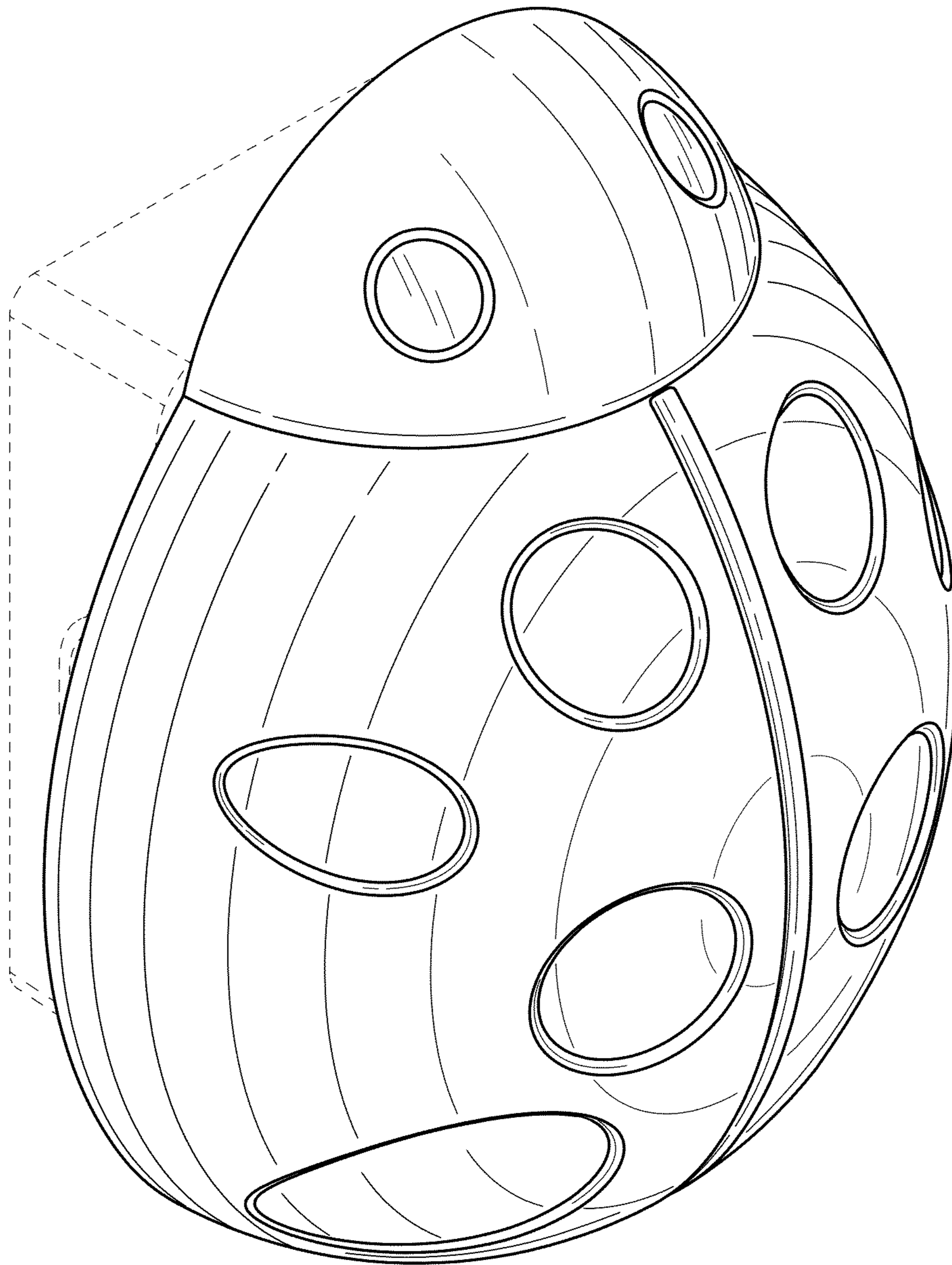


FIG. 1

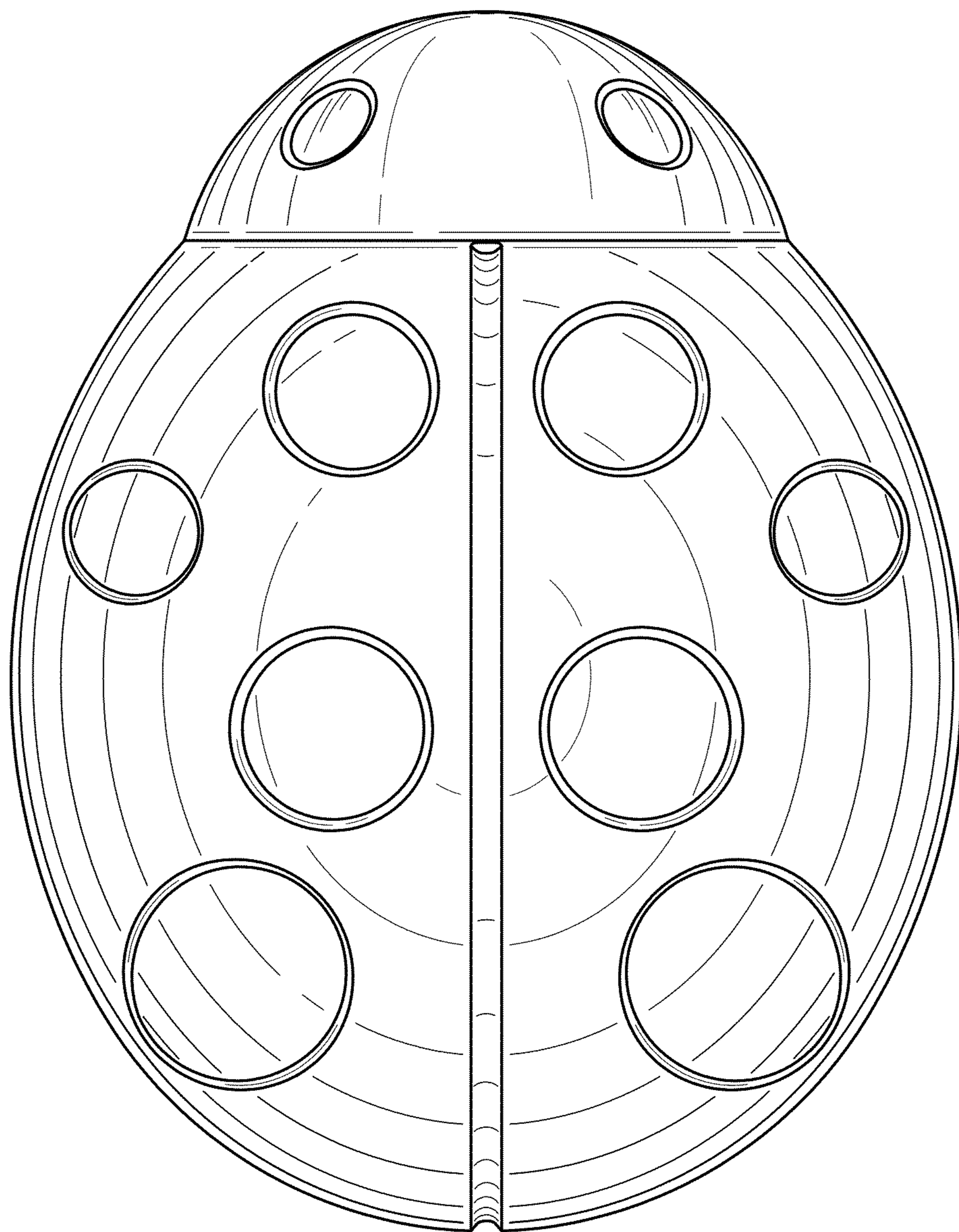


FIG. 2

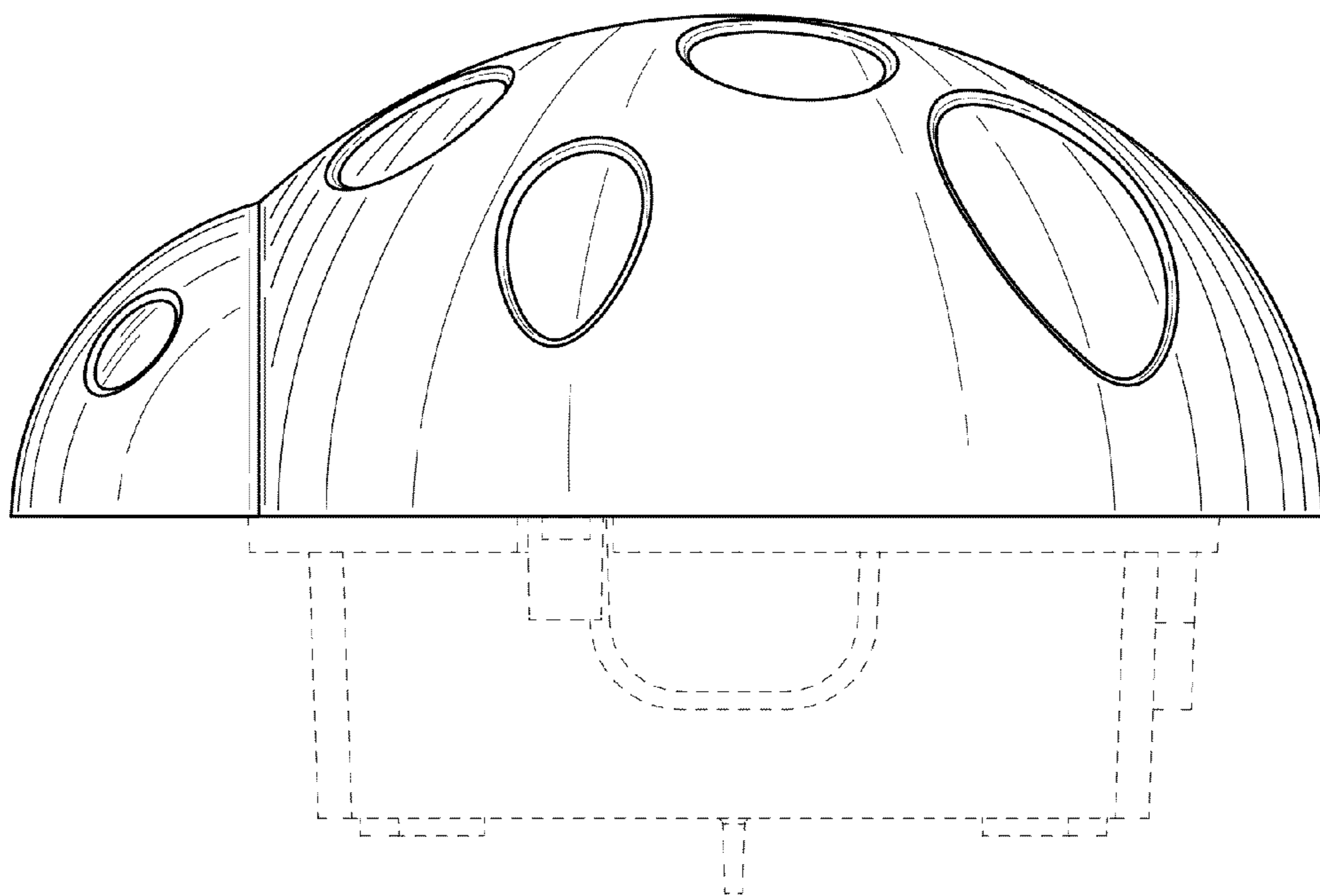


FIG. 4

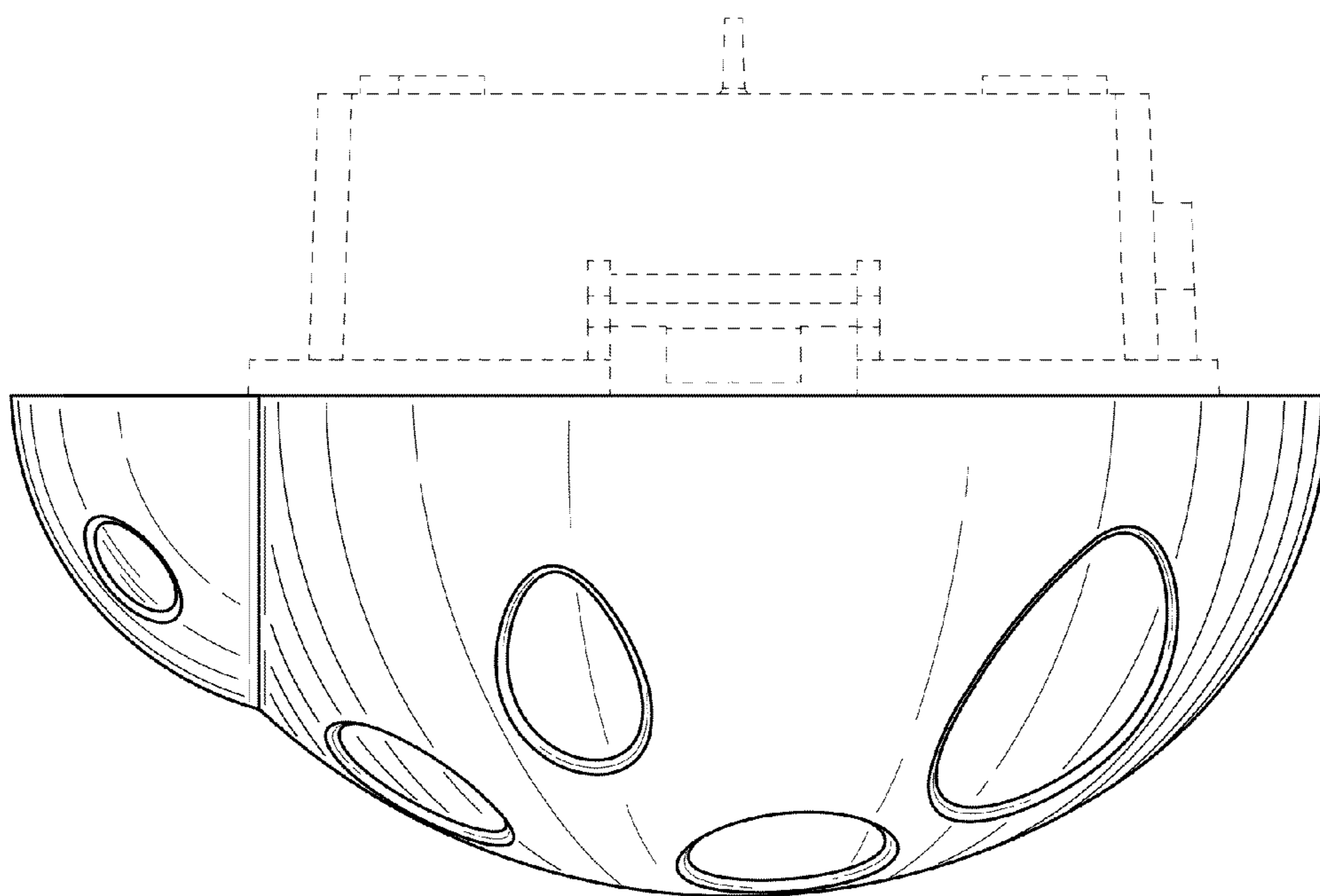


FIG. 3

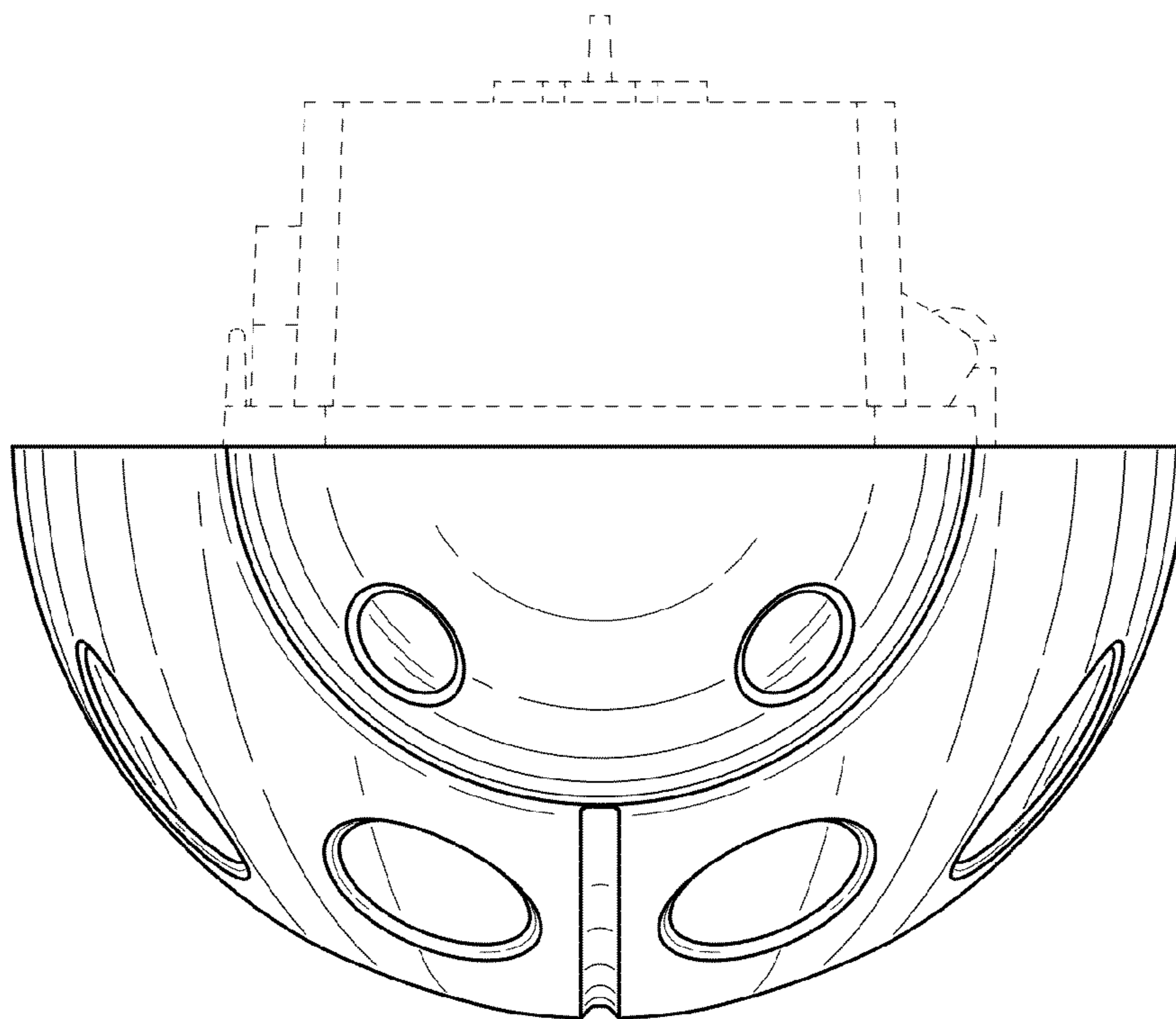


FIG. 5

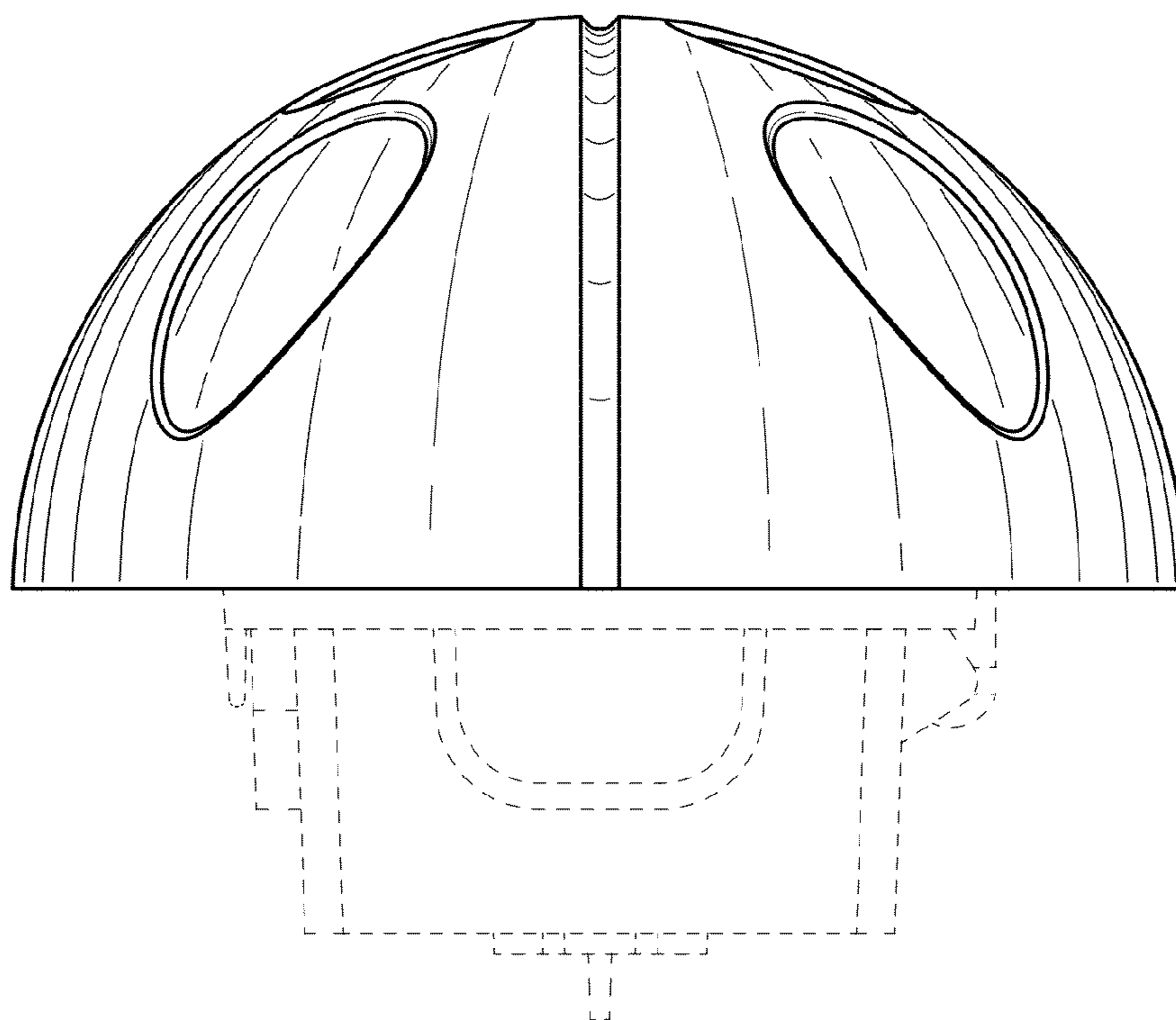


FIG. 6