



US00D687383S

(12) **United States Design Patent**
Miyazaki et al.

(10) **Patent No.:** **US D687,383 S**

(45) **Date of Patent:** **** Aug. 6, 2013**

(54) **CONNECTOR**

(75) Inventors: **Yoji Miyazaki, Mie (JP); Tomonori Tanaka, Mie (JP)**

(73) Assignee: **Panasonic Corporation, Osaka (JP)**

(**) Term: **14 Years**

(21) Appl. No.: **29/431,361**

(22) Filed: **Sep. 6, 2012**

(30) **Foreign Application Priority Data**

Mar. 7, 2012 (JP) 2012-005091

(51) **LOC (9) Cl.** **13-03**

(52) **U.S. Cl.**
USPC **D13/147**

(58) **Field of Classification Search**
USPC D13/120, 133, 147, 154, 184, 199;
439/78-79, 83, 108, 181, 607.01, 607.04,
439/607.05, 607.17, 607.25, 607.34, 74,
439/607.41, 607.53, 630, 660
See application file for complete search history.

(56) **References Cited**

U.S. PATENT DOCUMENTS

D502,921 S * 3/2005 Zhang et al. D13/147
D539,225 S * 3/2007 Kishi et al. D13/147
D562,773 S * 2/2008 Peng D13/147
D582,858 S * 12/2008 Hoshino et al. D13/147
D590,345 S * 4/2009 Chen et al. D13/147

D603,798 S * 11/2009 Obikane et al. D13/147
D603,801 S * 11/2009 Obikane et al. D13/147
D607,409 S * 1/2010 Takahashi et al. D13/147

FOREIGN PATENT DOCUMENTS

JP D1355265 S 4/2009
JP D1417538 S 6/2011

* cited by examiner

Primary Examiner — Daniel Bui

(74) *Attorney, Agent, or Firm* — Brinks Hofer Gilson & Lione

(57) **CLAIM**

We claim the ornamental design for a connector, as shown and described.

DESCRIPTION

FIG. 1 is a top perspective view of a connector showing our new design;
FIG. 2 is a front view thereof;
FIG. 3 is a first side view thereof, the second side view being a mirror image thereof;
FIG. 4 is a top thereof;
FIG. 5 is a bottom view thereof; and,
FIG. 6 is a cross-section view taken along the line 6-6 of FIG. 2.

The broken line in the figure drawings is included for the purpose of illustrating environment and forms no part of the claimed design. The dash-dot line represents the boundary of the claimed design.

1 Claim, 6 Drawing Sheets

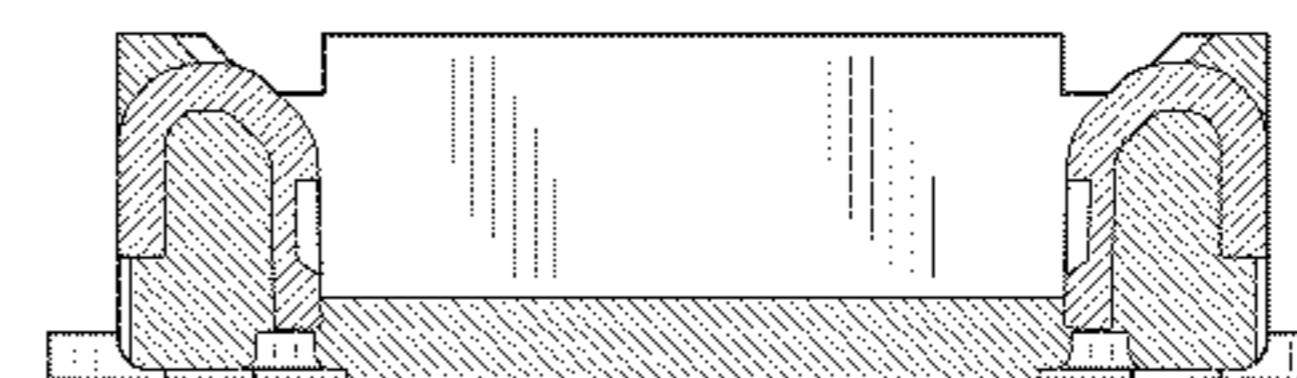
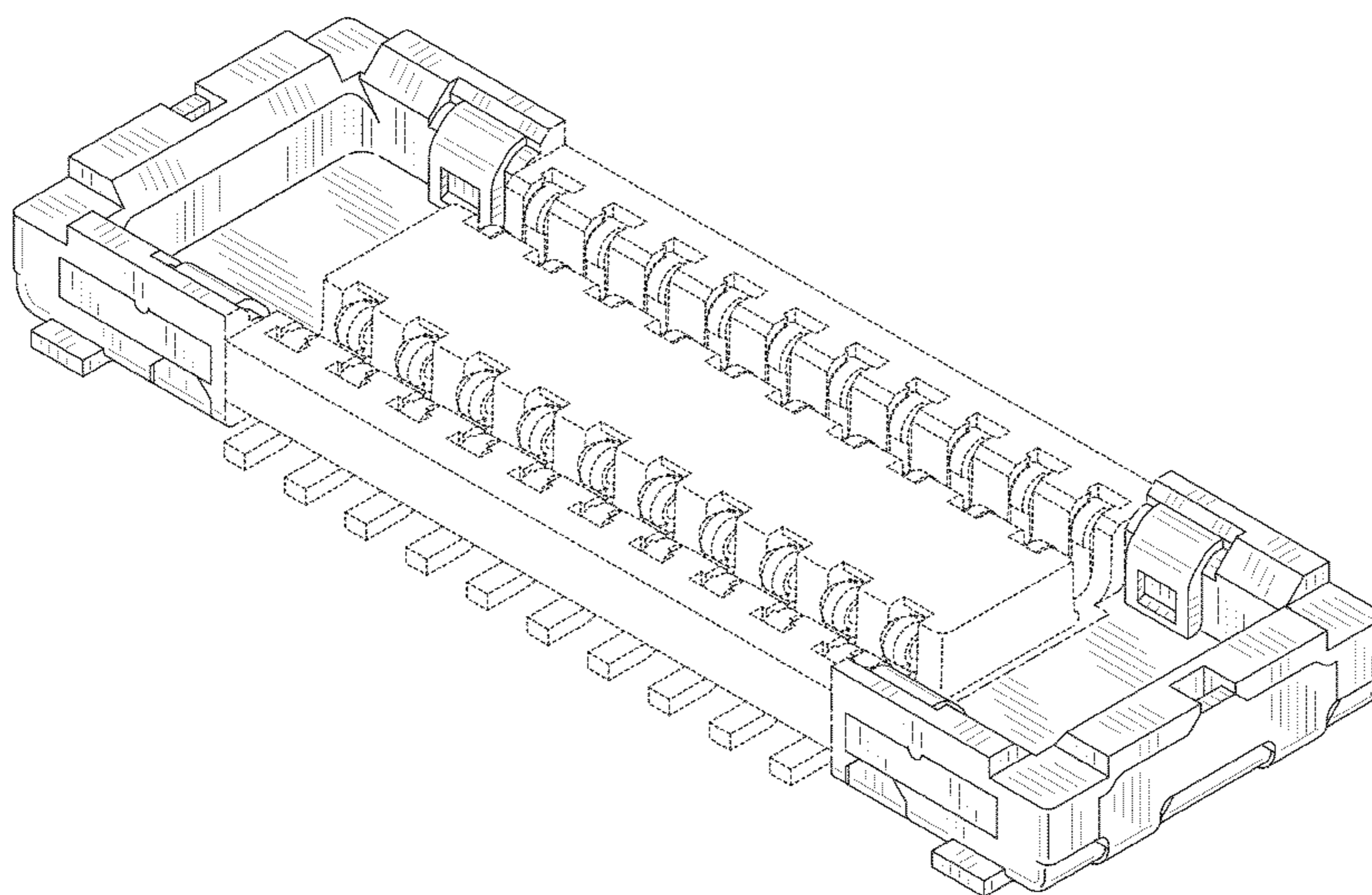


FIG. 1

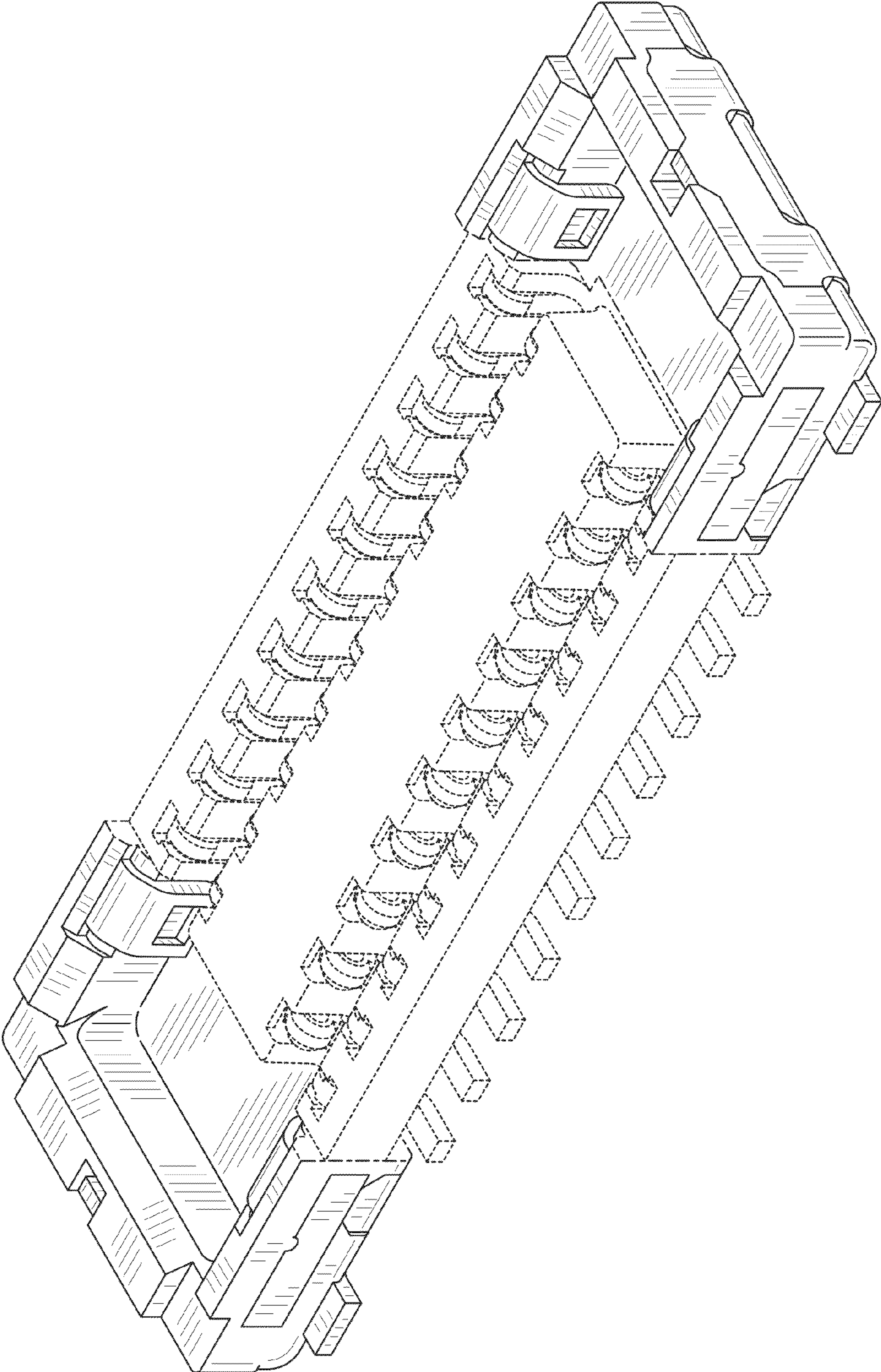


FIG. 2

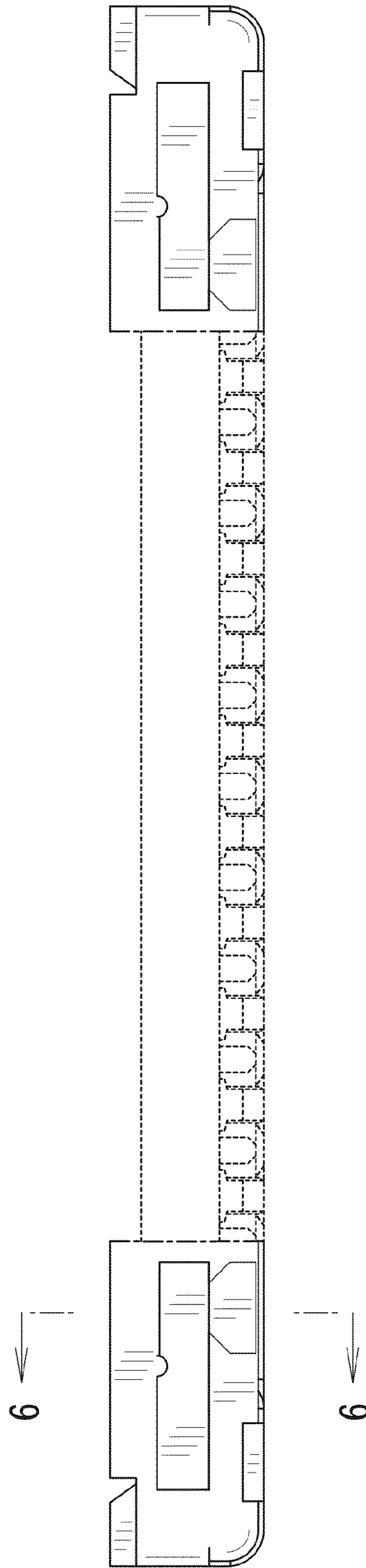


FIG. 3

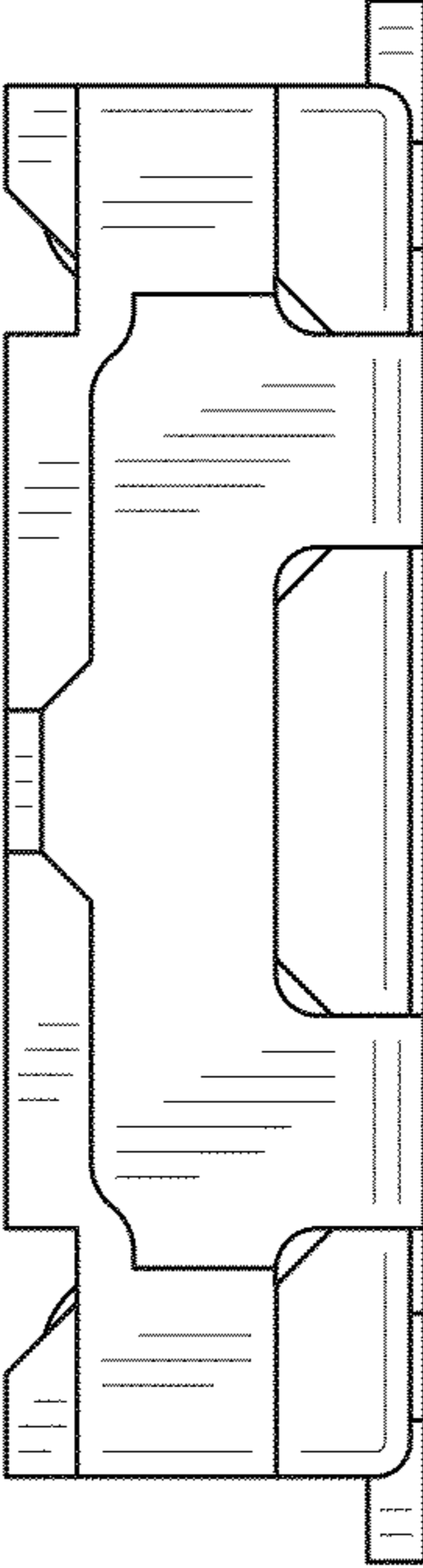


FIG. 4

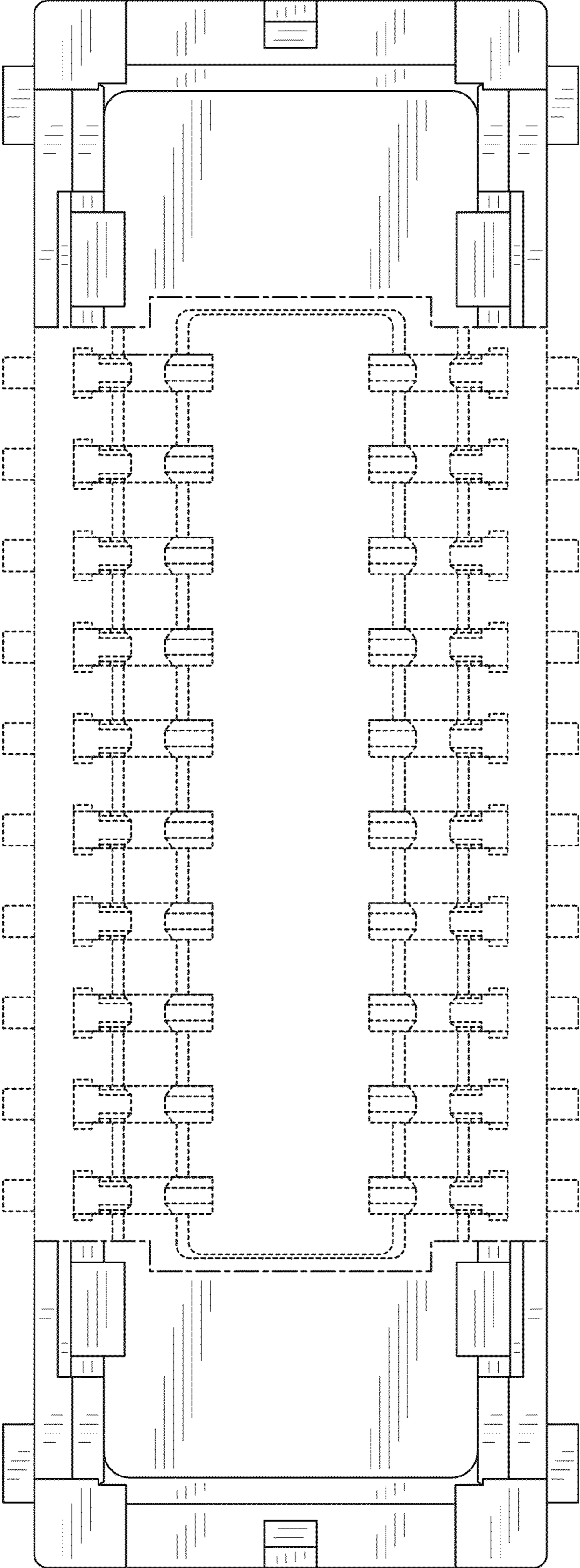


FIG. 5

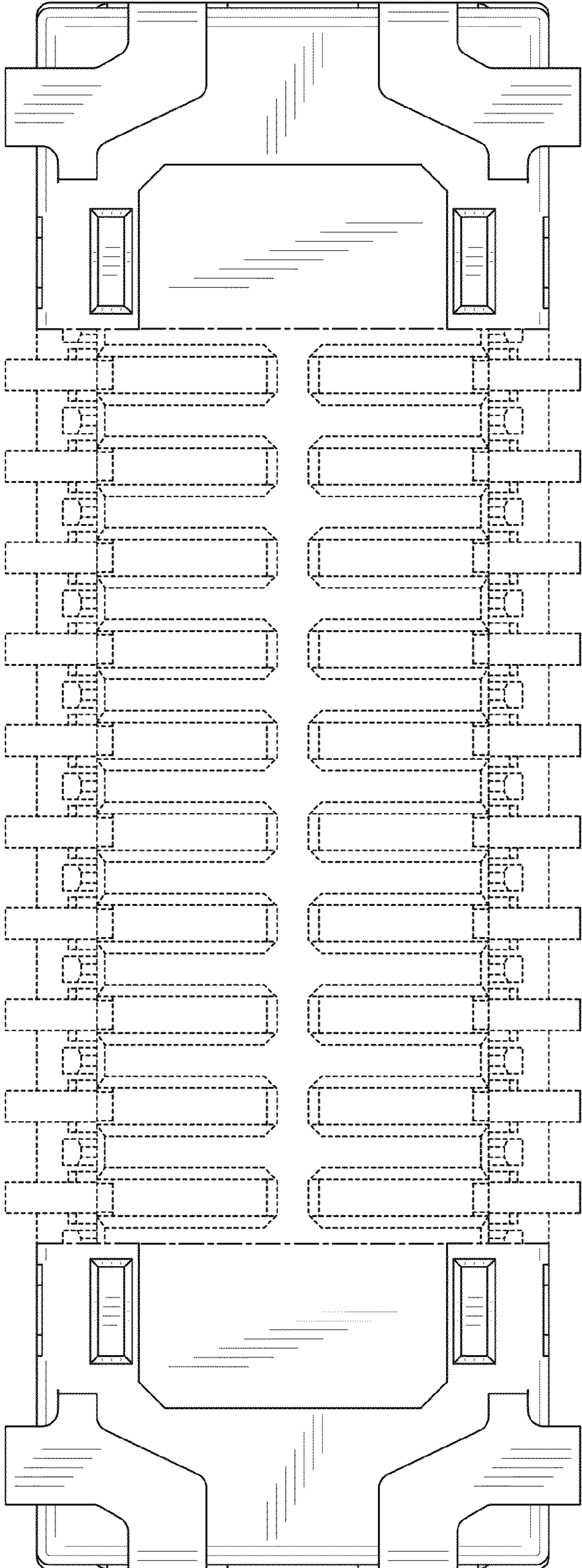


FIG. 6

