



US00D687381S

(12) **United States Design Patent**
Yang et al.

(10) **Patent No.:** **US D687,381 S**

(45) **Date of Patent:** **** Aug. 6, 2013**

(54) **RECEPTACLE FOR OPTICAL FIBER CONNECTOR**

(75) Inventors: **Guo Yang**, Guangdong (CN); **Qiyue Wang**, Guangdong (CN)

(73) Assignee: **SUNSEA Telecommunications Co., Ltd.**, Shenzhen, Guangdong (CN)

(**) Term: **14 Years**

(21) Appl. No.: **29/414,930**

(22) Filed: **Mar. 6, 2012**

(30) **Foreign Application Priority Data**

Feb. 27, 2012 (CN) 2012 3 0039953

(51) **LOC (9) Cl.** **13-03**

(52) **U.S. Cl.**
USPC **D13/147; D13/133**

(58) **Field of Classification Search**
USPC D13/133, 147, 154, 184, 199; 385/55,
385/56, 59, 76, 77, 78, 88, 89
See application file for complete search history.

(56) **References Cited**

U.S. PATENT DOCUMENTS

4,959,023	A *	9/1990	Watanabe et al.	439/595
5,293,581	A *	3/1994	DiMarco	385/76
6,193,420	B1 *	2/2001	Sikorski, Jr.	385/55
D459,311	S *	6/2002	Chen	D13/147
6,474,876	B1 *	11/2002	Sikorski, Jr.	385/55
D479,199	S *	9/2003	Jones et al.	D13/147

(Continued)

Primary Examiner — Daniel Bui

(74) *Attorney, Agent, or Firm* — Panitch Schwarze Belisario & Nadel LLP

(57) **CLAIM**

The ornamental design for a receptacle for optical fiber connector, as shown and described.

DESCRIPTION

FIG. 1 is a left, front perspective view of a first embodiment of a receptacle for optical fiber connector showing our new design;

FIG. 2 is a left, rear perspective view thereof;

FIG. 3 is another left, front perspective view thereof;

FIG. 4 is a front view thereof;

FIG. 5 is a rear view thereof;

FIG. 6 is a left side view thereof;

FIG. 7 is a right side view thereof;

FIG. 8 is a top view thereof;

FIG. 9 is a bottom view thereof;

FIG. 10 is a left, front perspective view of a second embodiment of a receptacle for an optical fiber connector showing our new design;

FIG. 11 is another left, front perspective view thereof;

FIG. 12 is left, rear perspective view thereof;

FIG. 13 is a front view thereof;

FIG. 14 is a rear view thereof;

FIG. 15 is a left side view thereof;

FIG. 16 is a right side view thereof;

FIG. 17 is a top view thereof;

FIG. 18 is a bottom view thereof;

FIG. 19 is an enlarged view of portion A indicated in FIG. 3;

FIG. 20 is an enlarged view of portion B indicated in FIG. 1;

FIG. 21 is an enlarged view of portion C indicated in FIG. 2;

FIG. 22 is an enlarged view of portion D indicated in FIG. 10;

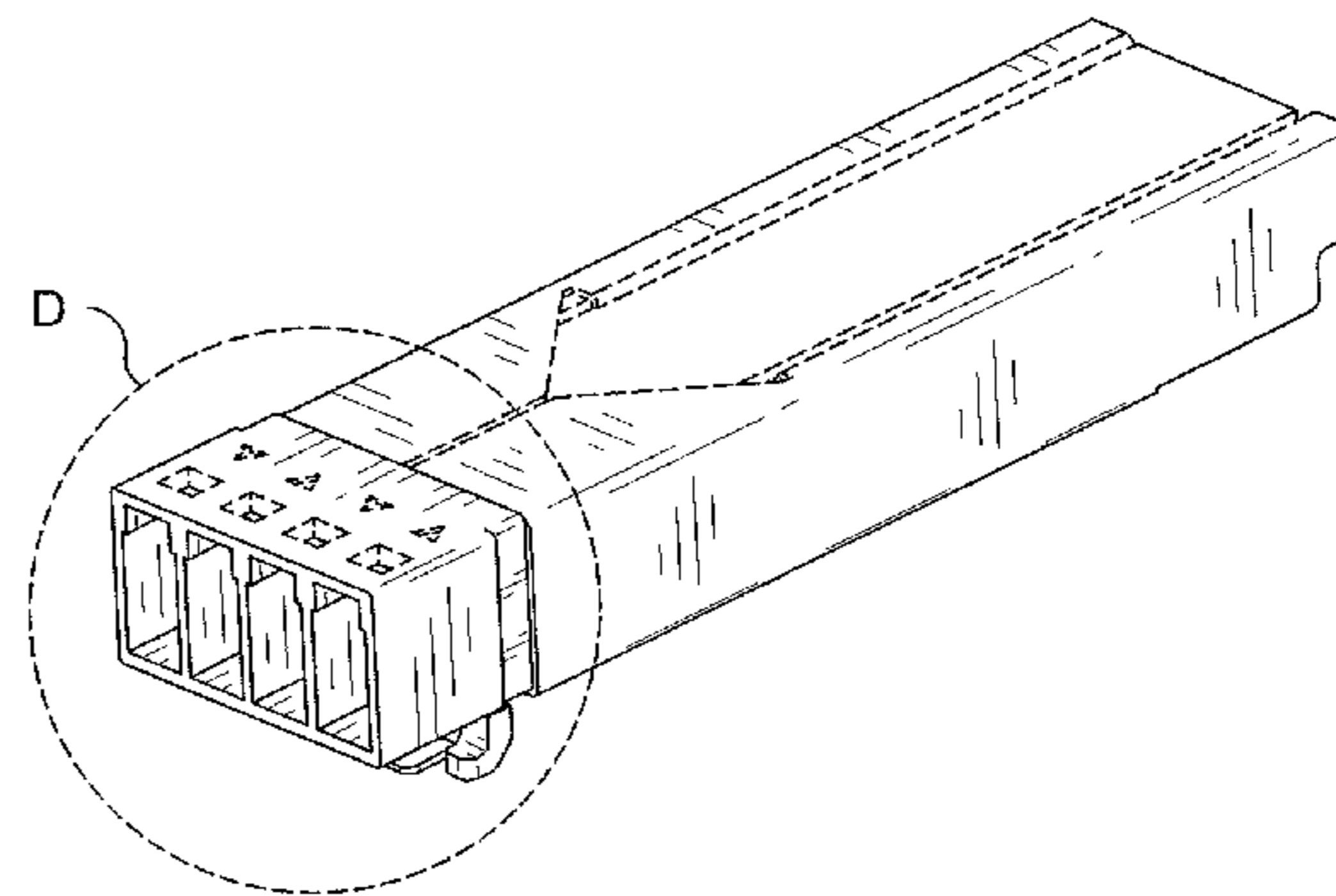
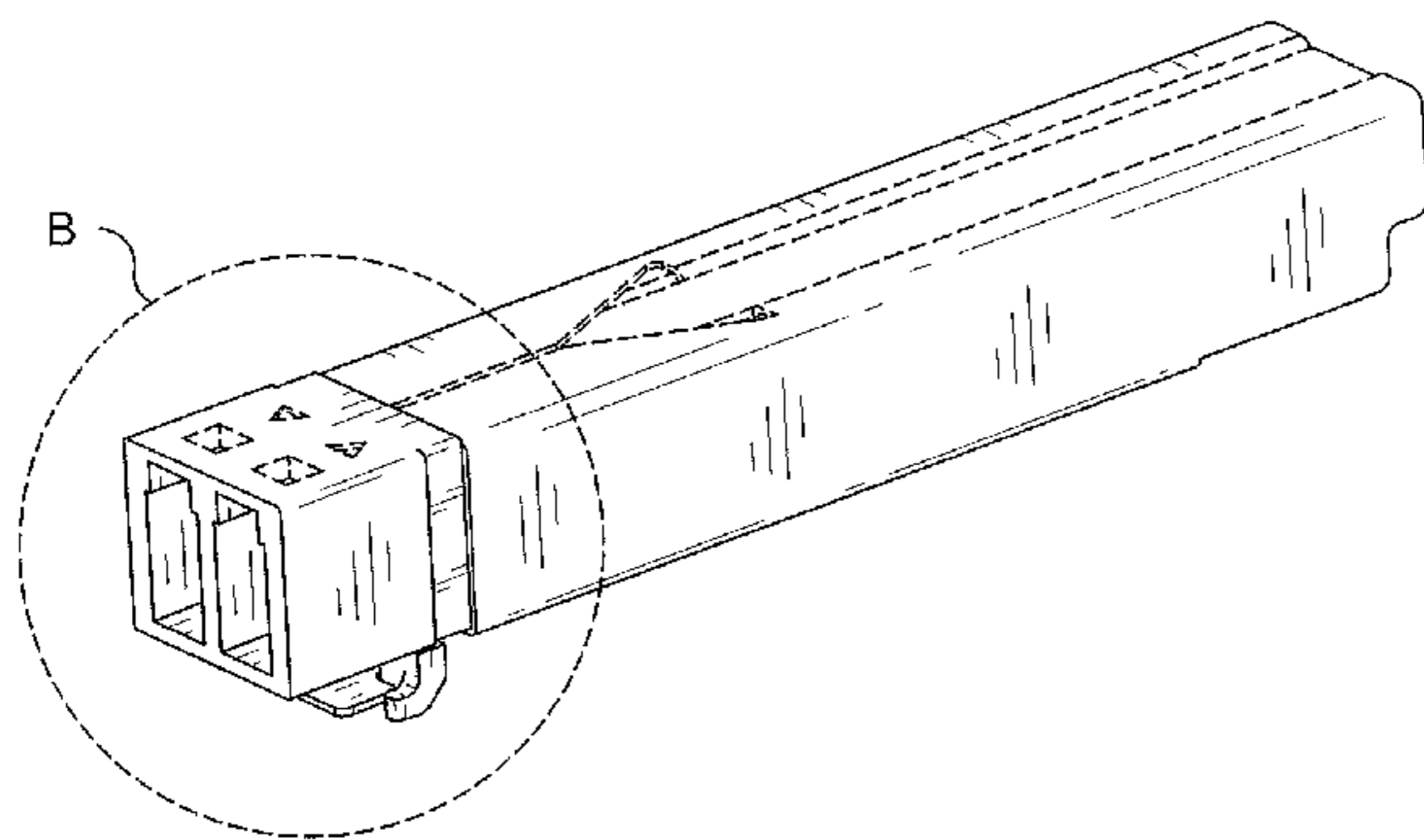
FIG. 23 is an enlarged view of portion E indicated in FIG. 11;

and,

FIG. 24 is an enlarged view of portion F indicated in FIG. 12.

The broken lines in the figures are for the purpose of showing unclaimed environmental structure only and form no part of the claimed design.

1 Claim, 12 Drawing Sheets



US D687,381 S

Page 2

U.S. PATENT DOCUMENTS

D529,444 S	*	10/2006	Kudo	D13/147	7,837,395 B2*	11/2010	Lin et al.	385/58
D531,960 S	*	11/2006	Kondas	D13/147	D655,677 S *	3/2012	Gouhl et al.	D13/146
D611,428 S	*	3/2010	Chapman	D13/154	* cited by examiner			

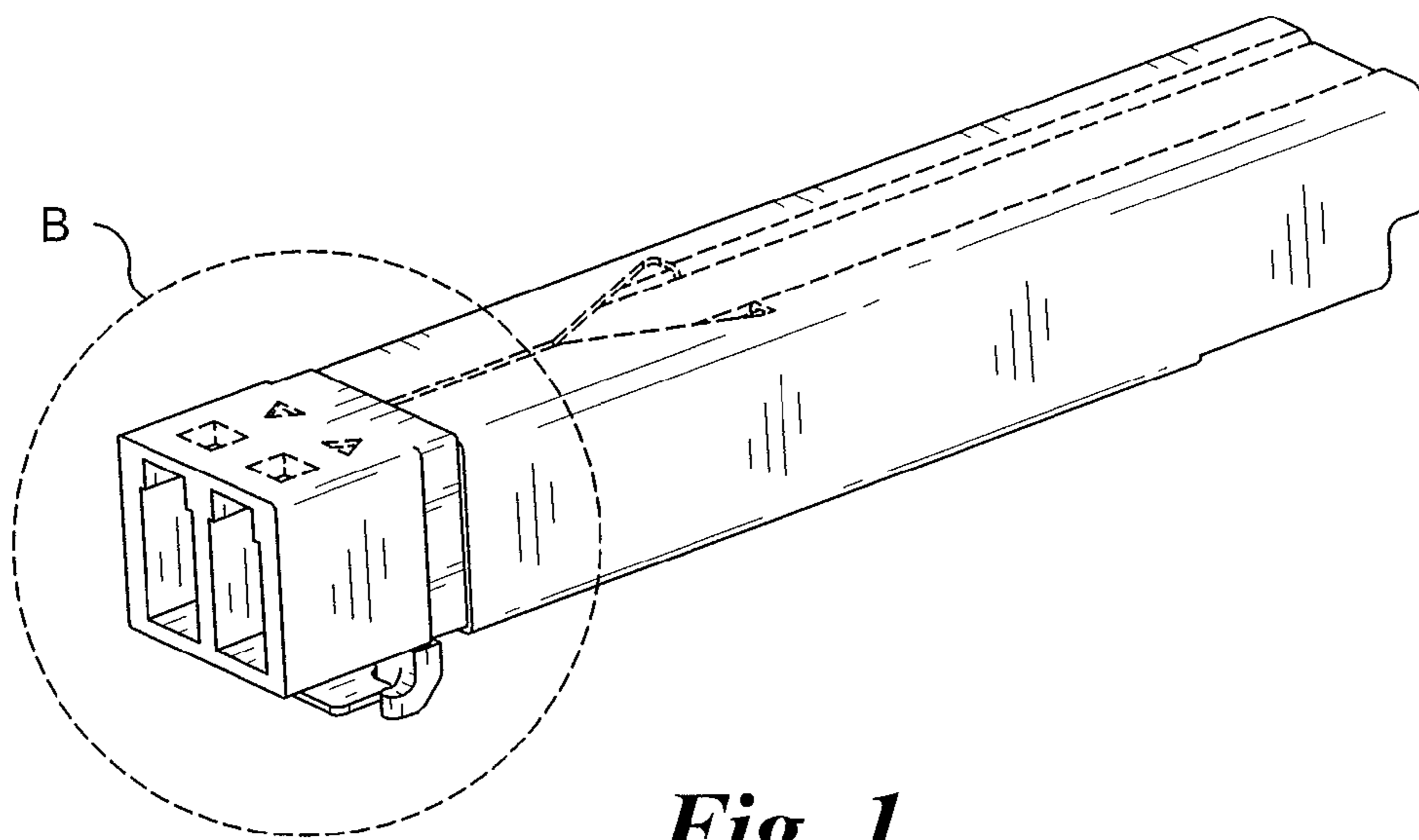


Fig. 1

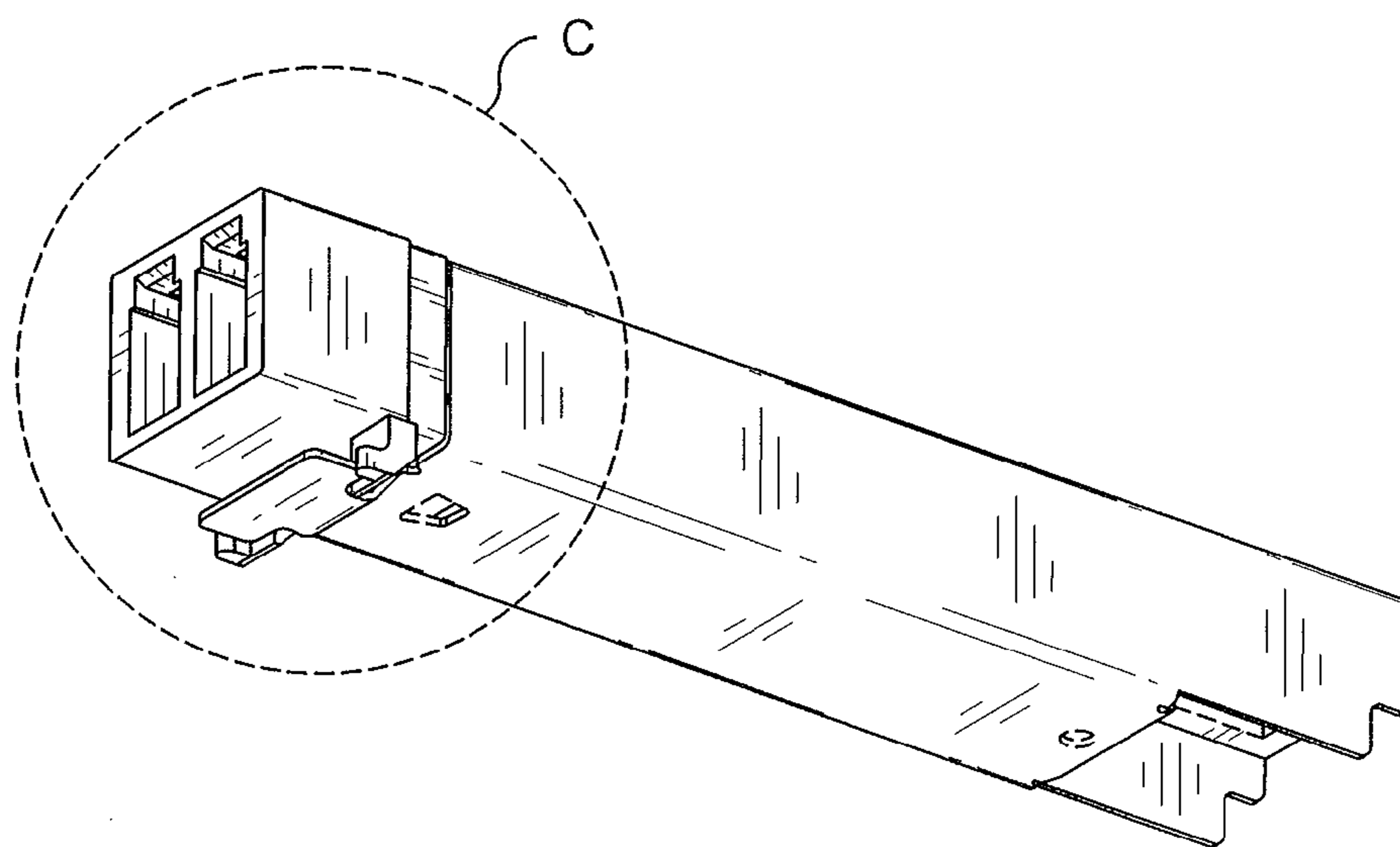


Fig. 2

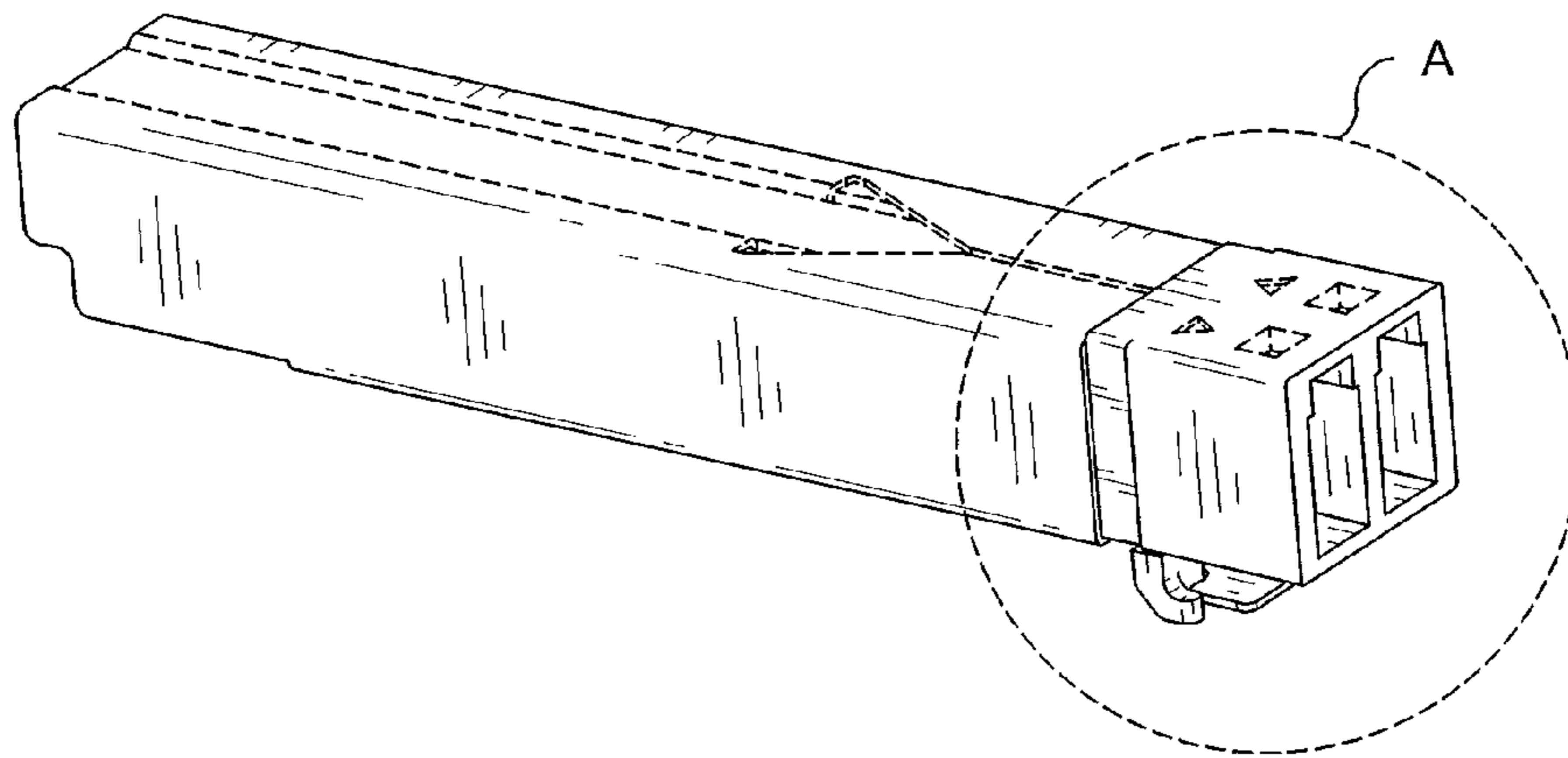


Fig. 3

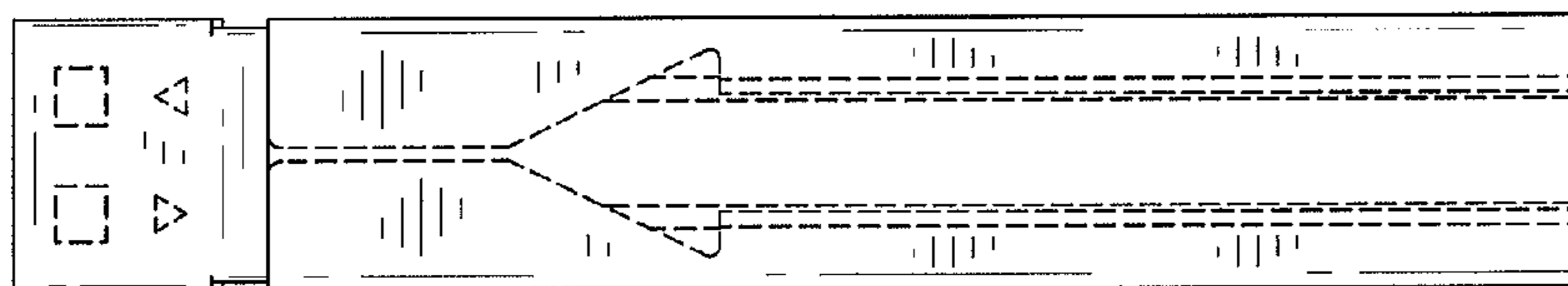


Fig. 4



Fig. 5

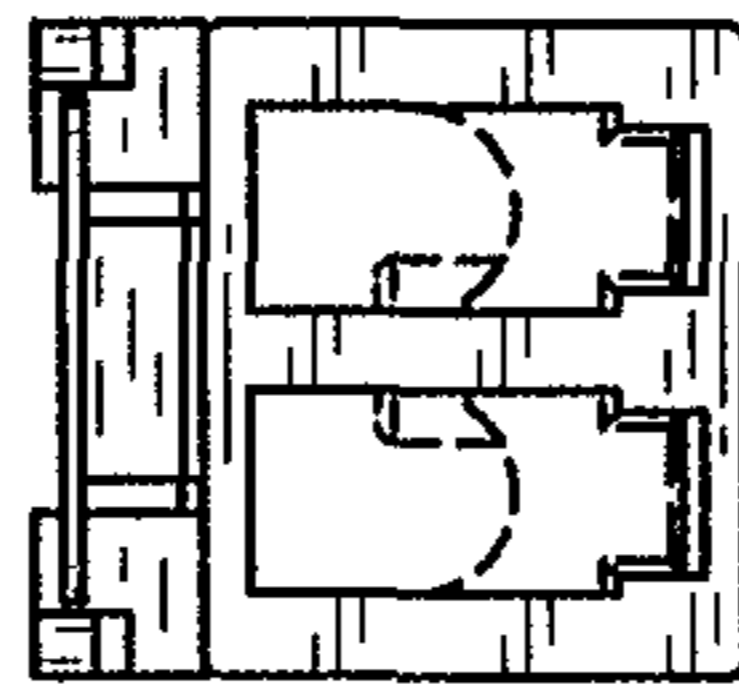


Fig. 6

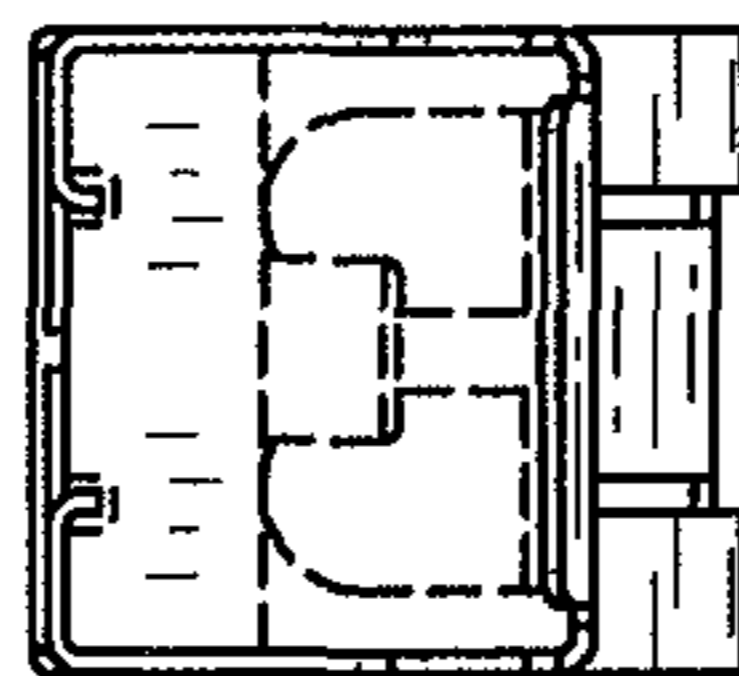


Fig. 7

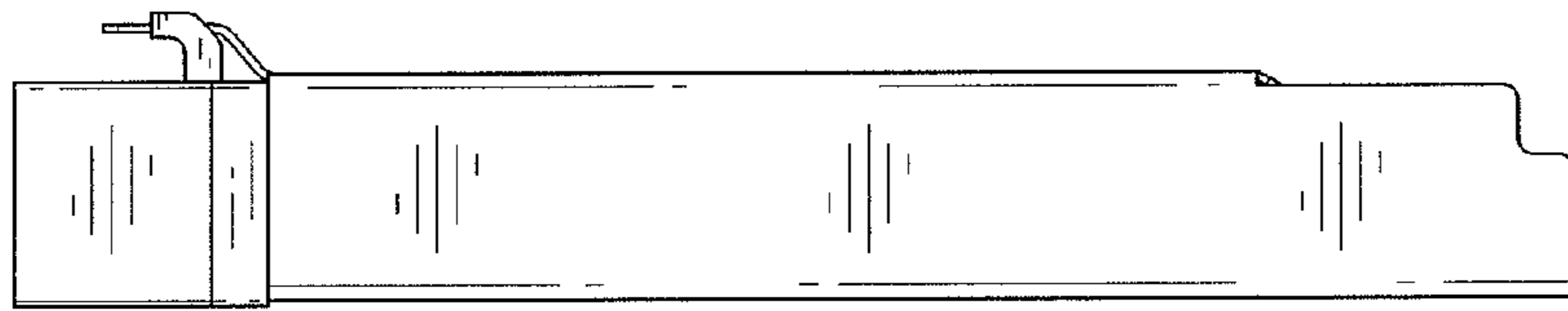


Fig. 8

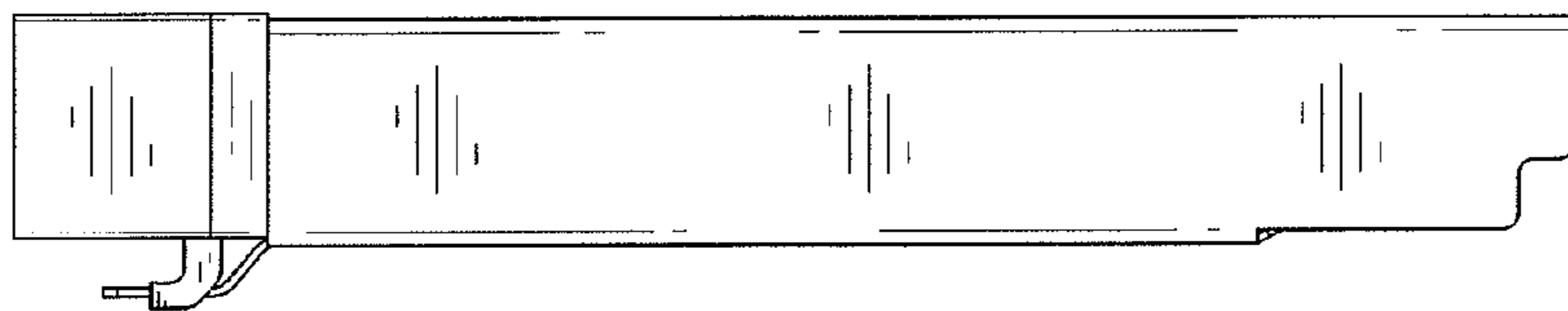


Fig. 9

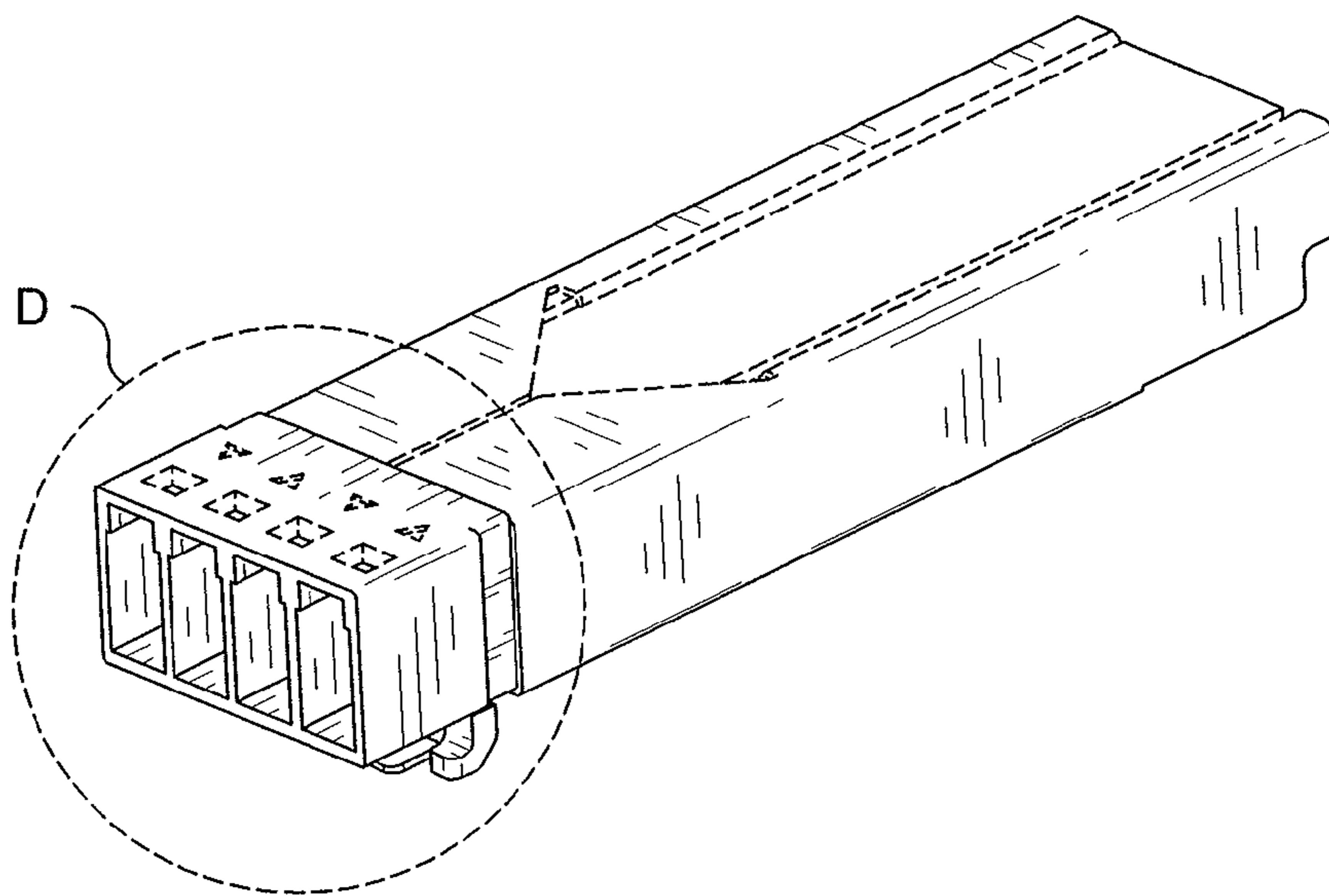


Fig. 10

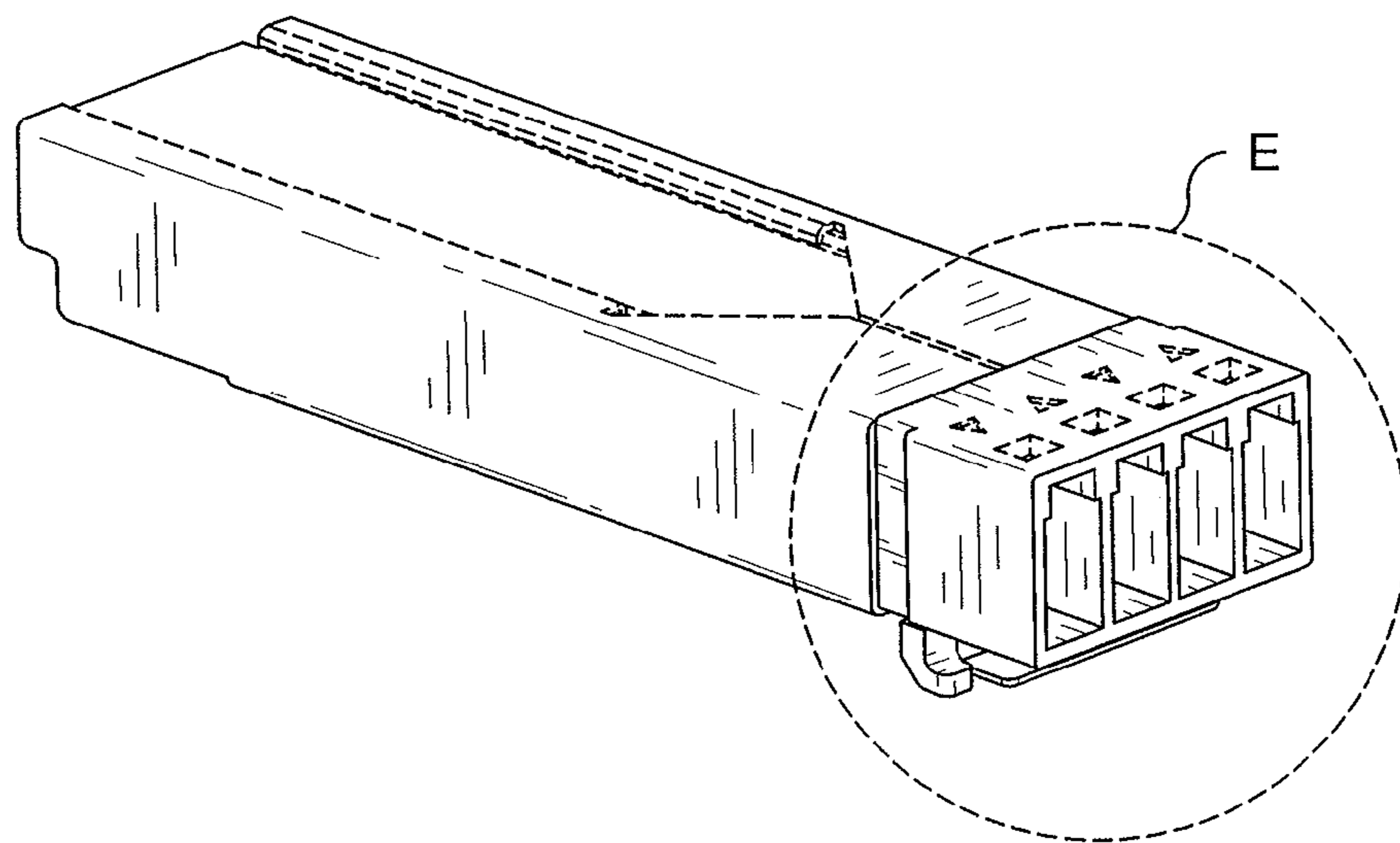


Fig. 11

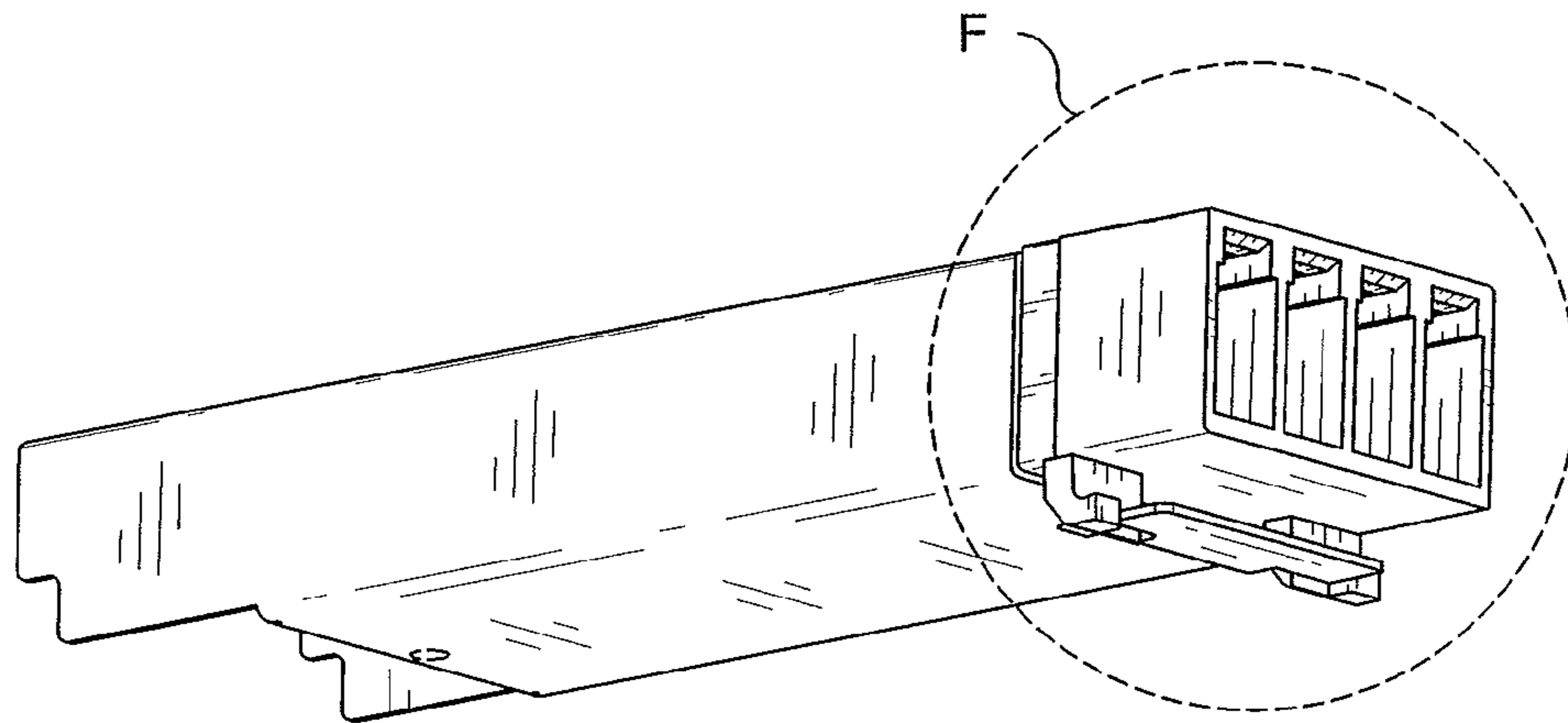


Fig. 12

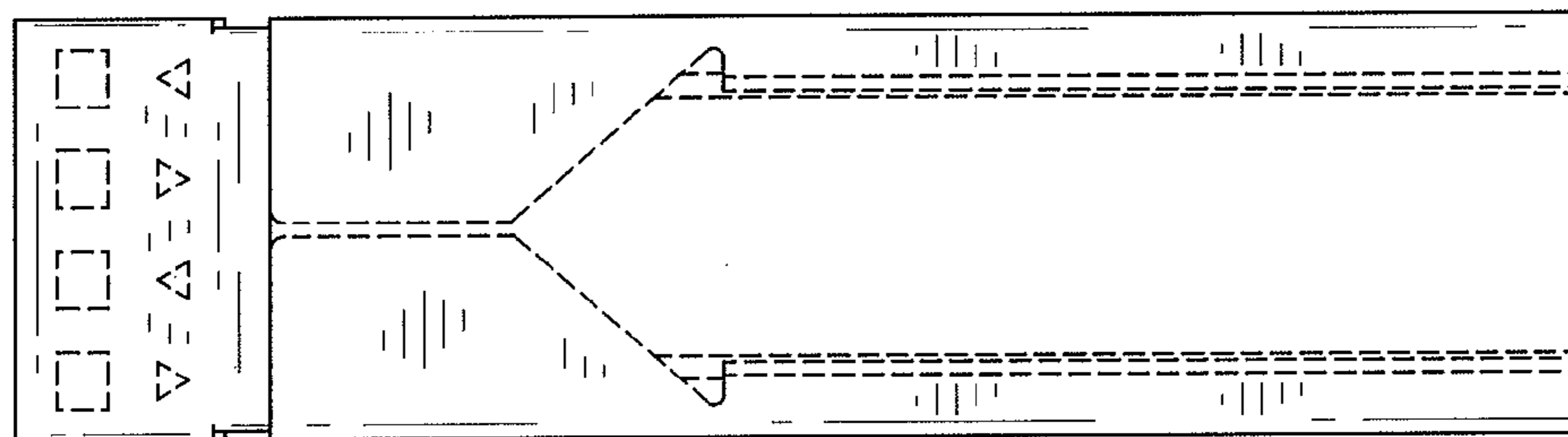


Fig. 13

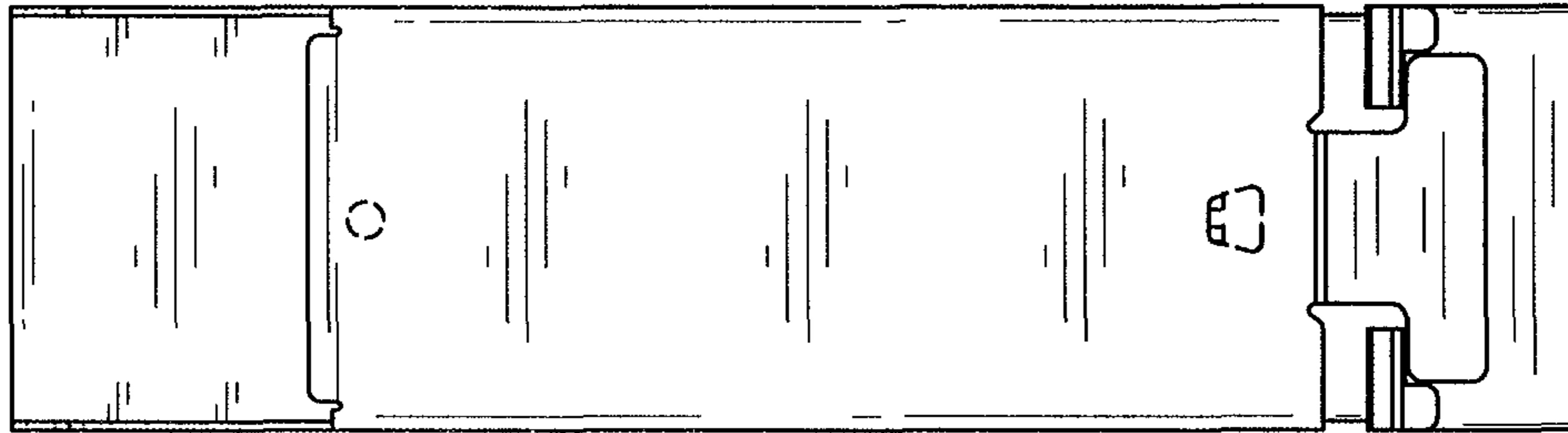


Fig. 14

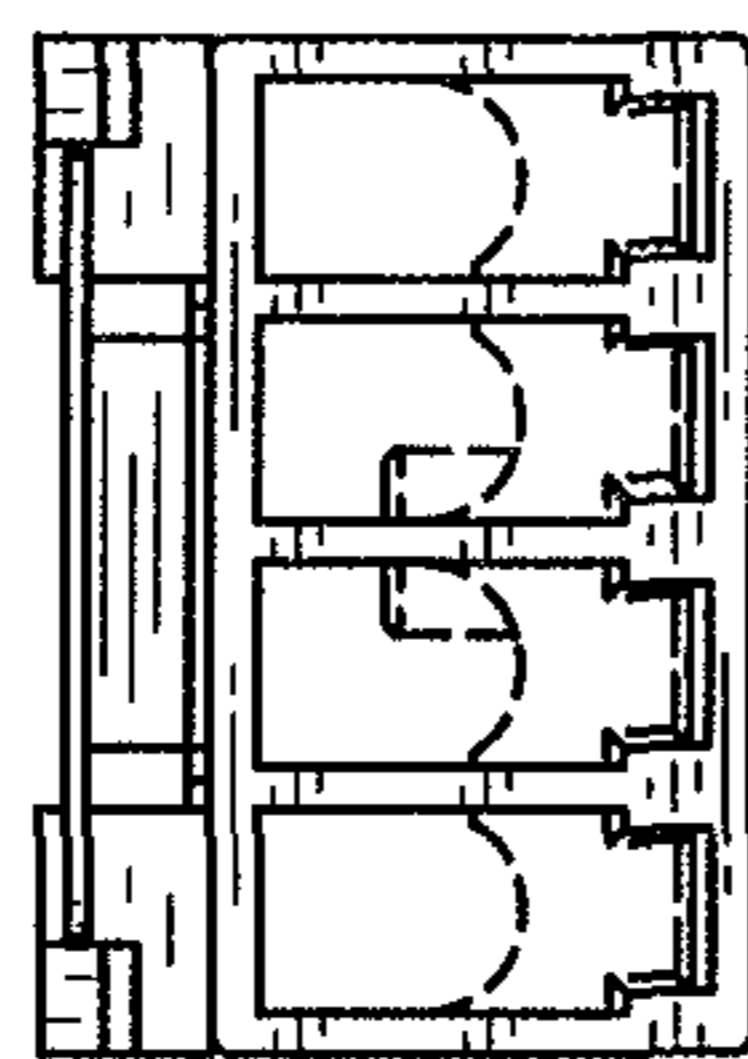


Fig. 15

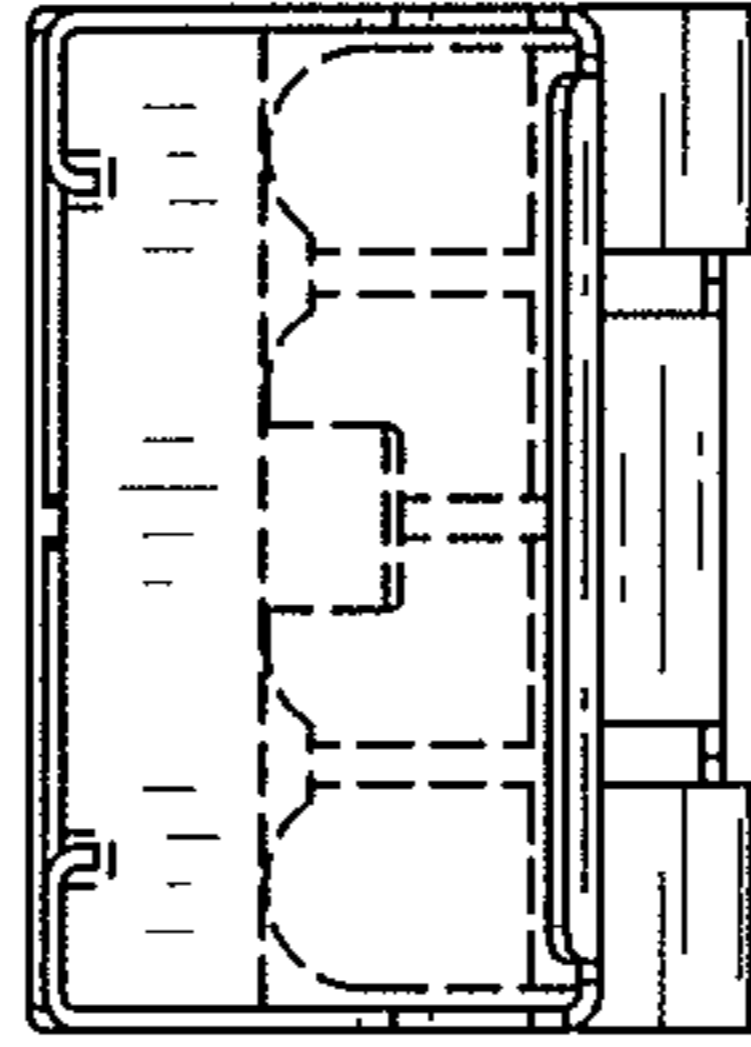


Fig. 16

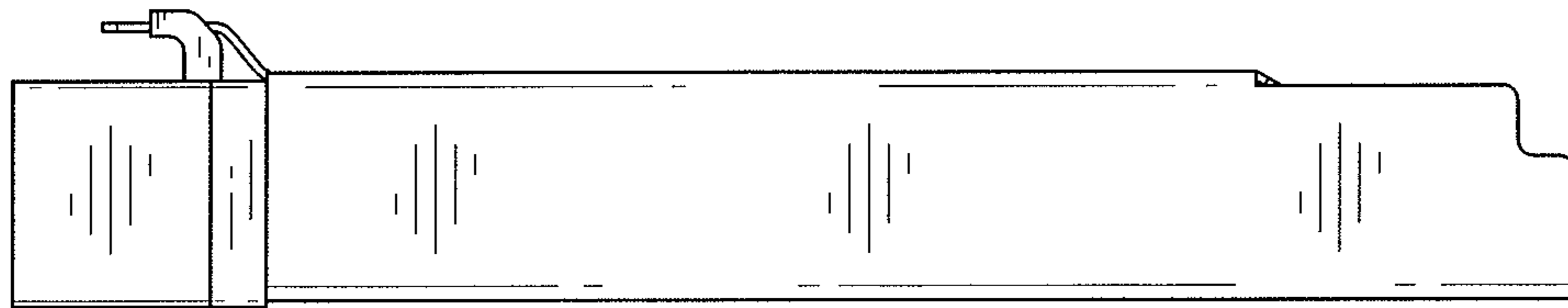


Fig. 17

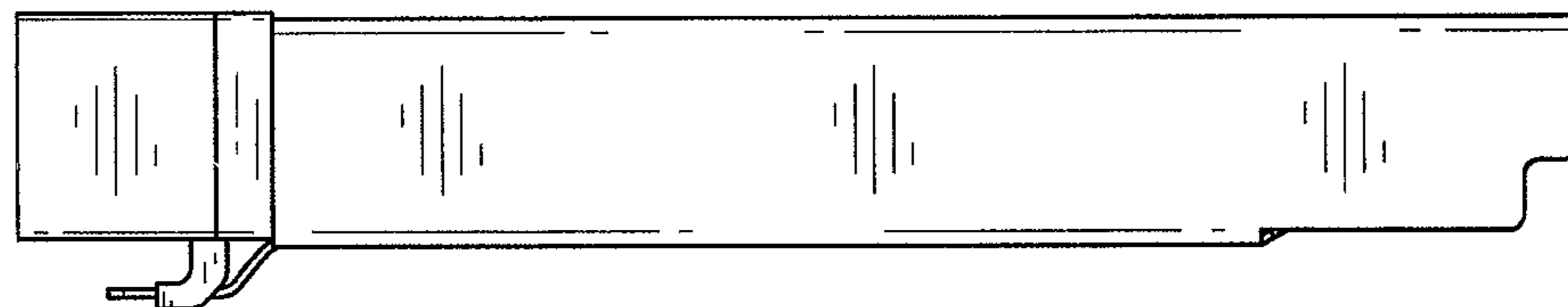


Fig. 18

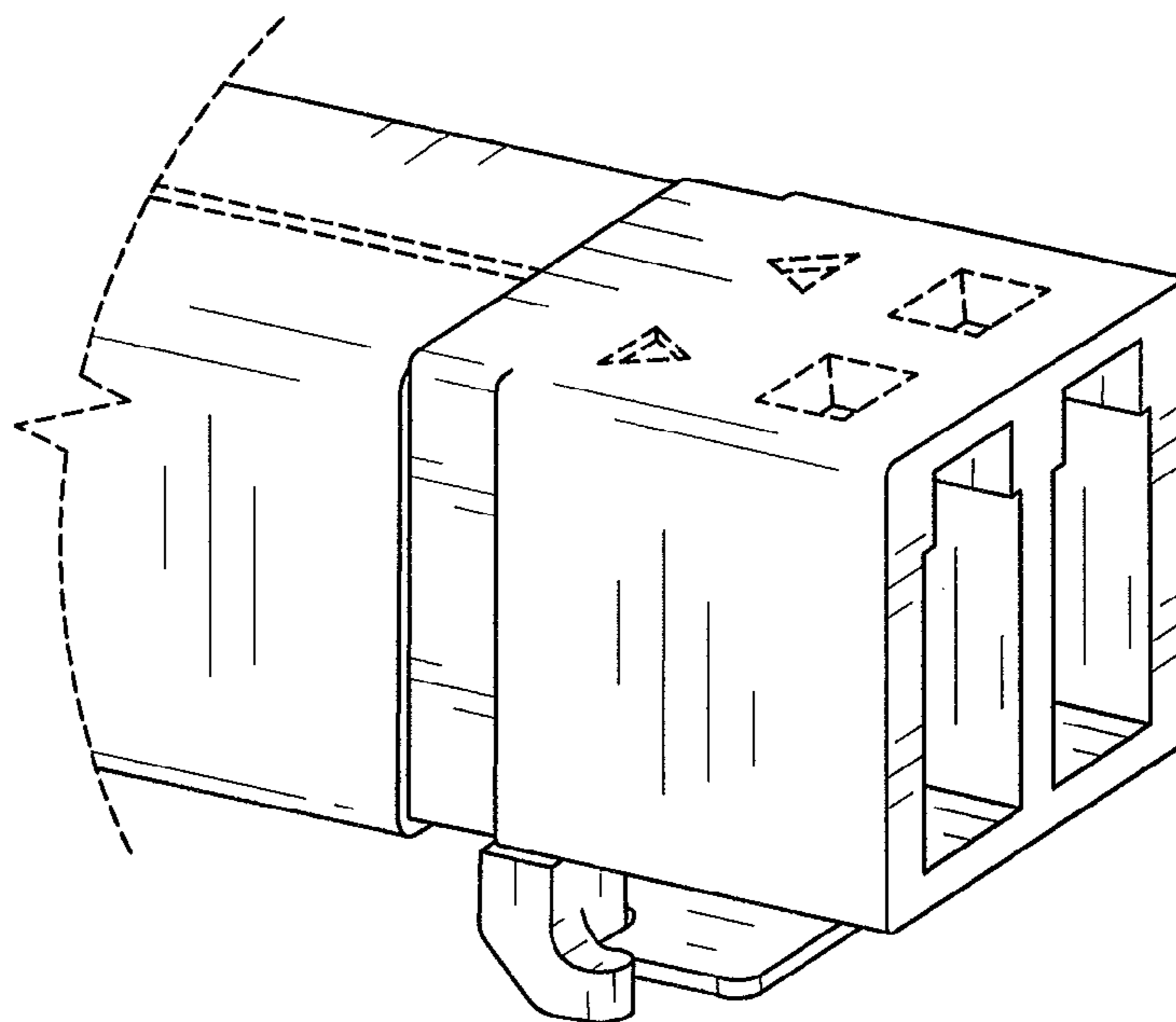


Fig. 19

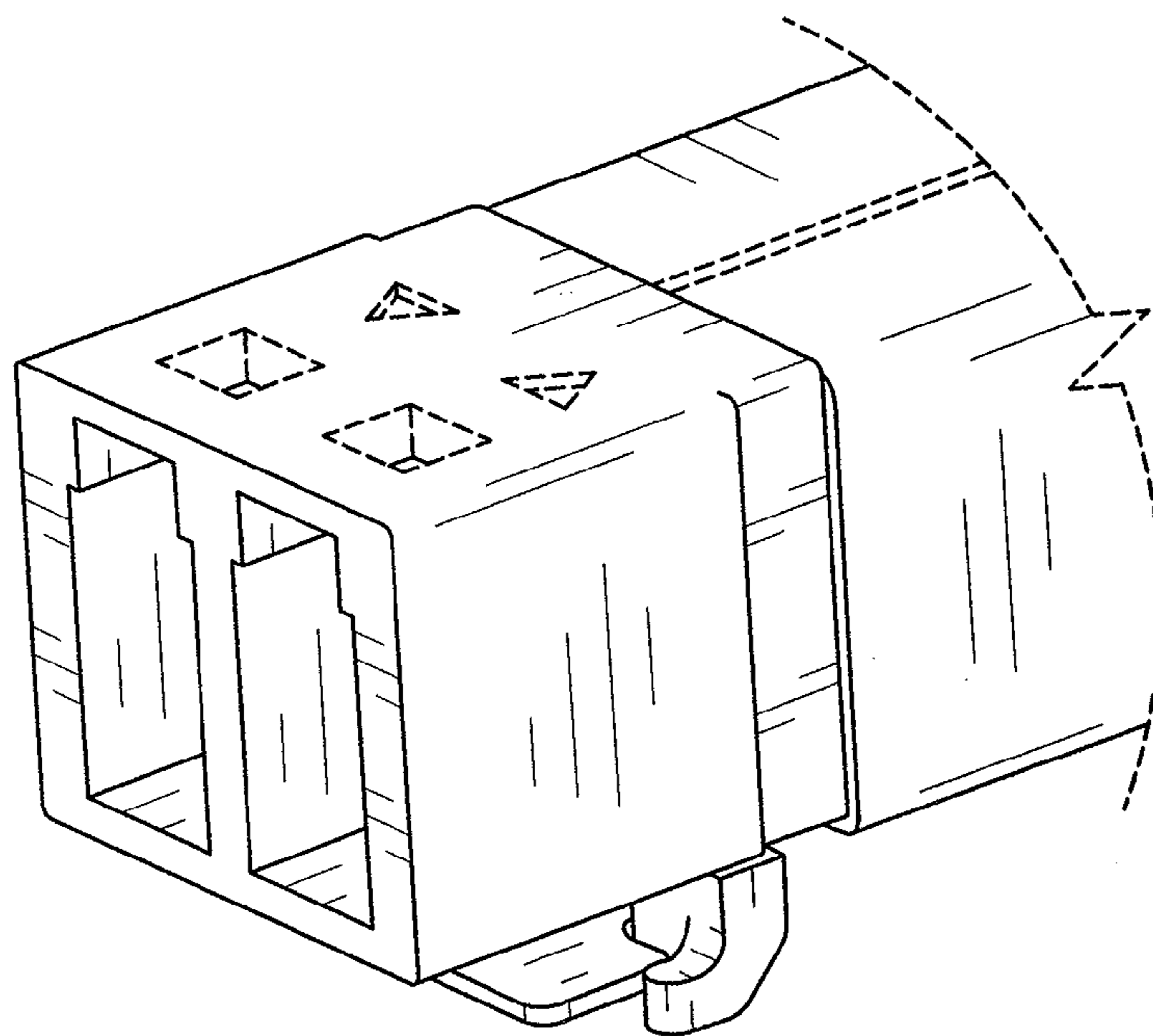


Fig. 20

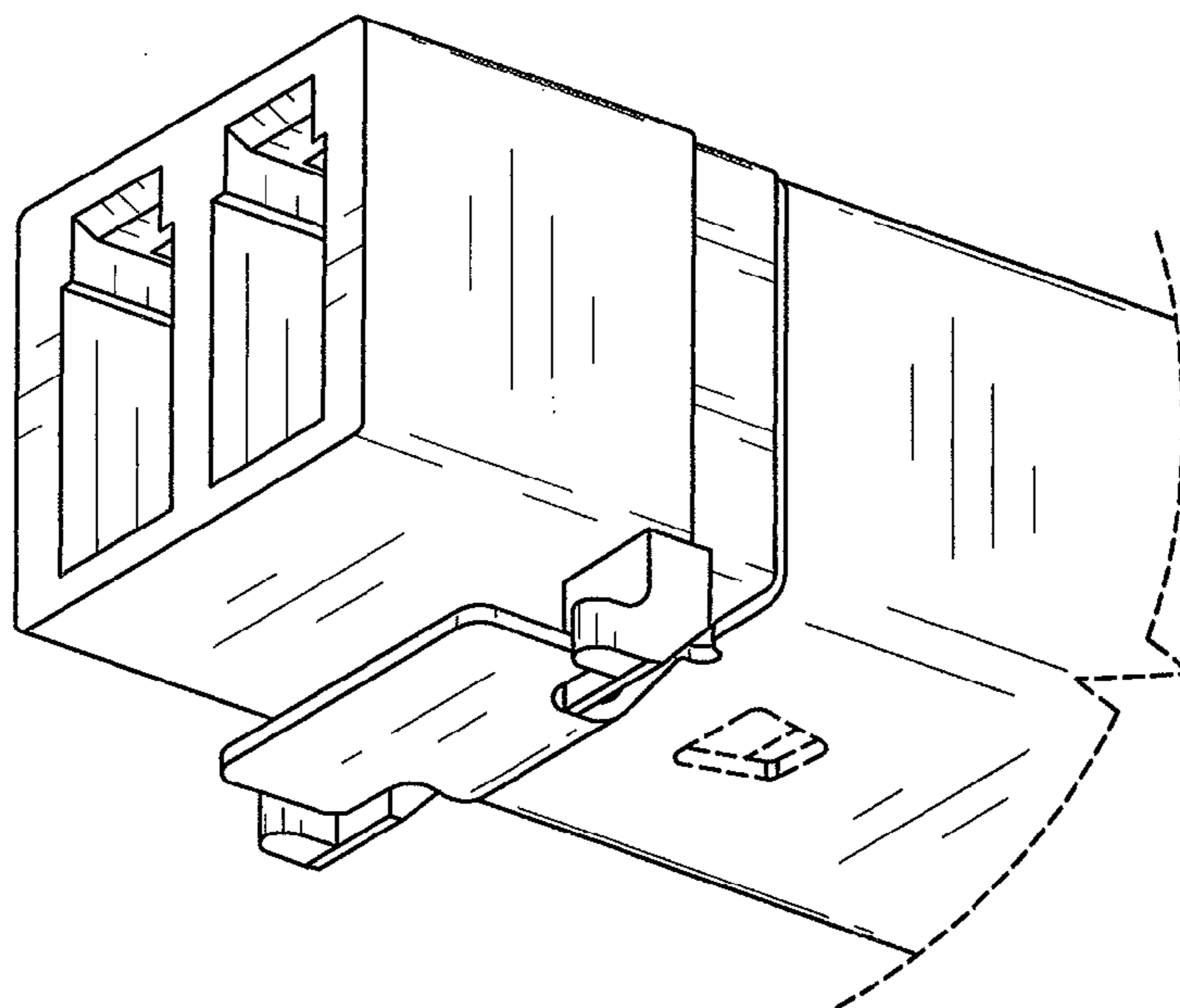


Fig. 21

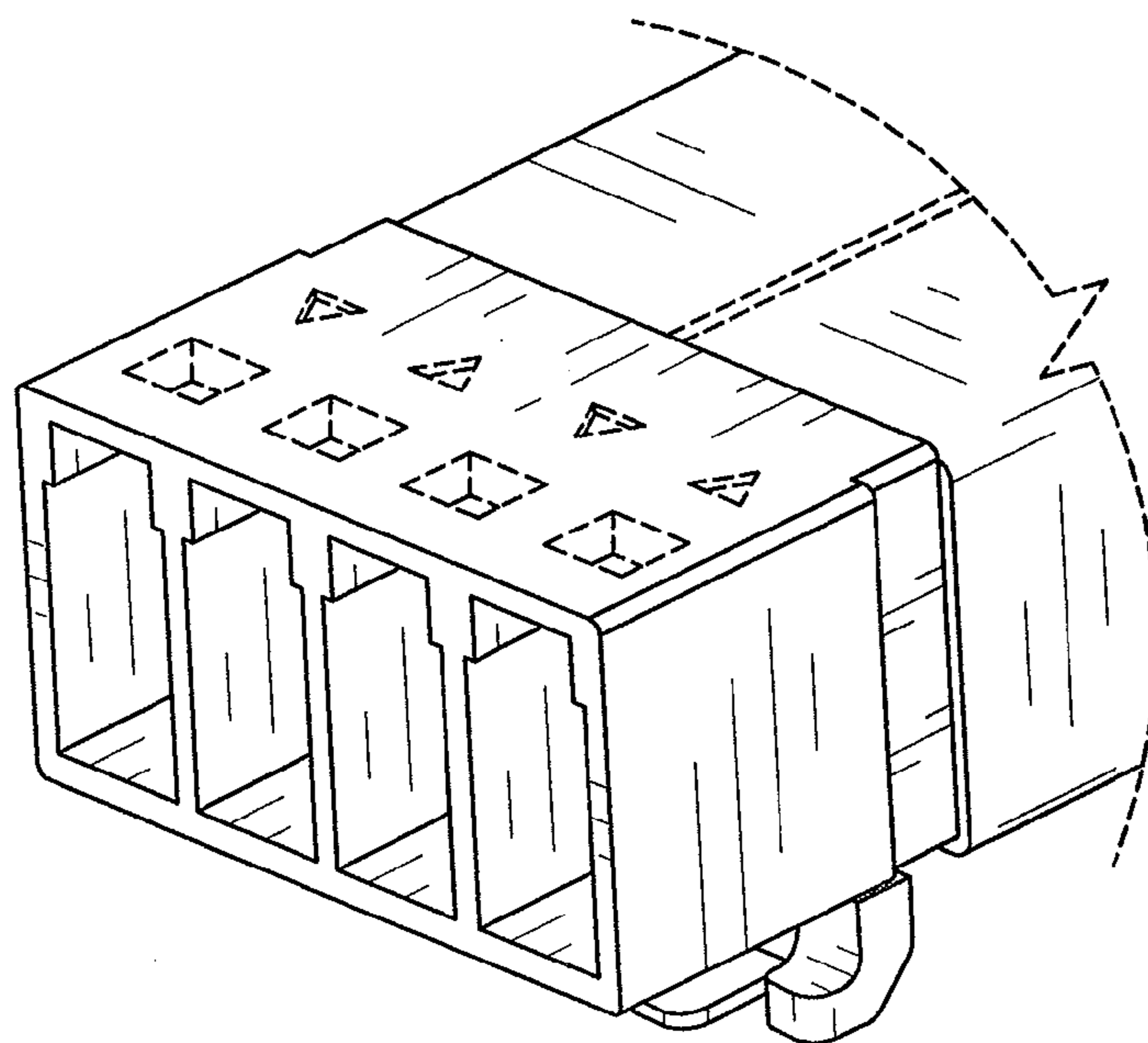


Fig. 22

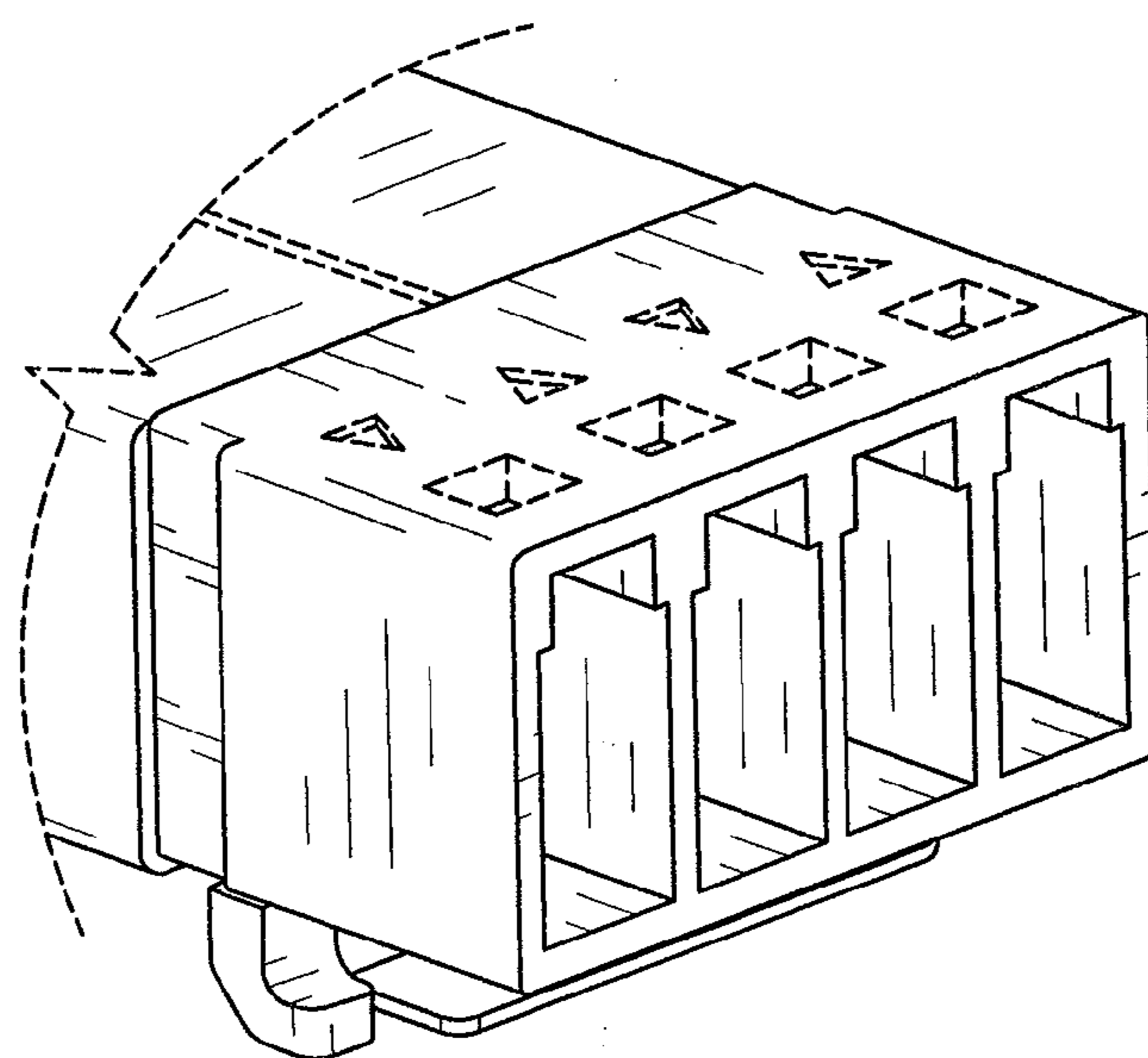


Fig. 23

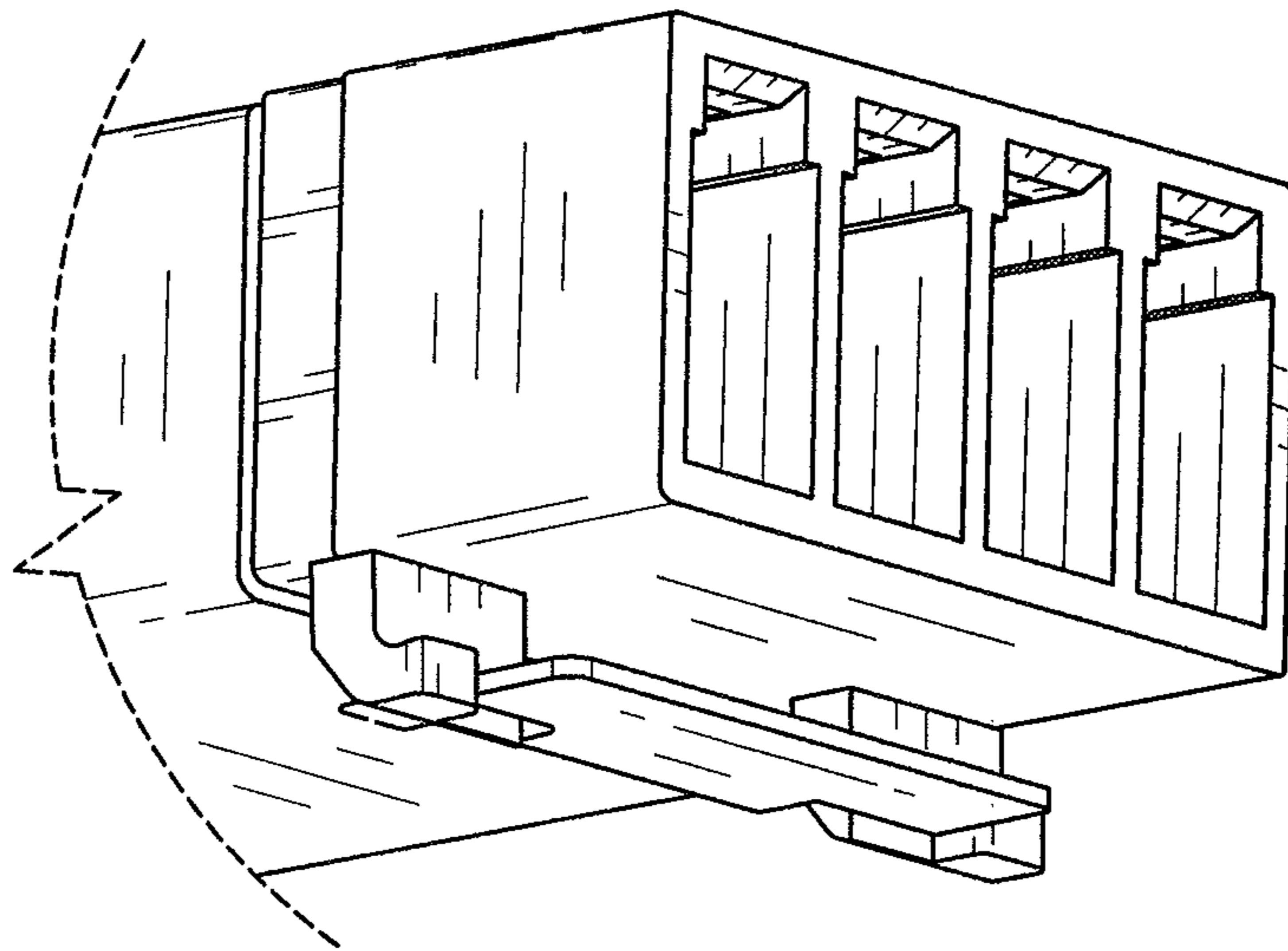


Fig. 24