



US00D687379S

(12) **United States Design Patent**  
**Palmer**

(10) **Patent No.:** **US D687,379 S**

(45) **Date of Patent:** **\*\* Aug. 6, 2013**

(54) **MOTOR**

(75) Inventor: **Dustin W. Palmer**, Orem, UT (US)

(73) Assignee: **Victorio Kitchen Products Corp.**,  
Orem, UT (US)

(\*\*) Term: **14 Years**

(21) Appl. No.: **29/420,158**

(22) Filed: **May 4, 2012**

(51) **LOC (9) Cl.** ..... **13-01**

(52) **U.S. Cl.**  
USPC ..... **D13/112**

(58) **Field of Classification Search**

USPC ..... D13/112, 101, 110, 122, 123, 184,  
D13/199; D14/188, 222, 353, 358; 318/560;  
361/600, 601, 622, 679.32, 725, 730, 733;  
363/13; D15/199

See application file for complete search history.

(56) **References Cited**

**U.S. PATENT DOCUMENTS**

D575,731 S \* 8/2008 Gherlenda ..... D13/112  
D593,942 S \* 6/2009 Lannoch ..... D13/112

D601,958 S \* 10/2009 Huan et al. .... D13/112  
D608,279 S \* 1/2010 Lannoch ..... D13/112  
D623,592 S \* 9/2010 Huang et al. .... D13/110  
D631,436 S \* 1/2011 Huang et al. .... D13/110  
D633,867 S \* 3/2011 Sasaki et al. .... D13/112  
D637,562 S \* 5/2011 Worm et al. .... D13/162

\* cited by examiner

*Primary Examiner* — Derrick Holland

(74) *Attorney, Agent, or Firm* — F. Chad Copier

(57) **CLAIM**

The ornamental design for a motor, as shown and described.

**DESCRIPTION**

FIG. 1 shows a perspective view of the motor.

FIG. 2 shows a front view of the motor.

FIG. 3 shows a side view of the motor.

FIG. 4 shows a rear view of the motor.

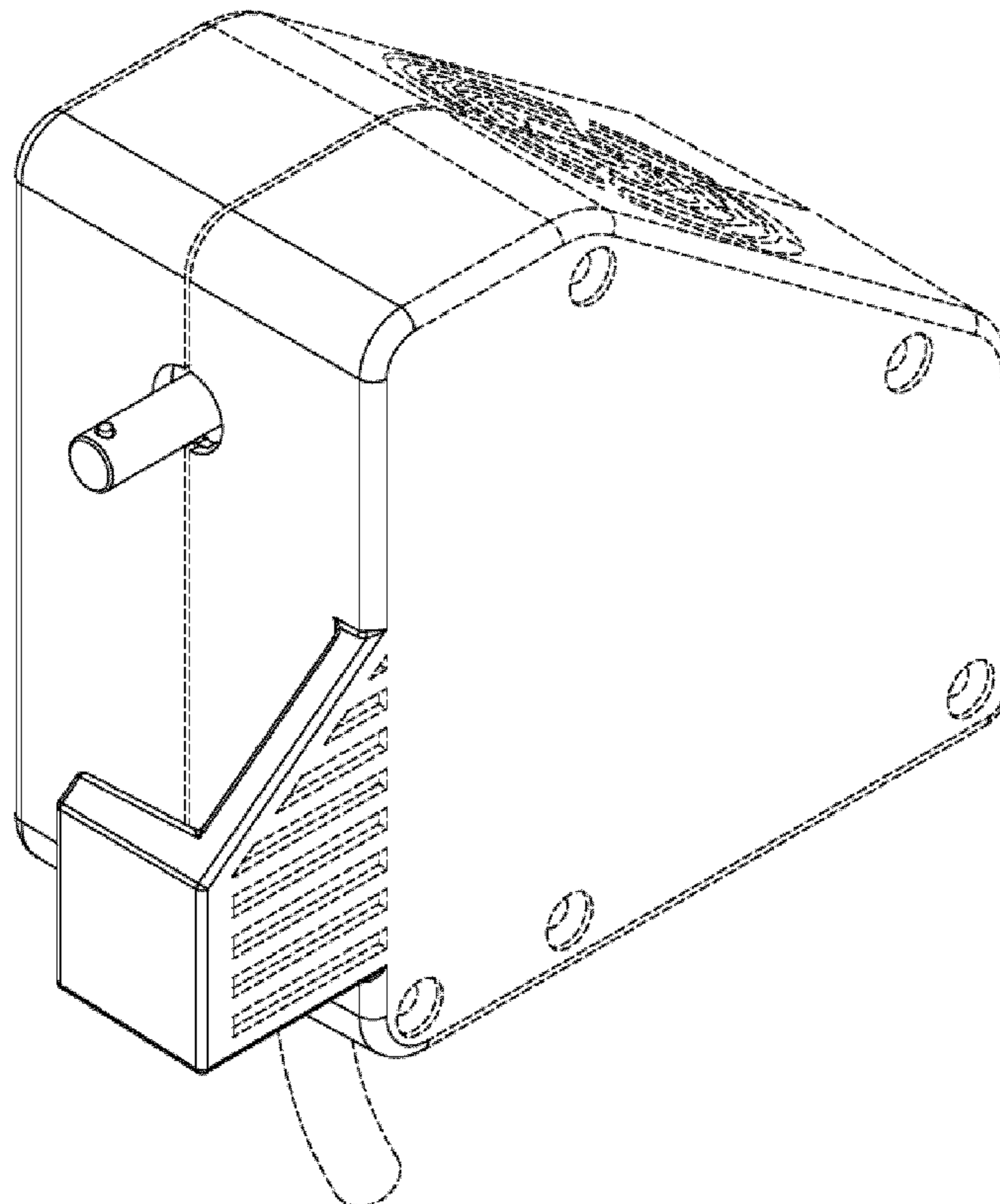
FIG. 5 shows another side view of the motor.

FIG. 6 shows a top view of the motor; and,

FIG. 7 shows a bottom view of the motor.

The broken lines shown represent unclaimed subject matter and form no part of the claimed design.

**1 Claim, 7 Drawing Sheets**



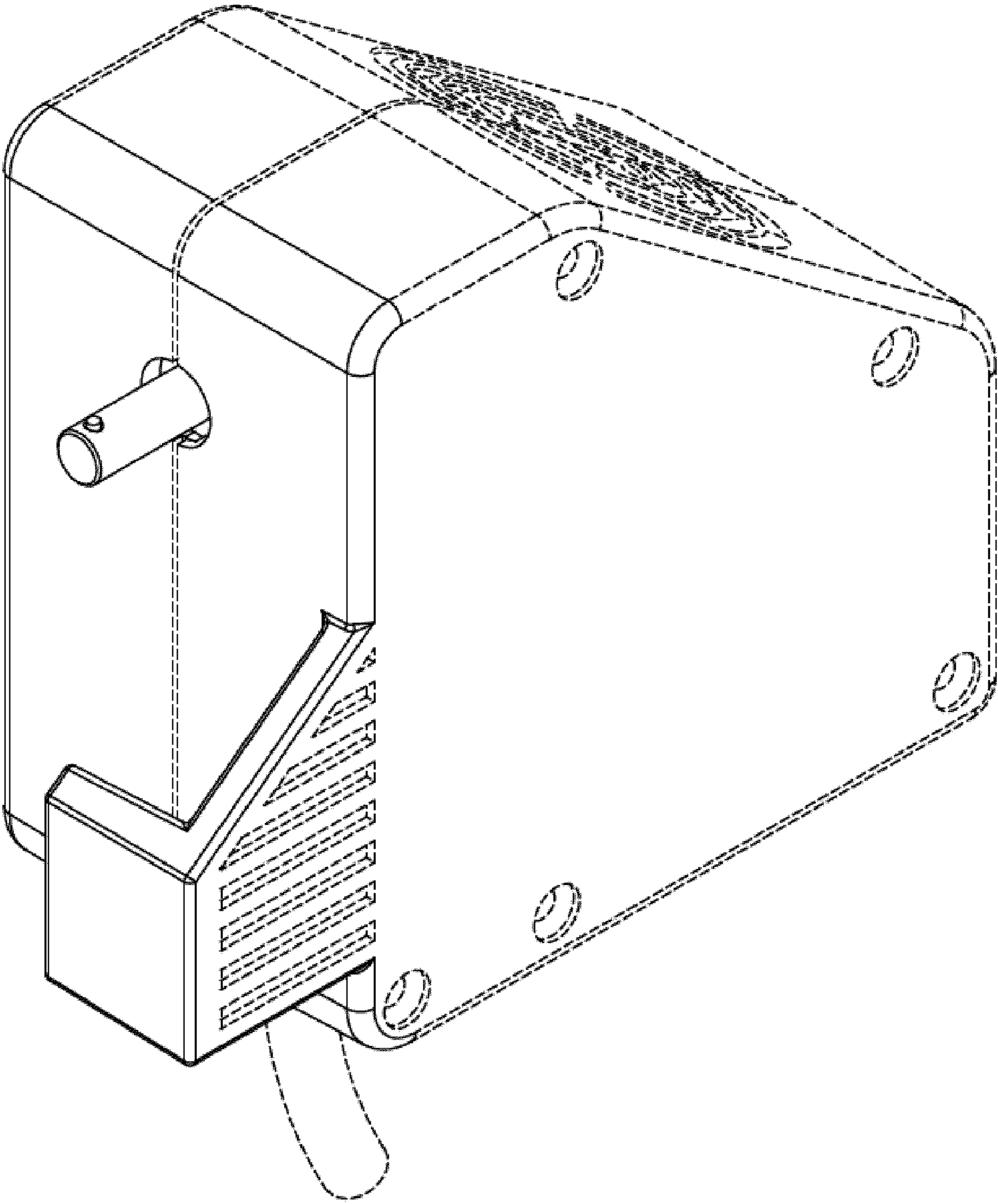


FIG. 1

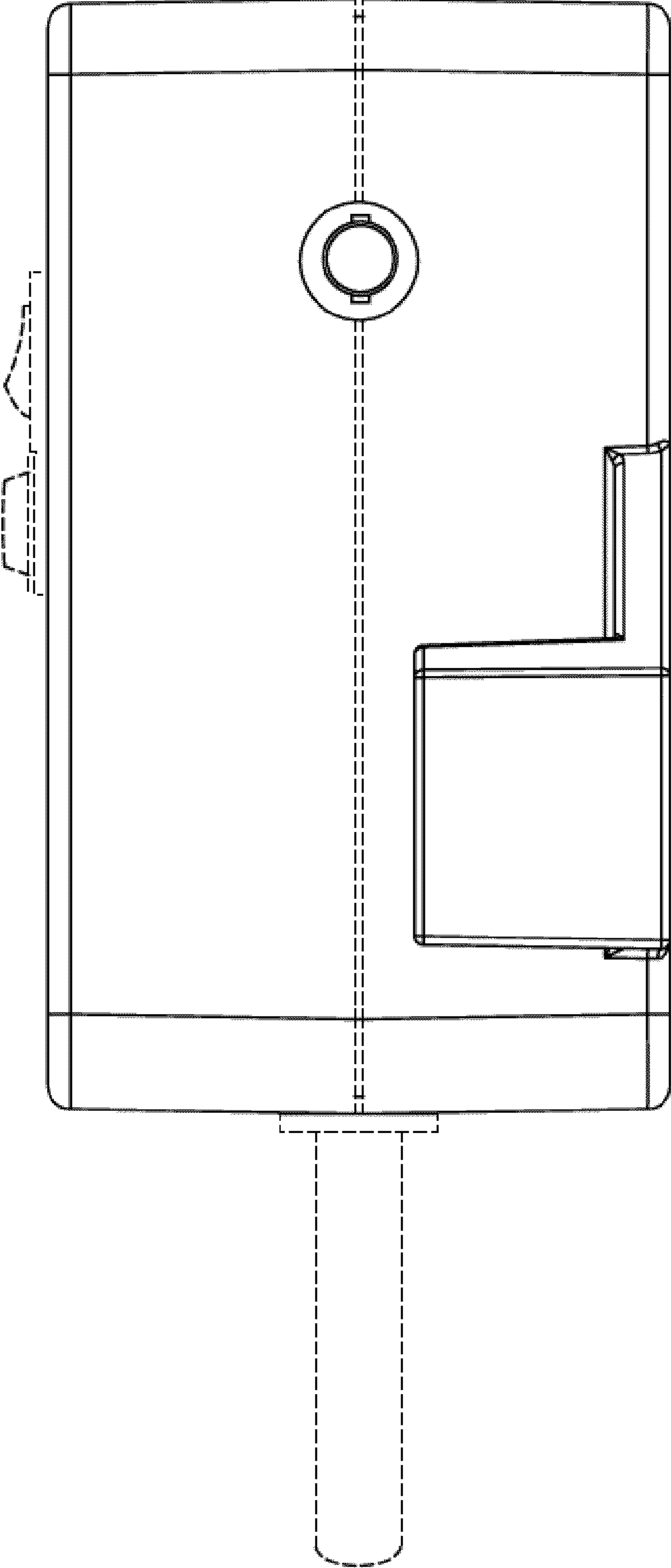


FIG. 2

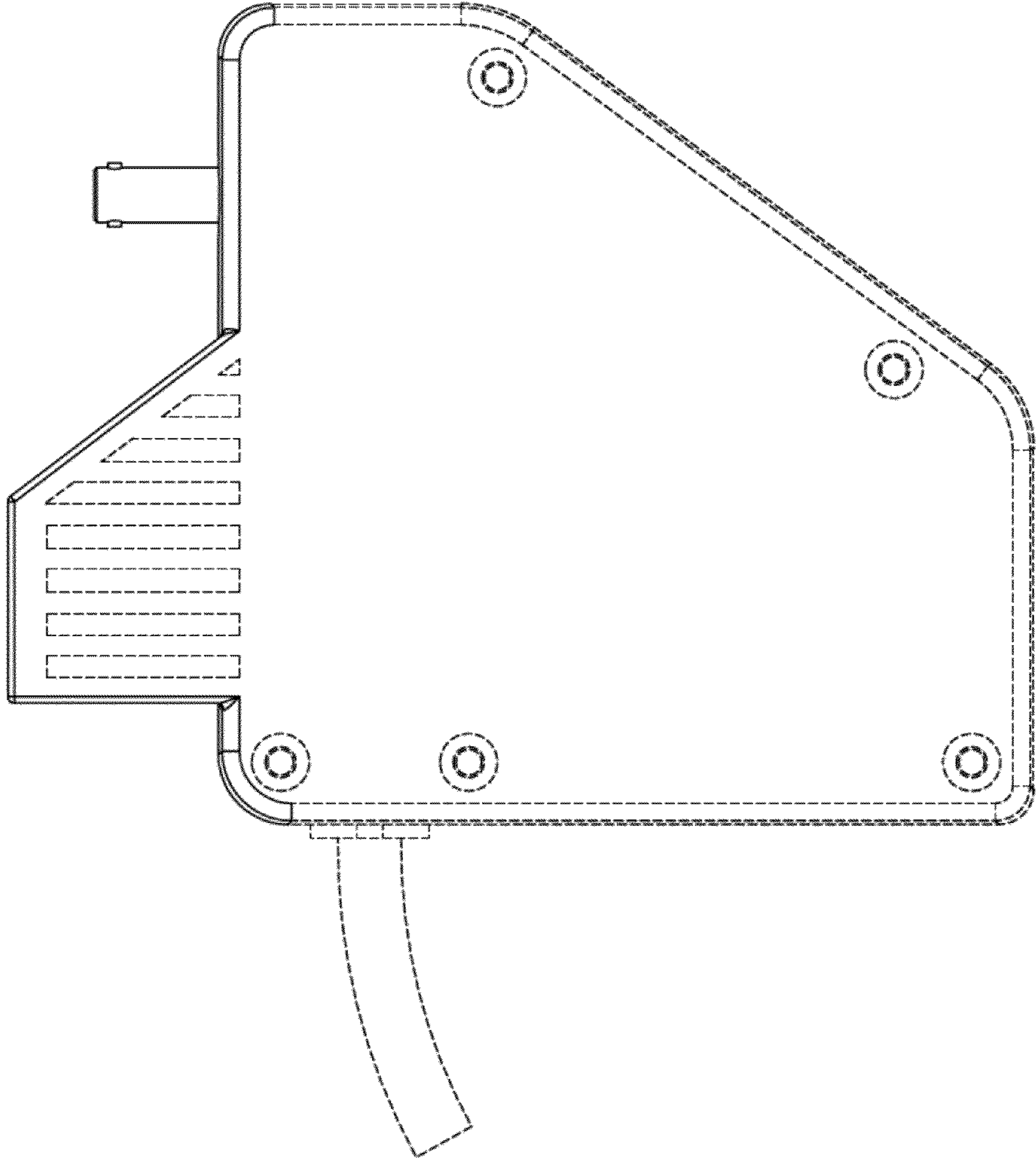


FIG. 3

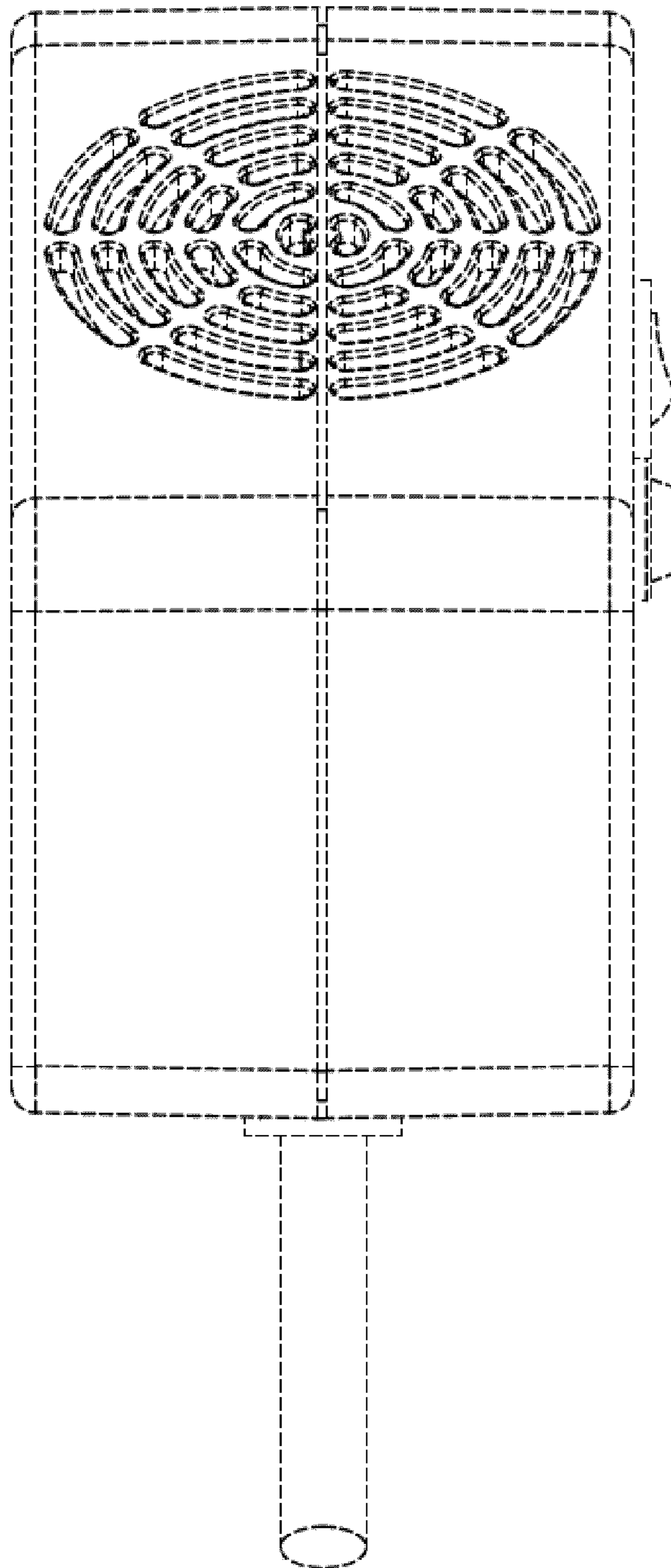


FIG. 4

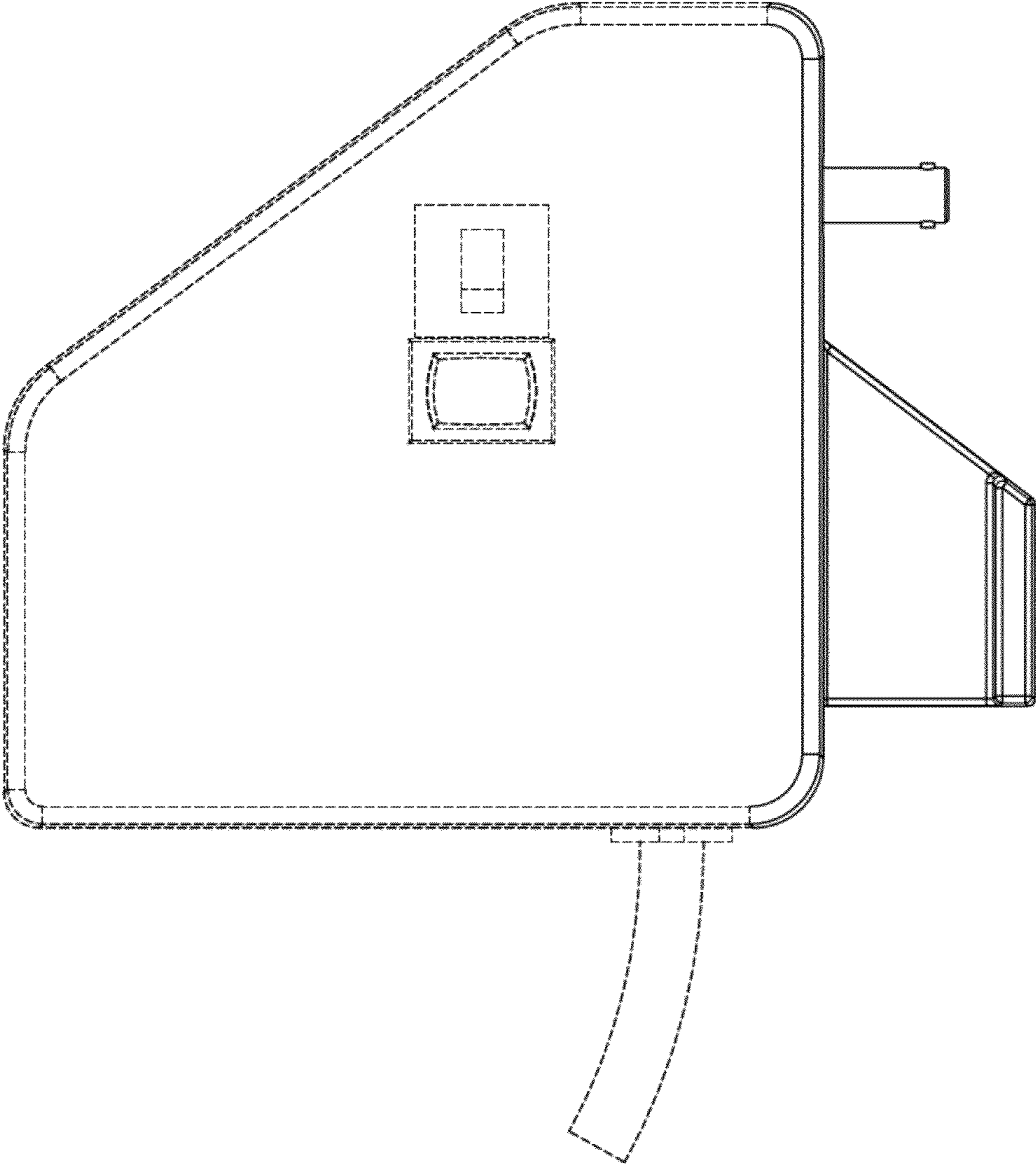


FIG. 5

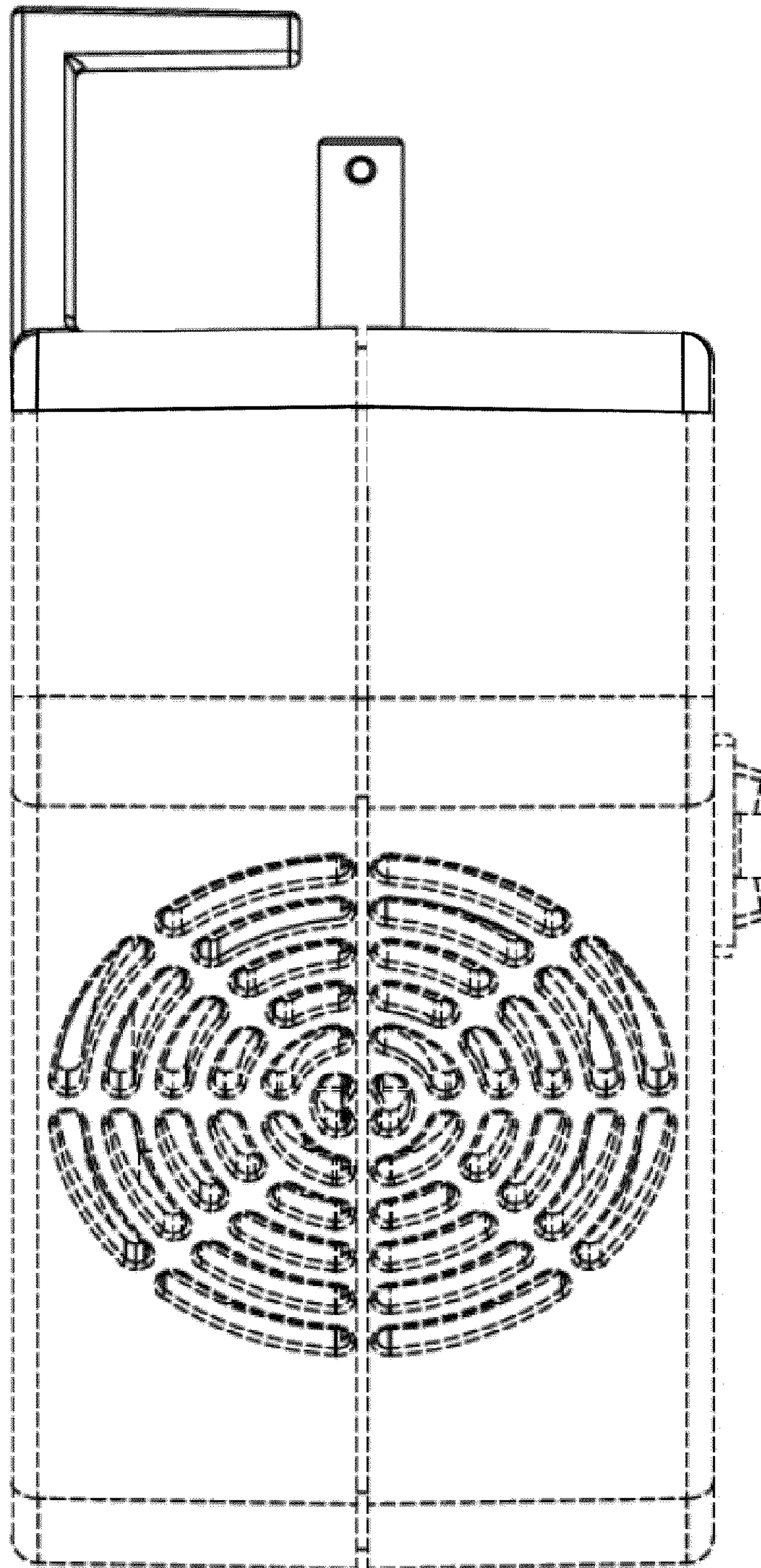


FIG. 6

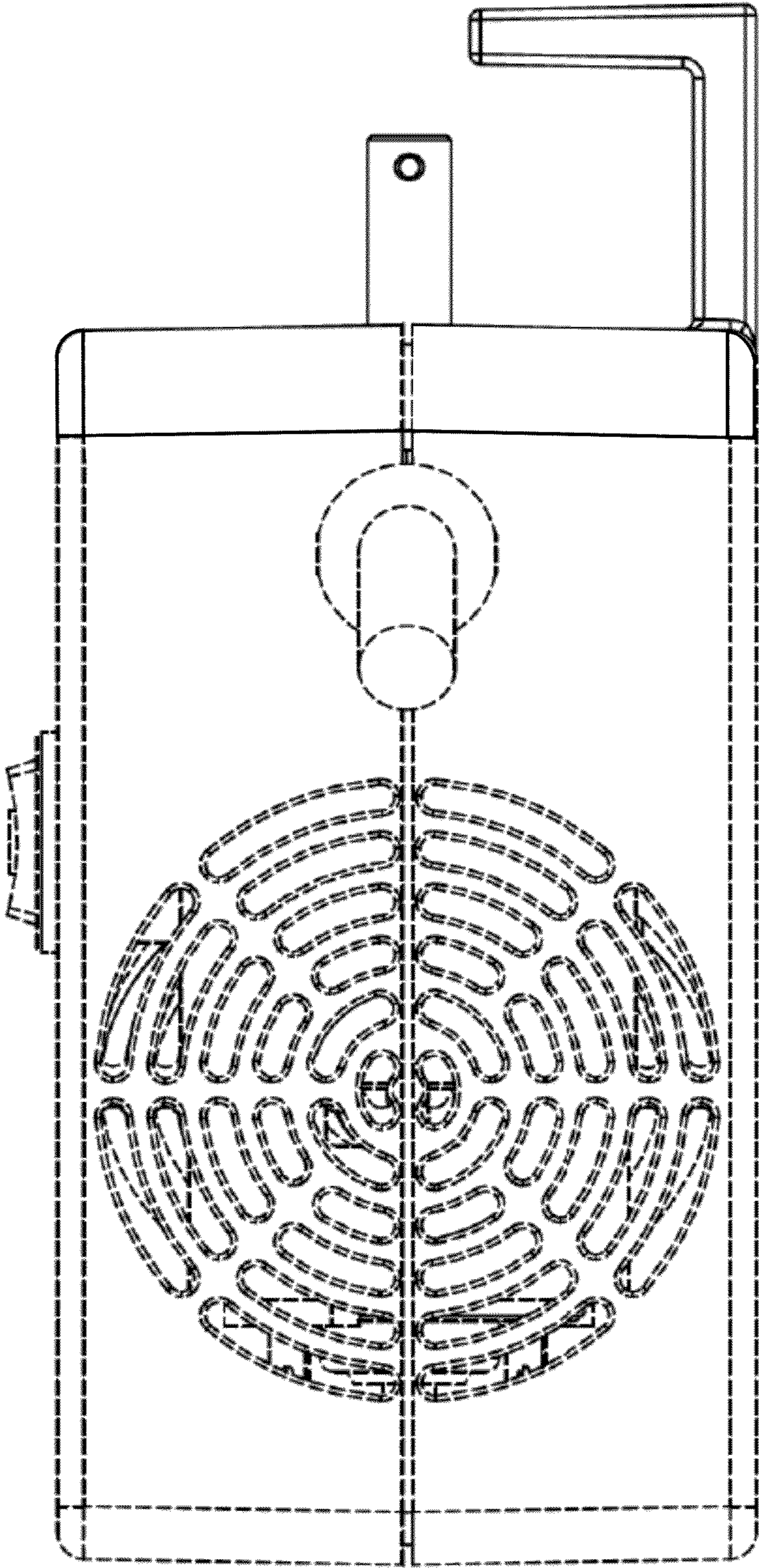


FIG. 7