



US00D687378S

(12) **United States Design Patent**
Iacovelli et al.

(10) **Patent No.:** **US D687,378 S**

(45) **Date of Patent:** **** Aug. 6, 2013**

(54) **POWER INVERTER**

(75) Inventors: **Marc Iacovelli**, Miami, FL (US); **Saied Hussaini**, Miami, FL (US)

(73) Assignee: **Computer Patent Systems, LLC**, Charlottesville, VA (US)

(**) Term: **14 Years**

(21) Appl. No.: **29/424,697**

(22) Filed: **Jun. 14, 2012**

Related U.S. Application Data

(63) Continuation-in-part of application No. 13/443,148, filed on Apr. 10, 2012, which is a continuation of application No. 12/337,291, filed on Dec. 17, 2008, now Pat. No. 8,154,872, which is a continuation of application No. 11/808,780, filed on Jun. 12, 2007, now Pat. No. 7,483,272, which is a continuation of application No. 11/591,529, filed on Nov. 2, 2006, now Pat. No. 7,298,627, which is a continuation-in-part of application No. 29/261,268, filed on Jun. 12, 2006, now Pat. No. Des. 544,439, which is a continuation-in-part of application No. 10/795,217, filed on Mar. 9, 2004, now Pat. No. 7,272,008, which is a continuation-in-part of application No. 29/193,755, filed on Nov. 14, 2003, now Pat. No. Des. 495,296.

(51) **LOC (9) Cl.** **13-02**

(52) **U.S. Cl.**
USPC **D13/110**

(58) **Field of Classification Search**
USPC D13/110, 101, 107, 108, 118, 133,
D13/137.1, 144, 199; D14/432, 433; 307/150,
307/151; 363/141, 146; 439/483, 668, 669
See application file for complete search history.

(56) **References Cited**

U.S. PATENT DOCUMENTS

3,377,610 A * 4/1968 Busch et al. 439/441
4,604,529 A * 8/1986 Grimsley et al. 307/10.1
4,872,102 A 10/1989 Getter

(Continued)

FOREIGN PATENT DOCUMENTS

JP 03-093921 U 9/1991

Primary Examiner — Derrick Holland

(74) *Attorney, Agent, or Firm* — Berenato & White, LLC

(57) **CLAIM**

The ornamental design for a power inverter, as shown and described.

DESCRIPTION

FIG. 1 is a perspective view of the power inverter according to the present invention.

FIG. 2 is a front view of the power inverter of FIG. 1.

FIG. 3 is a rear view of the power inverter of FIG. 1.

FIG. 4 is a right side view of the power inverter of FIG. 1.

FIG. 5 is a left side view of the power inverter of FIG. 1.

FIG. 6 is a top view of the power inverter of FIG. 1.

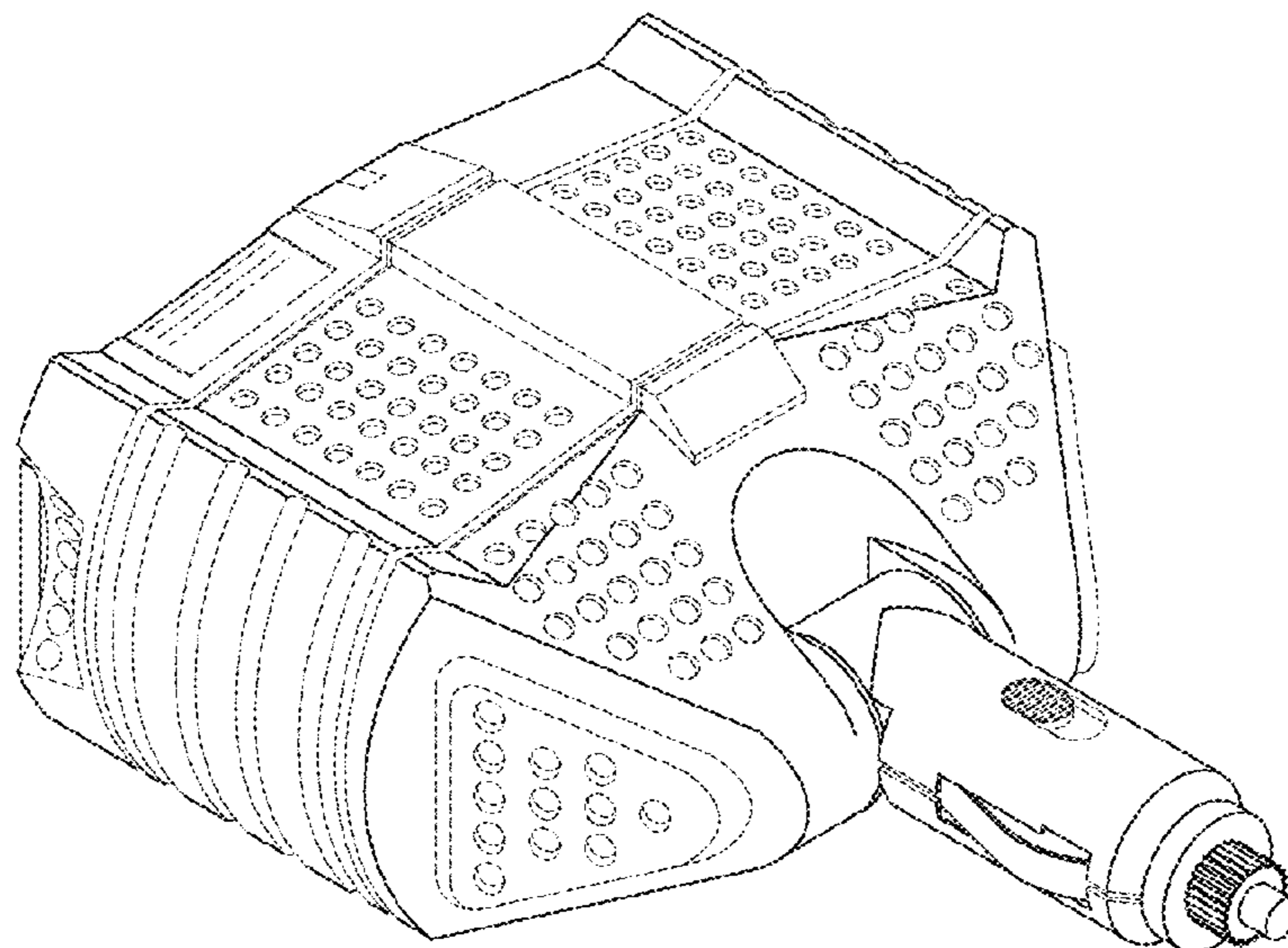
FIG. 7 is a bottom view of the power inverter of FIG. 1.

FIG. 8 is a right side view of the power inverter in an alternate configuration; and,

FIG. 9 is a left side view of the power inverter in an alternate configuration.

The broken lines shown represent unclaimed subject matter only and form no part of the claim. Where broken lines abut a claimed surface it is understood that those broken lines represent an unclaimed boundary between claimed and unclaimed surfaces. None of the broken lines form any part of the claimed design.

1 Claim, 5 Drawing Sheets



US D687,378 S

Page 2

U.S. PATENT DOCUMENTS

5,077,652	A	12/1991	Faley	D465,781	S	11/2002	Fischer	
5,170,067	A	12/1992	Baum et al.	D469,400	S	1/2003	Shor et al.	
5,170,336	A	12/1992	Getter et al.	6,577,098	B2	6/2003	Griffey et al.	
D343,395	S	1/1994	Kakizaki	D480,054	S	9/2003	Schwimmer	
5,321,596	A	6/1994	Hurst	6,621,724	B1	9/2003	Liu	
D349,682	S	8/1994	Hunziker	6,628,535	B1	9/2003	Wu	
5,355,300	A	10/1994	Zinn	D482,654	S	11/2003	Shor et al.	
5,687,066	A	11/1997	Cook	6,747,246	B2	6/2004	Crandell	
5,742,478	A	4/1998	Wu	D494,542	S	8/2004	Hriscu et al.	
5,744,934	A	4/1998	Wu	D495,296	S	8/2004	Hussaini et al.	
5,829,993	A	11/1998	Wu	6,774,603	B2	8/2004	Liao	
D409,139	S	5/1999	Cornell et al.	6,842,356	B2	1/2005	Hsu	
5,901,056	A	5/1999	Hung	7,011,538	B2	3/2006	Chang	
5,949,640	A	9/1999	Cameron et al.	7,046,535	B2	5/2006	Rodriguez et al.	
5,982,138	A	11/1999	Krieger	D544,439	S	6/2007	Hussaini et al.	
D427,146	S	6/2000	Wei	D548,694	S *	8/2007	Krieger et al.	D13/110
D427,147	S	6/2000	Wei	D551,166	S *	9/2007	Dayan	D13/110
D427,969	S	7/2000	Wei	7,298,627	B2	11/2007	Hussaini et al.	
6,111,772	A	8/2000	Lee et al.	D559,776	S *	1/2008	Kim	D13/108
D436,918	S	1/2001	Matsuda	7,338,328	B2	3/2008	Krieger et al.	
D455,712	S	4/2002	Hsiao	7,565,968	B2	7/2009	Lindley	
6,411,514	B1	6/2002	Hussaini	D627,720	S *	11/2010	DuMelle et al.	D13/110
6,433,274	B1	8/2002	Doss et al.	2002/0171391	A1	11/2002	Batts-Gowins	
6,434,032	B1	8/2002	Romano	2003/0205596	A1	11/2003	Ling	

* cited by examiner

Fig. 1

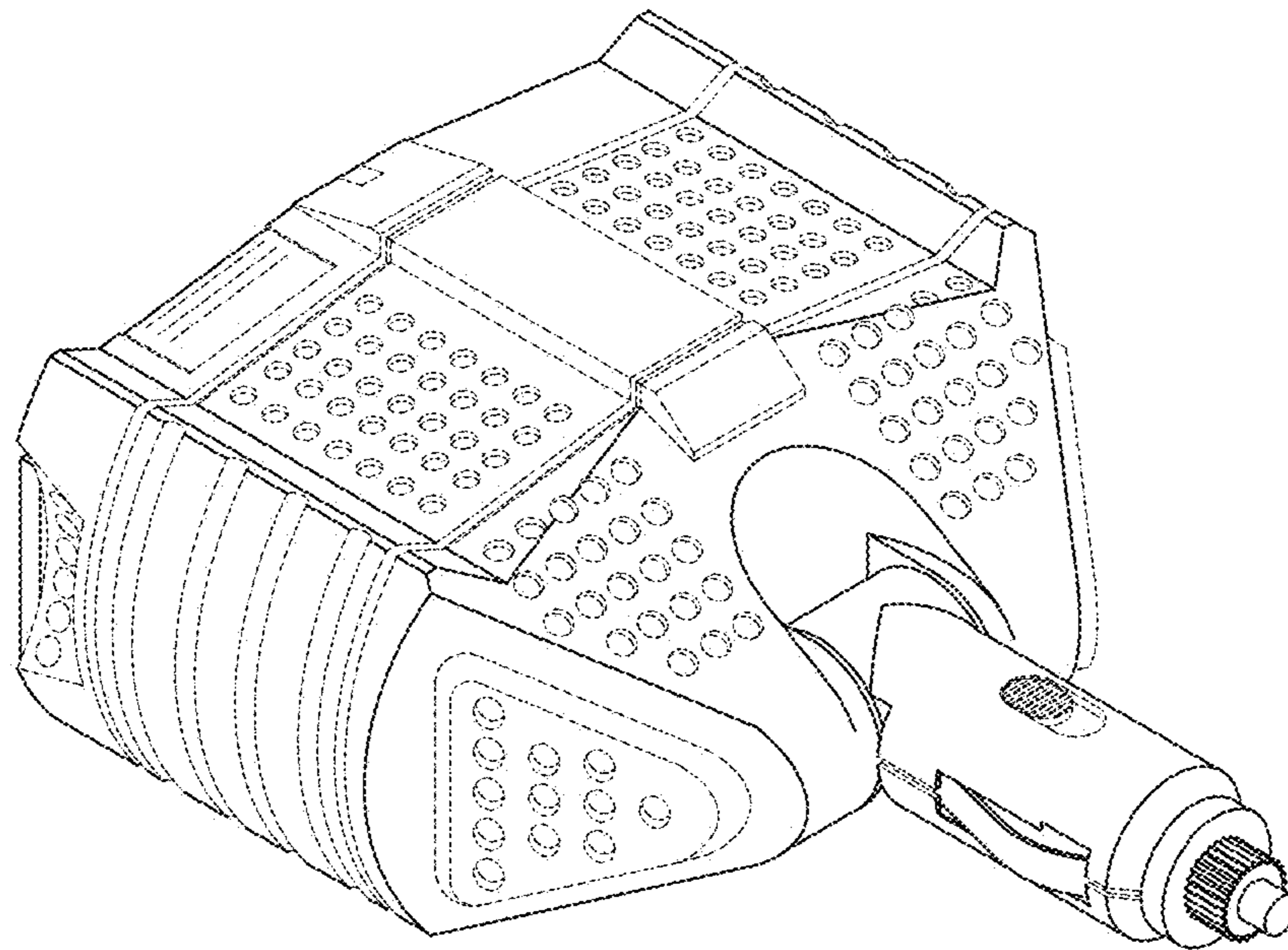


Fig. 2

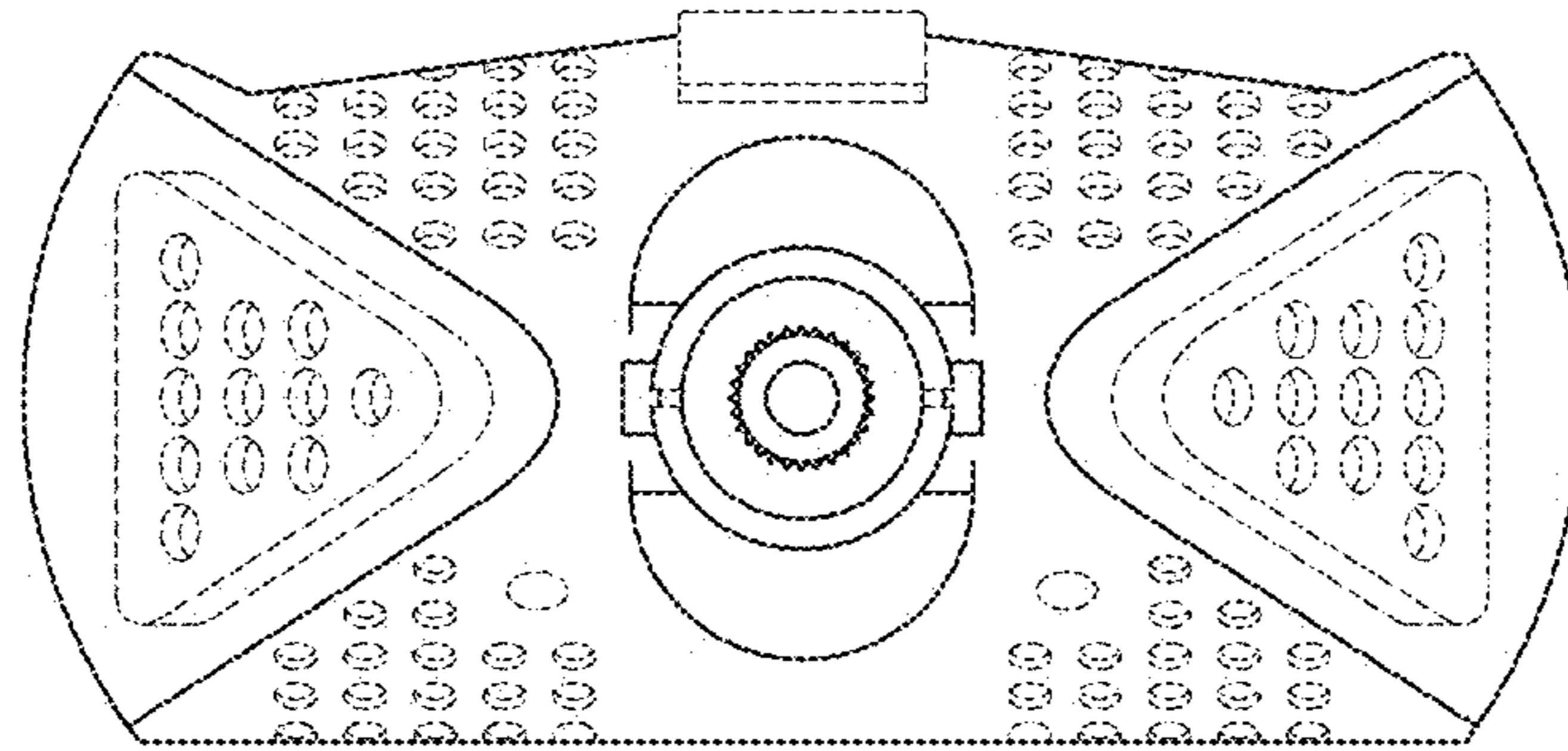


Fig. 3

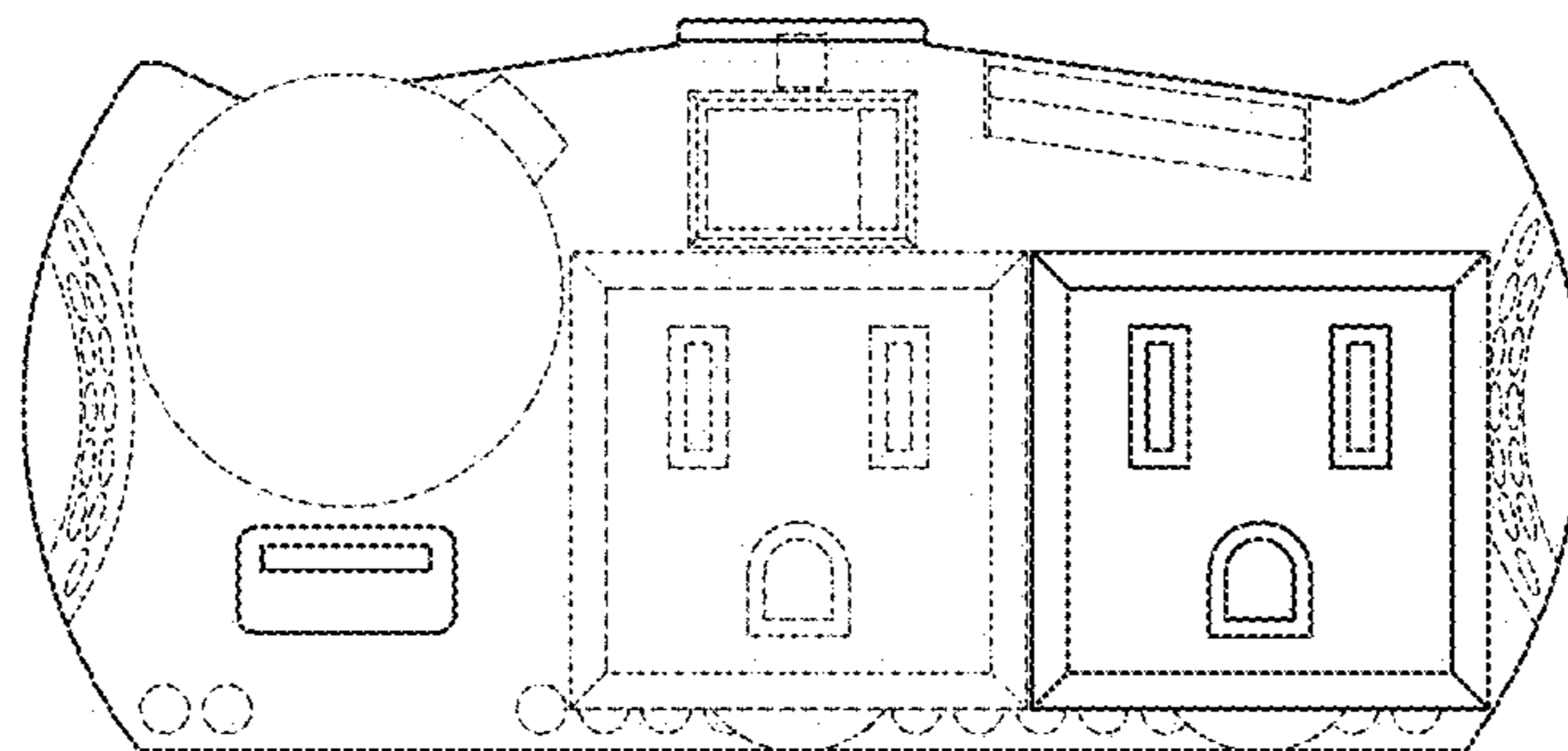


Fig. 4

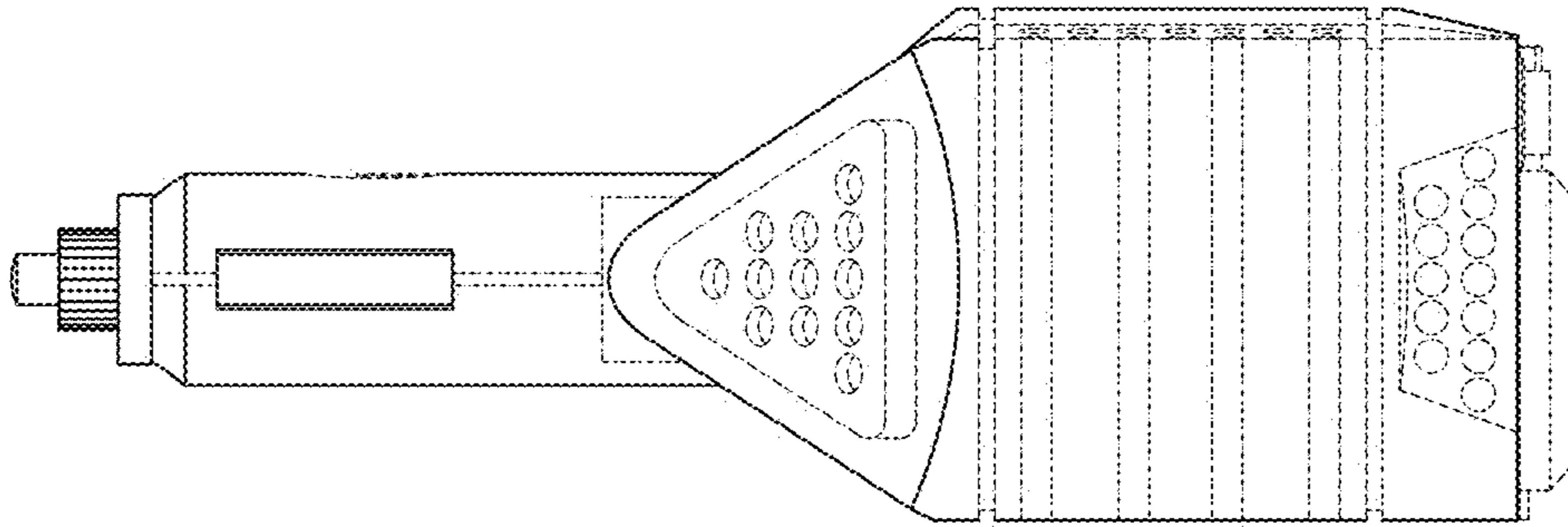


Fig. 5

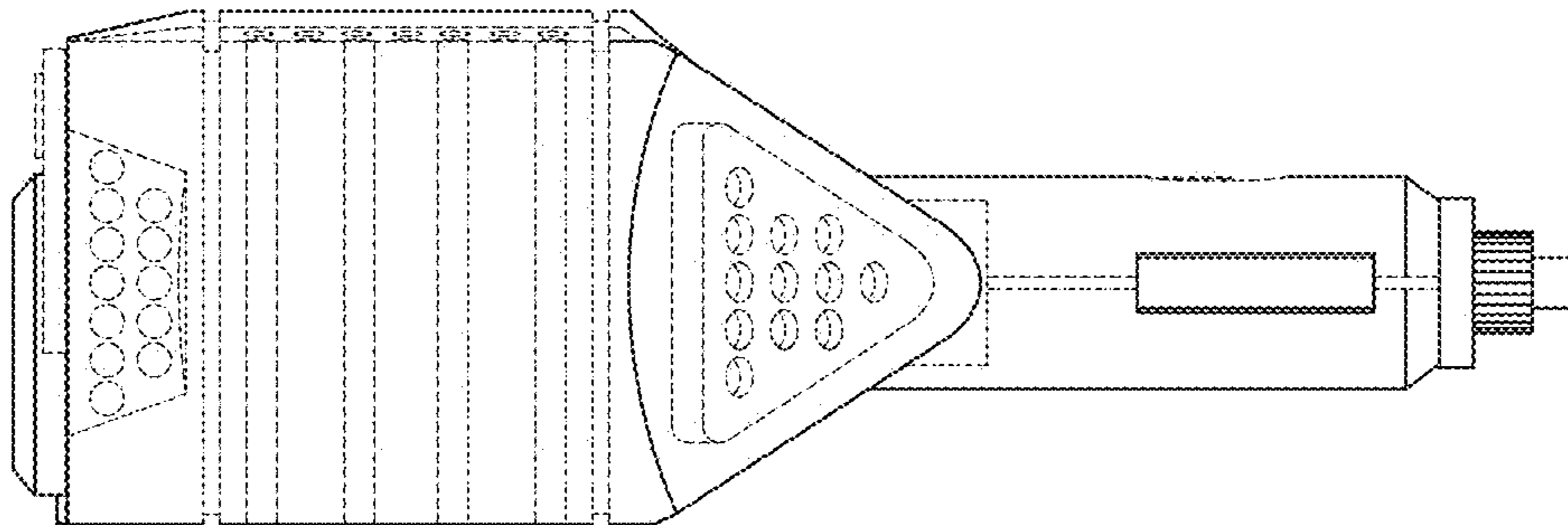


Fig. 7

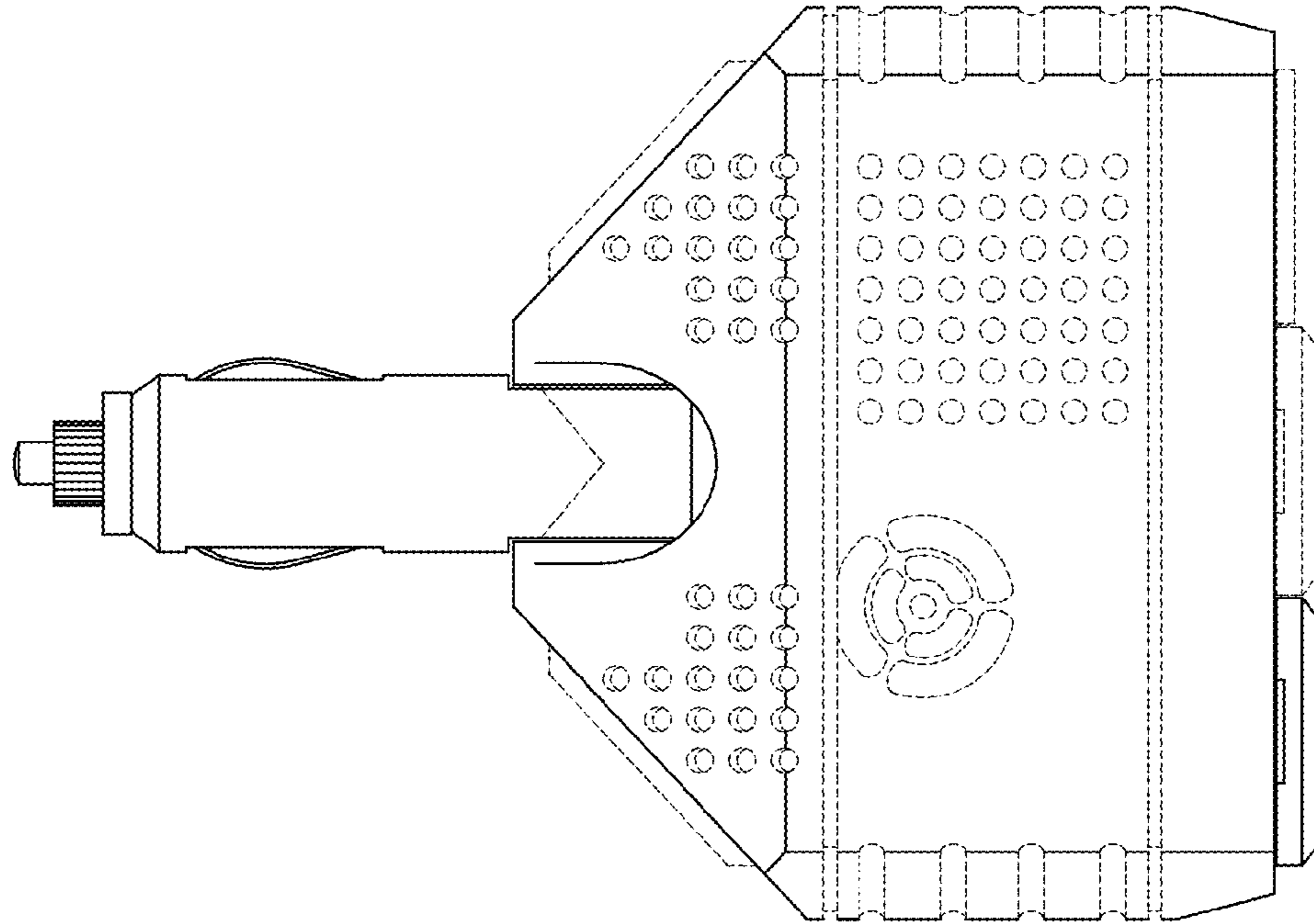


Fig. 6

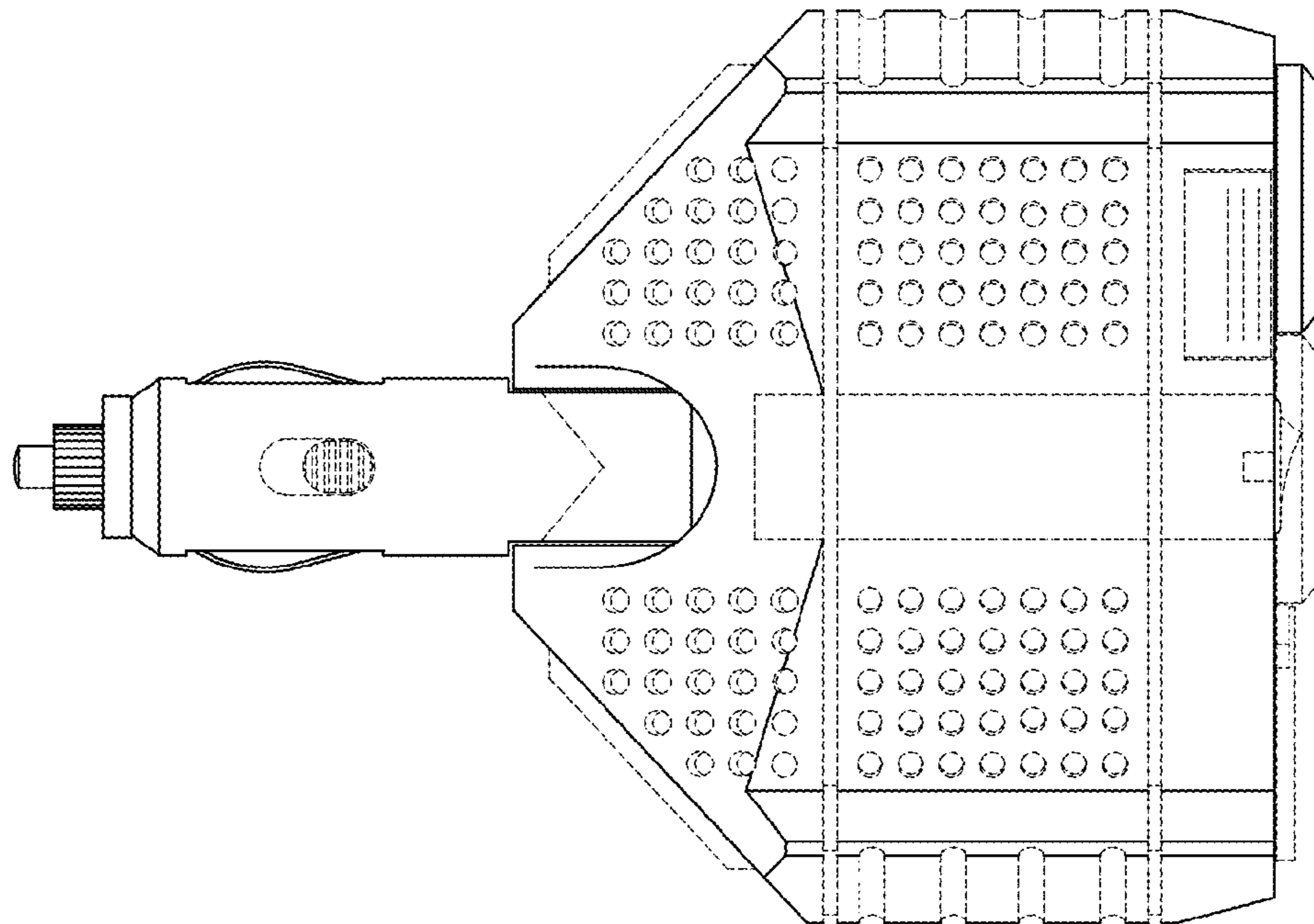


Fig. 8

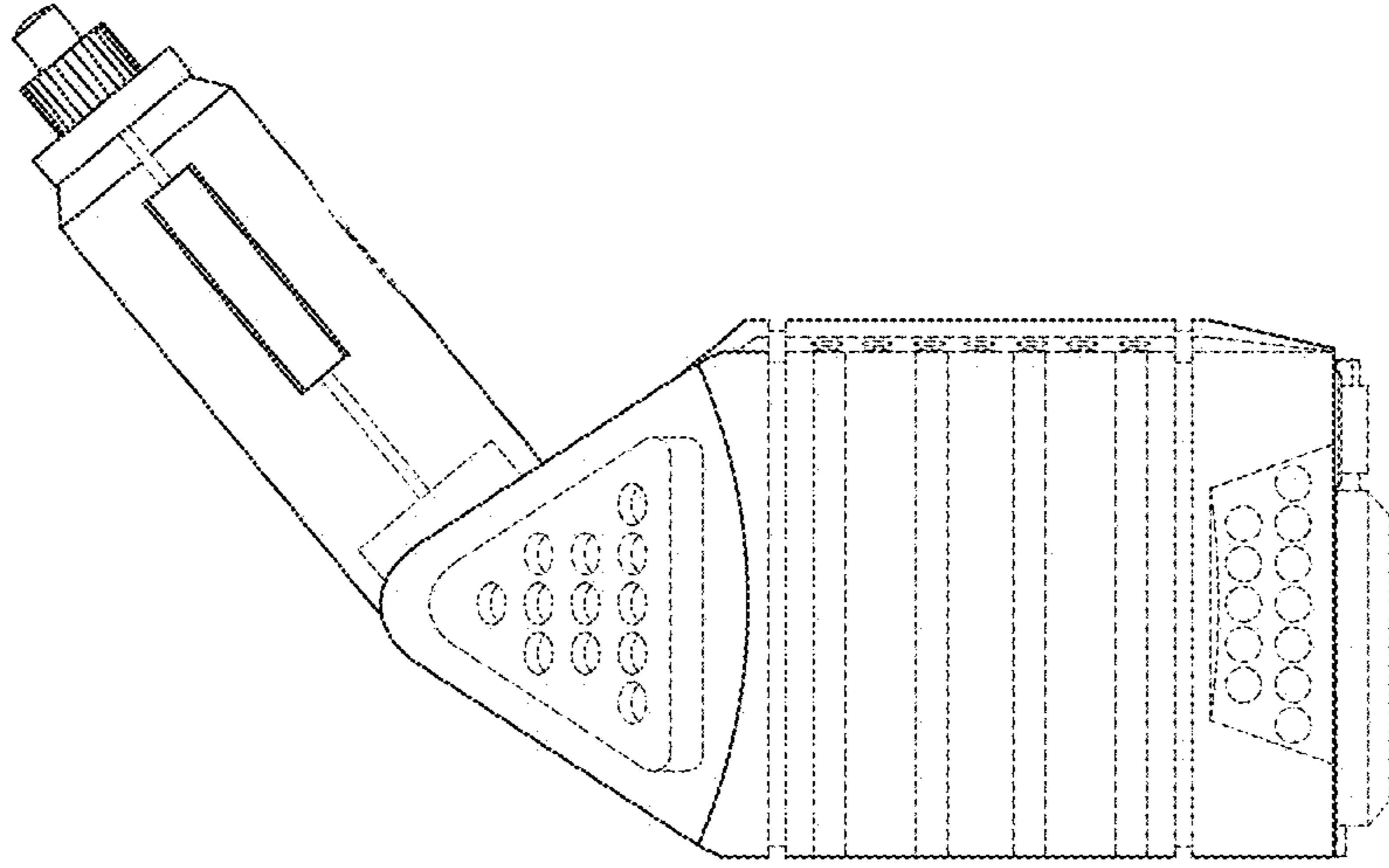


Fig. 9

