



US00D687377S

(12) **United States Design Patent**
Huang et al.

(10) **Patent No.:** **US D687,377 S**

(45) **Date of Patent:** **** Aug. 6, 2013**

(54) **CHARGER**

(71) Applicant: **Chi Mei Communication Systems, Inc.**, New Taipei (TW)
(72) Inventors: **Po-Ching Huang**, New Taipei (TW);
Tzu-Cheng Yu, Santa Clara, CA (US)
(73) Assignee: **Chi Mei Communication Systems, Inc.**, New Taipei (TW)

D540,742 S *	4/2007	Bell	D13/107
D590,770 S *	4/2009	Moss	D13/108
D623,188 S *	9/2010	Son et al.	D14/434
D642,121 S *	7/2011	Lee et al.	D13/108
D648,707 S *	11/2011	Akana et al.	D14/217
D649,137 S *	11/2011	DeVesto	D14/217
8,054,042 B2 *	11/2011	Griffin et al.	320/115
D660,794 S *	5/2012	Fahrendorff et al.	D13/108
D662,471 S *	6/2012	Fahrendorff et al.	D13/108
D662,491 S *	6/2012	Andre et al.	D14/217
D662,492 S *	6/2012	Akana et al.	D14/217

* cited by examiner

(**) Term: **14 Years**

(21) Appl. No.: **29/440,666**

Primary Examiner — Rosemary K Tarcza

(74) Attorney, Agent, or Firm — Altis Law Group, Inc.

(22) Filed: **Dec. 25, 2012**

(57) **CLAIM**

The ornamental design for a charger, as shown and described.

(30) **Foreign Application Priority Data**

Nov. 8, 2012 (CN) 2012 3 0541230

DESCRIPTION

(51) **LOC (9) Cl.** **13-02**

FIG. 1 is a perspective view of a charger showing our new design;

(52) **U.S. Cl.**

USPC **D13/108**

FIG. 2 is a front elevational view thereof;

(58) **Field of Classification Search**

USPC D13/107–110, 118–119, 184, 199;

FIG. 3 is a rear elevational view thereof;

D14/217, 251, 253, 432, 434; 320/107–115

FIG. 4 is a left side elevational view thereof;

See application file for complete search history.

FIG. 5 is a right side elevational view thereof;

(56) **References Cited**

FIG. 6 is a top plan view thereof; and,

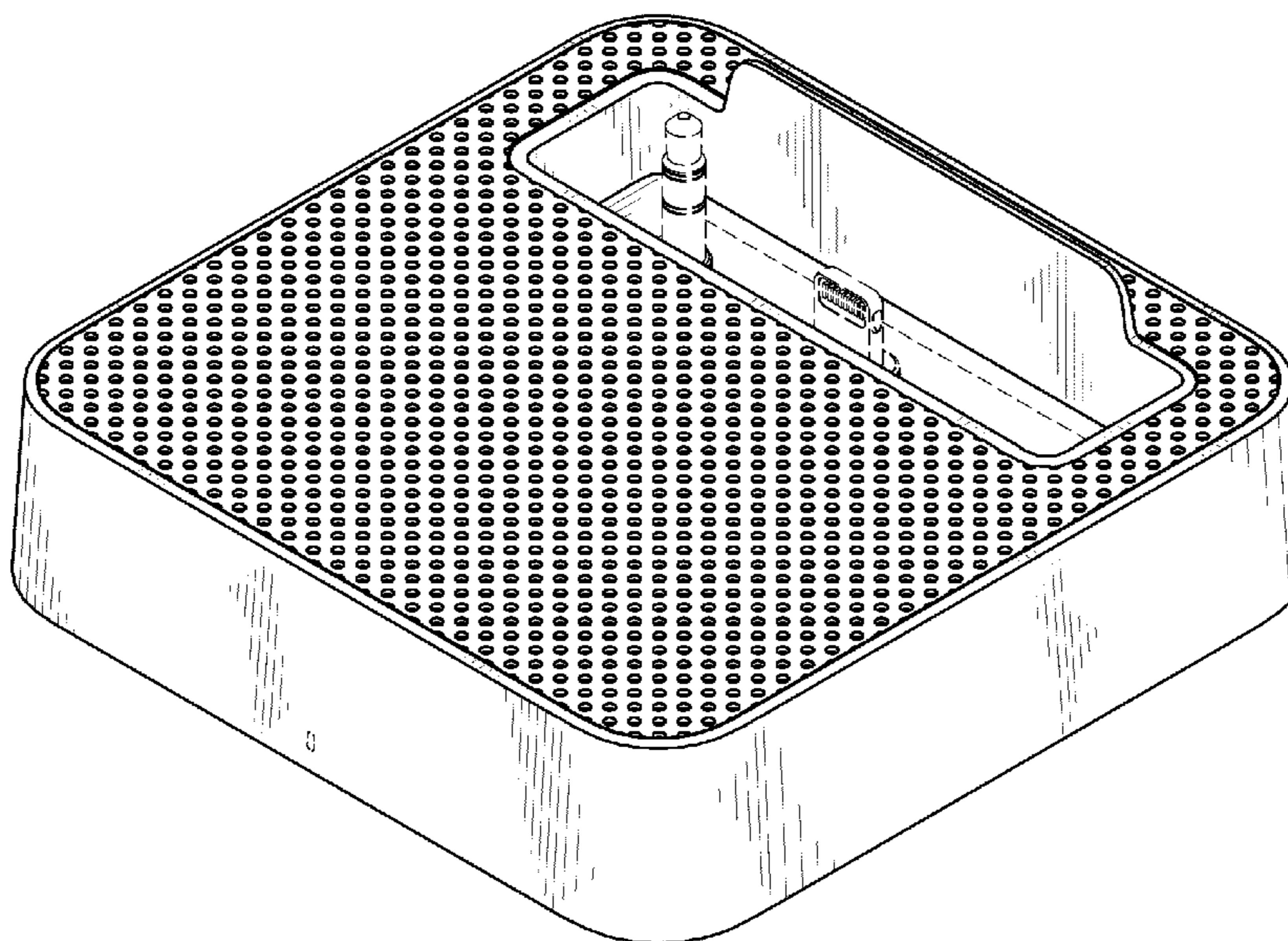
FIG. 7 is a bottom plan view thereof.

The broken lines of all the figures are for the purpose of illustrating environment and forms no part of the claimed design.

U.S. PATENT DOCUMENTS

D454,110 S *	3/2002	Andre et al.	D13/110
D495,336 S *	8/2004	Andre et al.	D14/434

1 Claim, 7 Drawing Sheets



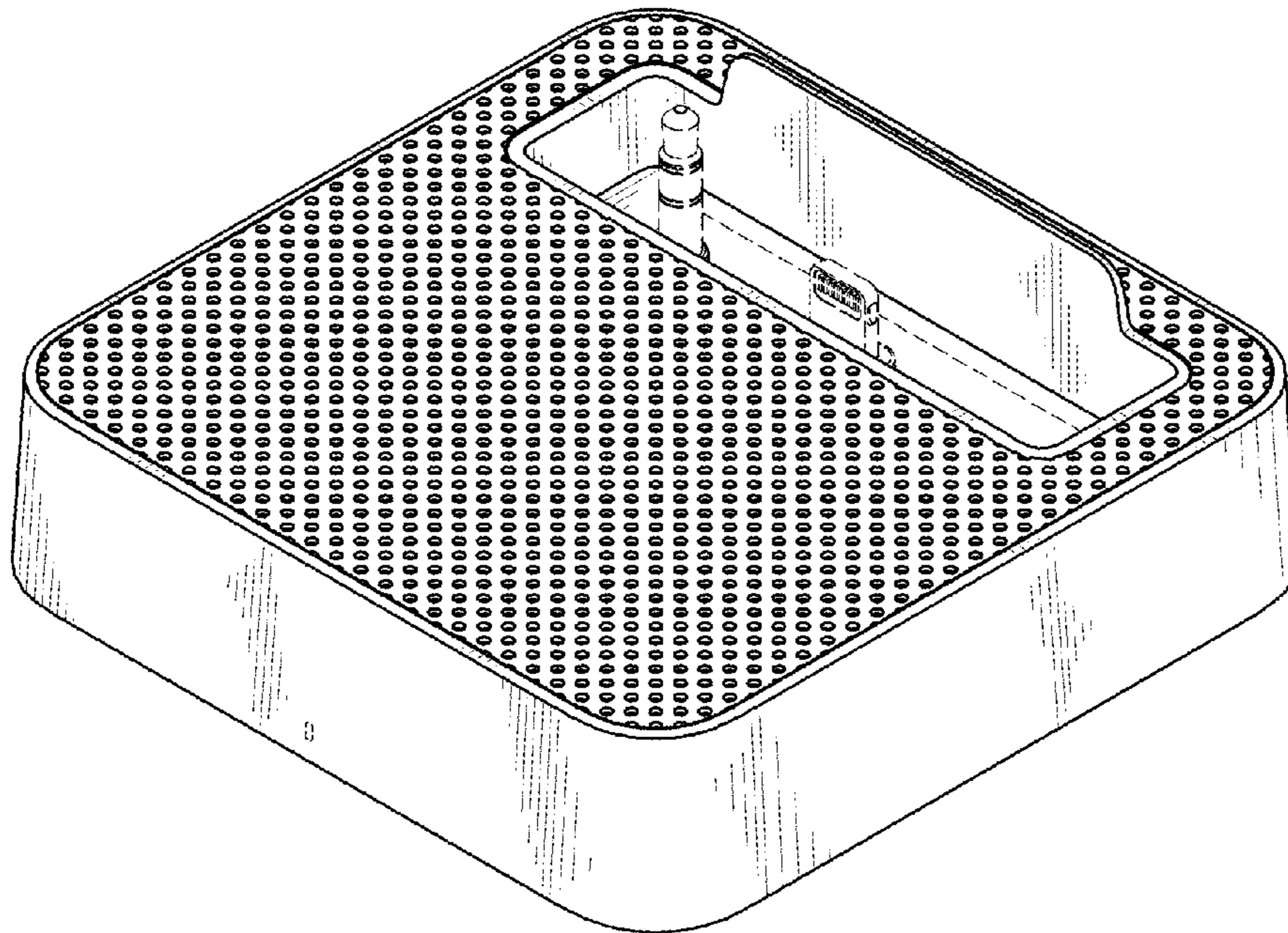


FIG. 1

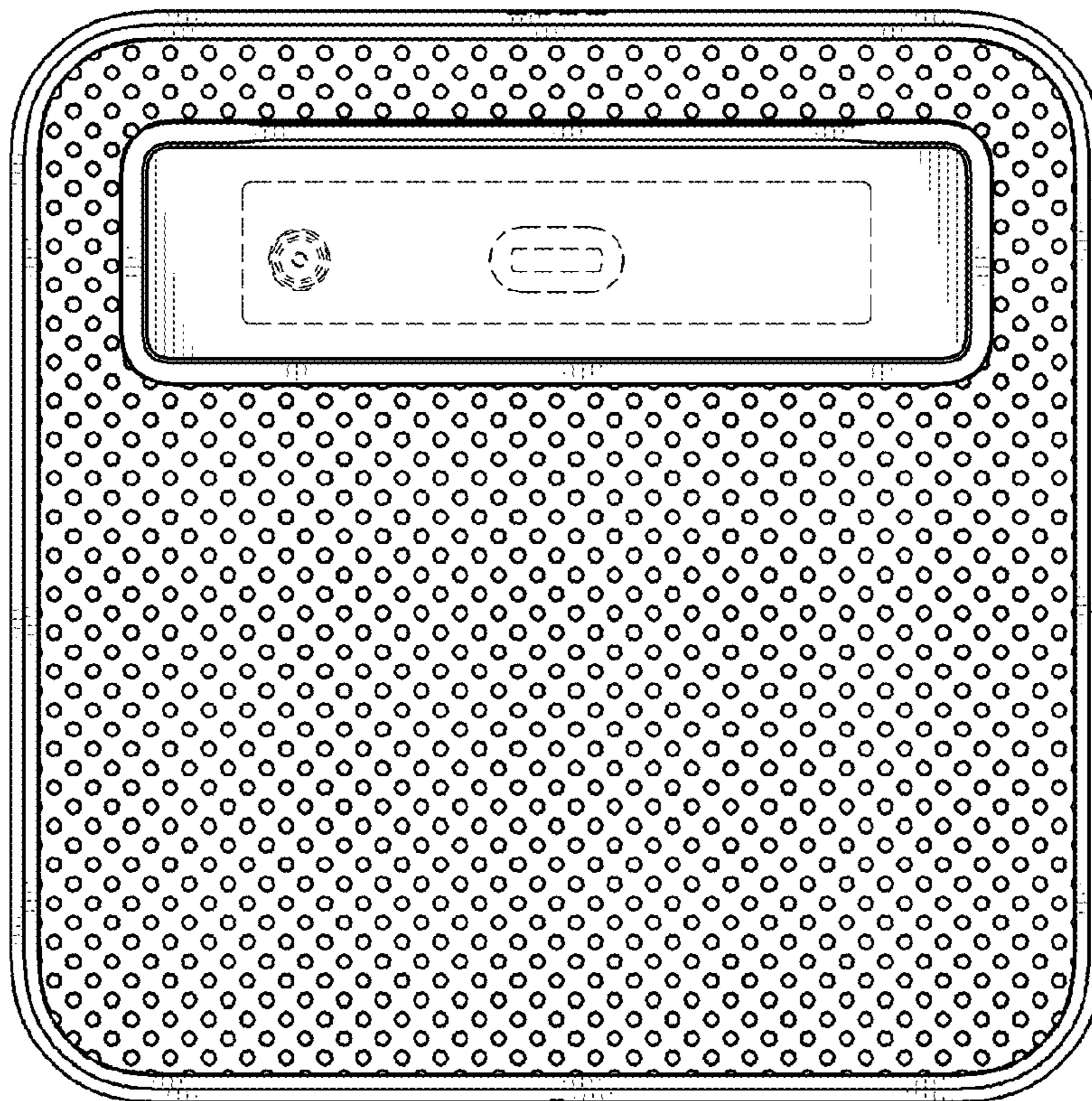


FIG. 2

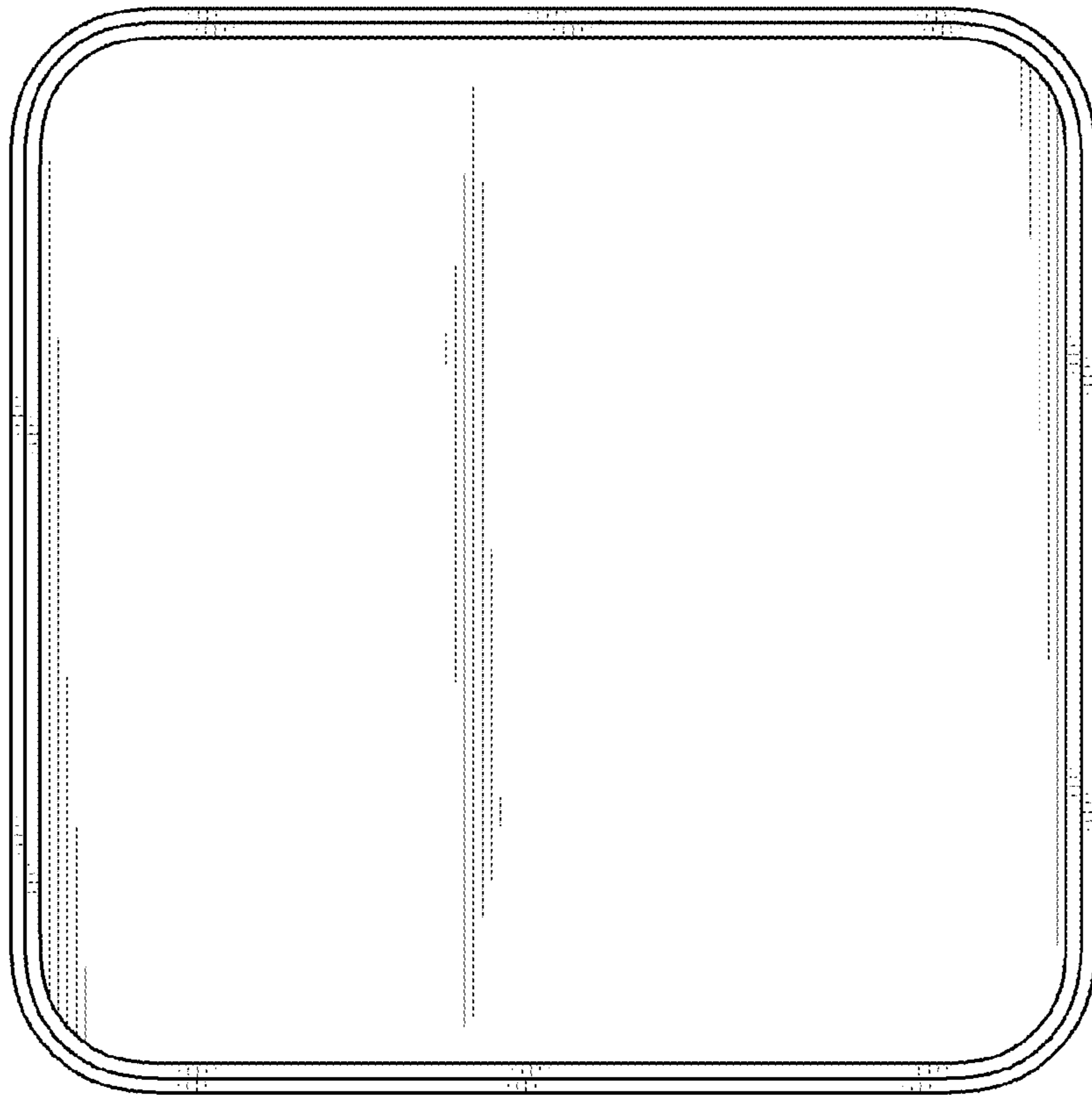


FIG. 3

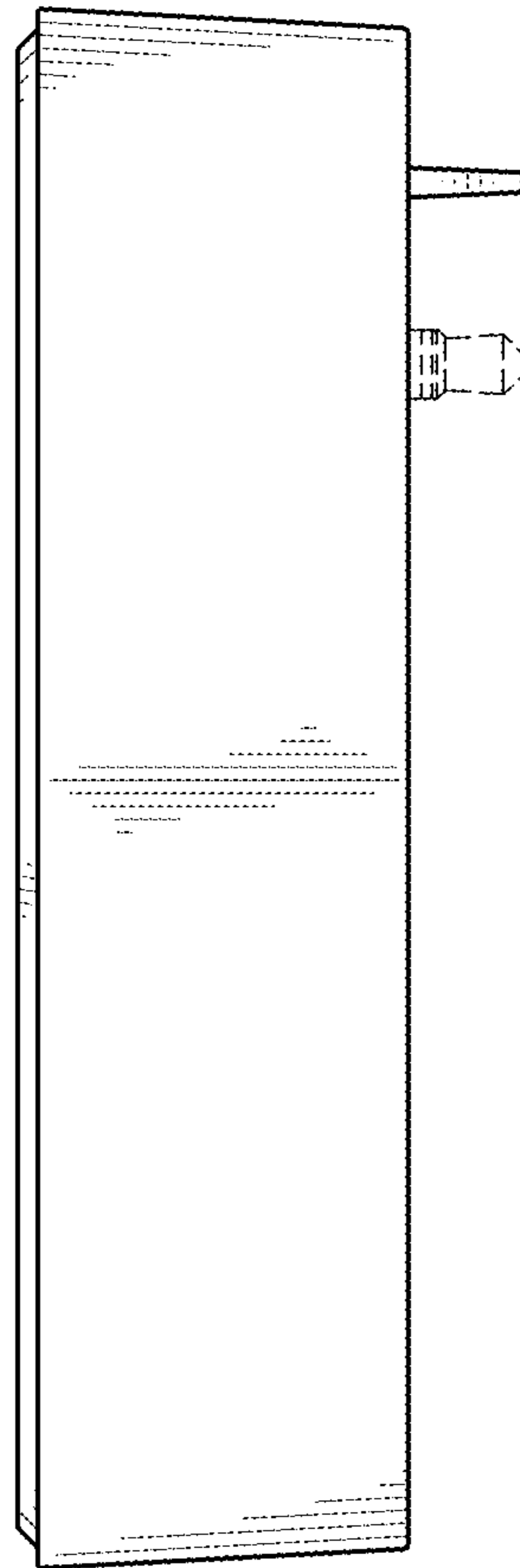


FIG. 4

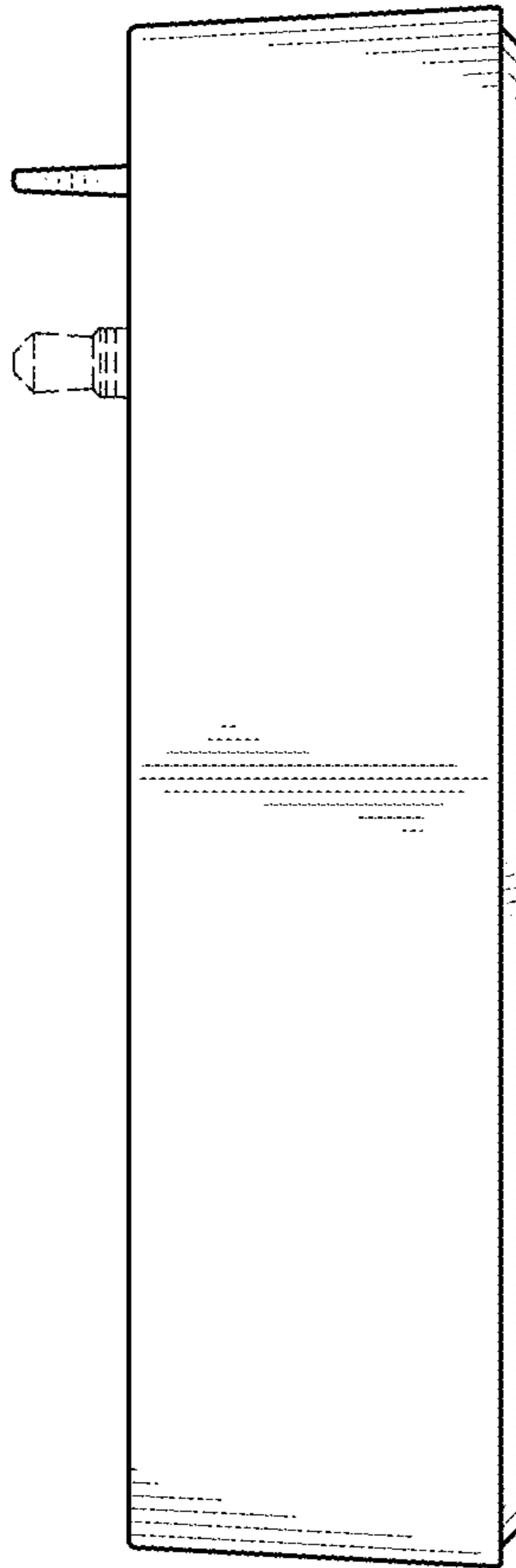


FIG. 5

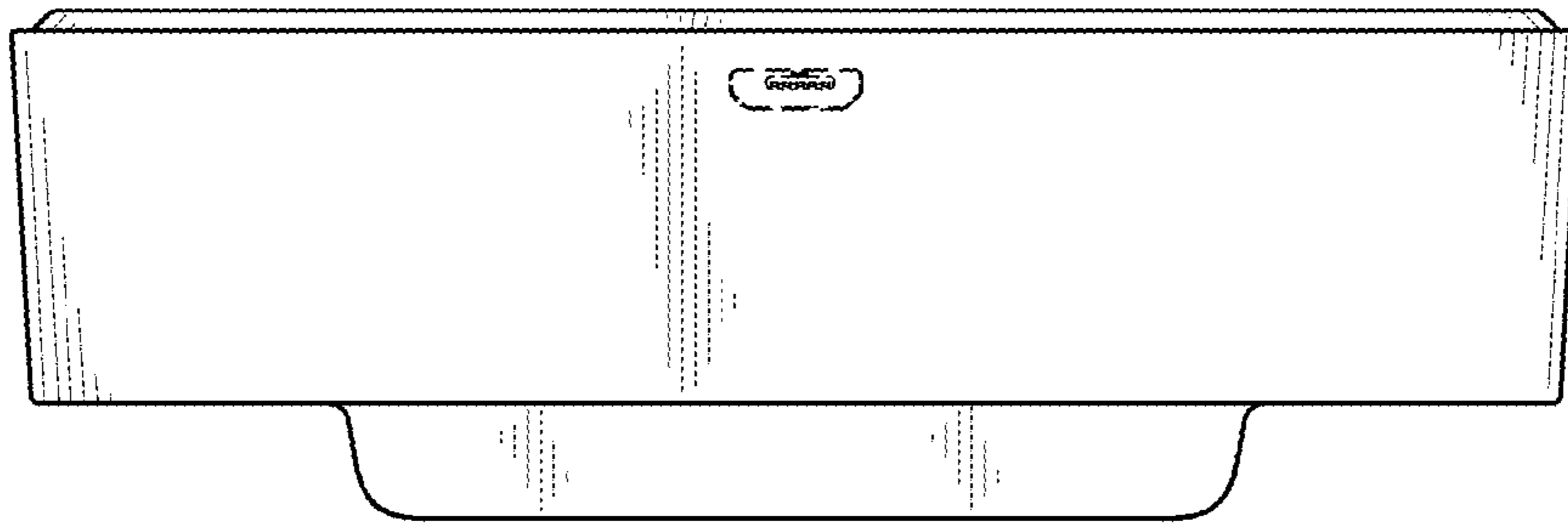


FIG. 6

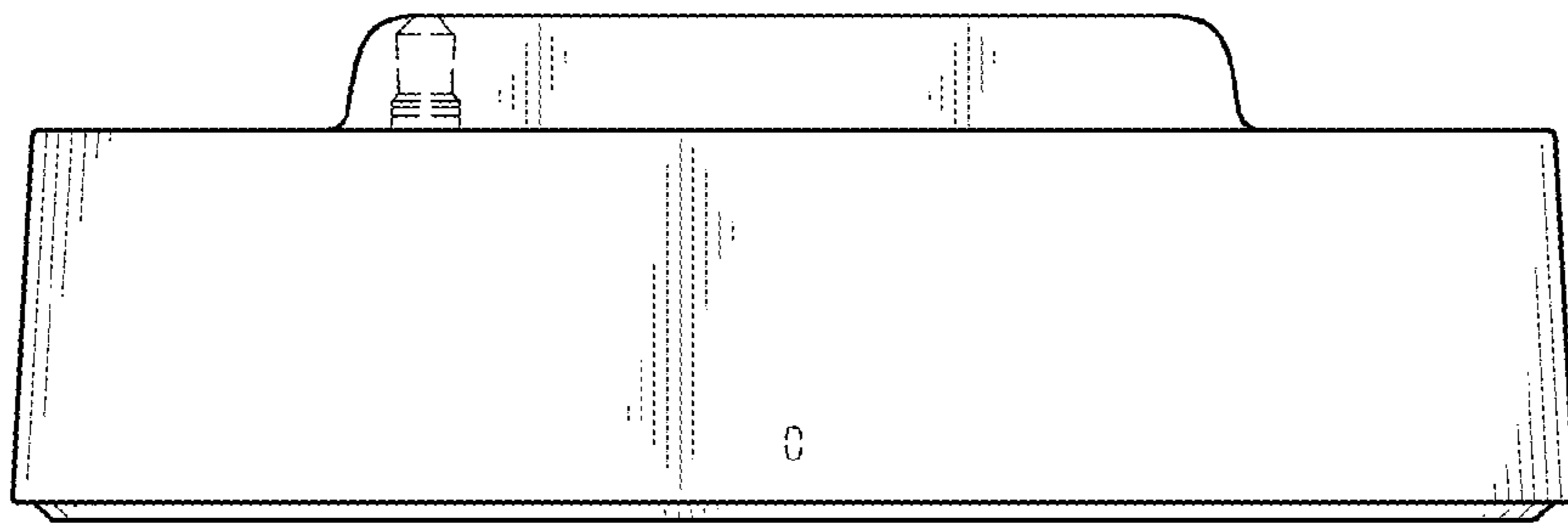


FIG. 7