



US00D687376S

(12) **United States Design Patent**  
**Farris-Gilbert et al.**

(10) **Patent No.:** **US D687,376 S**

(45) **Date of Patent:** **\*\* Aug. 6, 2013**

(54) **PORTABLE CHARGING STATION**

(75) Inventors: **Cezanne-Simon Farris-Gilbert**, Long Beach, CA (US); **Alan Chun-Ye Yeung**, Santa Ana, CA (US)

(73) Assignee: **Aviiq IP Inc**, Hong Kong (CN)

(\*\*) Term: **14 Years**

(21) Appl. No.: **29/426,131**

(22) Filed: **Jun. 29, 2012**

(51) **LOC (9) Cl.** ..... **13-02**

(52) **U.S. Cl.**  
USPC ..... **D13/108; D3/301**

(58) **Field of Classification Search**  
USPC D13/107-110, 118-119, 184, 199; D14/217, D14/251, 253, 432, 434; 320/107-115; D3/273, D3/301; 206/701-706, 722, 725, 320; 190/903  
See application file for complete search history.

(56) **References Cited**

**U.S. PATENT DOCUMENTS**

D247,069 S *	1/1978	Siris .....	D3/319
D330,456 S *	10/1992	Lehman .....	D6/631
D352,604 S *	11/1994	Johnson .....	D3/303
D382,166 S *	8/1997	Alves et al. ....	D6/634
D389,001 S *	1/1998	Alves .....	D6/634
D433,444 S *	11/2000	Eskandry .....	D19/27
D486,030 S *	2/2004	Bergh .....	D6/632
D489,212 S *	5/2004	Bergh .....	D6/632
D497,051 S *	10/2004	Nieves .....	D3/301
D501,113 S *	1/2005	Bergh .....	D6/631
D560,361 S *	1/2008	Huang .....	D3/301
D603,166 S *	11/2009	Becker .....	D3/301

D616,365 S *	5/2010	Wang et al. ....	D13/119
D632,079 S *	2/2011	Spencer et al. ....	D3/301
D669,270 S *	10/2012	Phillips et al. ....	D3/301

\* cited by examiner

*Primary Examiner* — Rosemary K Tarcza

(74) *Attorney, Agent, or Firm* — Seed IP Law Group PLLC

(57) **CLAIM**

The ornamental design for a portable charging station, as shown and described.

**DESCRIPTION**

FIG. 1 is an isometric view of a portable charging station, showing our new design in an open configuration.

FIG. 2 is an isometric view of the portable charging station shown in a closed configuration.

FIG. 3 is a top plan view of the portable charging station shown in the open configuration.

FIG. 4 is a left side elevational view of the portable charging station shown in the open configuration.

FIG. 5 is a front elevational view of the portable charging station shown in the open configuration.

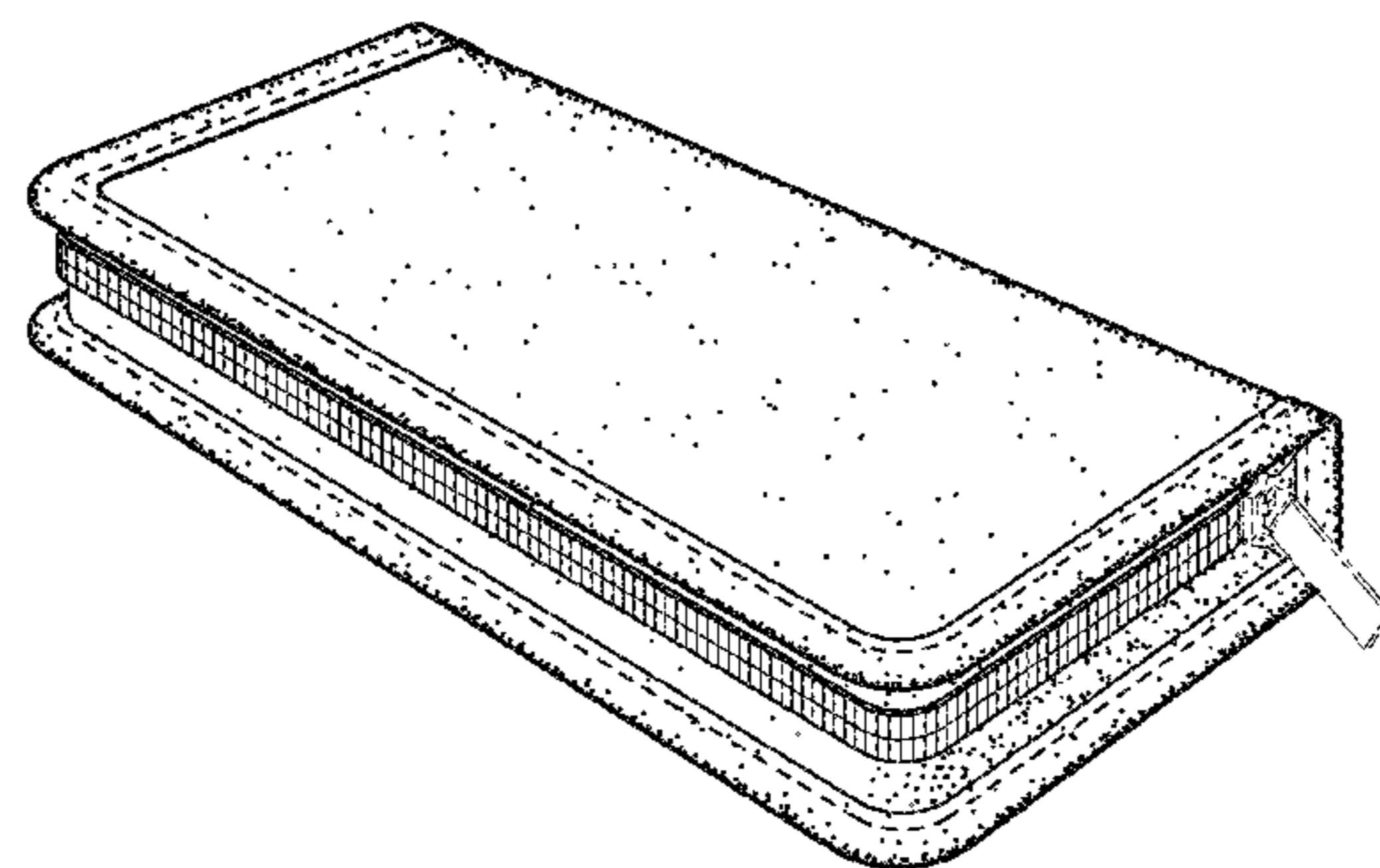
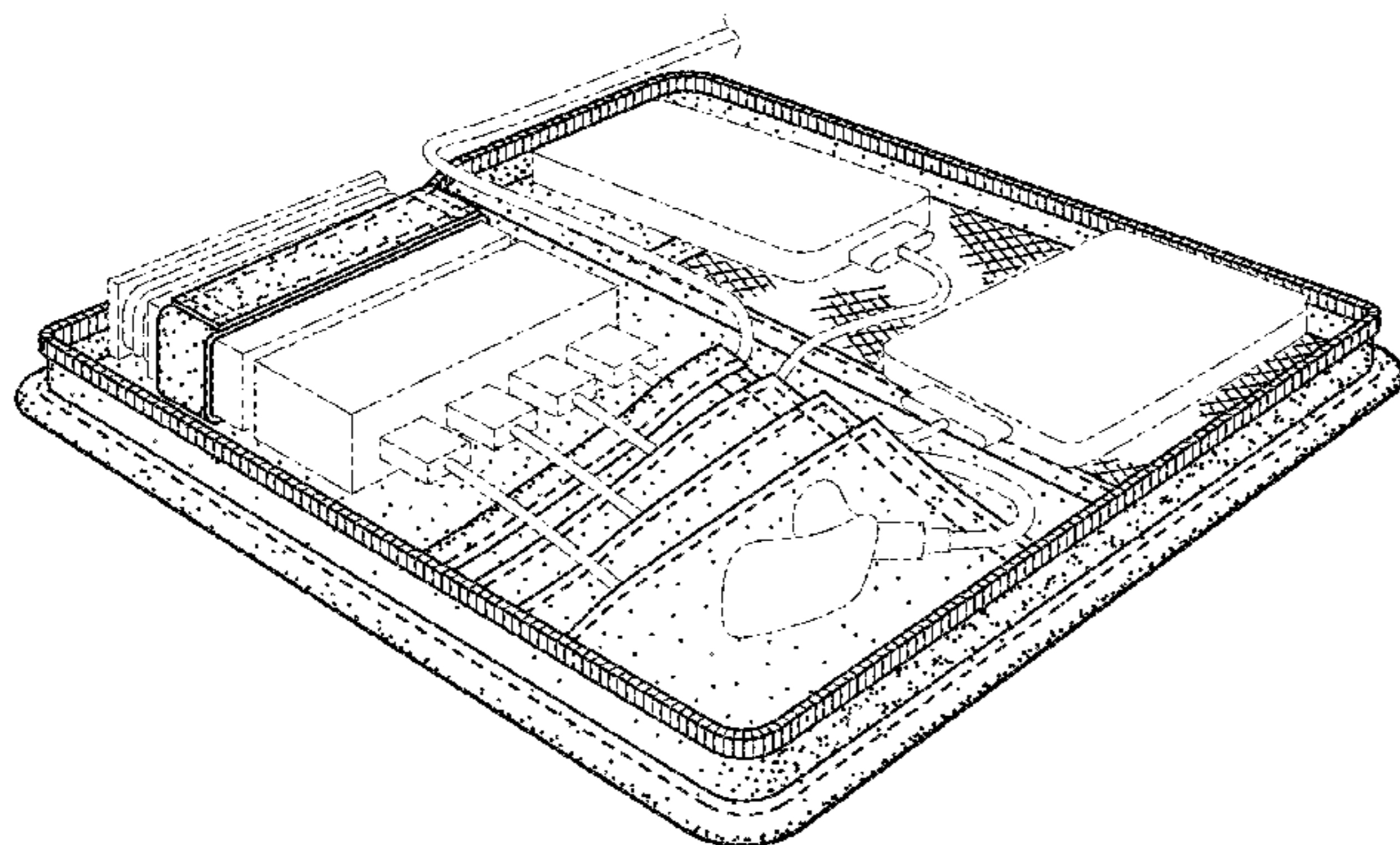
FIG. 6 is a top plan view of the portable charging station shown in the closed configuration.

FIG. 7 is a left side elevational view of the portable charging station shown in the closed configuration; and,

FIG. 8 is a front elevational view of the portable charging station shown in the closed configuration.

Stippling shown in the drawings are intended to represent the approximate three-dimensional contour of the design, and are not intended to indicate surface decoration. The broken lines in the figures are for illustrative purposes only and form no part of the claimed design.

**1 Claim, 3 Drawing Sheets**



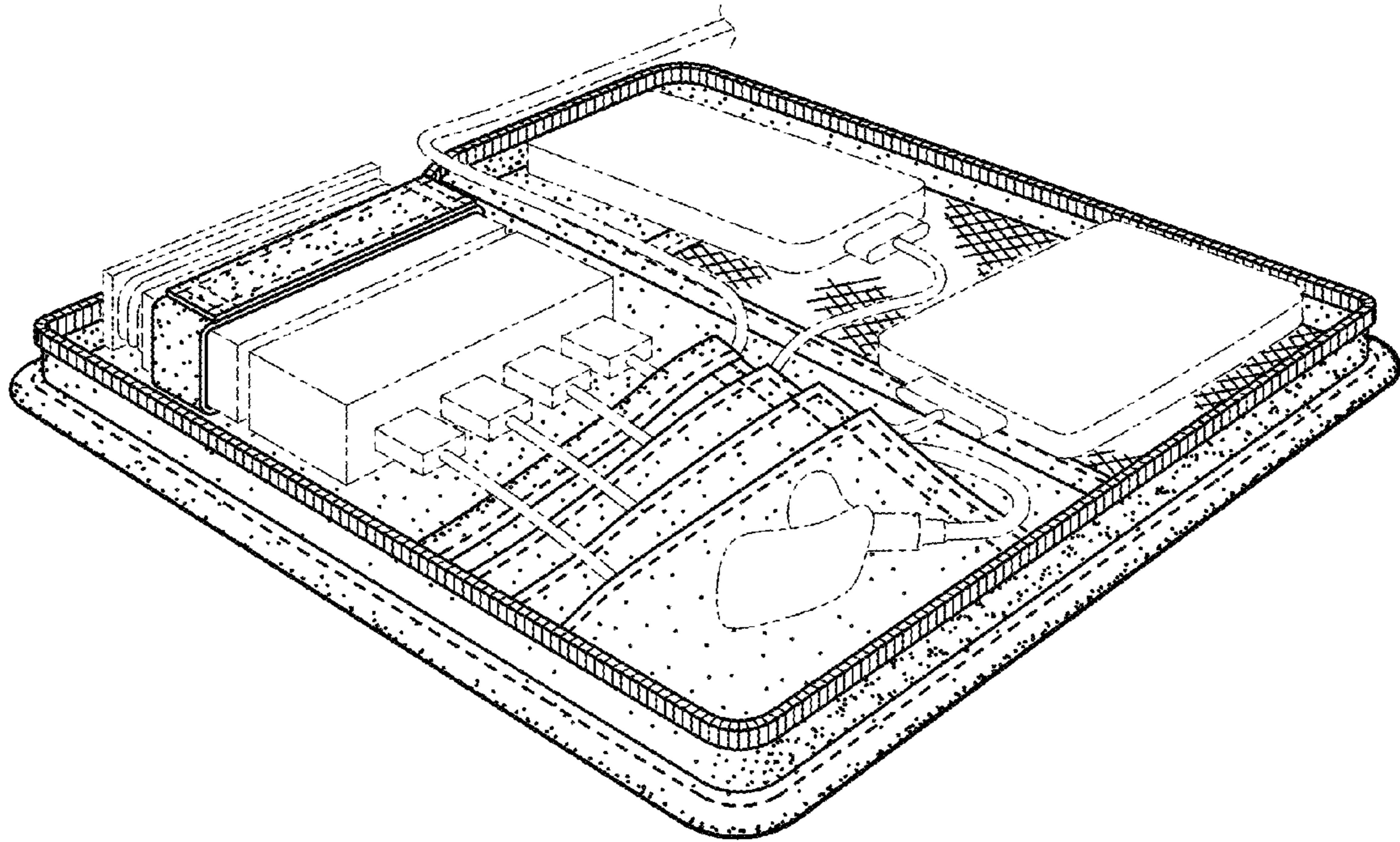


FIG. 1

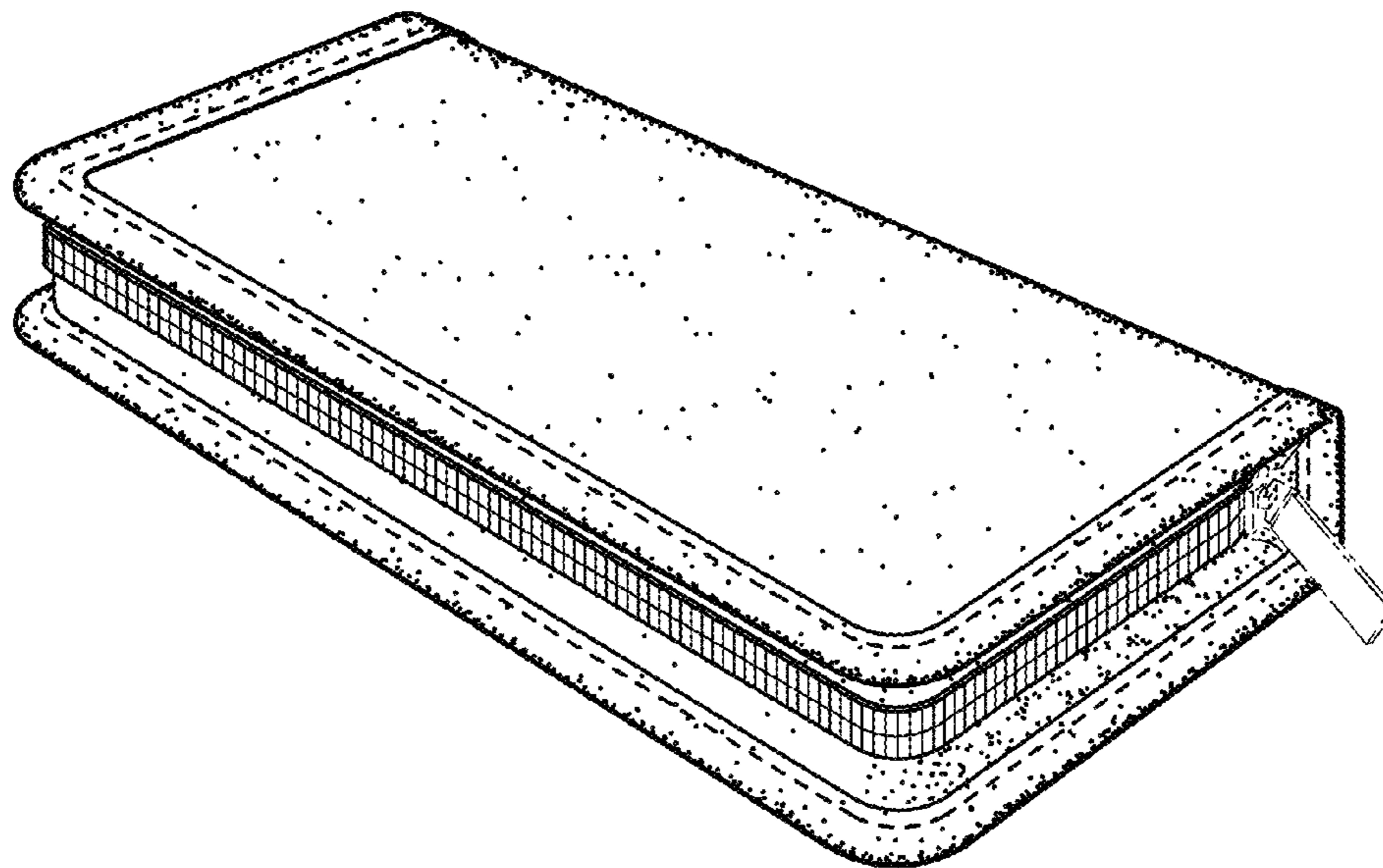


FIG. 2

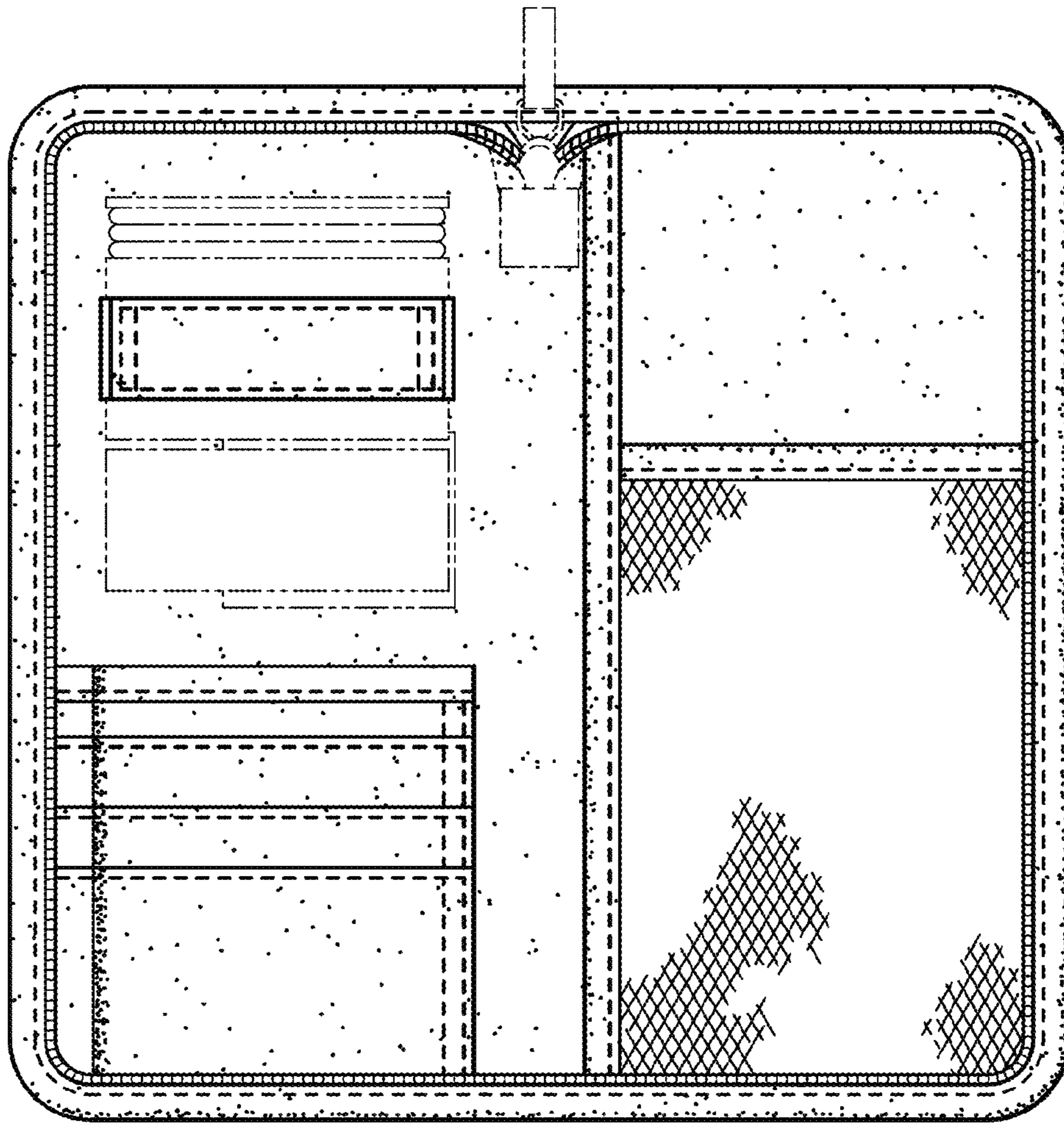


FIG. 3

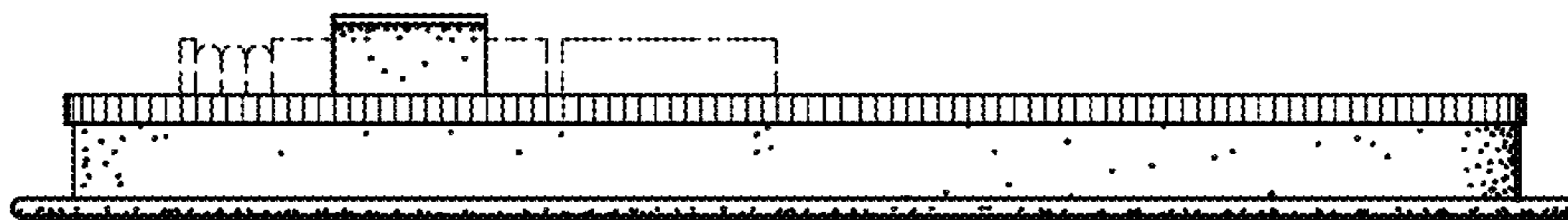


FIG. 4

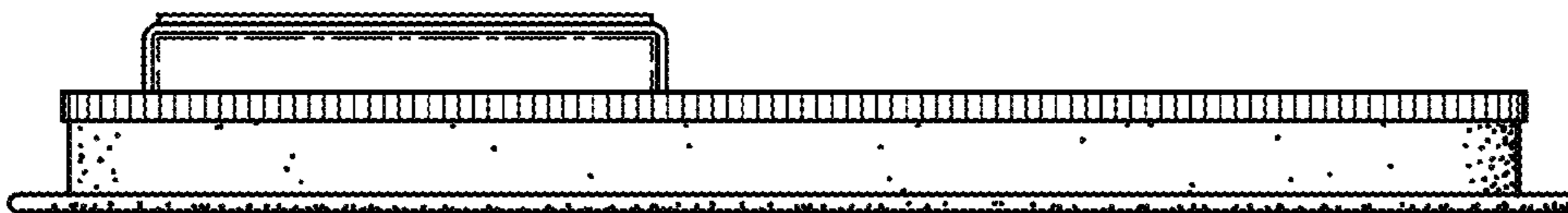


FIG. 5

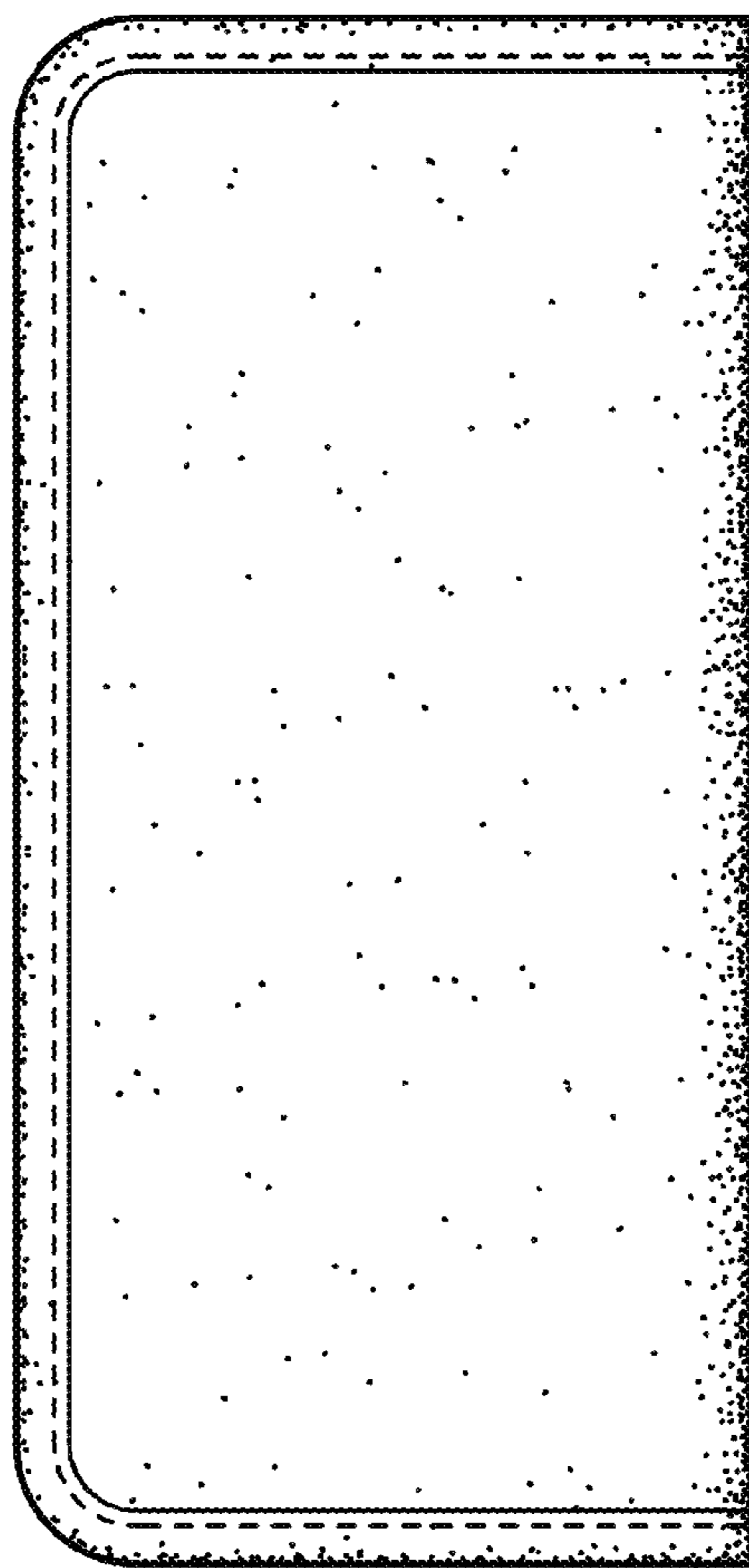


FIG. 6

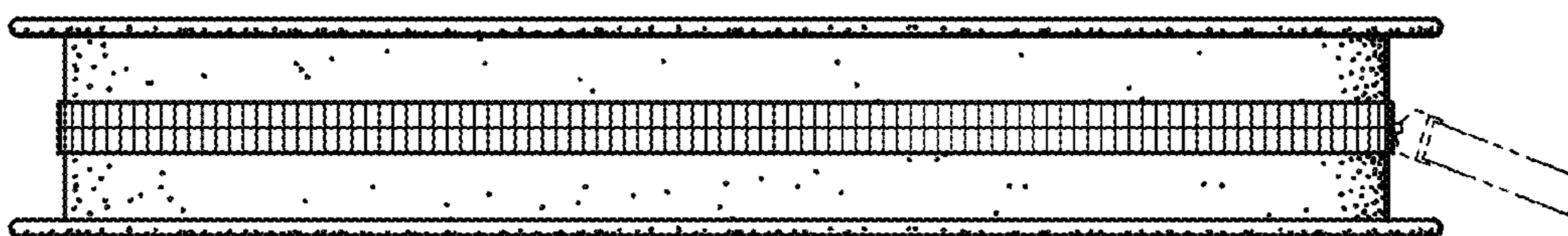


FIG. 7

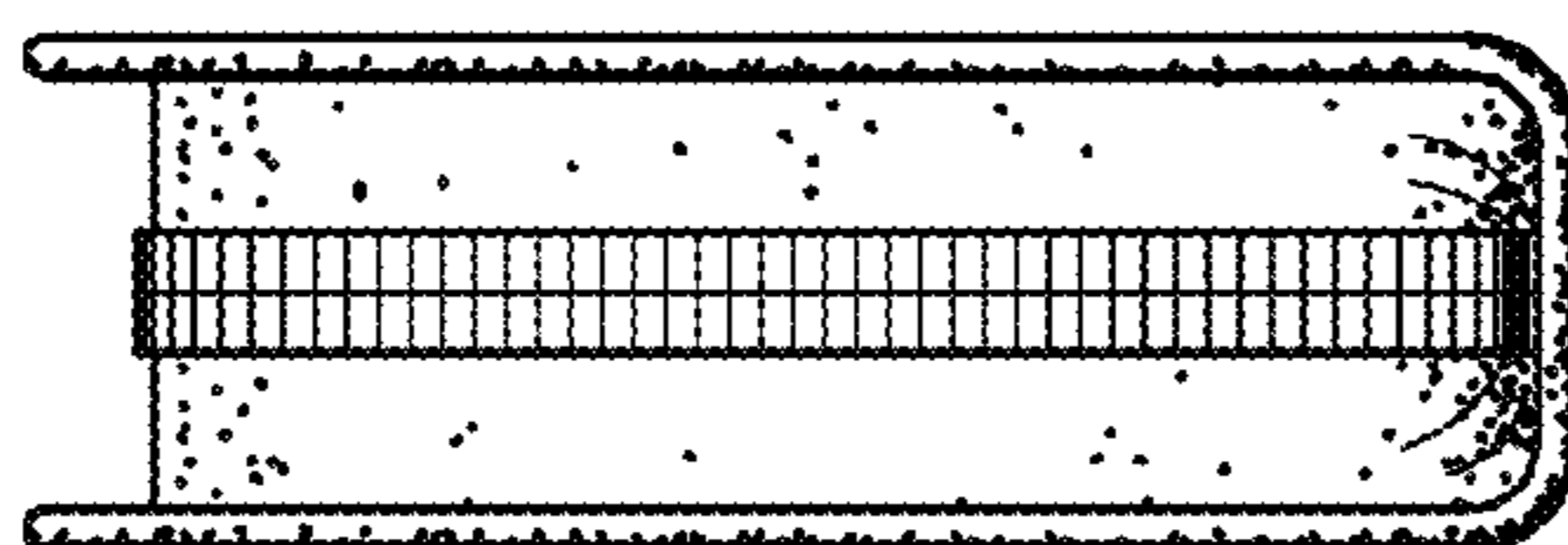


FIG. 8