



US00D687373S

(12) **United States Design Patent**  
**Bianco**

(10) **Patent No.:** **US D687,373 S**

(45) **Date of Patent:** **\*\* Aug. 6, 2013**

(54) **STANCHION FOR ELECTRIC VEHICLE SERVICE EQUIPMENT**

(75) Inventor: **James S. Bianco**, Suffield, CT (US)

(73) Assignee: **Control Module, Inc.**, Enfield, CT (US)

(\*\*) Term: **14 Years**

(21) Appl. No.: **29/403,445**

(22) Filed: **Oct. 6, 2011**

(51) **LOC (9) Cl.** ..... **13-02**

(52) **U.S. Cl.**  
USPC ..... **D13/107**

(58) **Field of Classification Search**  
USPC .... D13/106–110, 118–119, 184, 199; D15/9;  
320/103–115

See application file for complete search history.

(56) **References Cited**

U.S. PATENT DOCUMENTS

5,461,299	A	*	10/1995	Bruni	.....	320/108
D608,731	S	*	1/2010	Amit	.....	D13/107
D608,733	S	*	1/2010	Smith	.....	D13/107
D641,317	S	*	7/2011	Schneiderat	.....	D13/107
D641,694	S	*	7/2011	Akahori et al.	.....	D13/107
D654,430	S	*	2/2012	Demers et al.	.....	D13/107
D654,861	S	*	2/2012	Holthusen	.....	D13/107
D664,918	S	*	8/2012	Brandys et al.	.....	D13/107

D664,919	S	*	8/2012	Brandys et al.	.....	D13/107
D669,026	S	*	10/2012	Oda et al.	.....	D13/107
D675,153	S	*	1/2013	Bianco	.....	D13/107
2010/0315040	A1	*	12/2010	Sakurai	.....	320/109
2011/0140656	A1	*	6/2011	Starr et al.	.....	320/109
2012/0161702	A1	*	6/2012	Kim	.....	320/109
2012/0181984	A1	*	7/2012	Okabayashi et al.	.....	320/109

\* cited by examiner

*Primary Examiner* — Rosemary K Tarcza

(74) *Attorney, Agent, or Firm* — Alix, Yale & Ristas, LLP

(57) **CLAIM**

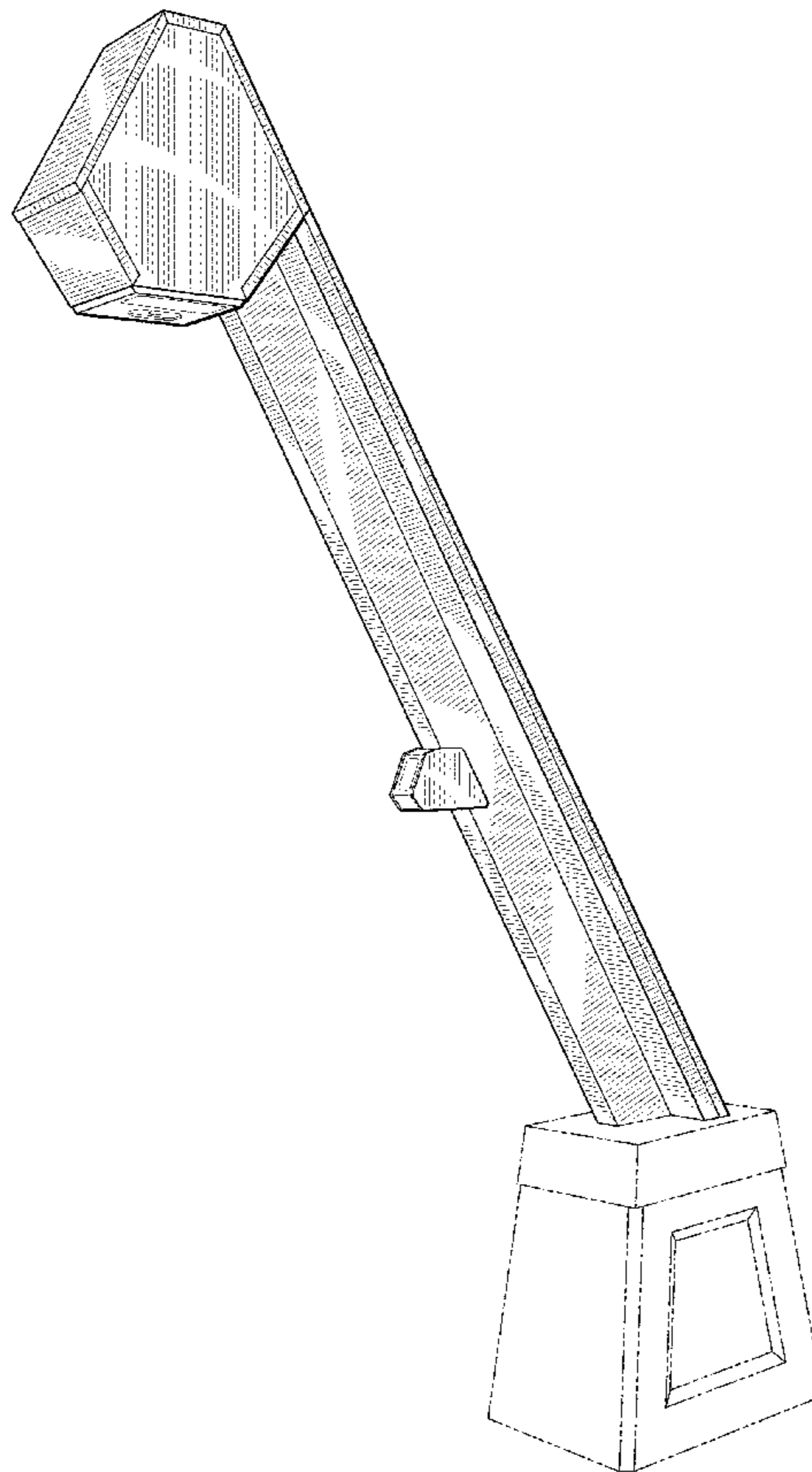
The ornamental design for the stanchion for electric vehicle service equipment, as shown and described.

**DESCRIPTION**

FIG. 1 is a perspective view of a stanchion for electric vehicle service equipment showing my new design; FIG. 2 is a left side elevational view thereof; FIG. 3 is a right side elevational view thereof; FIG. 4 is a front elevational view thereof; FIG. 5 is a rear elevational view thereof; FIG. 6 is a top plan view thereof; and, FIG. 7 is a bottom plan view thereof.

The broken lines in the drawings illustrate unclaimed portions of the stanchion for electric vehicle service equipment and form no part of the claimed design.

**1 Claim, 5 Drawing Sheets**



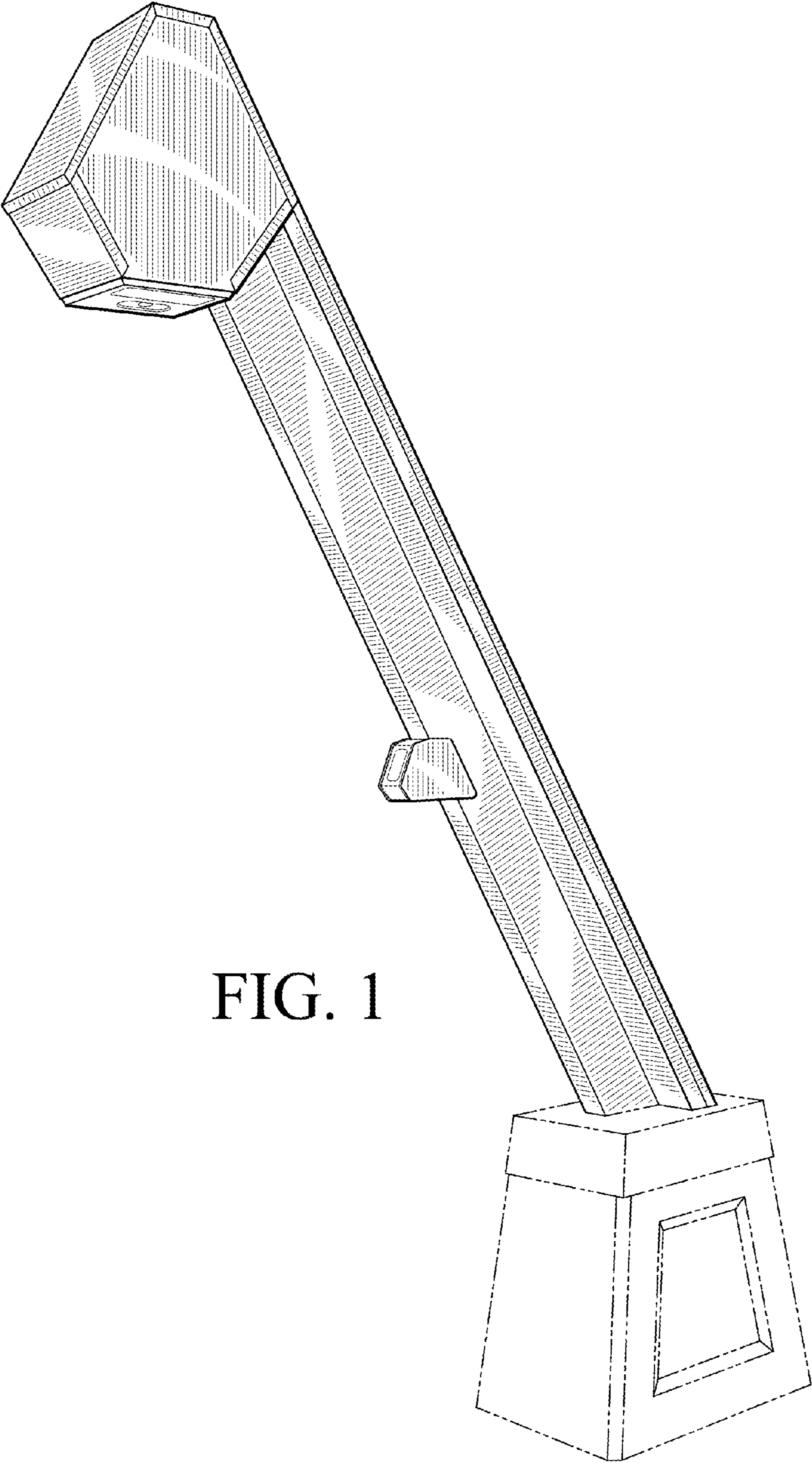


FIG. 1

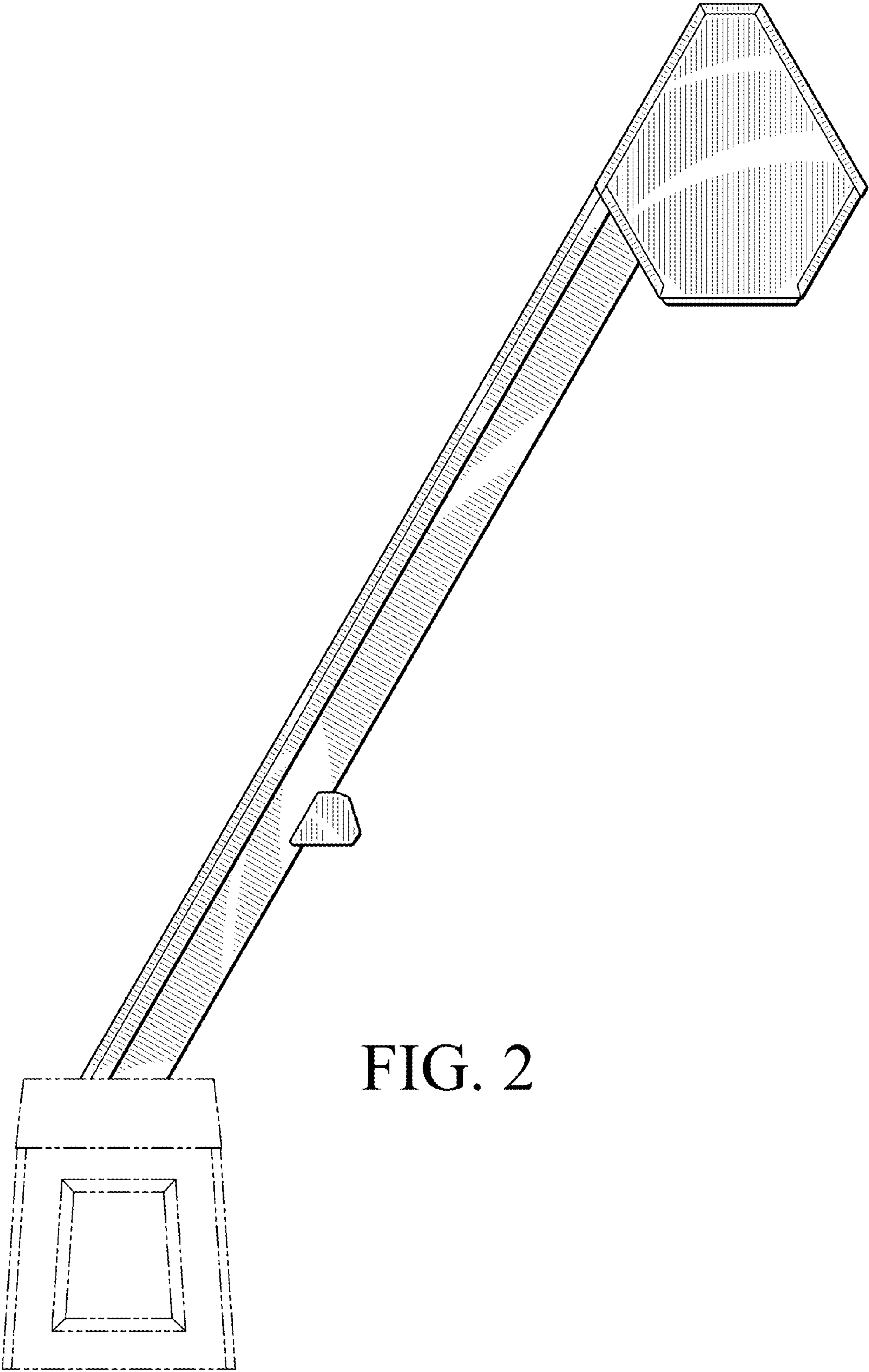


FIG. 2



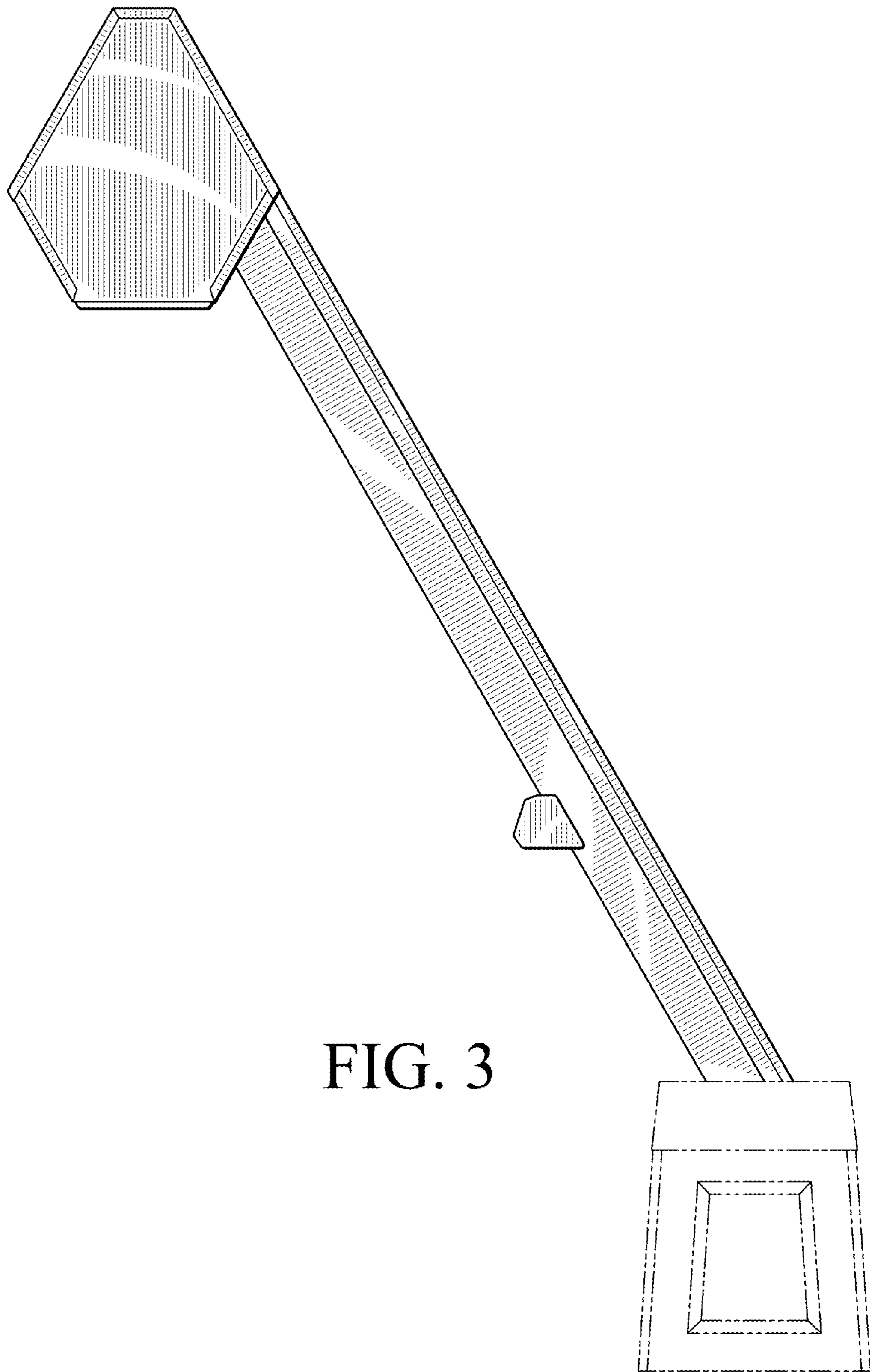


FIG. 3

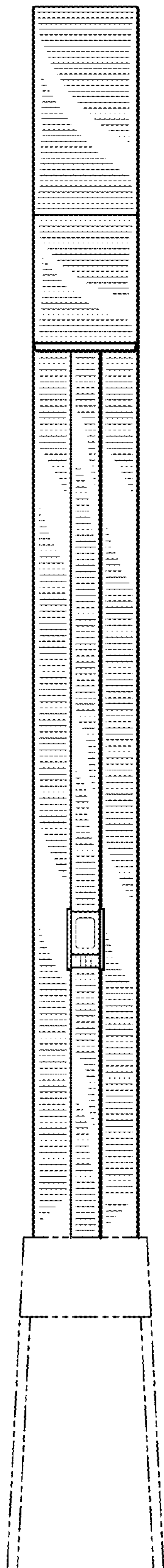


FIG. 4

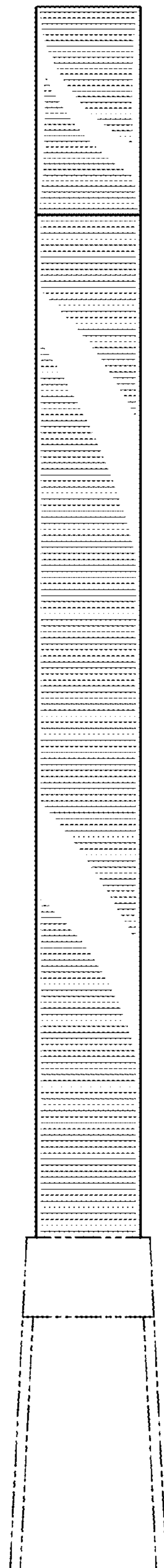


FIG. 5

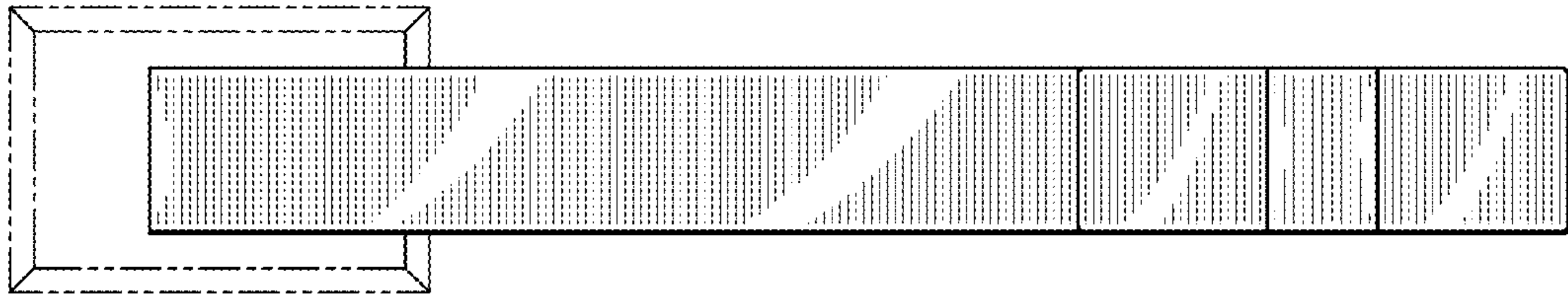


FIG. 6

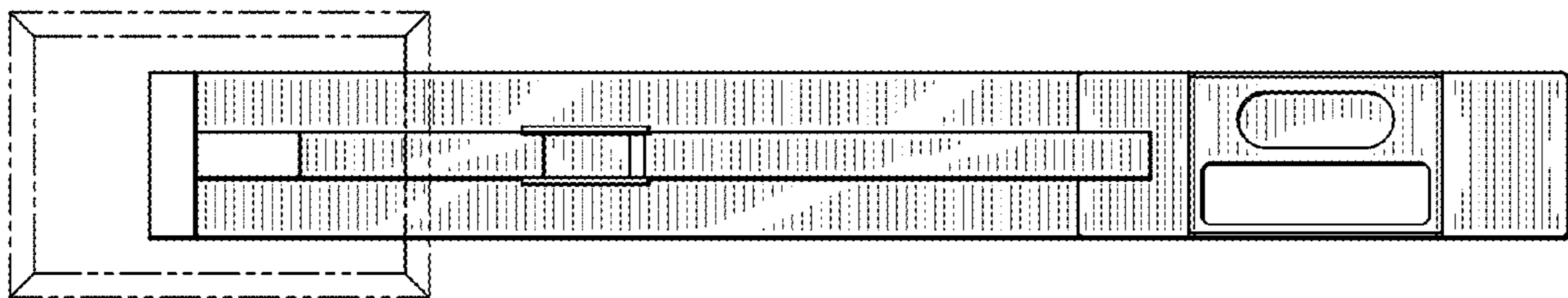


FIG. 7