



US00D687370S

(12) **United States Design Patent**
Kitamura

(10) **Patent No.:** **US D687,370 S**

(45) **Date of Patent:** **** Aug. 6, 2013**

(54) **TREAD PORTION OF AN AUTOMOBILE TIRE**

(75) Inventor: **Kazutake Kitamura**, Tokyo (JP)

(73) Assignee: **Bridgestone Corporation**, Tokyo (JP)

(**) Term: **14 Years**

(21) Appl. No.: **29/412,970**

(22) Filed: **Feb. 9, 2012**

(30) **Foreign Application Priority Data**

Aug. 10, 2011 (JP) 2011-018389

(51) **LOC (9) Cl.** **12-15**

(52) **U.S. Cl.**
USPC **D12/583**

(58) **Field of Classification Search**
USPC D12/568-603; 152/209.1-209.28
See application file for complete search history.

(56) **References Cited**

U.S. PATENT DOCUMENTS

D558,136 S * 12/2007 Maegaki et al. D12/591
D619,528 S * 7/2010 Sakamoto D12/583
D647,463 S * 10/2011 Kojima D12/583

* cited by examiner

Primary Examiner — George D Kirschbaum
(74) *Attorney, Agent, or Firm* — Sughrue Mion, PLLC

(57) **CLAIM**

The ornamental design for a tread portion of an automobile tire, as shown and described.

DESCRIPTION

FIG. 1 is a perspective view of the tread portion of an automobile tire according to my design;
FIG. 2 is a front view thereof;
FIG. 3 is a plane view thereof;
FIG. 4 is a right side view thereof;
FIG. 5 is a fragmentary enlarged view showing the details of the tread portion thereof; and,
FIG. 6 is an end view taken along line 6-6 in FIG. 5.
Broken lines in the drawing figures are used to show unclaimed portions of the tire, and thus form no part of the claimed design.

1 Claim, 6 Drawing Sheets

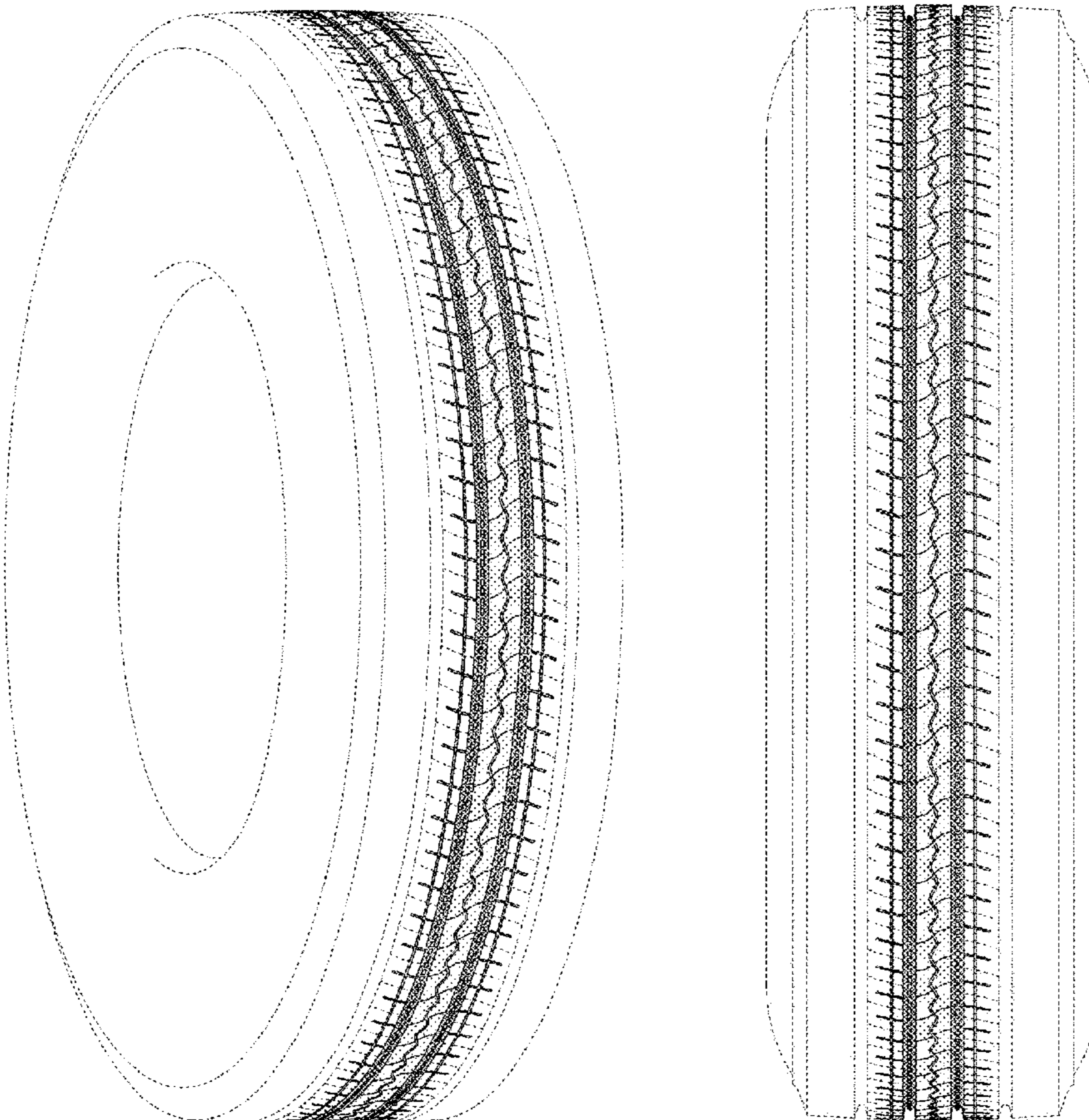


FIG. 1

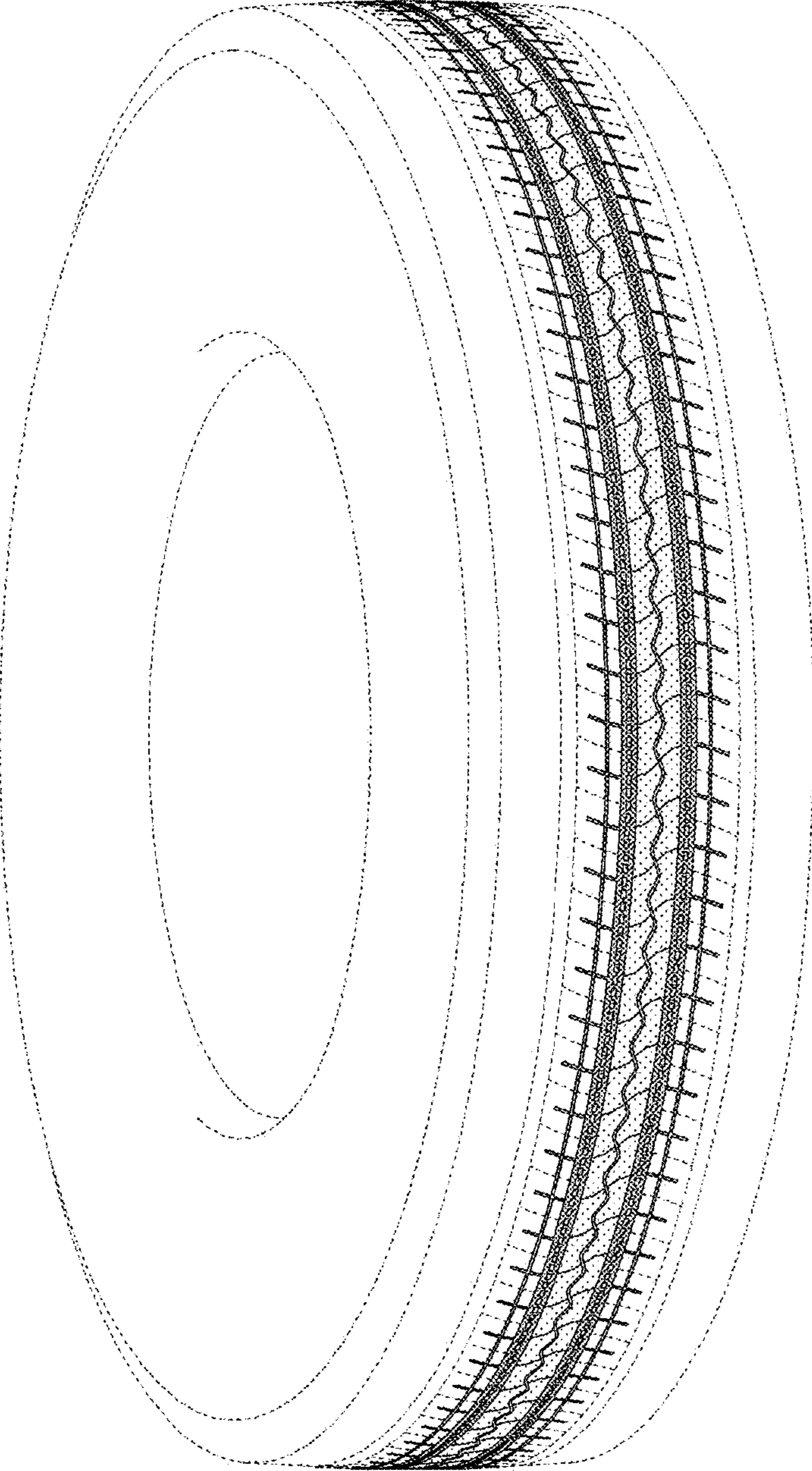


FIG. 2

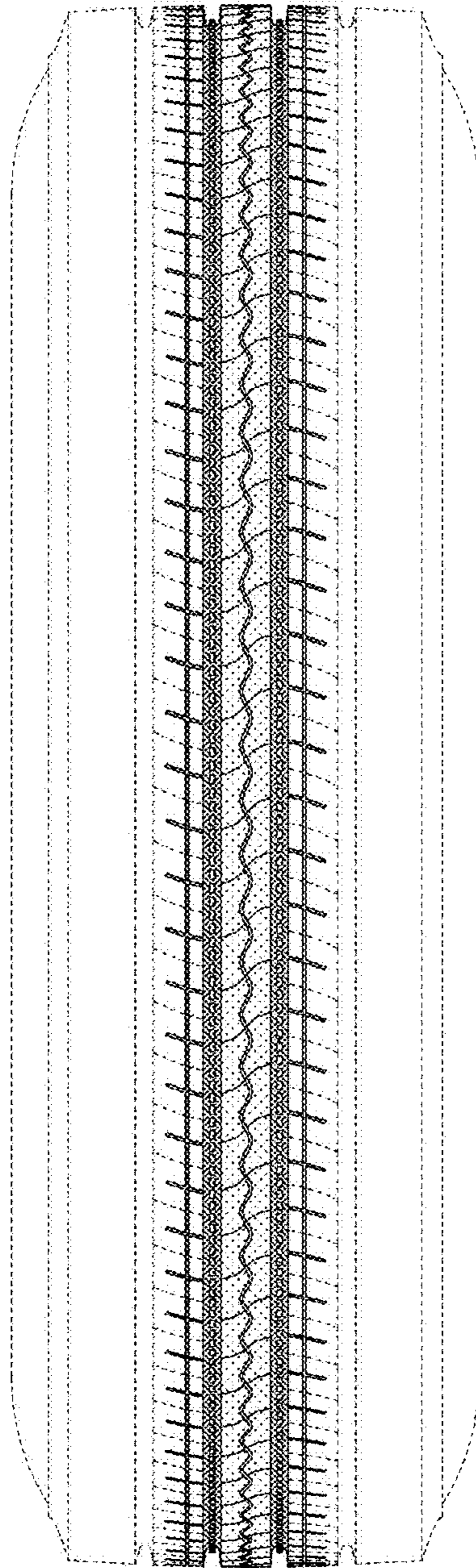


FIG. 3

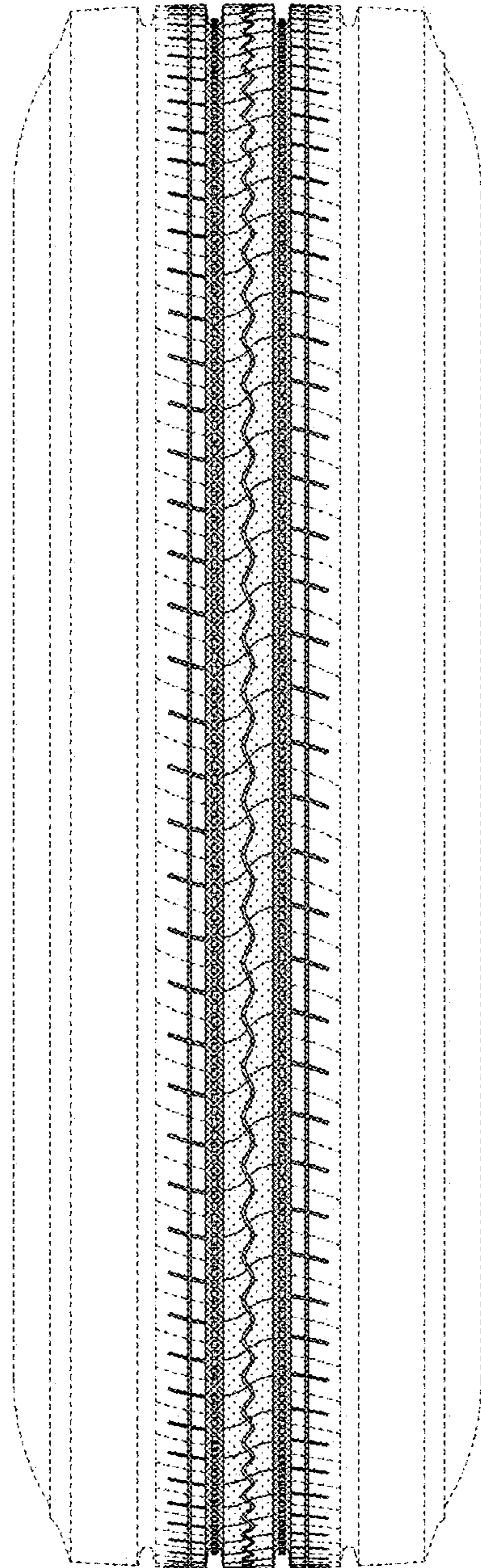


FIG. 4

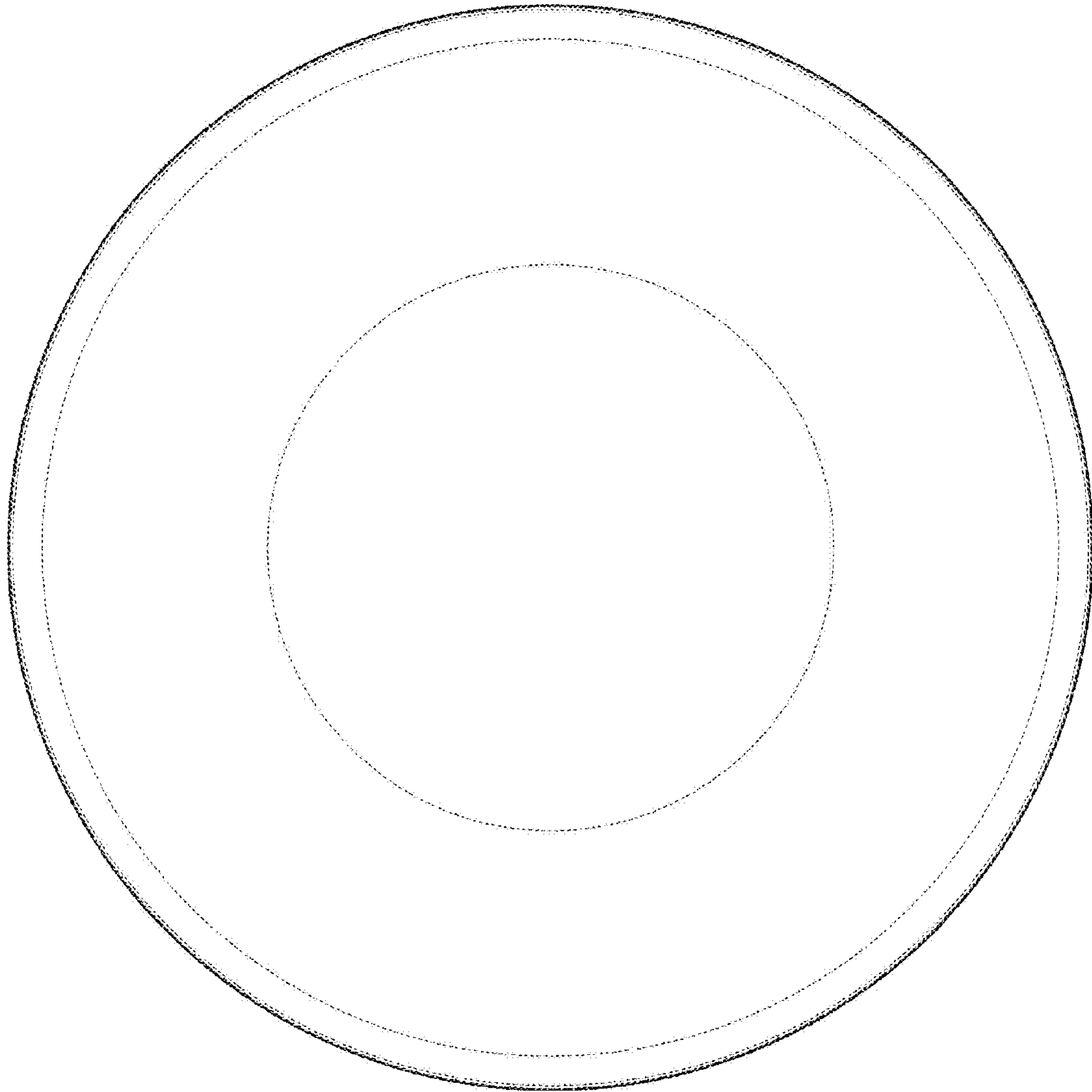


FIG. 5

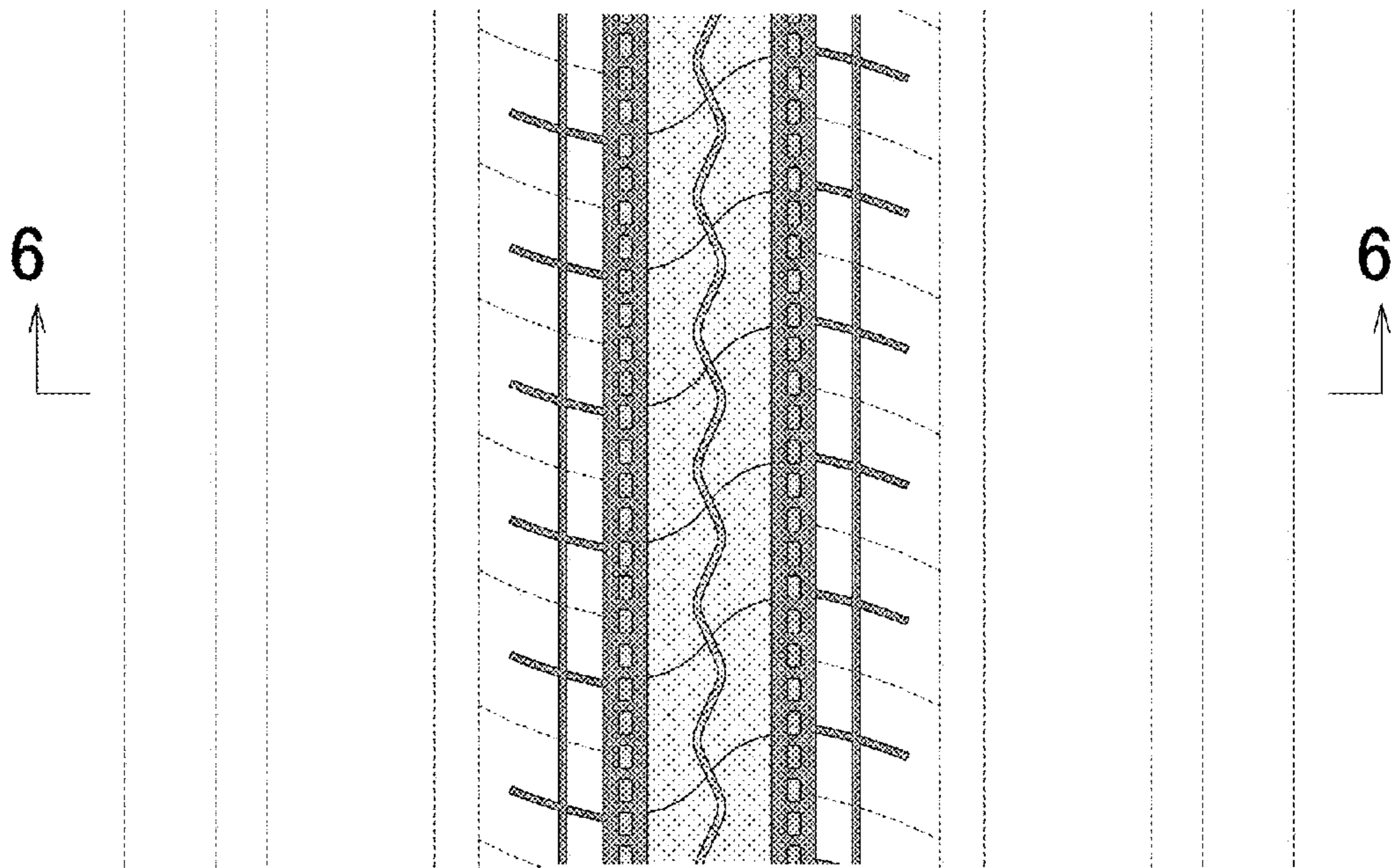


FIG. 6

