



US00D687365S

(12) **United States Design Patent**  
**Kondo et al.**

(10) **Patent No.:** **US D687,365 S**

(45) **Date of Patent:** **\*\* Aug. 6, 2013**

(54) **AIRCRAFT WINDSHIELD**

(75) Inventors: **Junichi Kondo**, Greensboro, NC (US);  
**Michimasa Fujino**, Summerfield, NC  
(US)

(73) Assignee: **Honda Patents & Technologies North  
America, LLC**, Torrance, CA (US)

(\*\*) Term: **14 Years**

(21) Appl. No.: **29/403,112**

(22) Filed: **Sep. 30, 2011**

(51) **LOC (9) Cl.** ..... **12-07**

(52) **U.S. Cl.**  
USPC ..... **D12/345**

(58) **Field of Classification Search**  
USPC ..... 49/380, 372; 52/202; D12/345, 42,  
D12/183, 404; D6/383, 356, 357, 335, 381,  
D6/382, 336, 377, 371, 337, 360, 361; 297/245,  
297/118, 244; 244/118.5, 118.6, 112 R, 129.3,  
244/129.4, 122 AH, 119  
See application file for complete search history.

(56) **References Cited**

**U.S. PATENT DOCUMENTS**

5,062,595 A \* 11/1991 Maxworthy ..... 244/214  
D337,751 S \* 7/1993 Silva ..... D12/324

D491,875 S \* 6/2004 Eatkins et al. .... D12/319  
D512,365 S \* 12/2005 Bladt et al. .... D12/345  
D515,012 S \* 2/2006 Eatkins et al. .... D12/319  
D515,013 S \* 2/2006 Eatkins et al. .... D12/319  
D516,995 S \* 3/2006 Eatkins et al. .... D12/319  
D616,353 S \* 5/2010 Guering ..... D12/345  
D616,354 S \* 5/2010 Saint-Jalmes et al. .... D12/345  
D624,866 S \* 10/2010 Saint-Jalmes et al. .... D12/345  
D626,491 S \* 11/2010 Saint-Jalmes et al. .... D12/345  
D640,962 S \* 7/2011 Guering ..... D12/345  
D642,111 S \* 7/2011 Saint-Jalmes et al. .... D12/345

\* cited by examiner

*Primary Examiner* — Austin Murphy

(74) *Attorney, Agent, or Firm* — Plumsea Law Group, LLC

(57) **CLAIM**

The ornamental design for aircraft windshield, as shown and described.

**DESCRIPTION**

FIG. 1 is a perspective view of aircraft windshield showing our new design;

FIG. 2 is a top plan view thereof;

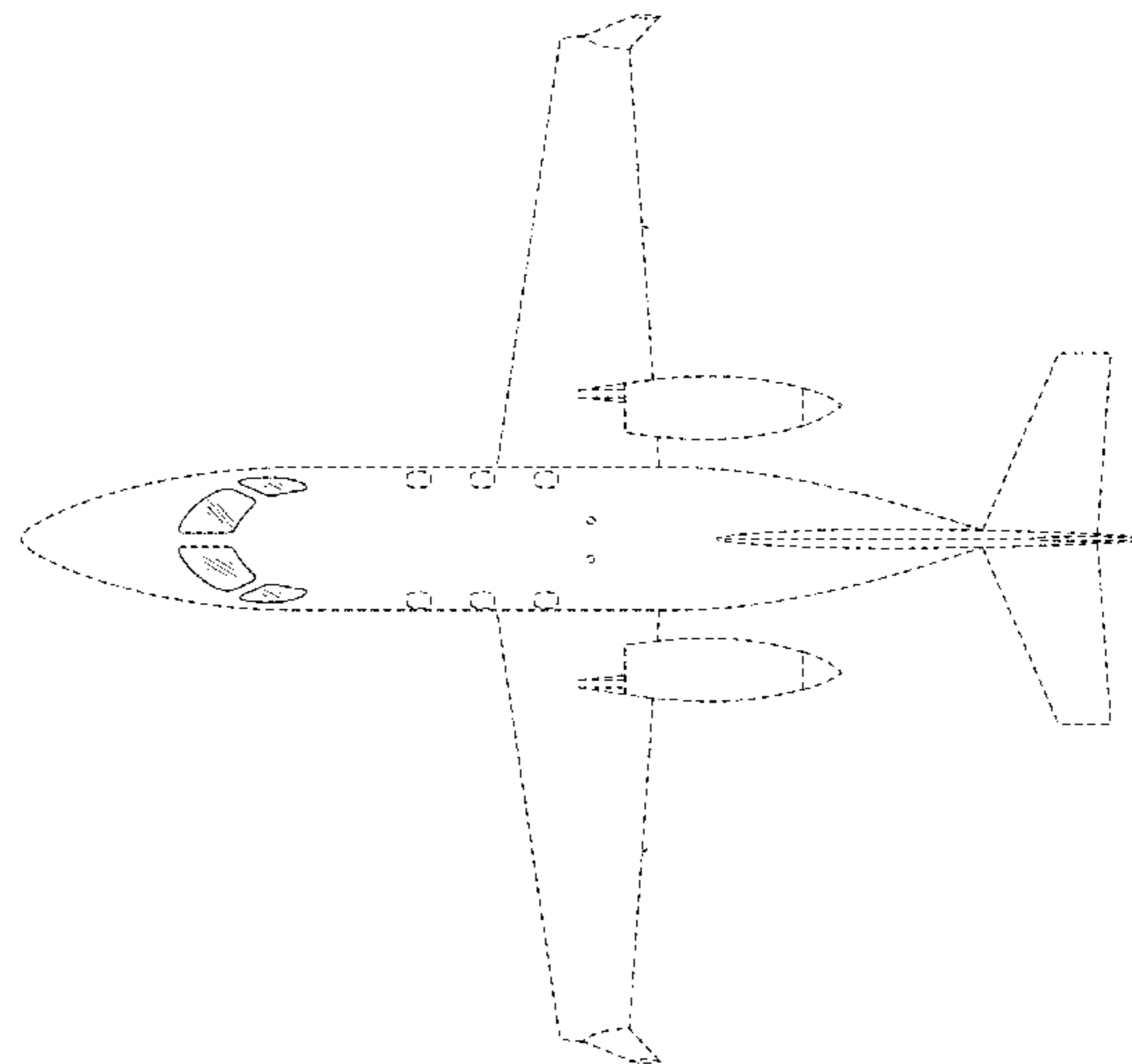
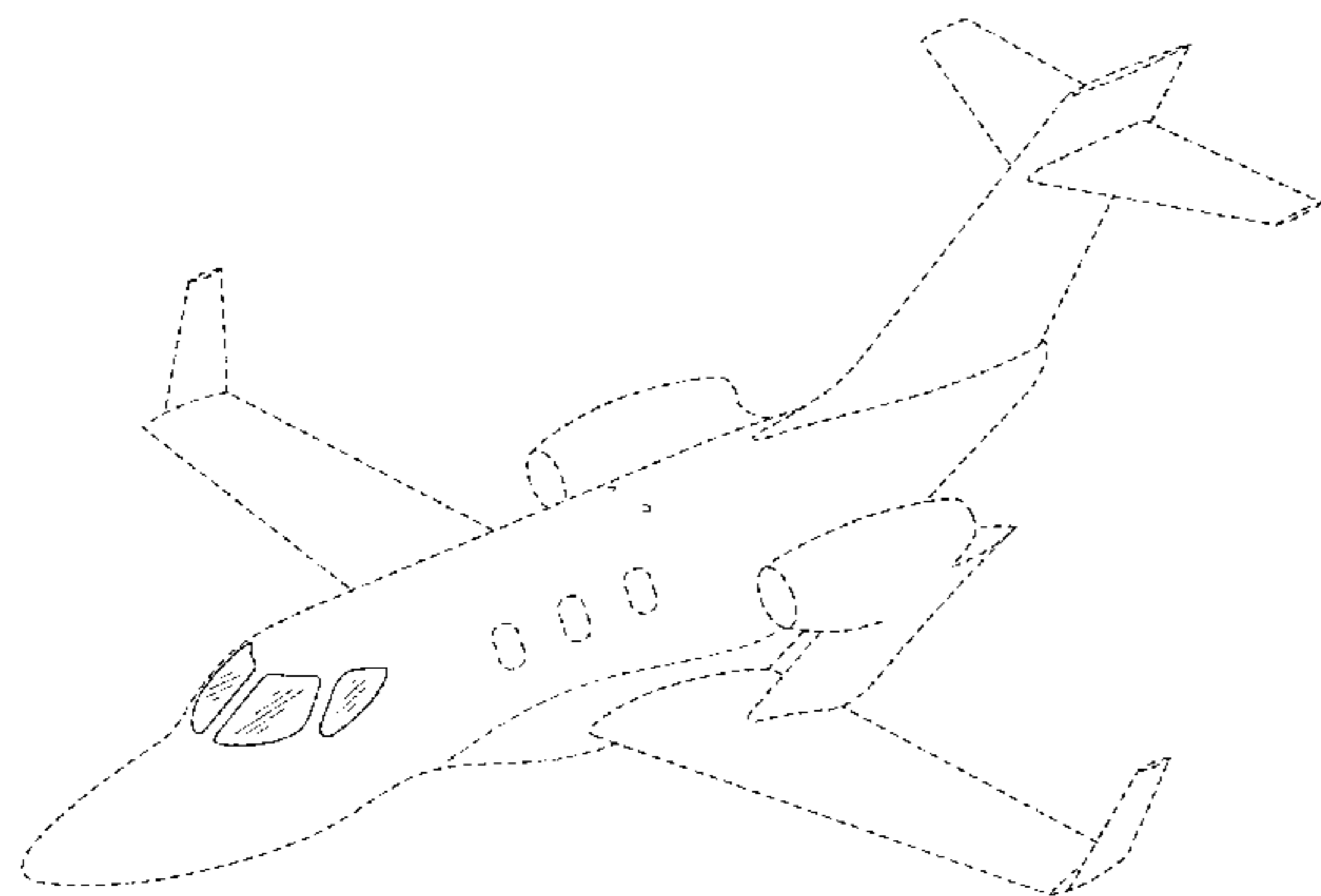
FIG. 3 is a side elevational view of one side thereof;

FIG. 4 is a side elevational view of the other side thereof; and,

FIG. 5 is a front elevational view thereof.

The broken line showings of the remainder of the aircraft form no part of the claimed design.

**1 Claim, 4 Drawing Sheets**



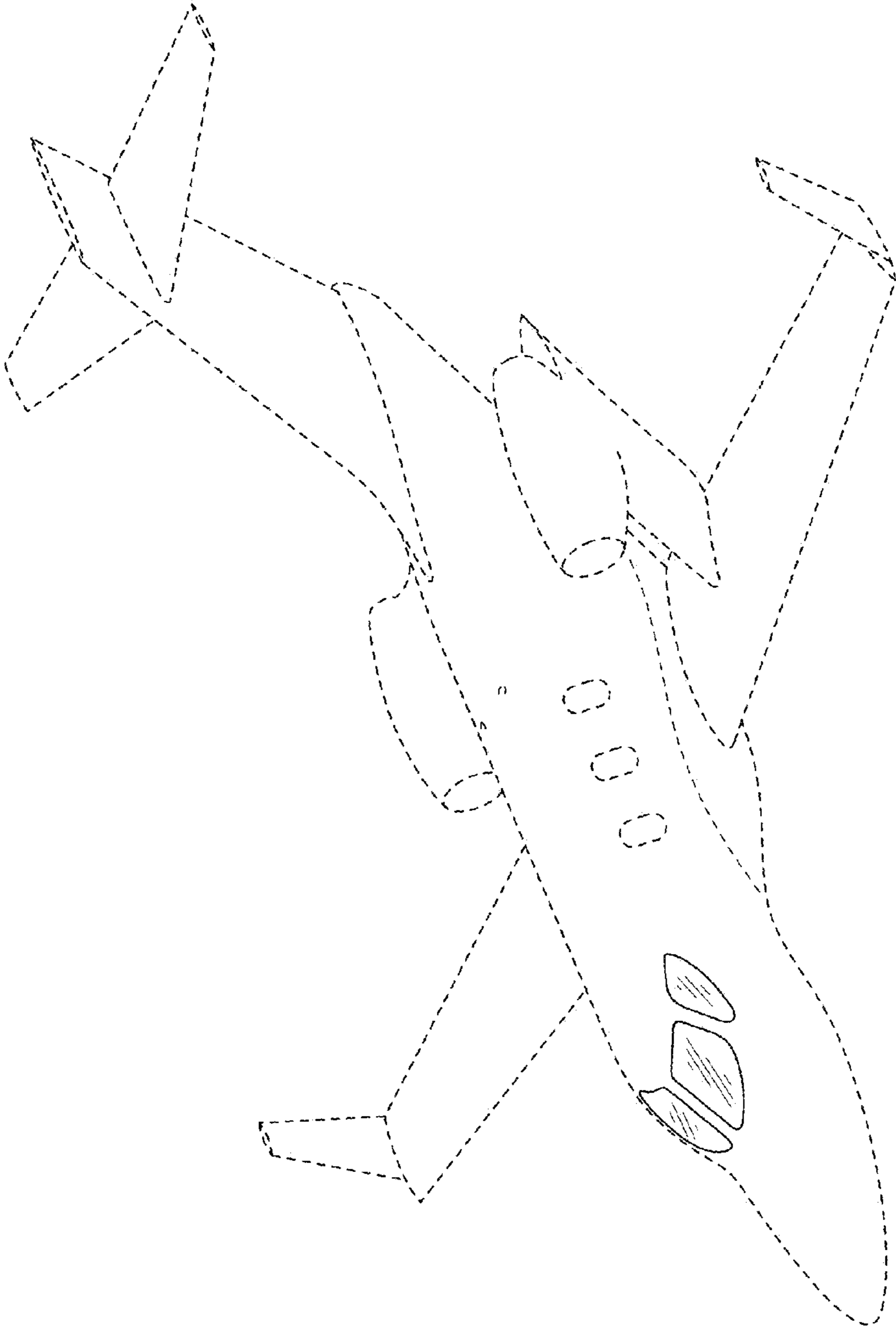


FIG. 1

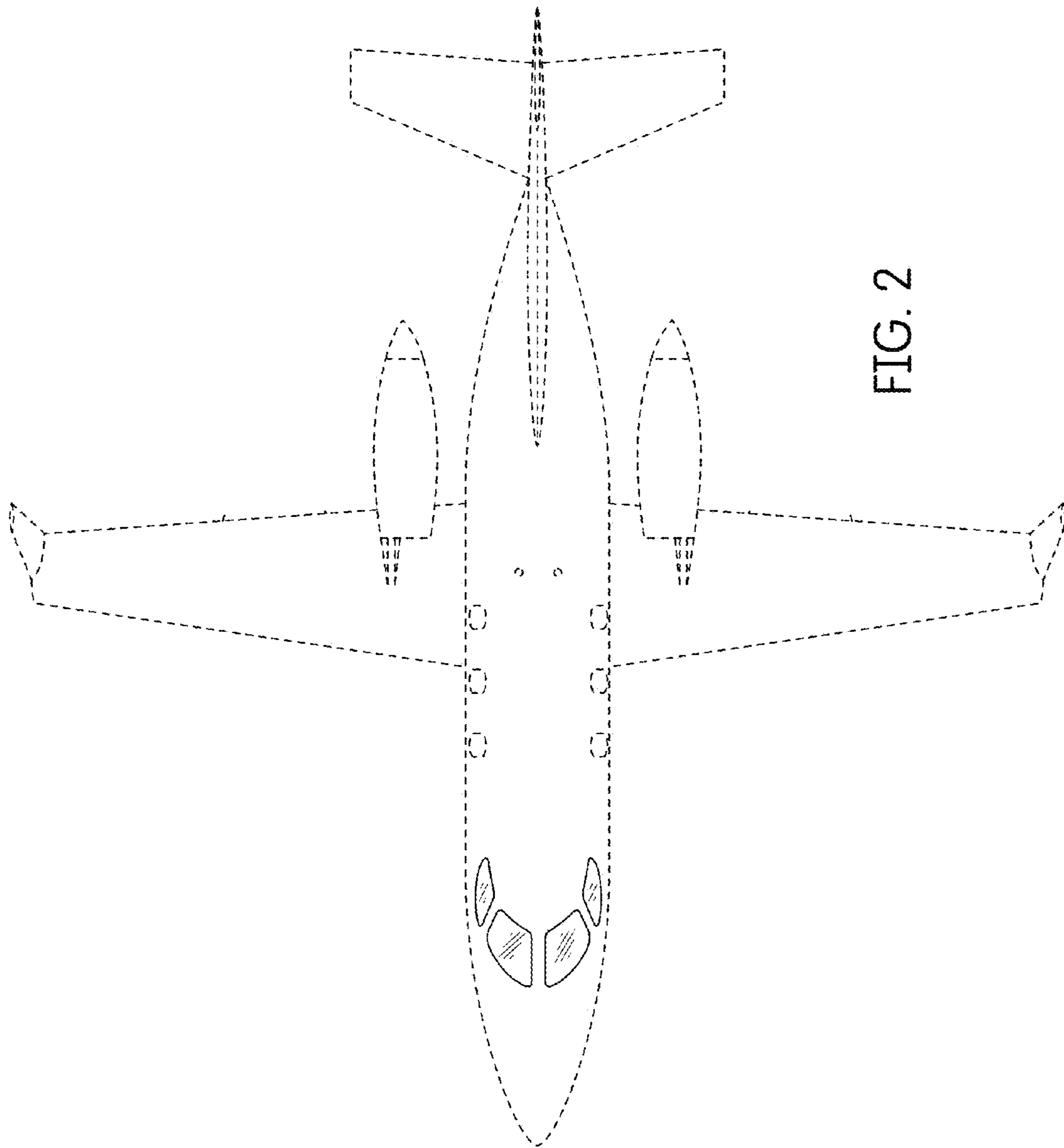


FIG. 2

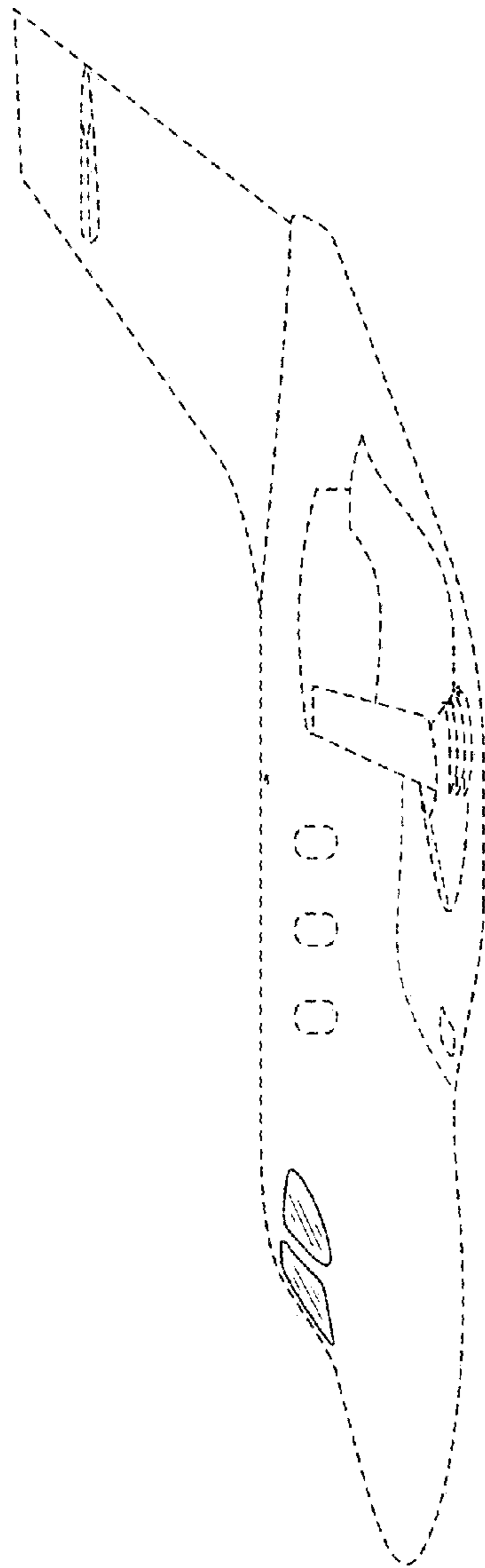


FIG. 3

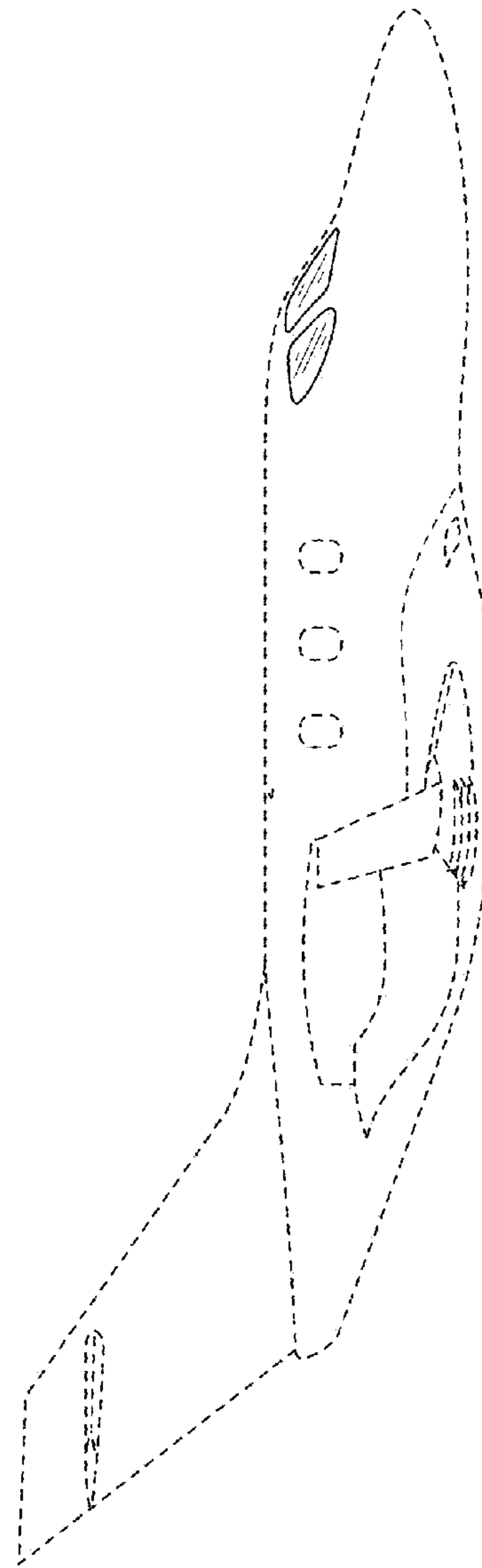


FIG. 4

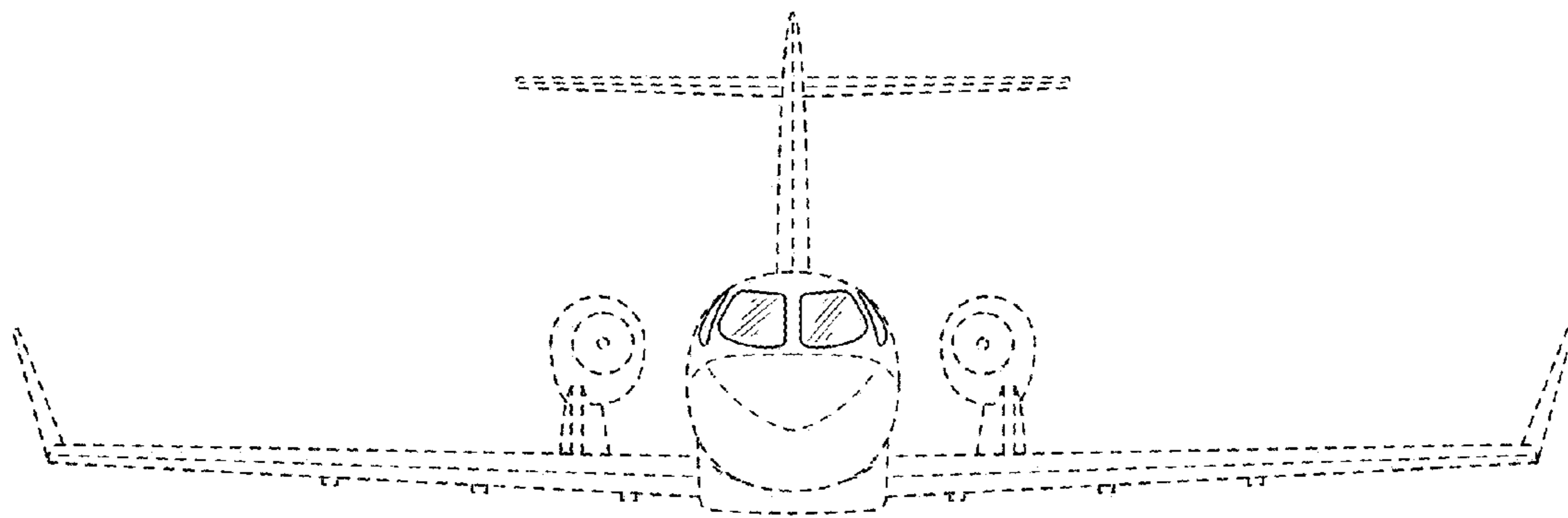


FIG. 5