

US00D687364S

(12) **United States Design Patent**
Mitchell et al.

(10) **Patent No.:** **US D687,364 S**
(45) **Date of Patent:** **** Aug. 6, 2013**

(54) **HELICOPTER**

(75) Inventors: **Jerry Odean Mitchell**, Bedford, TX
(US); **Lynn Francis Eschete**, Arlington,
TX (US)

(73) Assignee: **Bell Helicopter Textron Inc.**, Fort
Worth, TX (US)

(**) Term: **14 Years**

(21) Appl. No.: **29/413,136**

(22) Filed: **Feb. 10, 2012**

(51) **LOC (9) Cl.** **12-07**

(52) **U.S. Cl.**
USPC **D12/326**

(58) **Field of Classification Search**

USPC D12/319, 326, 327, 328, 329, 331-334,
D12/337, 338, 339, 344, 345; D21/430, 441,
D21/442, 446, 447, 448, 449, 450, 451, 452,
D21/453; 244/2, 5, 6, 7 C, 7 R, 7 A, 12.1,
244/12.3, 12.4, 17.11, 17.19, 17.23, 17.25,
244/17.27, 8, 99.1, 119, 117 R, 118.5, 60,
244/12.2, 221; 280/1.12; 446/230, 231, 232,
446/233, 235, 37

See application file for complete search history.

(56) **References Cited**

U.S. PATENT DOCUMENTS

D206,734 S * 1/1967 Kesling D12/327
D239,710 S * 4/1976 Garrison D12/327

D242,338 S * 11/1976 Gilday D12/327
3,999,726 A * 12/1976 Carlson et al. 244/221
D278,227 S * 4/1985 Johnston, Jr. D12/327
5,209,430 A * 5/1993 Wilson et al. 244/17.19
D363,054 S * 10/1995 Taylor et al. D12/327
6,123,290 A * 9/2000 Lavergne et al. 244/17.11
6,446,907 B1 * 9/2002 Wilson et al. 244/17.11
7,731,121 B2 * 6/2010 Smith et al. 244/17.19

* cited by examiner

Primary Examiner — Caron D Veynar

Assistant Examiner — Martie K Holtje

(74) *Attorney, Agent, or Firm* — Baker Botts L.L.P.

(57) **CLAIM**

The ornamental design for a helicopter, as shown and described.

DESCRIPTION

FIG. 1 is a right, front perspective view of a helicopter showing our new design;

FIG. 2 is a top plan view thereof;

FIG. 3 is a right side elevational view thereof;

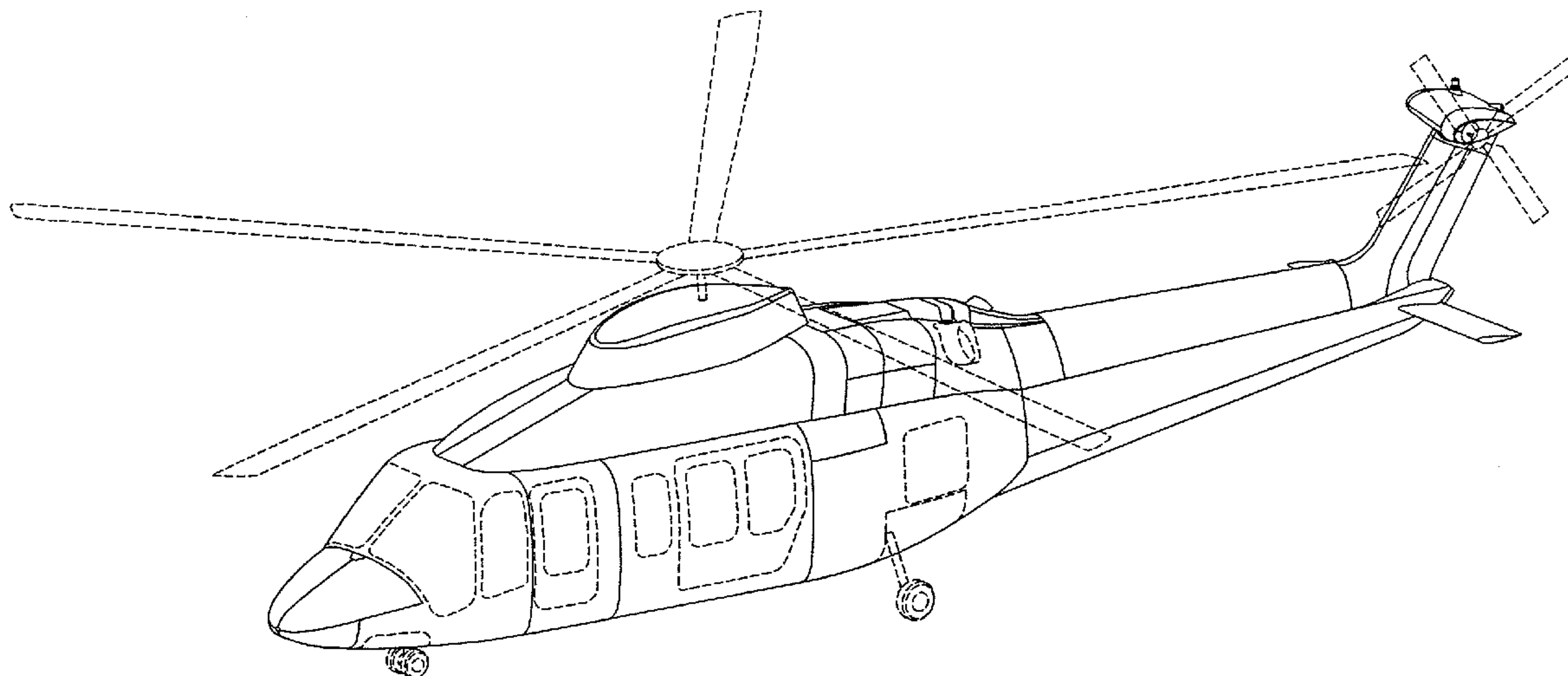
FIG. 4 is a front elevational view thereof;

FIG. 5 is a rear elevational view thereof; and,

FIG. 6 is a bottom plan view thereof.

The broken line depictions are included for the purpose of illustrating portions of the helicopter that form no part of the claimed design.

1 Claim, 5 Drawing Sheets



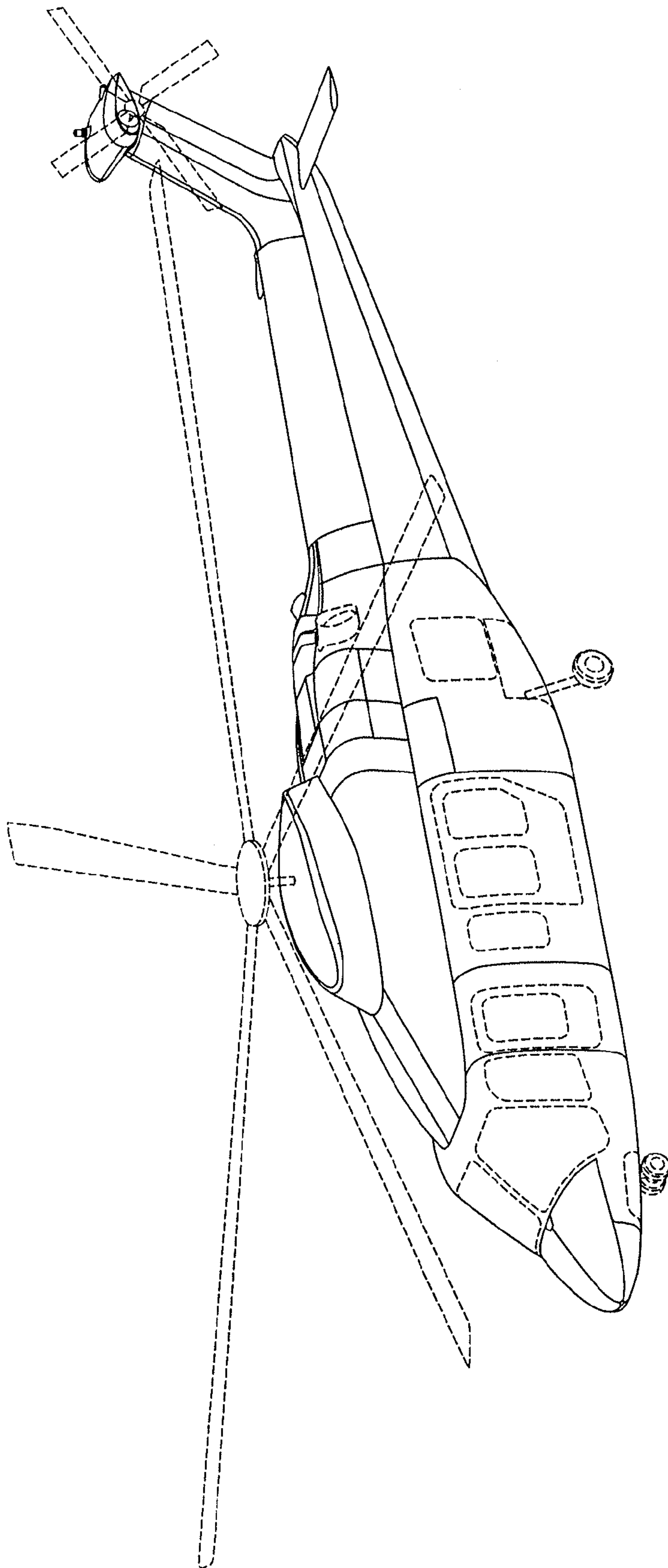


FIG. 1

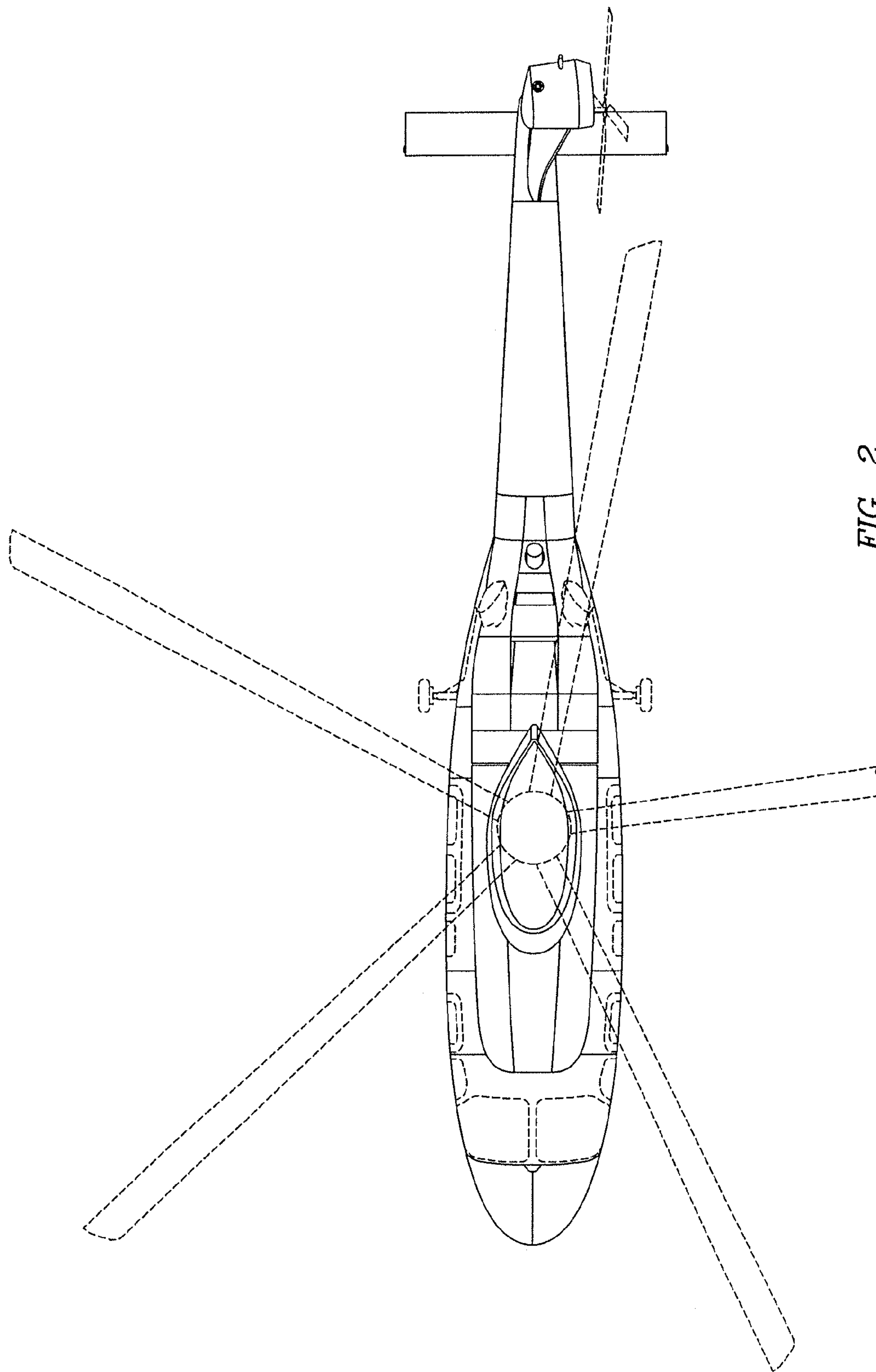


FIG. 2

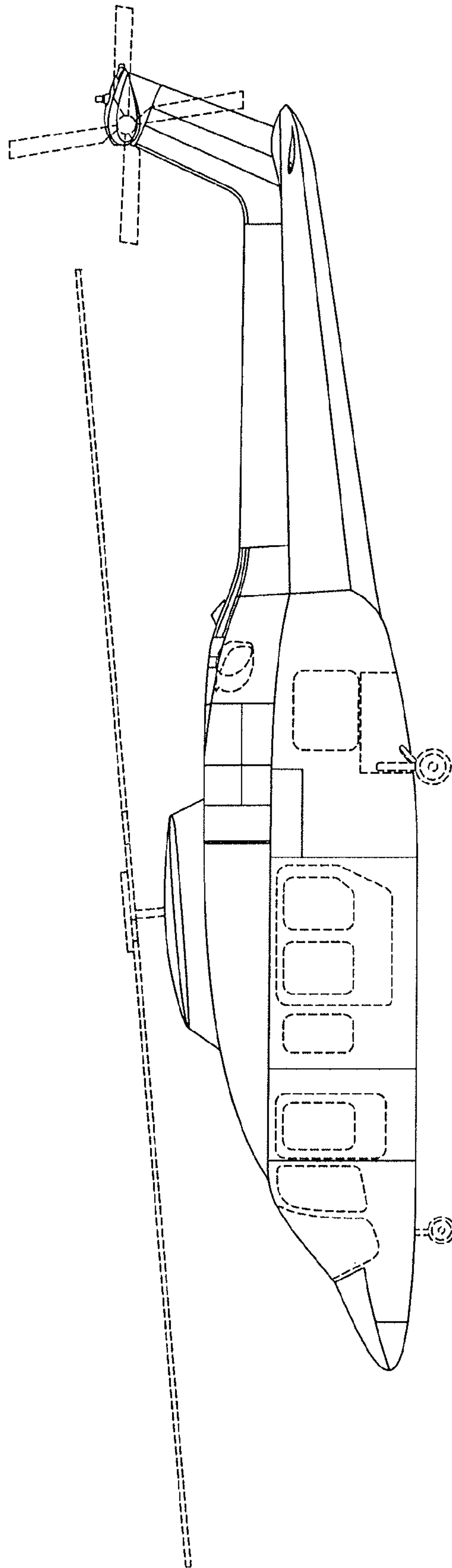


FIG. 3

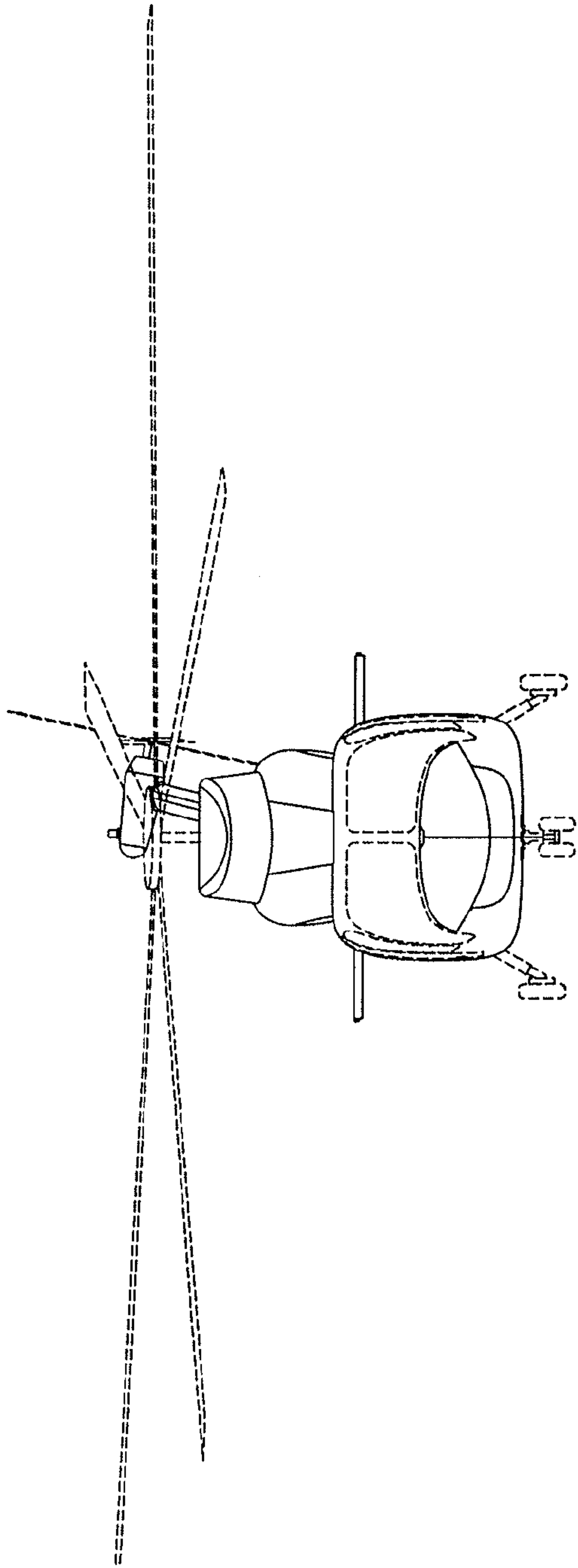


FIG. 4

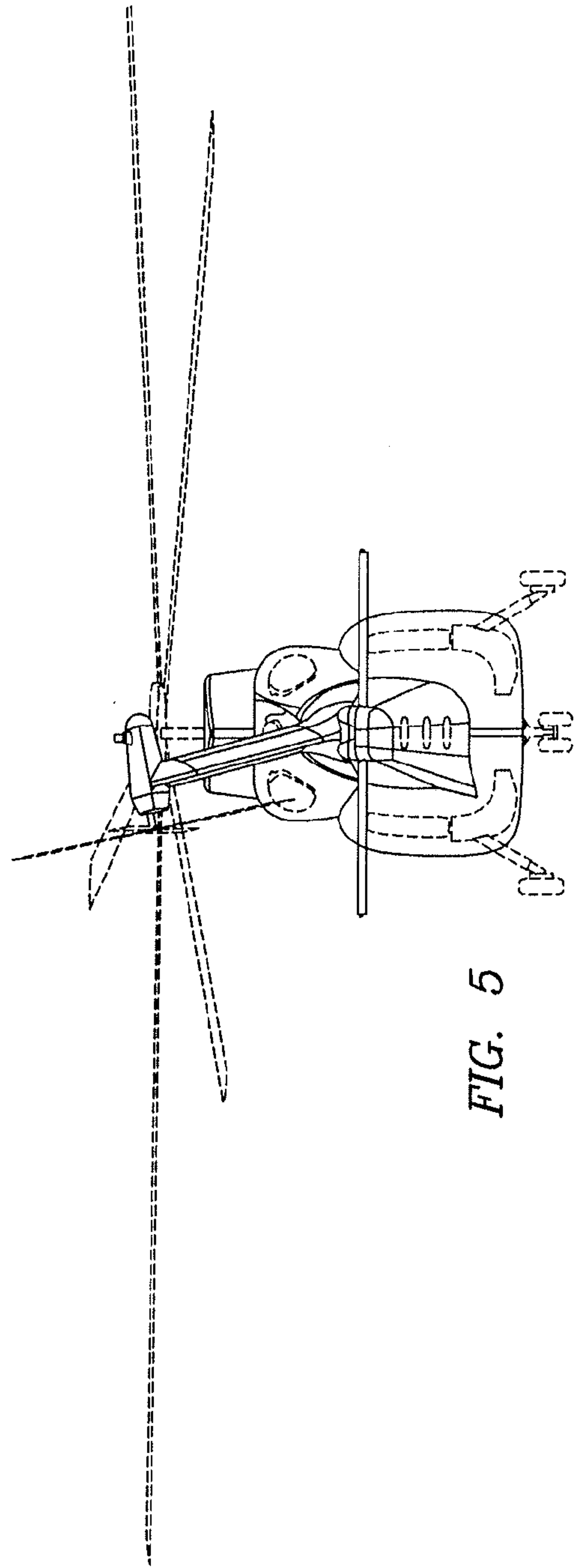


FIG. 5

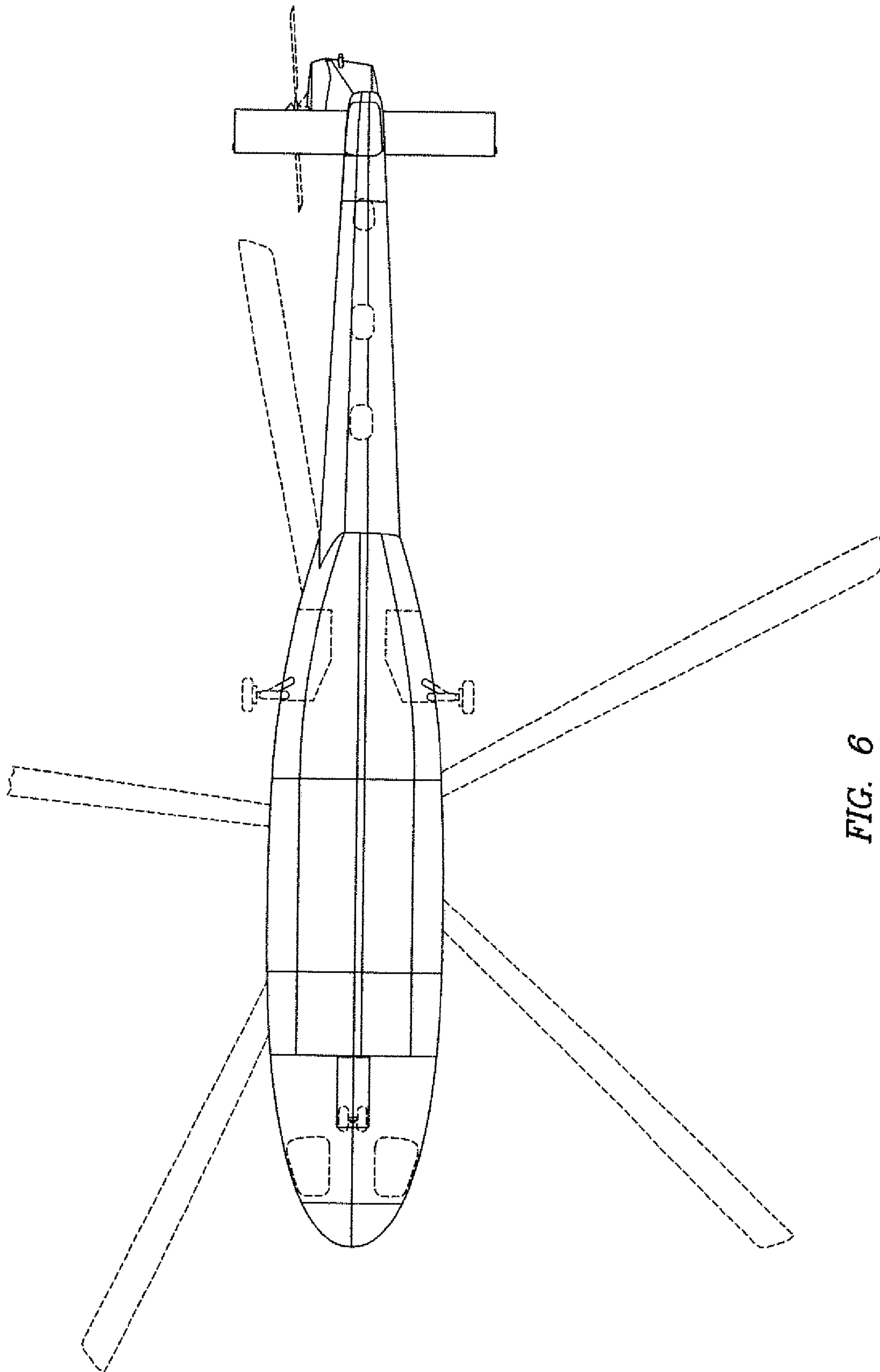


FIG. 6