



US00D687363S

(12) **United States Design Patent**
An

(10) **Patent No.:** **US D687,363 S**
(45) **Date of Patent:** **** Aug. 6, 2013**

- (54) **WIPER BLADE**
- (75) Inventor: **Jaehyuck An**, Daegu (KR)
- (73) Assignee: **KCW Corporation**, Daegu (KR)
- (**) Term: **14 Years**
- (21) Appl. No.: **29/421,675**
- (22) Filed: **Aug. 30, 2012**

D524,223 S *	7/2006	Nakano et al.	D12/219
D555,068 S *	11/2007	Kim	D12/219
D556,115 S *	11/2007	Kim	D12/219
D556,116 S *	11/2007	Kim	D12/219
D556,117 S *	11/2007	Kim	D12/219
D556,667 S *	12/2007	Kim	D12/219
D568,801 S *	5/2008	Machida et al.	D12/219
D571,705 S *	6/2008	Machida et al.	D12/219

* cited by examiner

Primary Examiner — Katrina A Betton
(74) *Attorney, Agent, or Firm* — Edwards Wildman Palmer LLP

Related U.S. Application Data

- (62) Division of application No. 29/373,957, filed on Jun. 13, 2011.
- (51) **LOC (9) Cl.** **12-06**
- (52) **U.S. Cl.**
USPC **D12/219**
- (58) **Field of Classification Search**
USPC D12/219–220; 15/246, 247, 250.001, 15/250.4, 250.361, 250.19, 250.48, 250.03, 15/250.31–250.33, 250.351, 250.38, 250.201, 15/250.451, 250.458, 250.04, 250.07, 250.44
See application file for complete search history.

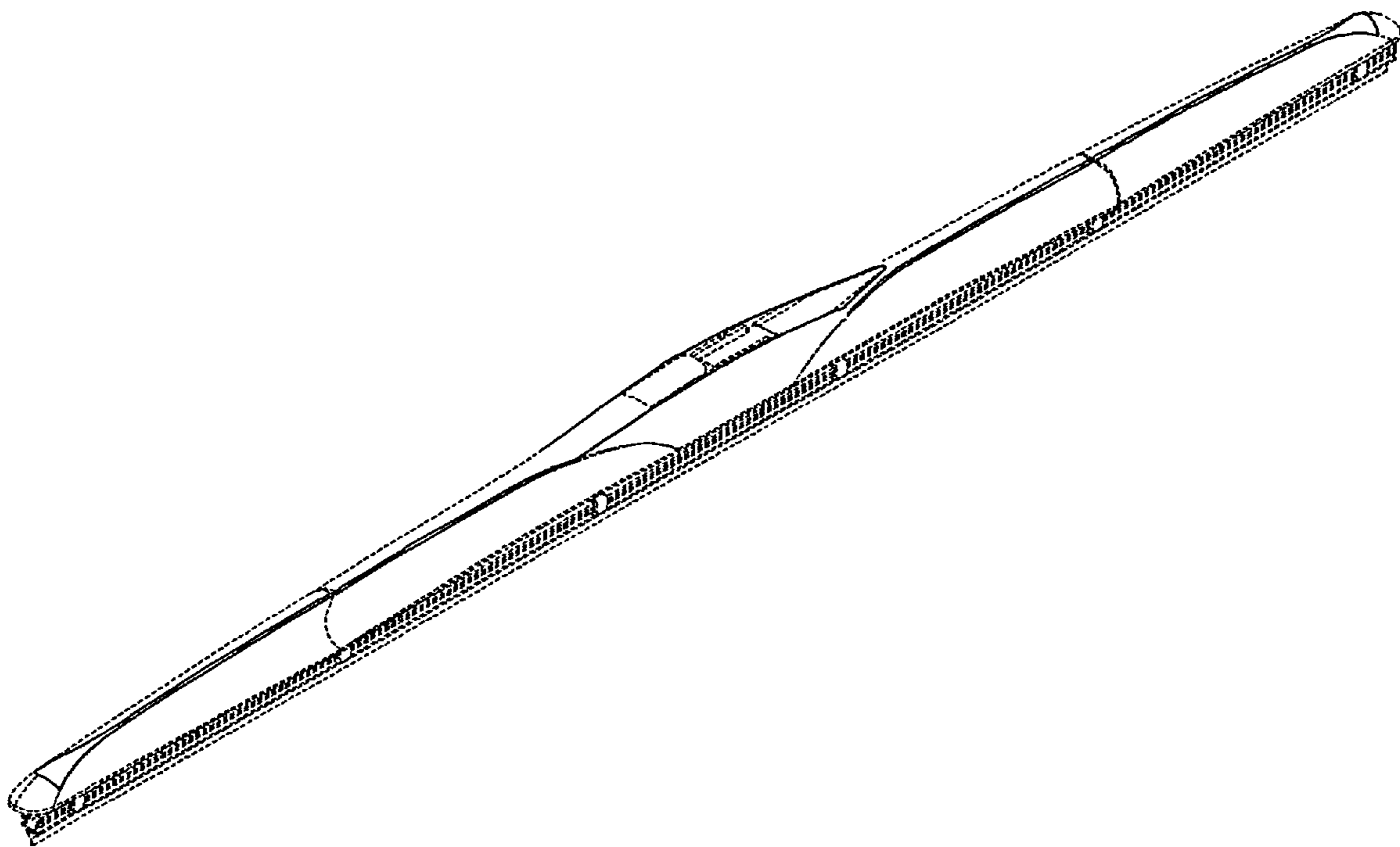
(57) **CLAIM**
The ornamental design for a wiper blade, as shown and described.

DESCRIPTION

FIG. 1 is a perspective view of a wiper blade according to the present invention.
FIG. 2 is a front view of the wiper blade of FIG. 1.
FIG. 3 is a rear view of the wiper blade of FIG. 1.
FIG. 4 is an enlarged left side view of the wiper blade of FIG. 1.
FIG. 5 is an enlarged right side view of the wiper blade of FIG. 1.
FIG. 6 is a top plan view of the wiper blade of FIG. 1; and, FIG. 7 is a bottom plan view of the wiper blade of FIG. 1.
The broken lines shown in FIGS. 1-7 form no part of the claimed design.

- (56) **References Cited**
U.S. PATENT DOCUMENTS
D443,854 S * 6/2001 De Block D12/219
D511,735 S * 11/2005 Aoyama et al. D12/219

1 Claim, 7 Drawing Sheets



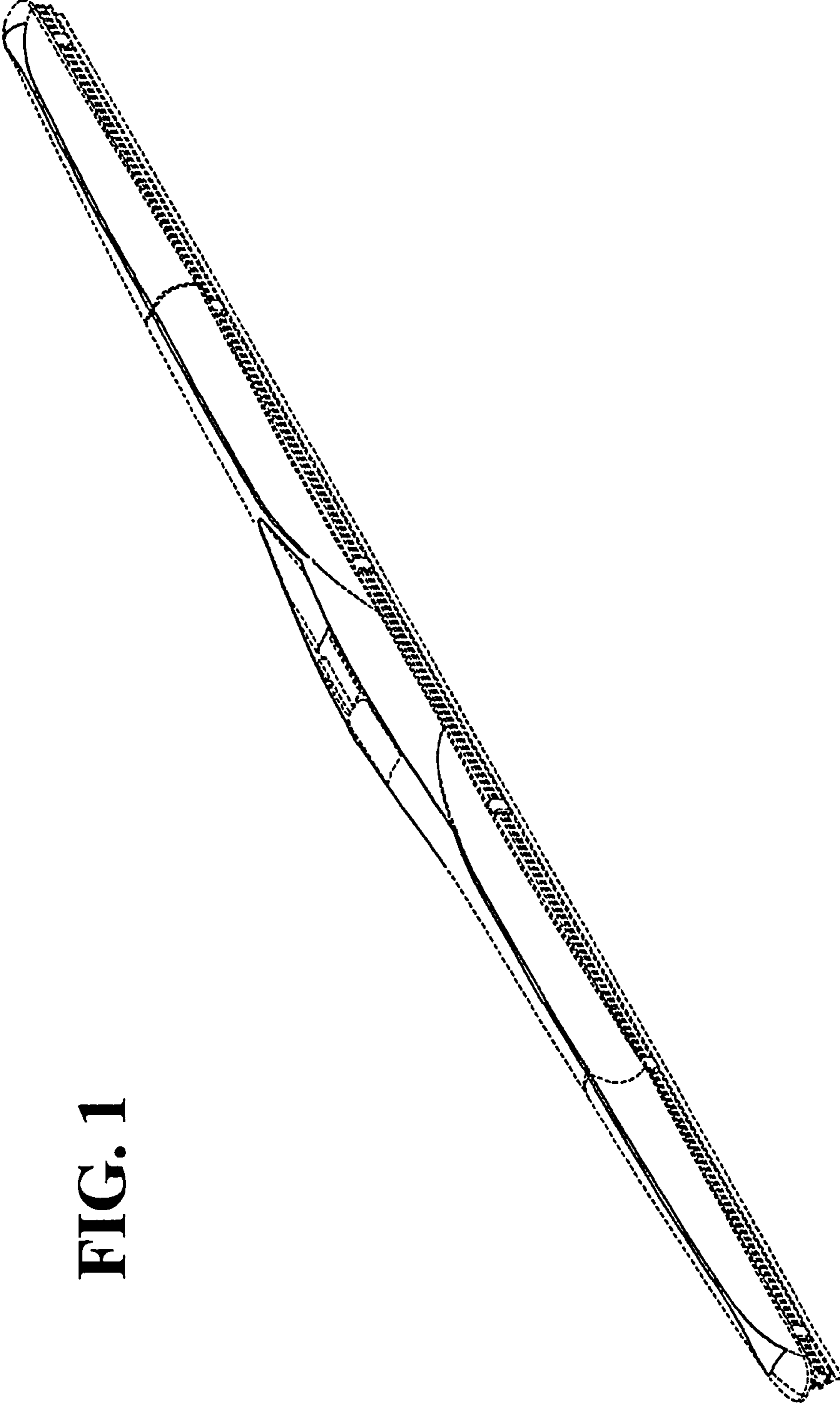


FIG. 1

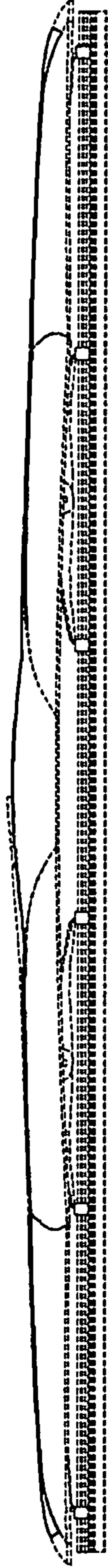


FIG. 2

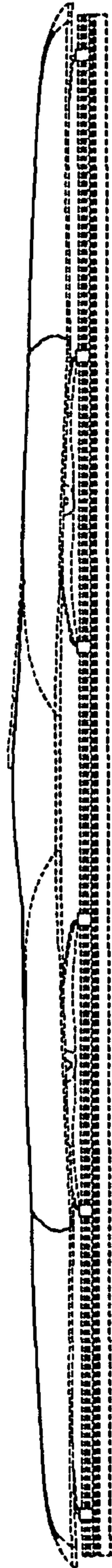


FIG. 3

FIG. 4

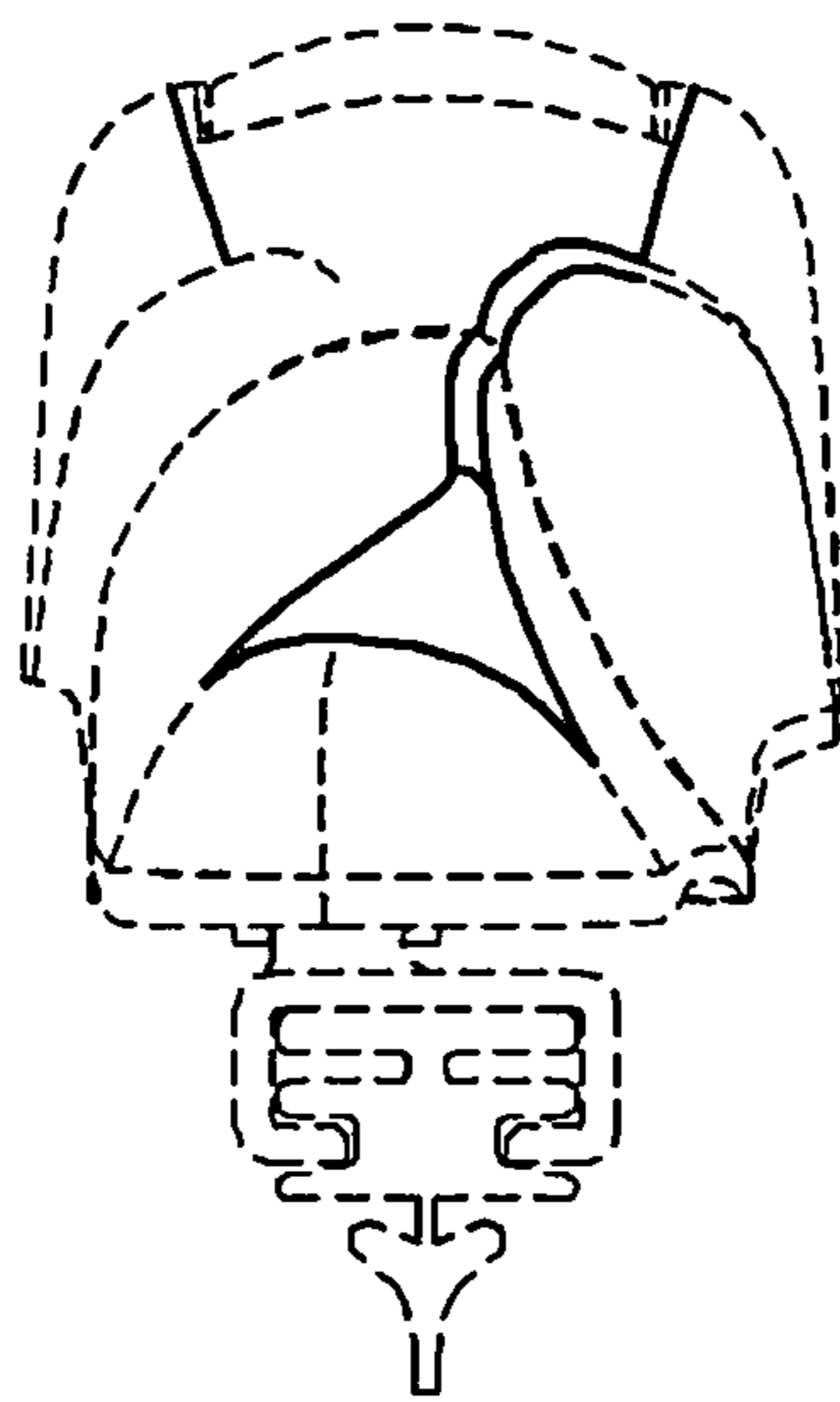


FIG. 5

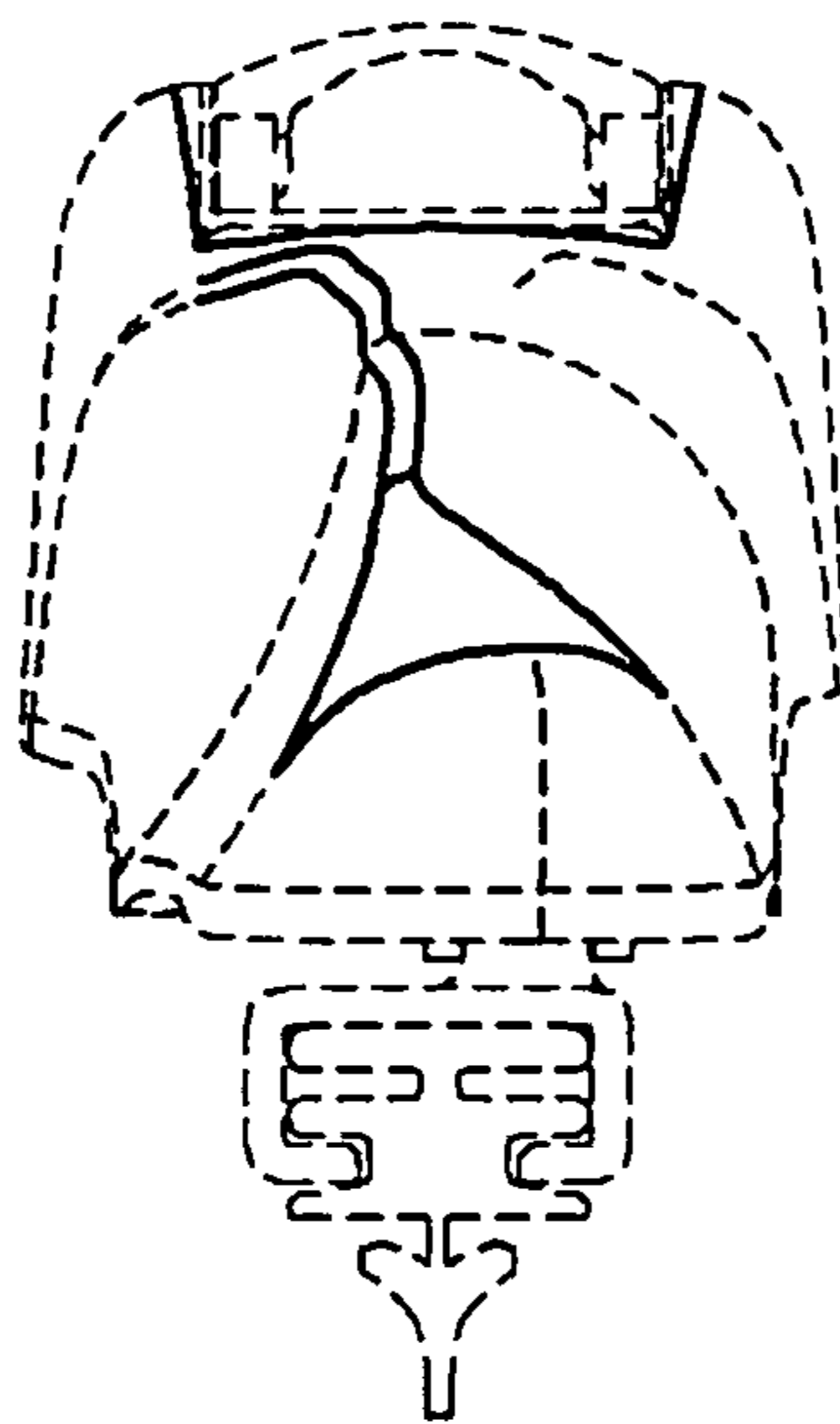




FIG. 6



FIG. 7