



US00D687358S

(12) **United States Design Patent**  
**Chiang**

(10) **Patent No.:** **US D687,358 S**

(45) **Date of Patent:** **\*\* Aug. 6, 2013**

(54) **HANDLE BAR**

(71) Applicant: **Tien Hsin Industries Co., Ltd.**,  
Taichung (TW)

(72) Inventor: **You-Rong Chiang**, Taichung (TW)

(73) Assignee: **Tien Hsin Industries Co., Ltd.**,  
Taichung (TW)

(\*\*) Term: **14 Years**

(21) Appl. No.: **29/443,103**

(22) Filed: **Jan. 14, 2013**

(51) **LOC (9) Cl.** ..... **12-11**

(52) **U.S. Cl.**  
USPC ..... **D12/178**

(58) **Field of Classification Search**  
USPC ..... D12/178, 110, 111; 180/219, 220;  
280/274-280, 281.1; 74/551.1-551.8

See application file for complete search history.

(56) **References Cited**

U.S. PATENT DOCUMENTS

D664,079 S \* 7/2012 Lujan ..... D12/178

\* cited by examiner

*Primary Examiner* — Susan M Lee

*Assistant Examiner* — Linda G Brooks

(74) *Attorney, Agent, or Firm* — Rosenberg, Klein & Lee

(57) **CLAIM**

The ornamental design for a handle bar, as shown and described.

**DESCRIPTION**

FIG. 1 is a perspective view of a handle bar showing my new design;

FIG. 2 is a front elevational view thereof;

FIG. 3 is a rear elevational view thereof;

FIG. 4 is a left side view thereof;

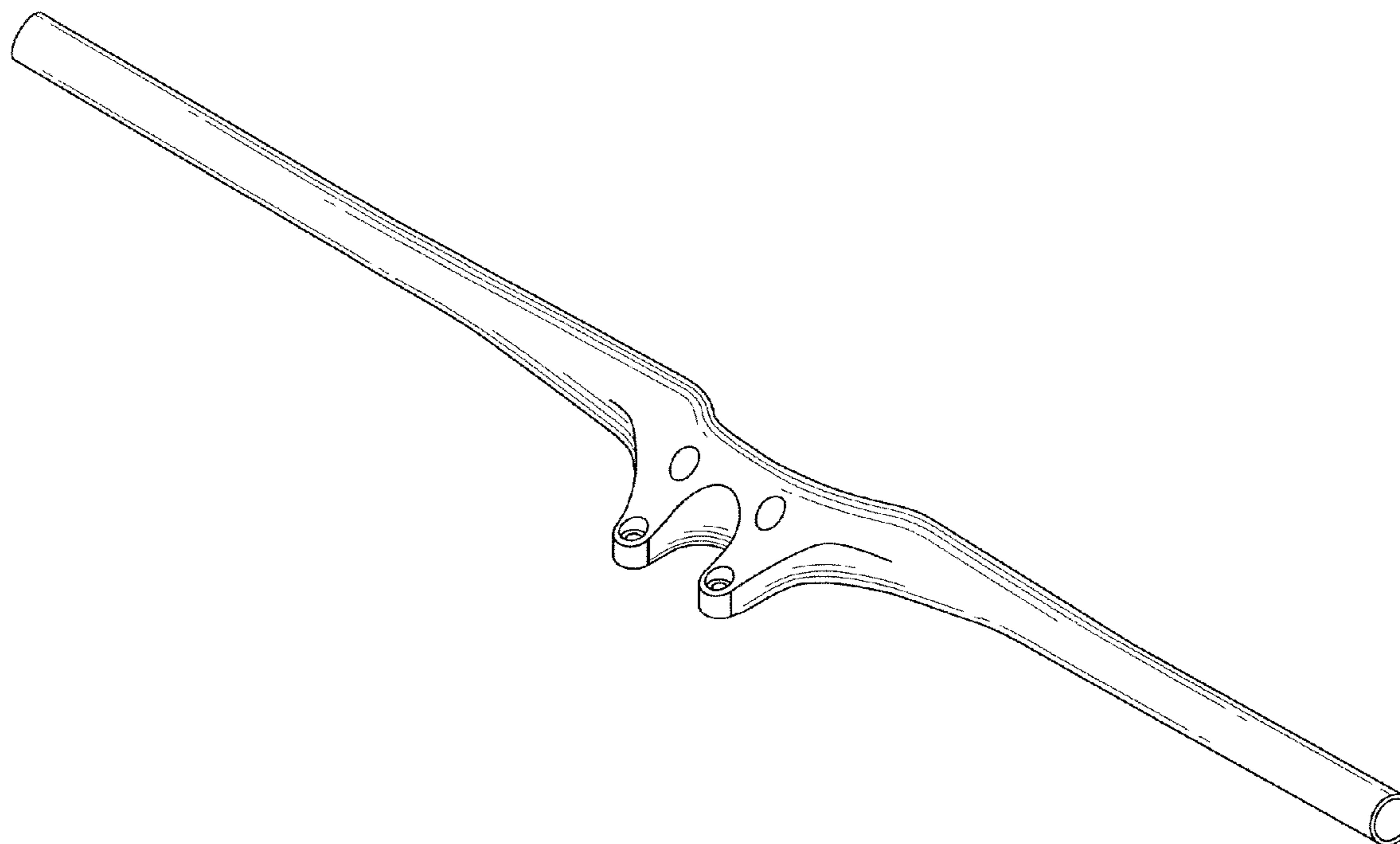
FIG. 5 is a right side view thereof;

FIG. 6 is a top plan view thereof;

FIG. 7 is a bottom plan view thereof; and,

FIG. 8 is another perspective view thereof.

**1 Claim, 7 Drawing Sheets**



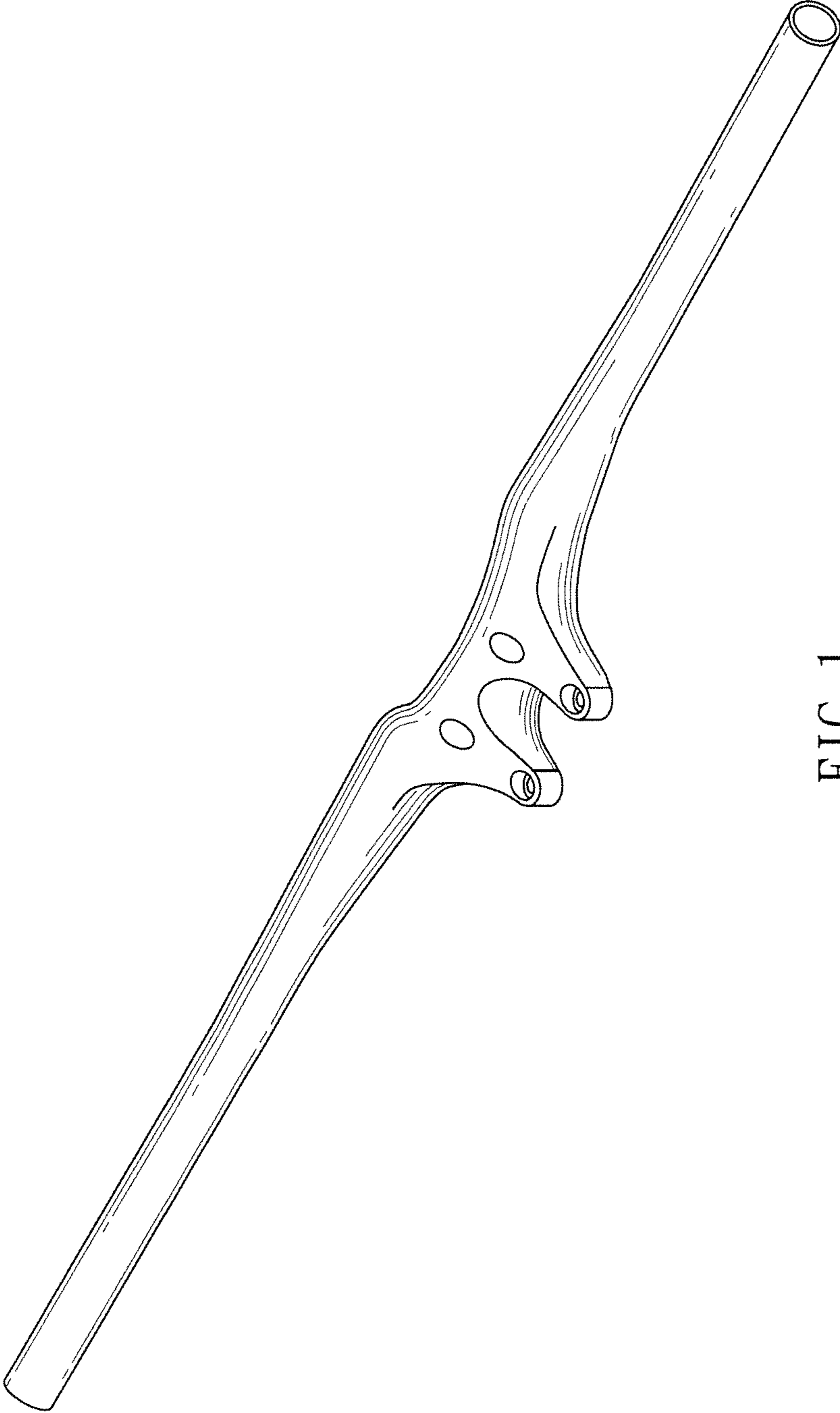


FIG. 1

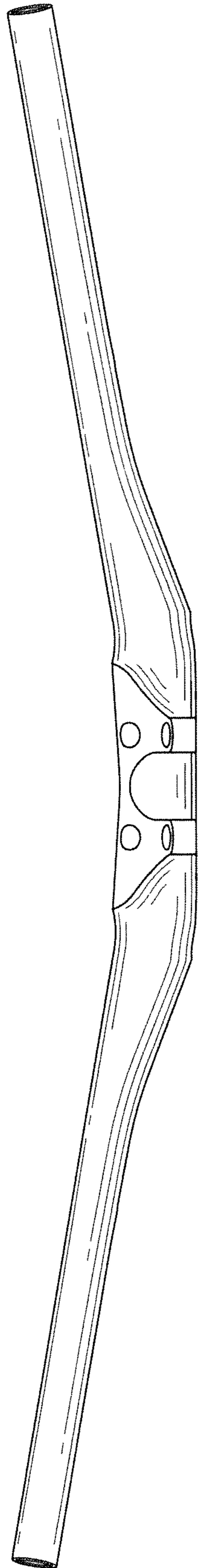


FIG. 2

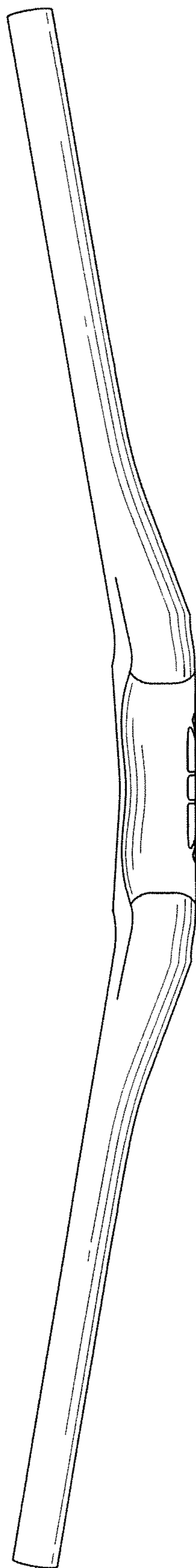


FIG. 3

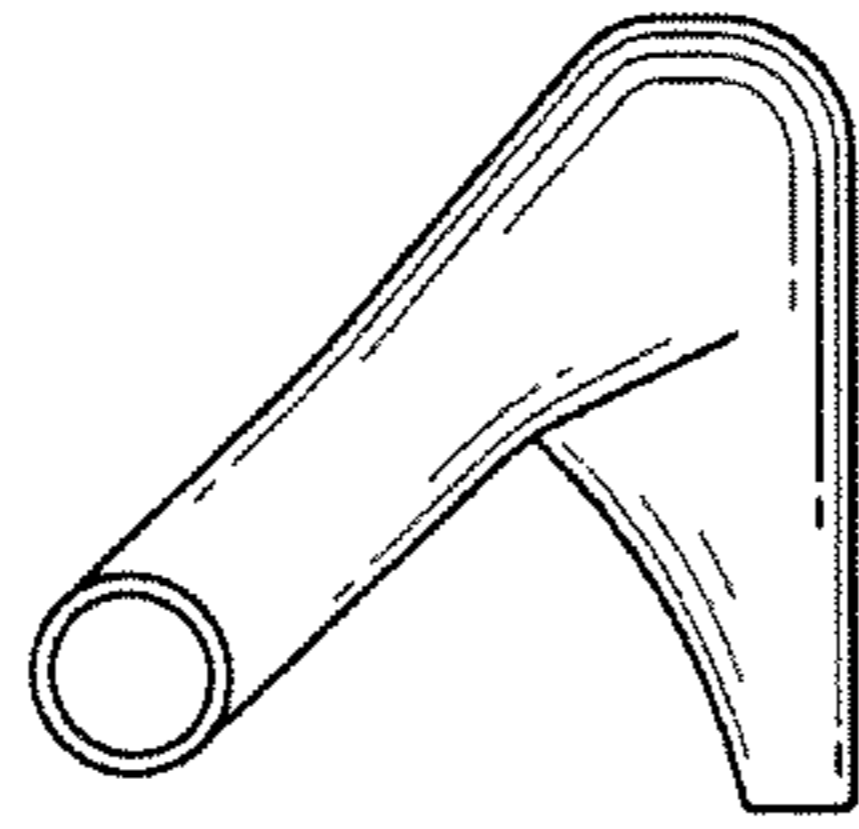


FIG. 5

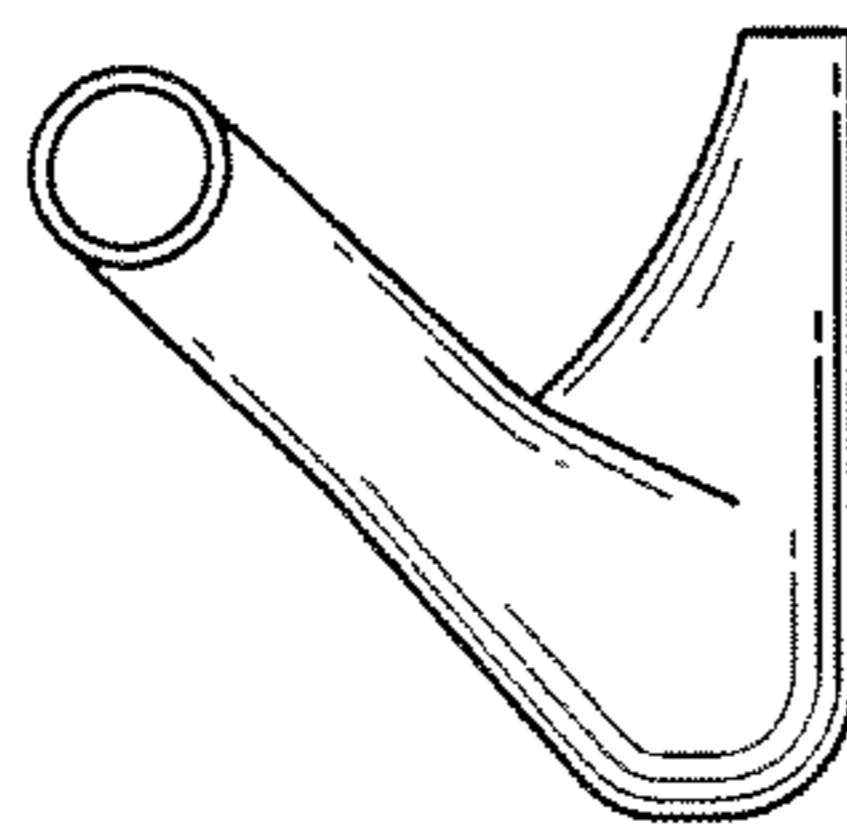


FIG. 4

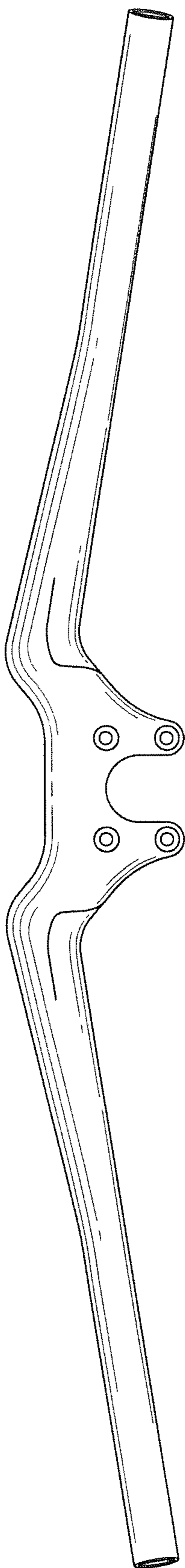


FIG. 6

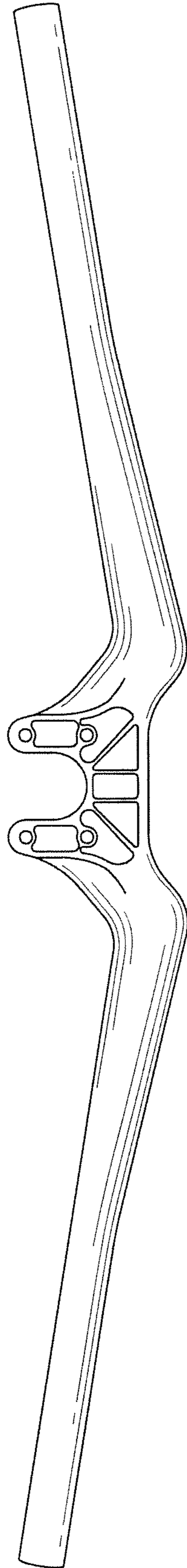


FIG. 7

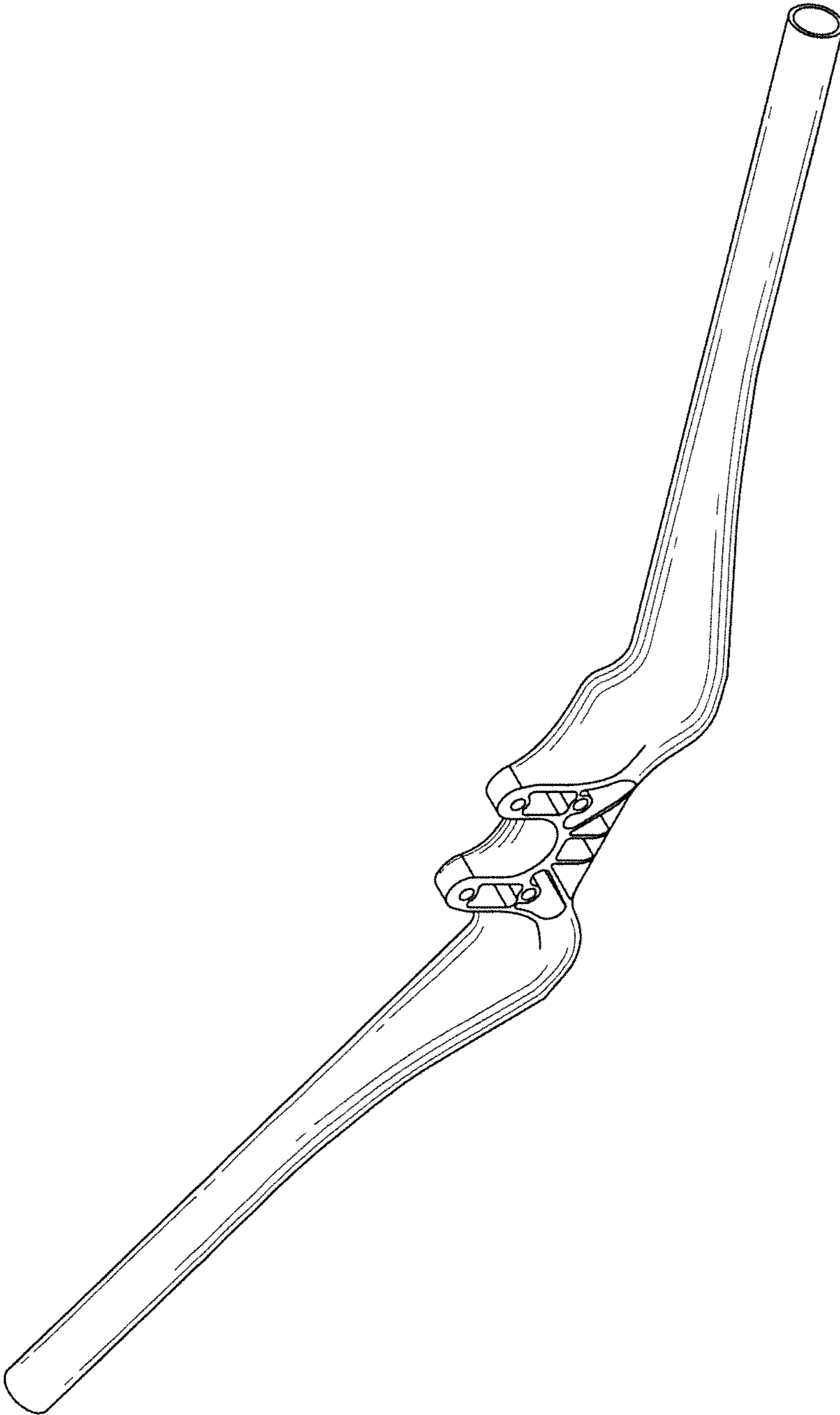


FIG. 8