



US00D687356S

(12) **United States Design Patent**  
**Weil**

(10) **Patent No.:** **US D687,356 S**

(45) **Date of Patent:** **\*\* Aug. 6, 2013**

(54) **FRONT BUMPER FOR A VEHICLE**

D638,758 S \* 5/2011 Faghihzadeh ..... D12/169  
D669,402 S \* 10/2012 Elmitt ..... D12/169  
D675,139 S \* 1/2013 Yamamoto et al. .... D12/169

(75) Inventor: **Christopher Weil**, Munich (DE)

\* cited by examiner

(73) Assignee: **Bayerische Motoren Werke Aktiengesellschaft**, Munich (DE)

*Primary Examiner* — Melody Brown

(\*\*) Term: **14 Years**

(74) *Attorney, Agent, or Firm* — Crowell & Moring LLP

(21) Appl. No.: **29/412,811**

(57) **CLAIM**

The ornamental design for a front bumper for a vehicle, as shown and described.

(22) Filed: **Feb. 8, 2012**

**DESCRIPTION**

(30) **Foreign Application Priority Data**

Aug. 9, 2011 (DE) ..... 402011003968

This application contains subject matter related to the following co-pending U.S. design patent applications:

(51) **LOC (9) Cl.** ..... **12-16**

Application Ser. No. 29/412,809, filed herewith and entitled

(52) **U.S. Cl.**  
USPC ..... **D12/169**

“Vehicle, Toy, and/or Replicas Thereof”; and

(58) **Field of Classification Search**  
USPC ..... D12/169, 196, 171, 216, 163, 86,  
D12/90-92; 293/102, 113, 115, 117, 120;  
296/180.1, 180.2

Application Ser. No. 29/412,814, filed herewith and entitled

“Vehicle, Toy, and/or Replicas Thereof”.  
FIG. 1 is a left perspective view of a front bumper for a vehicle according to my design;

See application file for complete search history.

FIG. 2 is a right perspective view thereof;

FIG. 3 is a front view thereof;

FIG. 4 is a left side view thereof;

FIG. 5 is a right side view thereof;

FIG. 6 is a top view thereof; and

FIG. 7 is a bottom view thereof.

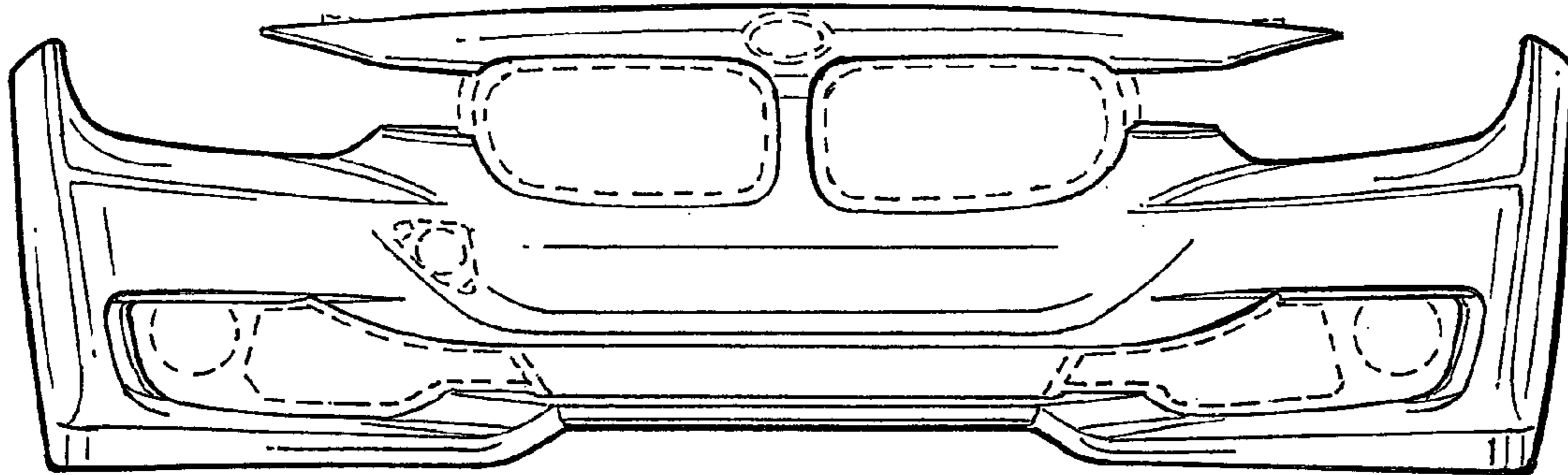
(56) **References Cited**

**U.S. PATENT DOCUMENTS**

D570,261 S \* 6/2008 Baum ..... D12/169  
D606,465 S \* 12/2009 Weil ..... D12/169  
D620,843 S \* 8/2010 Froehlich ..... D12/92  
D637,124 S \* 5/2011 Faghihzadeh ..... D12/169

The broken lines are for illustrative purposes only and form no part of the claimed design.

**1 Claim, 3 Drawing Sheets**



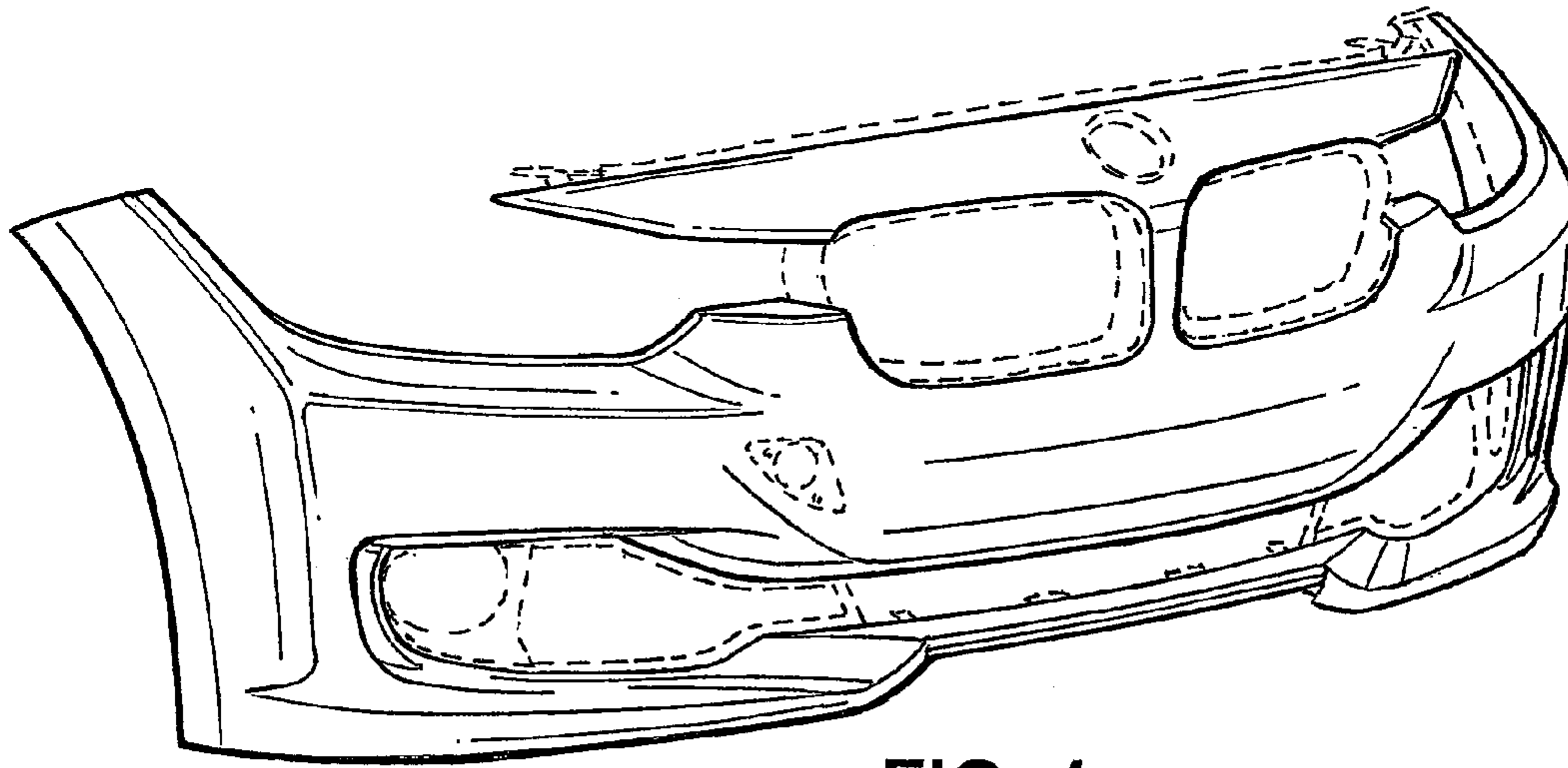


FIG. 1

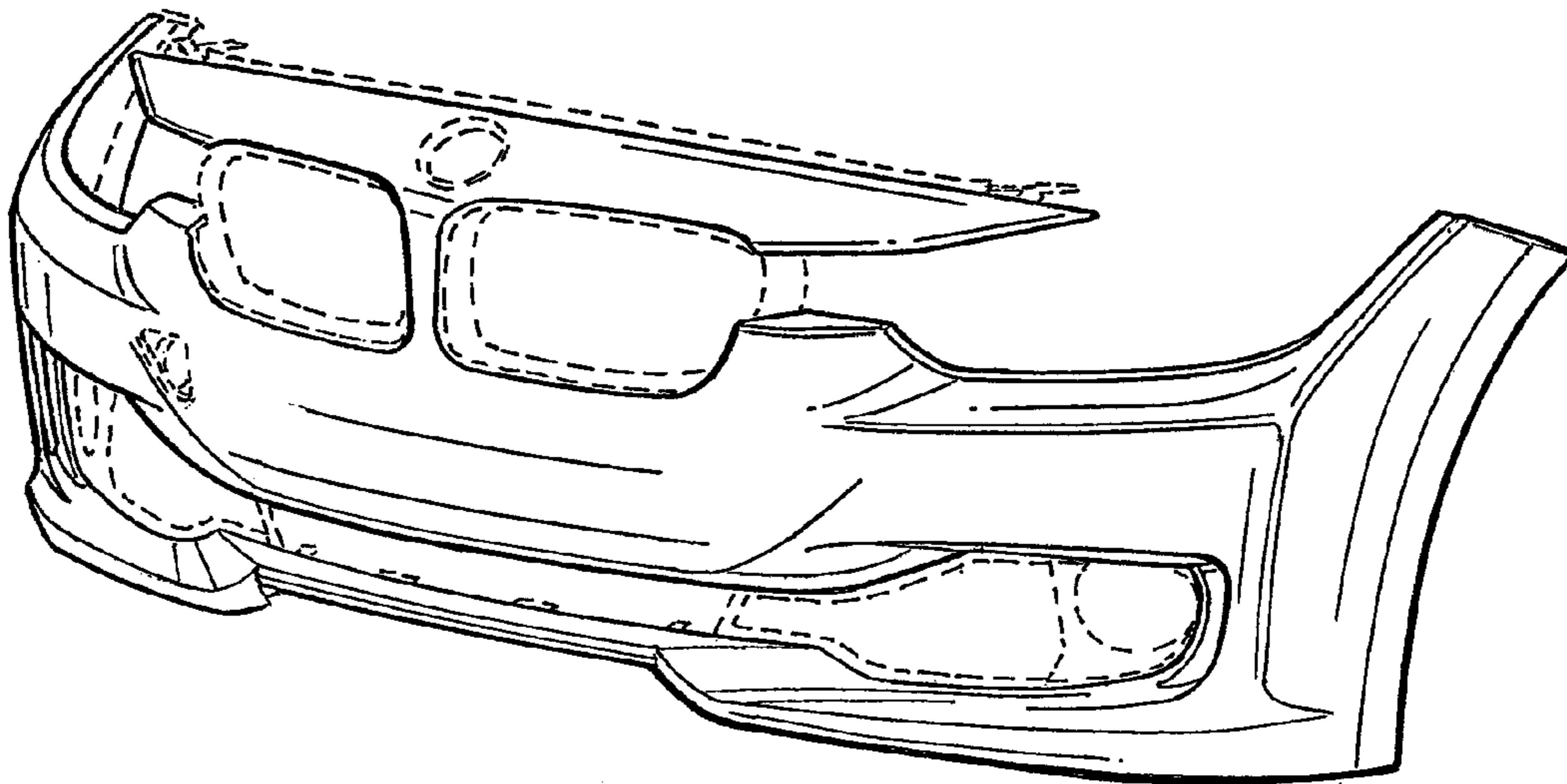


FIG. 2

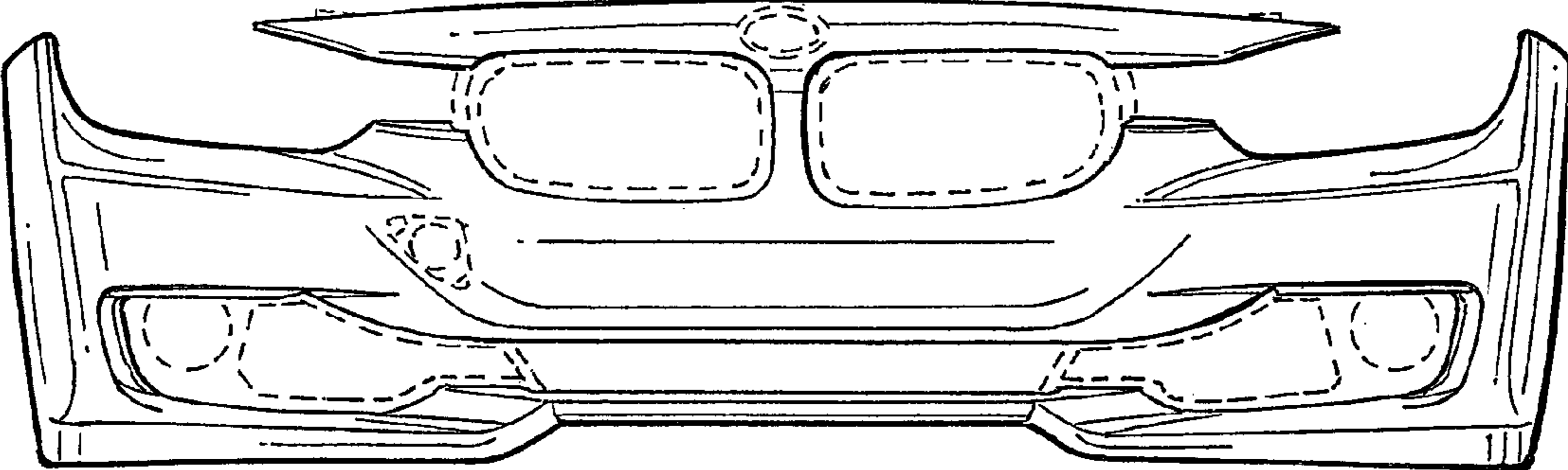


FIG. 3

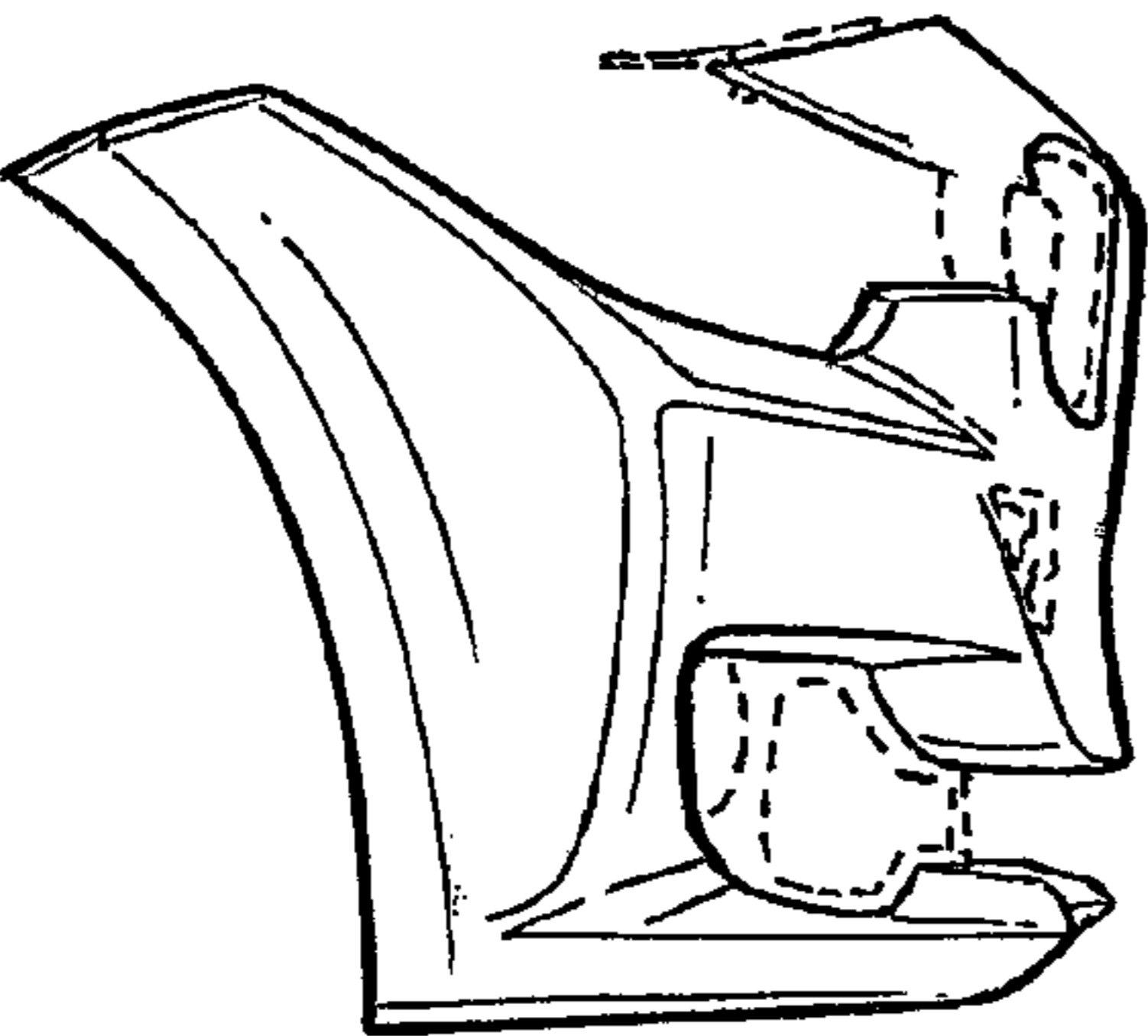


FIG. 4

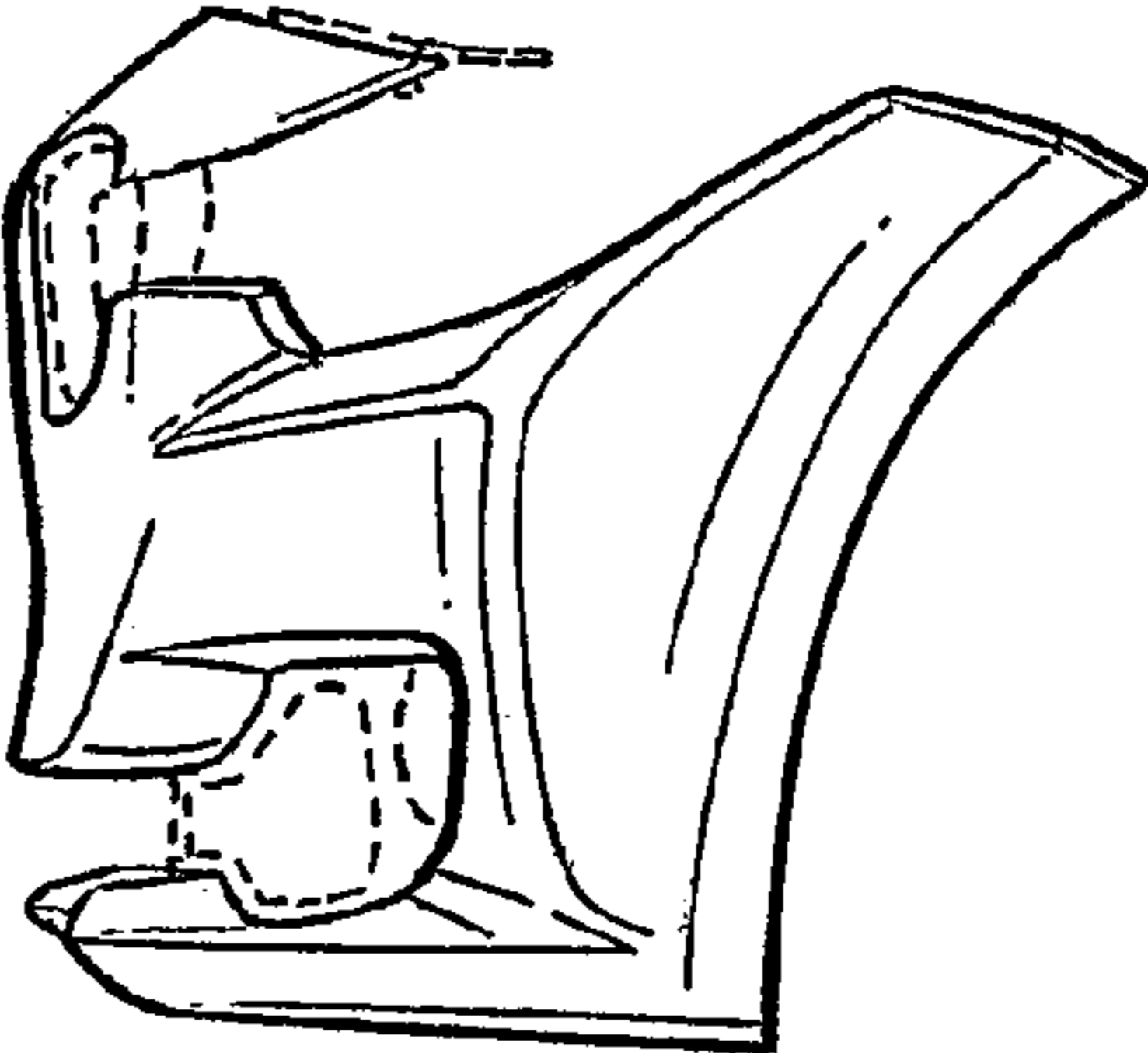


FIG. 5

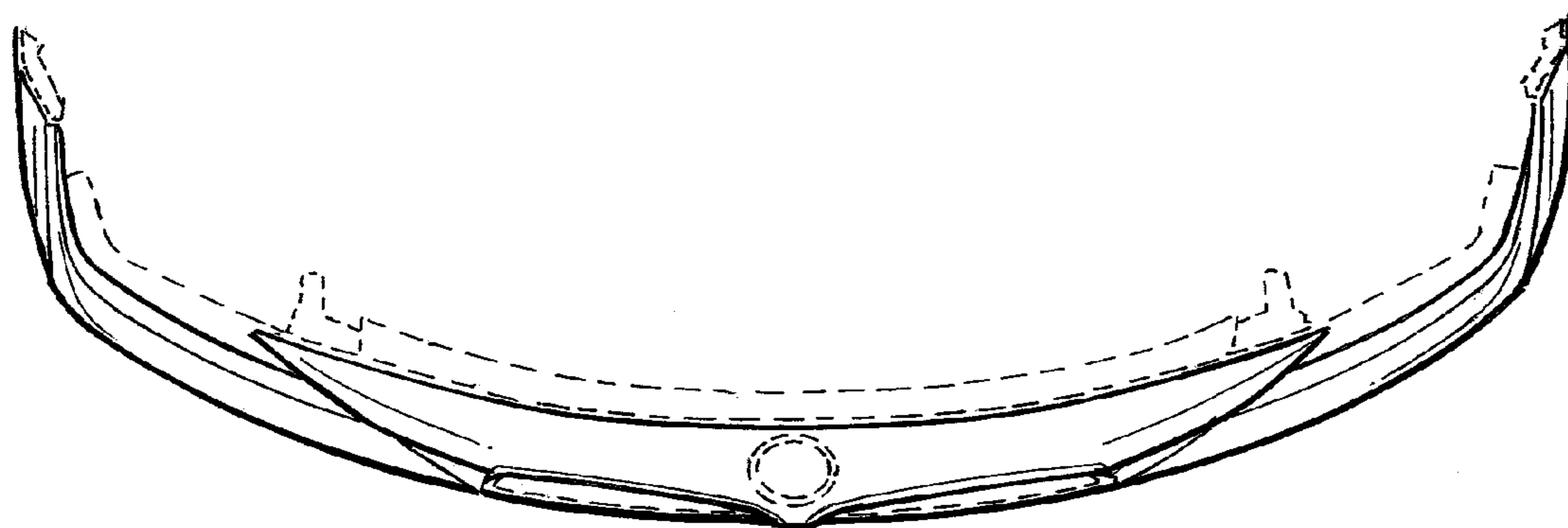


FIG. 6

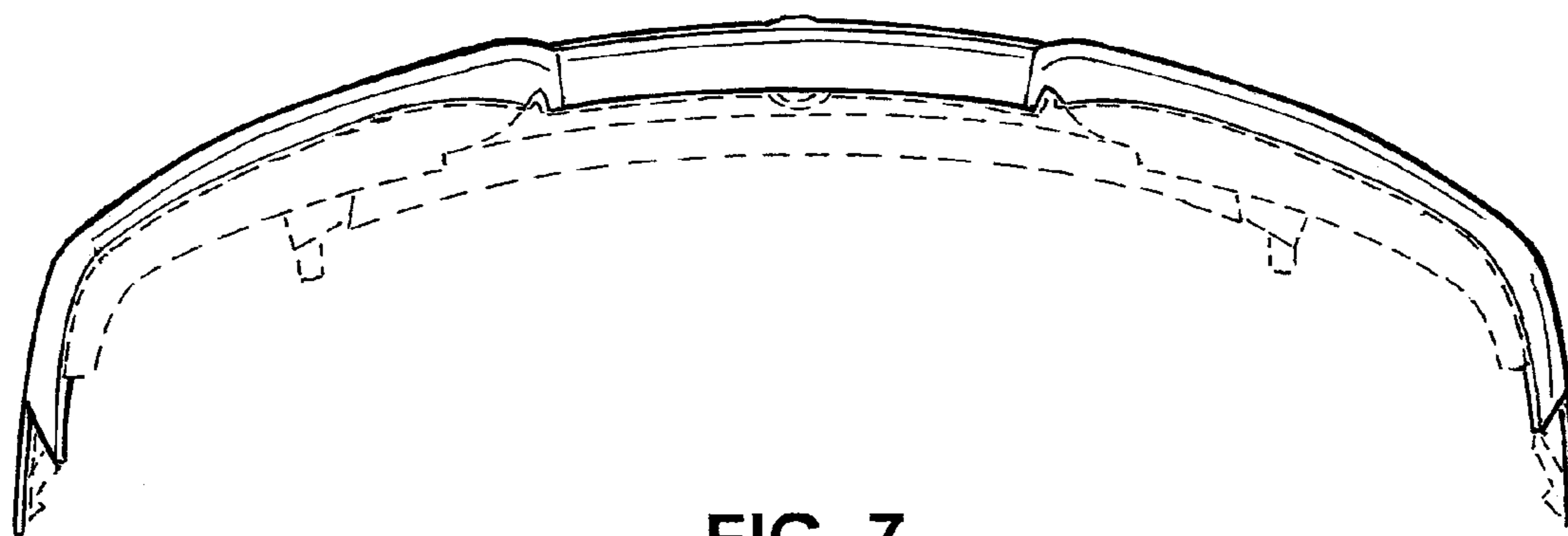


FIG. 7