



US00D687354S

(12) **United States Design Patent**
Hildebrand et al.

(10) **Patent No.:** **US D687,354 S**

(45) **Date of Patent:** **** Aug. 6, 2013**

(54) **VEHICLE GRILL**

(75) Inventors: **Gert Volker Hildebrand**, Munich (DE);
Philipp Eberl, Graz (AT)

(73) Assignee: **Qoros Automotive Co., Ltd.**, Changshu,
Jiangsu Province (CN)

(**) Term: **14 Years**

(21) Appl. No.: **29/419,629**

(22) Filed: **Apr. 30, 2012**

(30) **Foreign Application Priority Data**

Nov. 3, 2011 (CN) 2011 3 0420738

(51) **LOC (9) Cl.** **12-16**

(52) **U.S. Cl.**
USPC **D12/163**

(58) **Field of Classification Search**
USPC D12/163, 196, 171, 169, 216, 90-92,
D12/86; 180/68.1, 68.6; 296/193.11

See application file for complete search history.

(56) **References Cited**

U.S. PATENT DOCUMENTS

D600,170	S	*	9/2009	Endoh	D12/163
D610,495	S	*	2/2010	Bucher et al.	D12/163
D637,532	S	*	5/2011	Miyazawa	D12/163
D647,003	S	*	10/2011	Kim	D12/91
D651,142	S	*	12/2011	Fushimi	D12/163

* cited by examiner

Primary Examiner — Melody Brown

(57) **CLAIM**

The ornamental design for a vehicle grill, as shown and described.

DESCRIPTION

FIG. 1 is a front view of a vehicle grill.
FIG. 2 is a rear view of the vehicle grill of FIG. 1.
FIG. 3 is a left side view of the vehicle grill of FIG. 1.
FIG. 4 is a right side view of the vehicle grill of FIG. 1.
FIG. 5 is a top view of the vehicle grill of FIG. 1.
FIG. 6 is a bottom view of the vehicle grill of FIG. 1.
FIG. 7 is a right front perspective view of the vehicle grill of FIG. 1; and,
FIG. 8 is a left front perspective view of the vehicle grill of FIG. 1.

1 Claim, 4 Drawing Sheets



FIG. 1

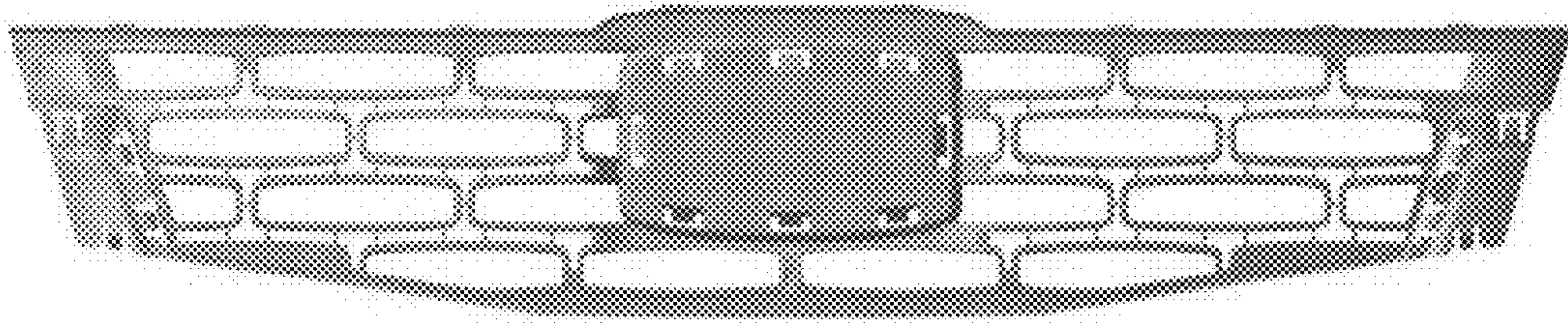


FIG. 2

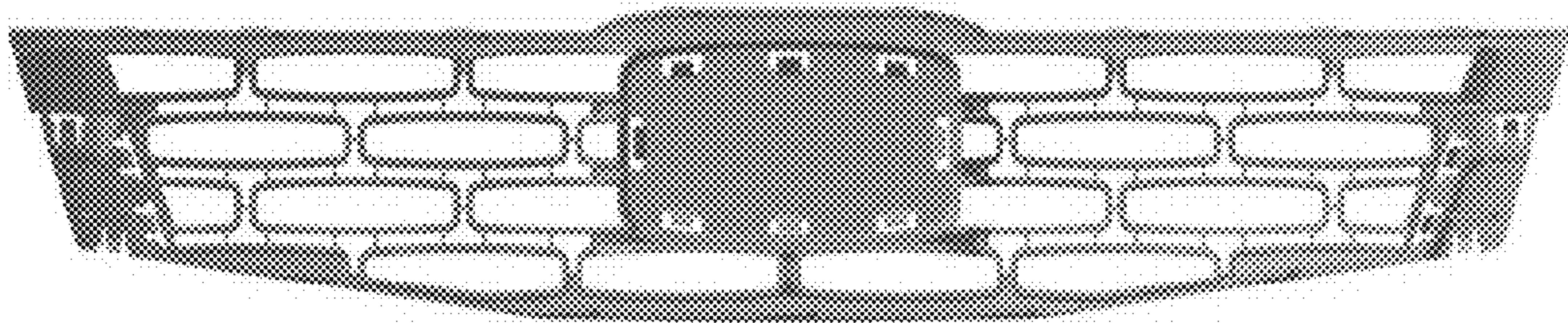


FIG. 3

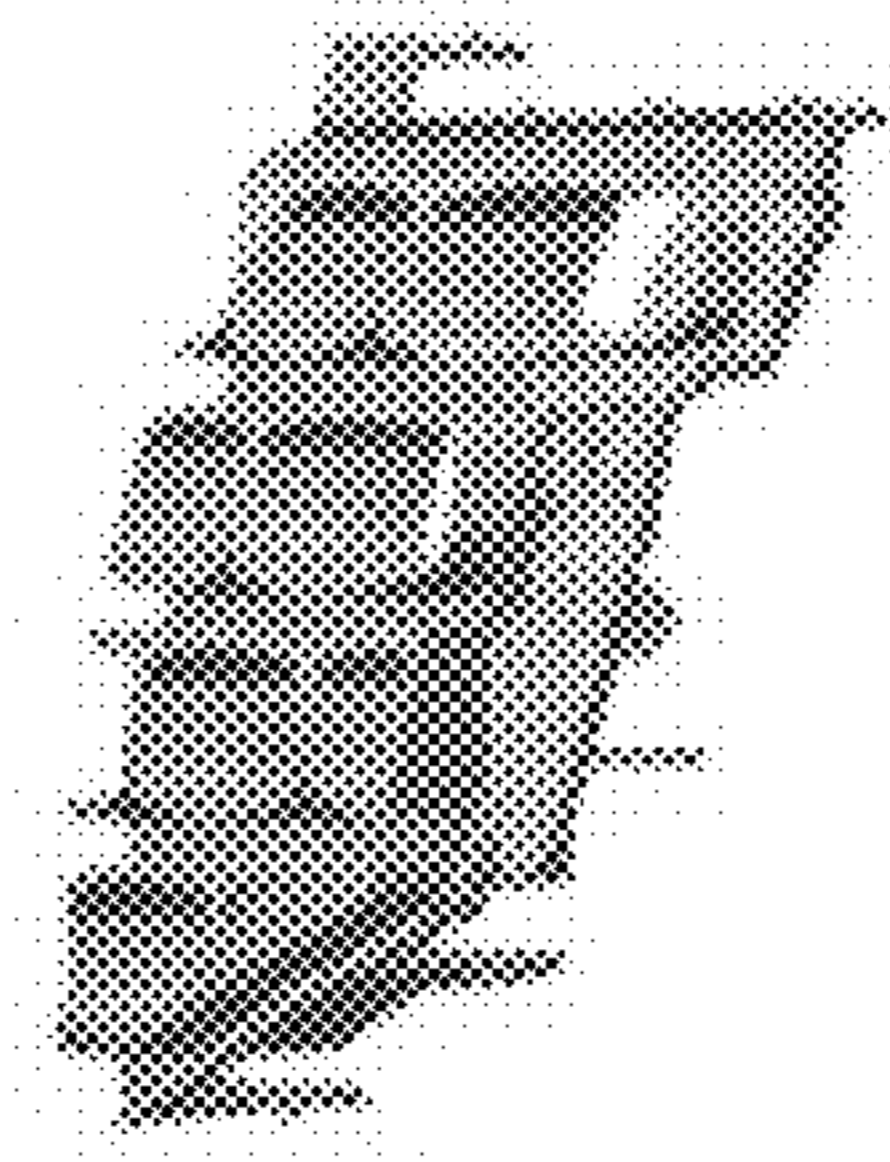


FIG. 4



FIG. 5

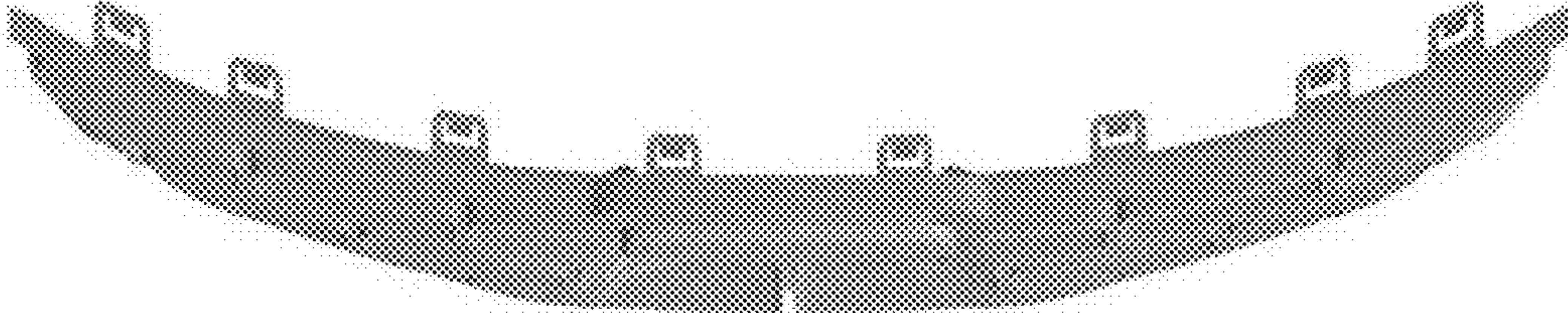


FIG. 6

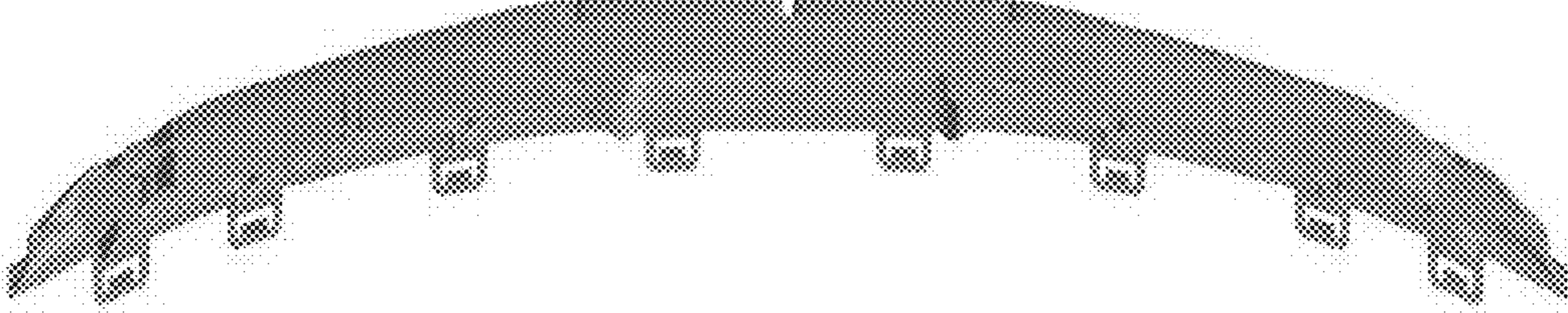


FIG. 7

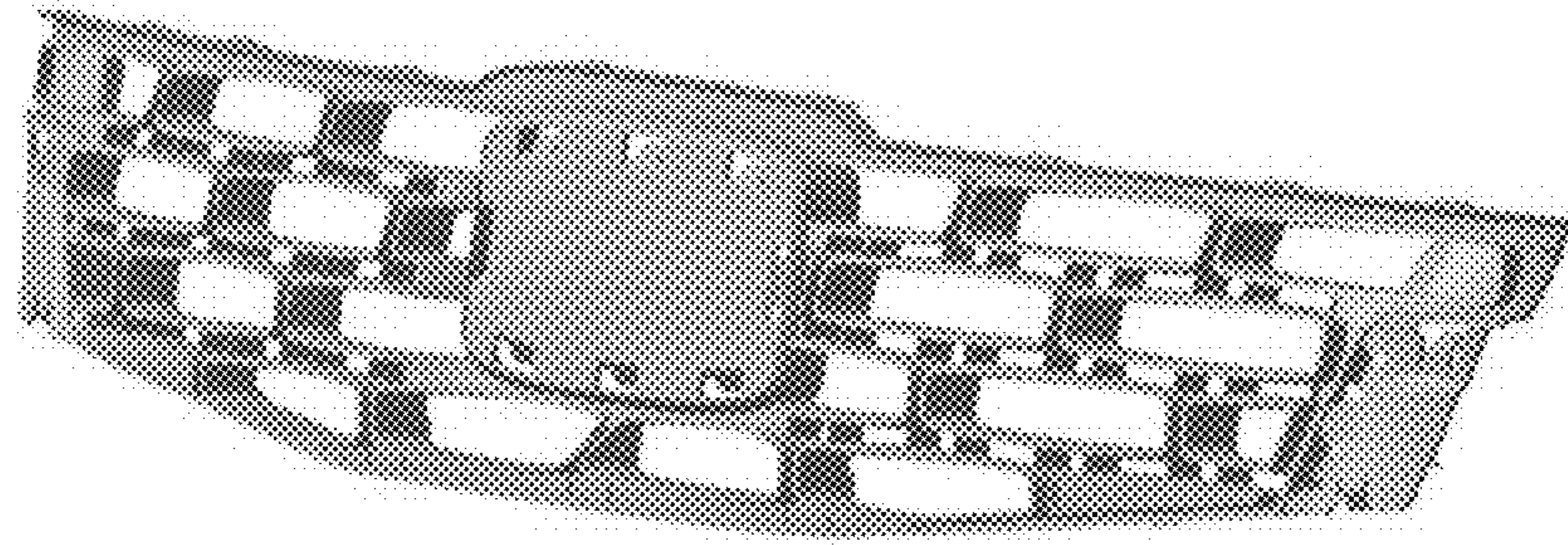


FIG. 8

