



US00D687352S

(12) **United States Design Patent**
Shellenberger et al.

(10) **Patent No.:** **US D687,352 S**
(45) **Date of Patent:** **** Aug. 6, 2013**

- (54) **FOLDING JOG STROLLER**
- (71) Applicants: **Mitchell L. Shellenberger**, Mount Joy, PA (US); **Fabio Rezzonico**, Como (IT)
- (72) Inventors: **Mitchell L. Shellenberger**, Mount Joy, PA (US); **Fabio Rezzonico**, Como (IT)
- (73) Assignee: **Artsana USA**, Lancaster, PA (US)
- (**) Term: **14 Years**
- (21) Appl. No.: **29/439,262**
- (22) Filed: **Dec. 7, 2012**
- (51) **LOC (9) Cl.** **12-12**
- (52) **U.S. Cl.**
USPC **D12/129**
- (58) **Field of Classification Search**
USPC D12/128-133; D21/433; D34/12, D34/27, 30; 280/62, 647-650, 29, 200, 47.38, 280/250.1, 259, 642, 658; 296/65.03, 65.04; 297/DIG. 4; 135/65-67, 74
See application file for complete search history.

D506,417 S *	6/2005	Liao	D12/129
D519,422 S *	4/2006	Huang	D12/129
7,021,651 B2 *	4/2006	Lan	280/642
D528,048 S *	9/2006	Lin et al.	D12/129
D529,844 S *	10/2006	Chen et al.	D12/129
D558,099 S	12/2007	Yang	
D578,936 S	10/2008	Chen	
D614,540 S *	4/2010	Andrews et al.	D12/129
D616,340 S *	5/2010	Wu	D12/129
D661,625 S	6/2012	Stopp	

* cited by examiner

Primary Examiner — Ian Simmons

Assistant Examiner — Charles Hanson

(74) *Attorney, Agent, or Firm* — Andrew D. Mead

(57) **CLAIM**

The ornamental design for a folding jog stroller, as shown and described.

DESCRIPTION

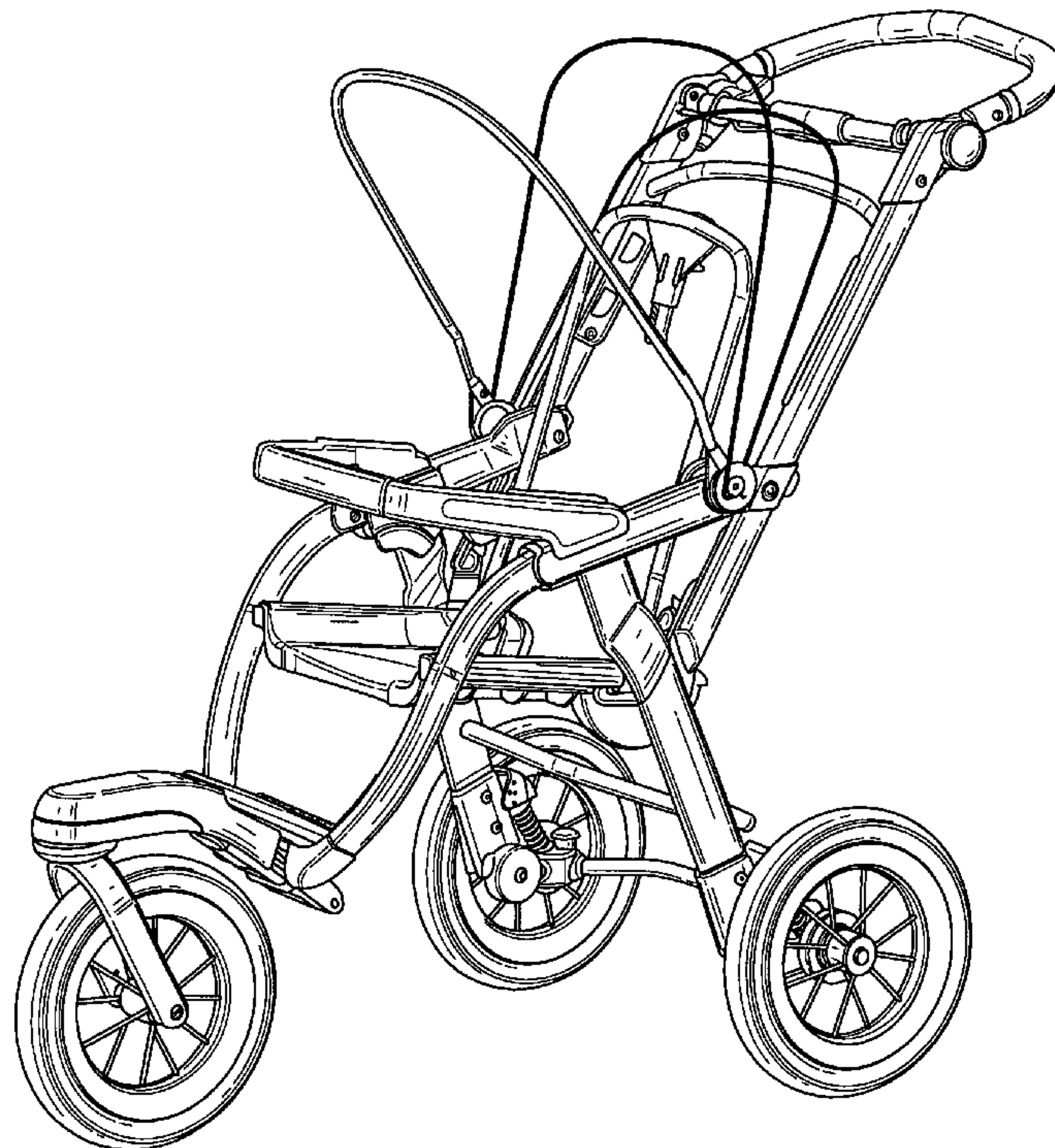
FIG. 1 is a forward perspective view of the folding jog stroller embodying the new design;
 FIG. 2 is a forward elevation view thereof;
 FIG. 3 is a right side elevation view of the folding jog stroller design;
 FIG. 4 is a left side elevation view thereof;
 FIG. 5 is a rear elevation view thereof;
 FIG. 6 is a top plan view of the folding jog stroller; and,
 FIG. 7 is a forward perspective view of the folding jog stroller. The broken line showing of the soft goods is included for the purpose of illustrating environment and forms no part of the claimed design.

1 Claim, 7 Drawing Sheets

(56) **References Cited**

U.S. PATENT DOCUMENTS

5,669,624 A *	9/1997	Eichhorn	280/642
6,102,431 A	8/2000	Sutherland et al.	
D442,895 S *	5/2001	Chiu	D12/129
D444,738 S *	7/2001	Lan	D12/129
6,671,926 B2 *	1/2004	Huang	16/35 R
6,893,040 B2 *	5/2005	Hou et al.	280/642



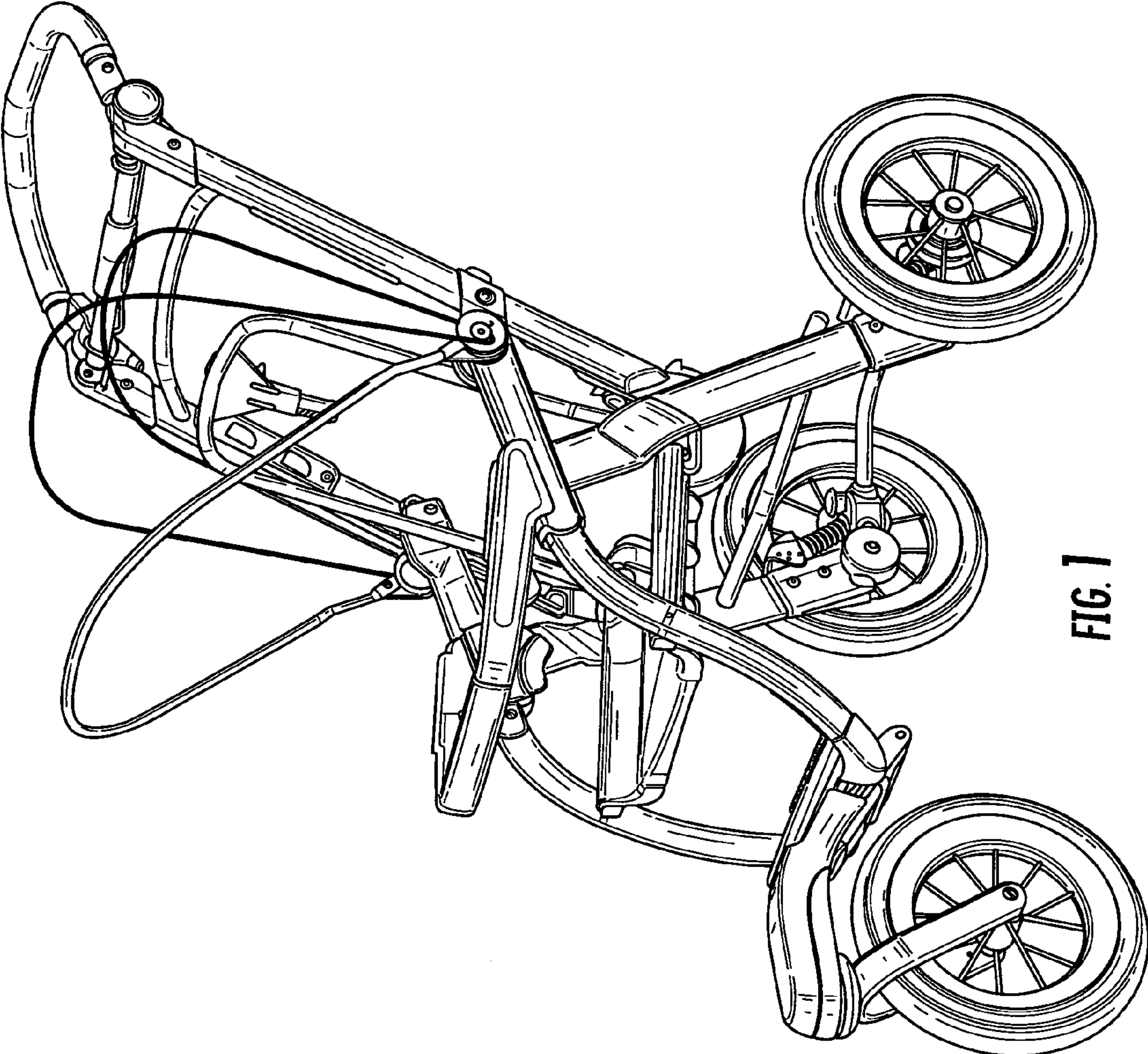


FIG. 1

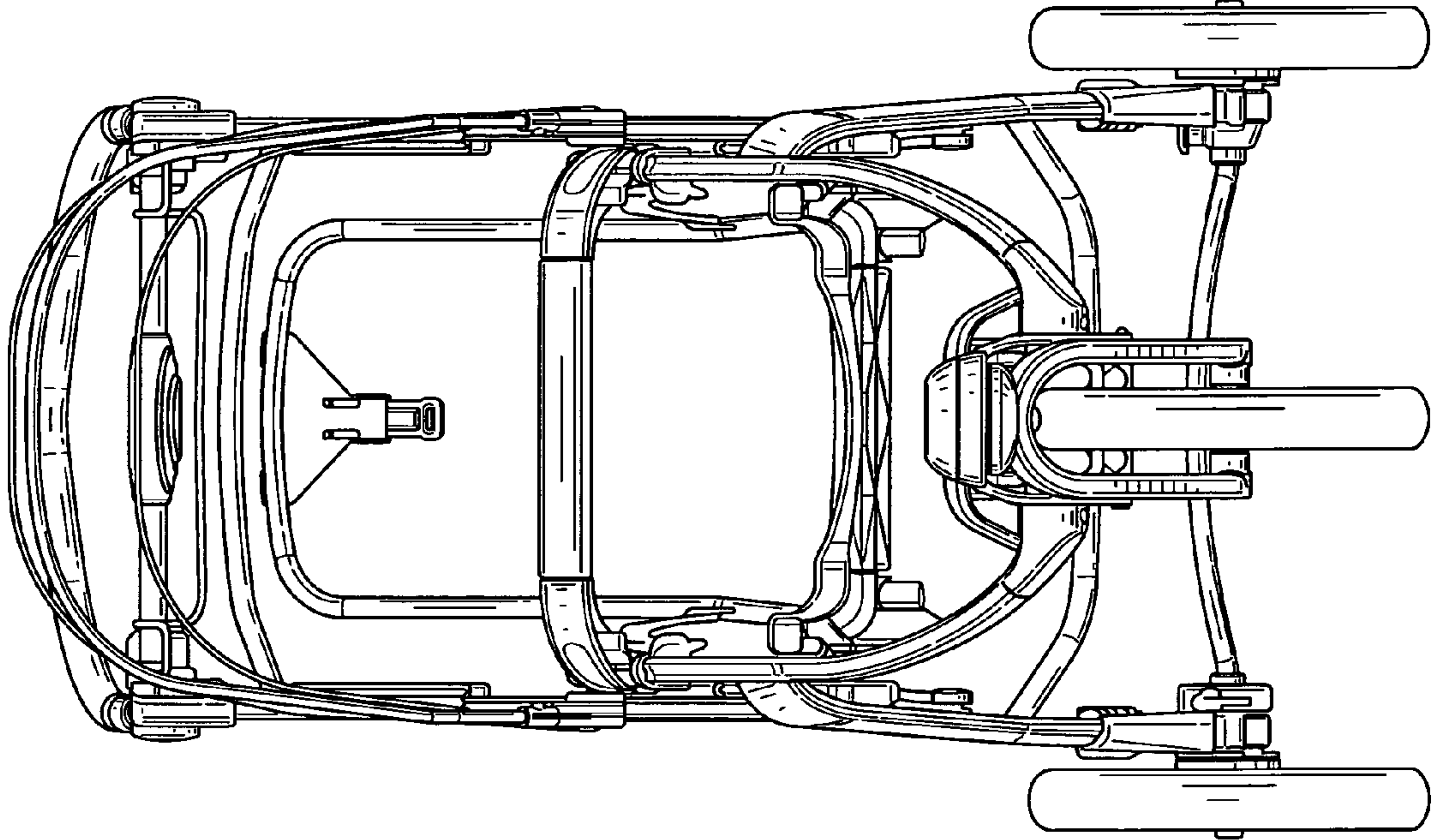


FIG. 2

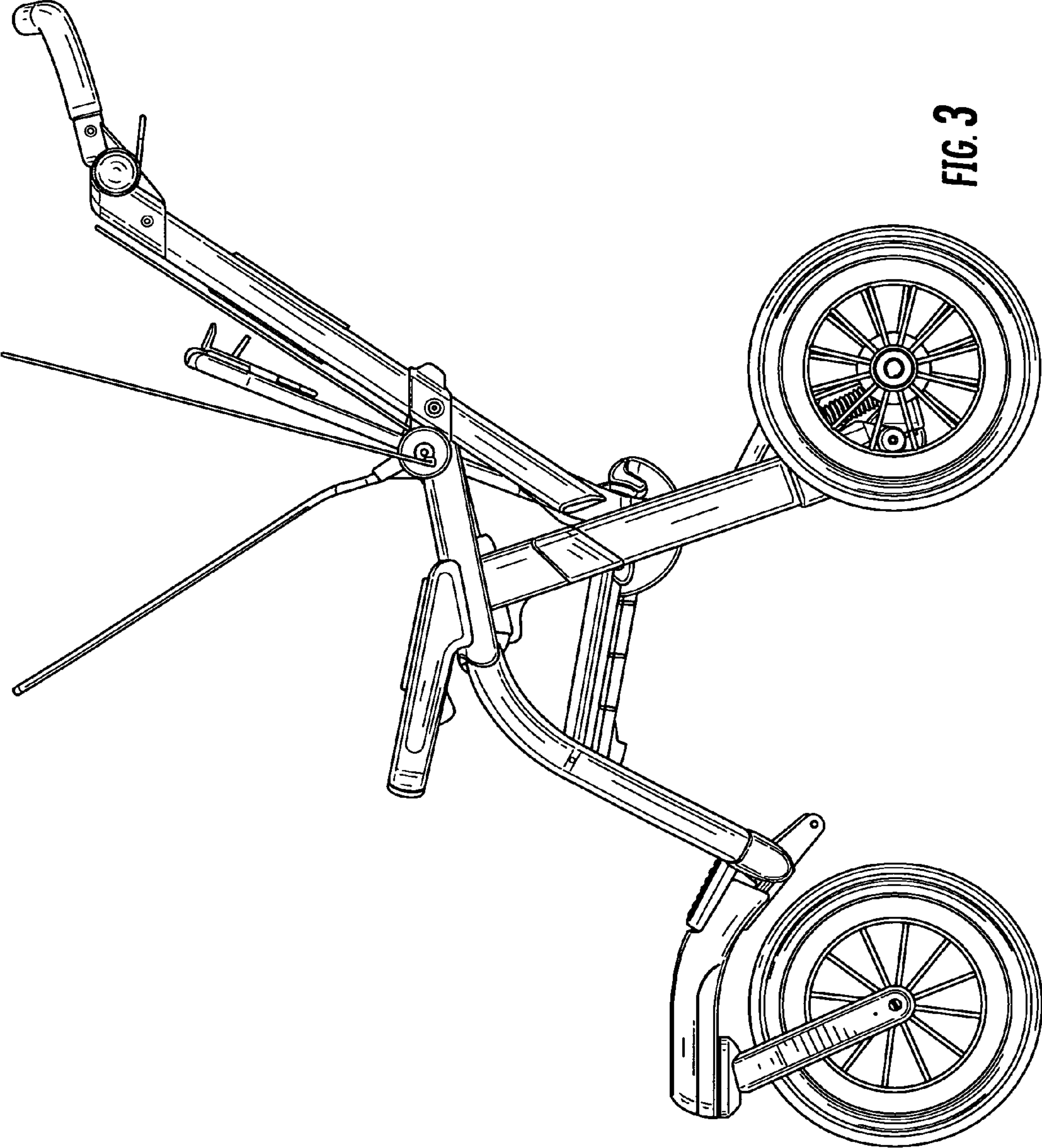


FIG. 3

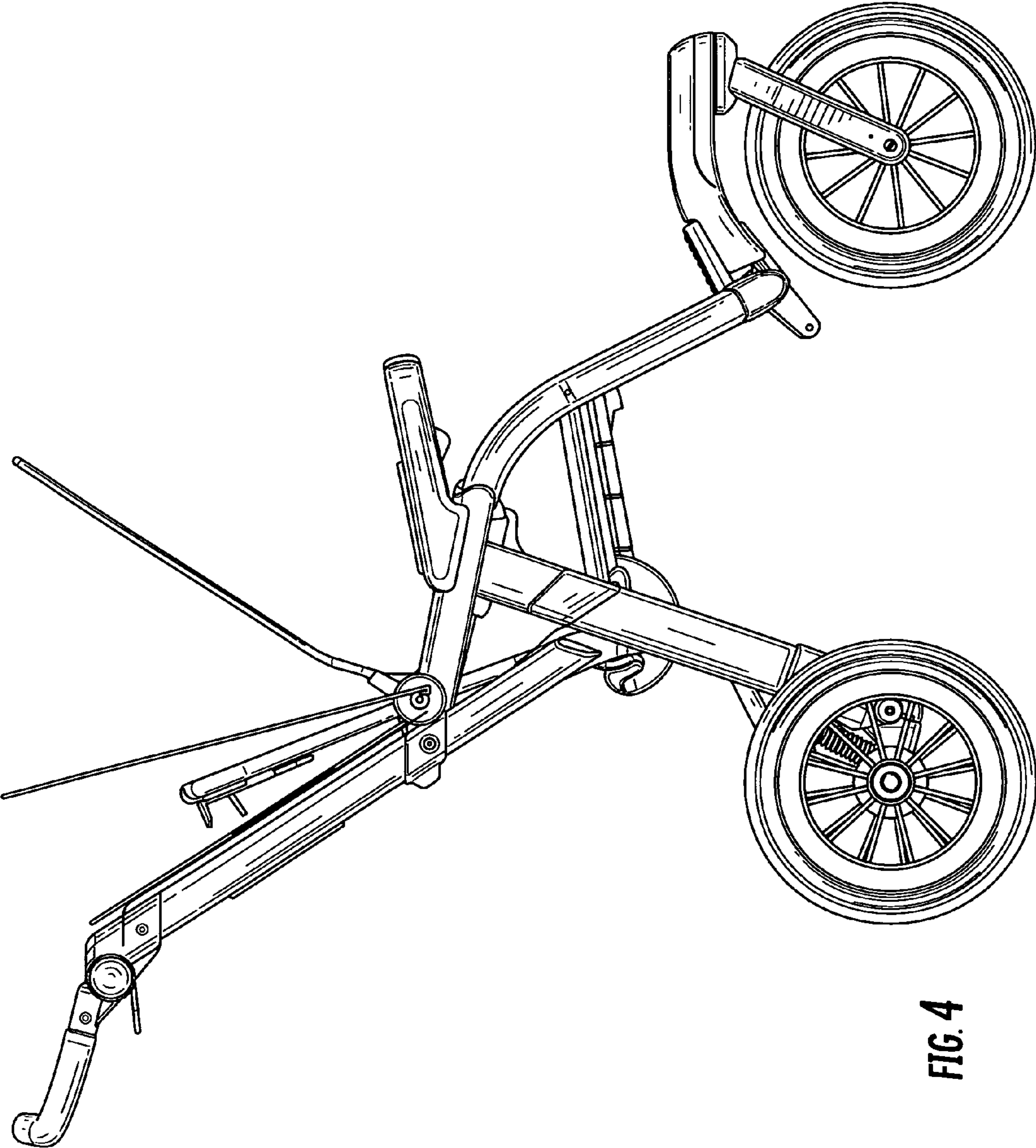


FIG. 4

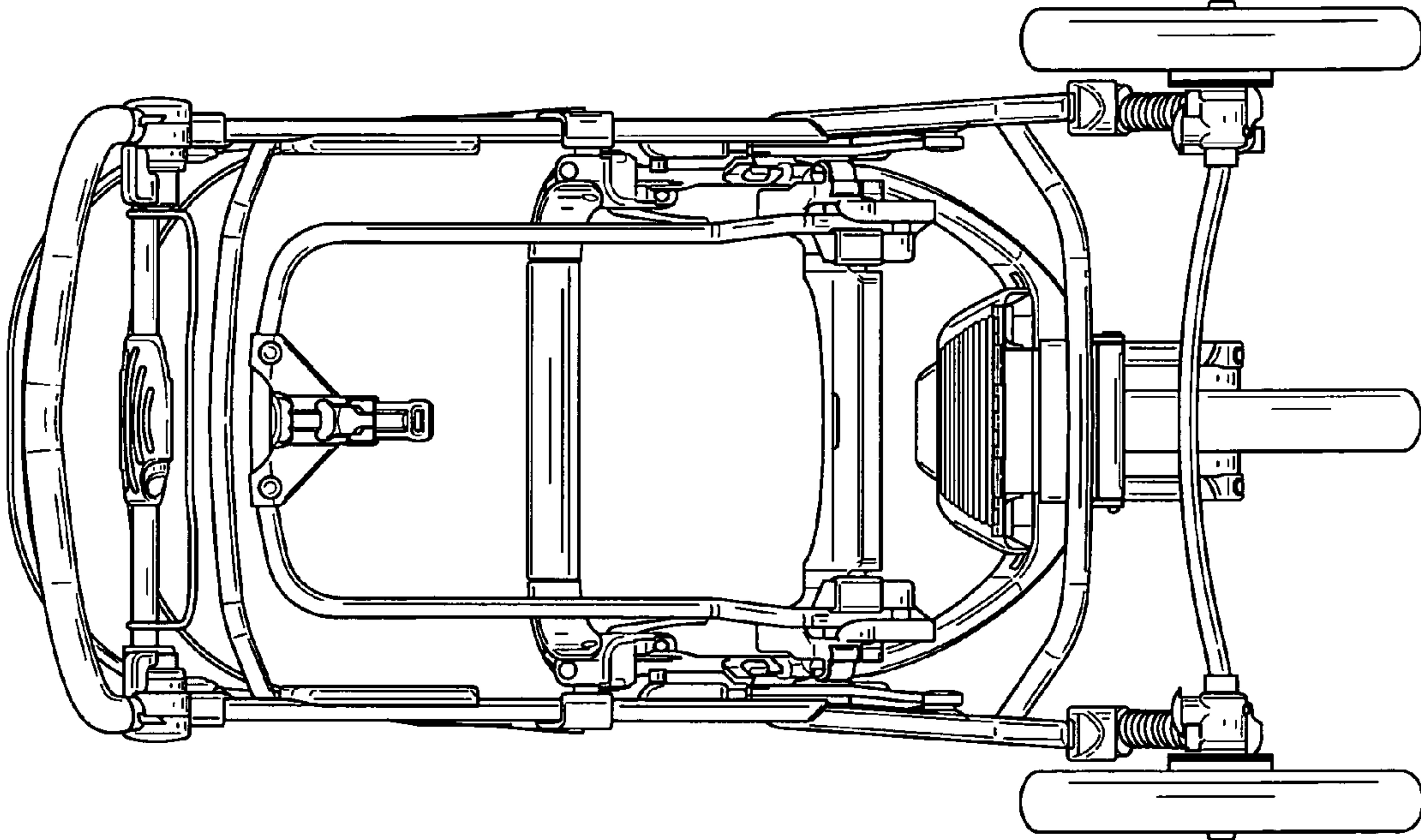


FIG. 5

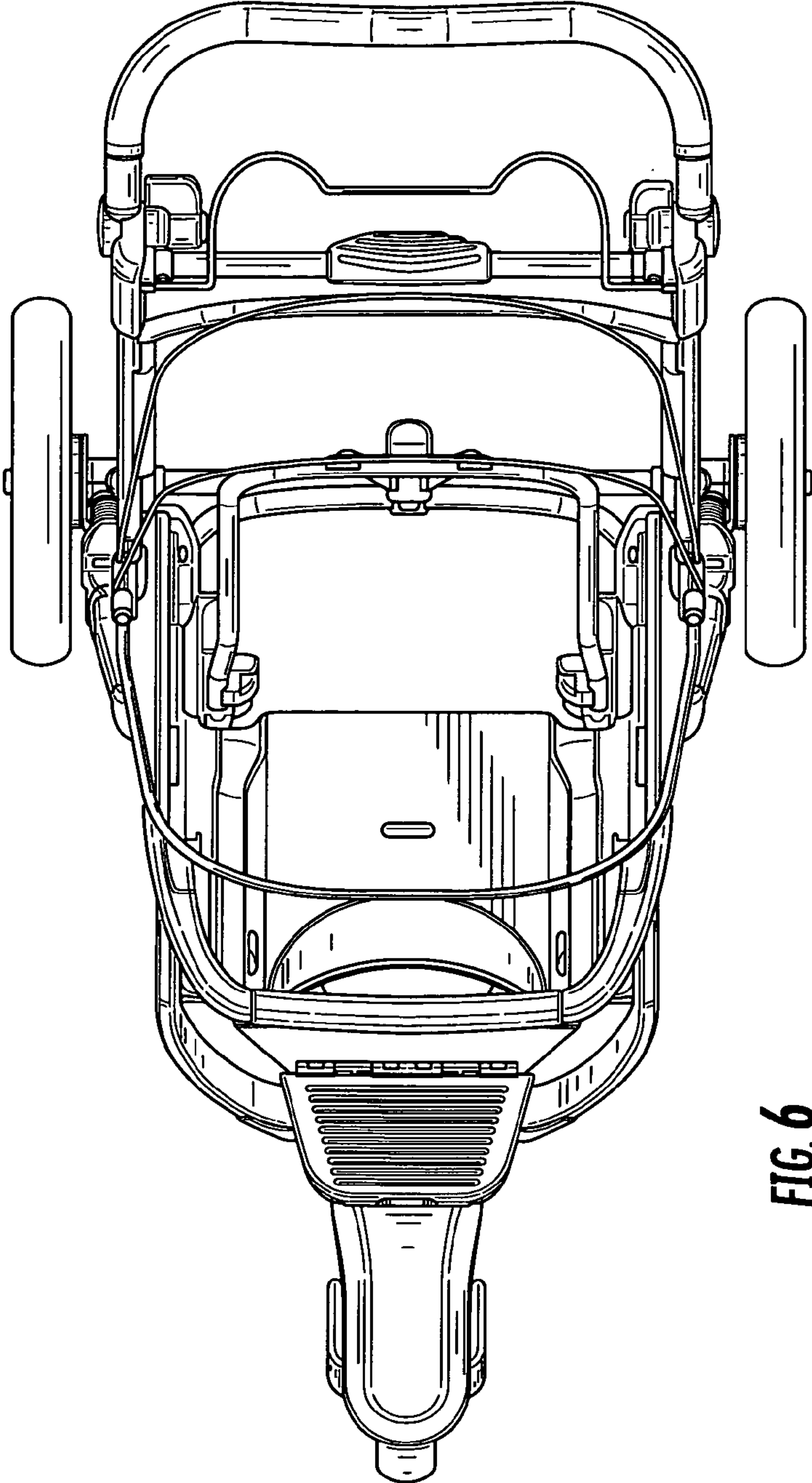


FIG. 6

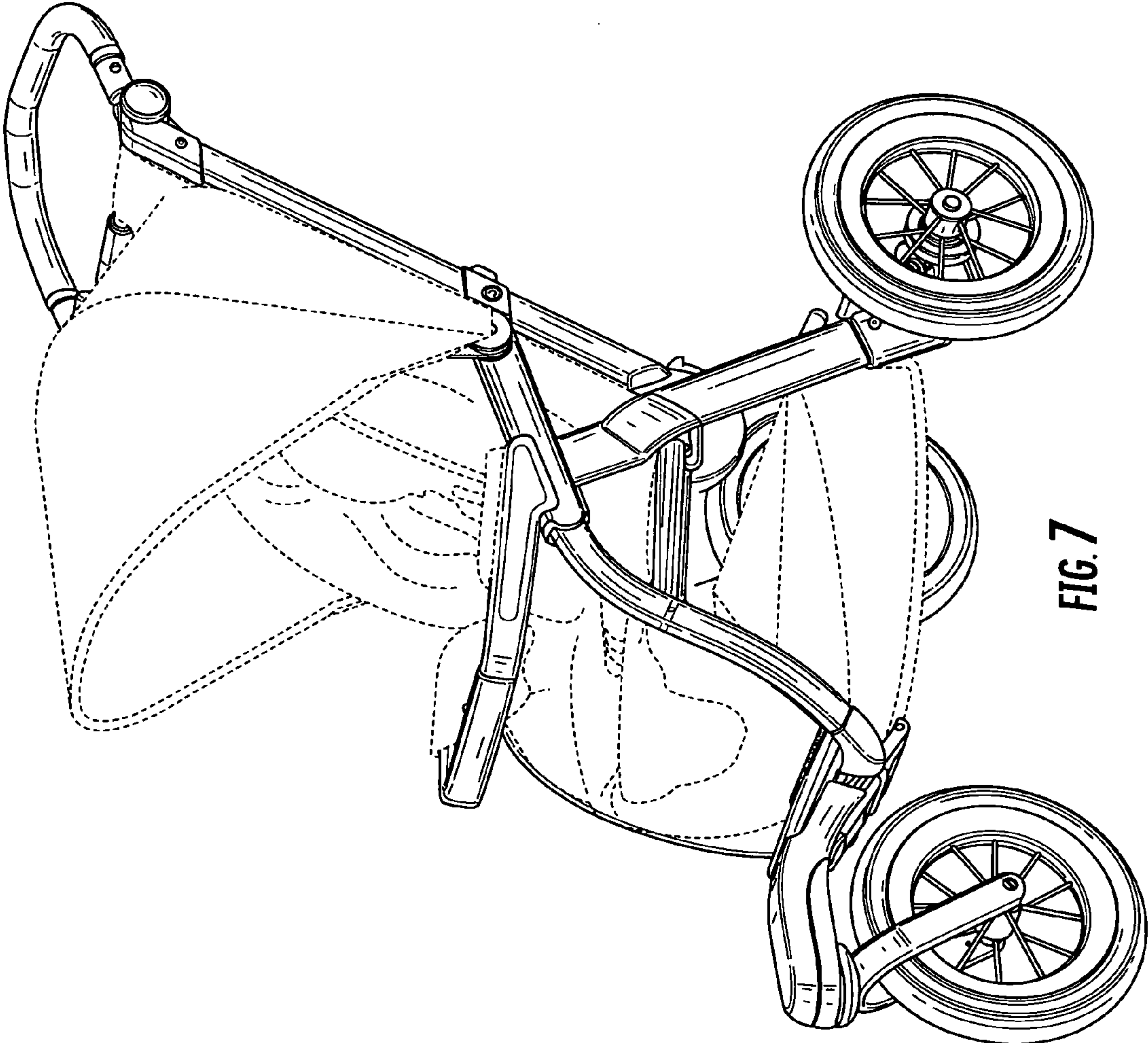


FIG. 7