



US00D687351S

(12) **United States Design Patent**
Carducci et al.

(10) **Patent No.:** **US D687,351 S**

(45) **Date of Patent:** **** Aug. 6, 2013**

(54) **MOTORCYCLE**

(71) Applicant: **Carducci Dual Sport, LLC**, Sunnyvale,
CA (US)

(72) Inventors: **James Carducci**, Sunnyvale, CA (US);
Sherry Cordova, Sunnyvale, CA (US)

(73) Assignee: **Carducci Dual Sport, LLC**, Sunnyvale,
CA (US)

(**) Term: **14 Years**

(21) Appl. No.: **29/433,932**

(22) Filed: **Oct. 5, 2012**

(51) **LOC (9) Cl.** **12-11**

(52) **U.S. Cl.**
USPC **D12/110**

(58) **Field of Classification Search**
USPC D12/110; 180/219, 220, 225, 229
See application file for complete search history.

(56) **References Cited**

U.S. PATENT DOCUMENTS

D269,262 S *	6/1983	Kuyama et al.	D12/110
D274,423 S *	6/1984	Horikoshi	D12/110
D566,626 S *	4/2008	Sakata	D12/110
D594,785 S *	6/2009	Sasanami et al.	D12/110

* cited by examiner

Primary Examiner — Susan M Lee

Assistant Examiner — Linda G Brooks

(74) *Attorney, Agent, or Firm* — Patterson & Sheridan, LLP

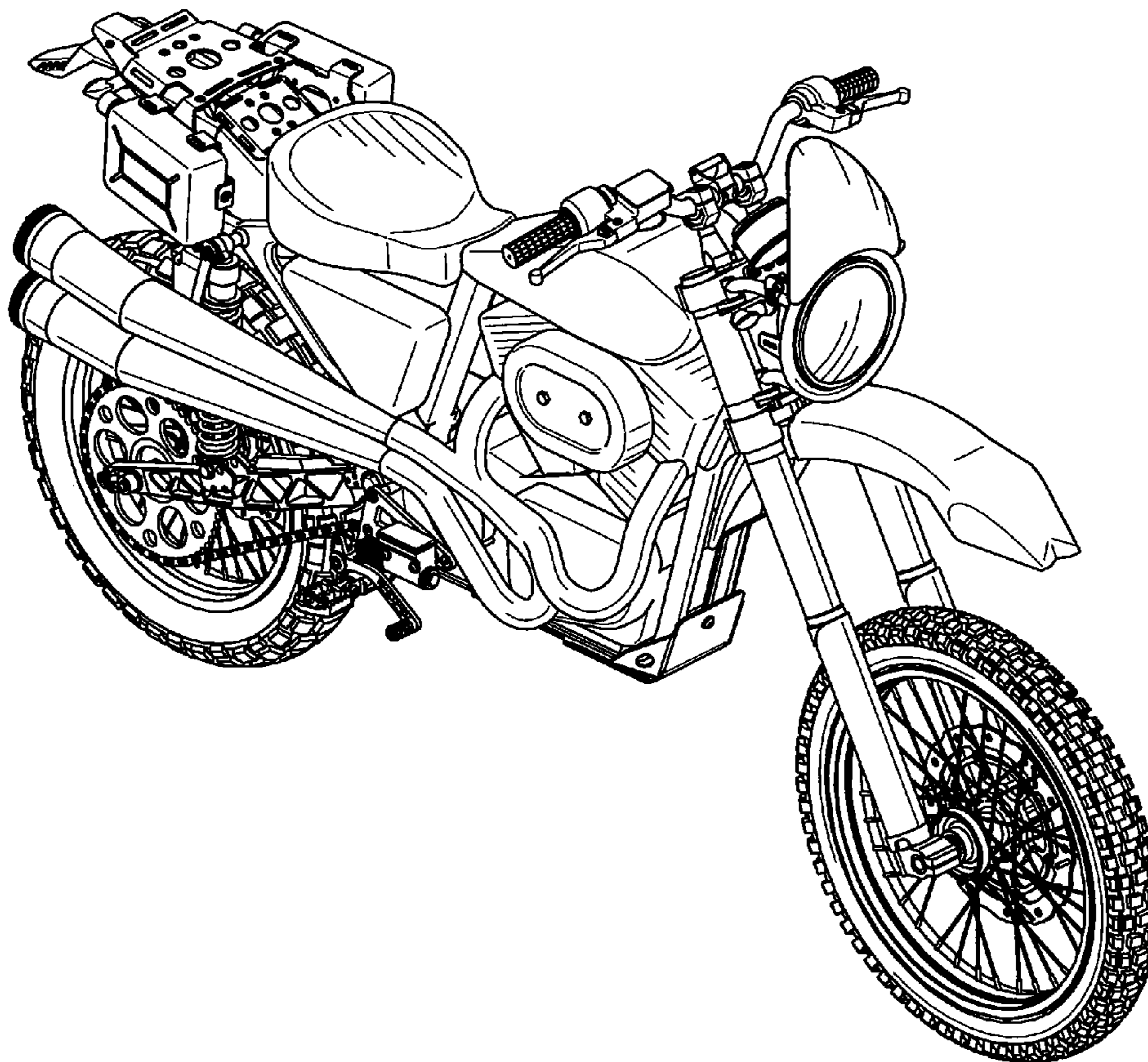
(57) **CLAIM**

The ornamental design for a motorcycle, as shown and described.

DESCRIPTION

FIG. 1 is a perspective view of a motorcycle;
FIG. 2 is a rear perspective view of the motorcycle of FIG. 1;
FIG. 3 is a right side view of the motorcycle of FIG. 1;
FIG. 4 is a left side view of the motorcycle of FIG. 1;
FIG. 5 is a front view of the motorcycle of FIG. 1;
FIG. 6 is a rear view of the motorcycle of FIG. 1;
FIG. 7 is a top view of the motorcycle of FIG. 1; and,
FIG. 8 is a bottom view of the motorcycle of FIG. 1.

1 Claim, 7 Drawing Sheets



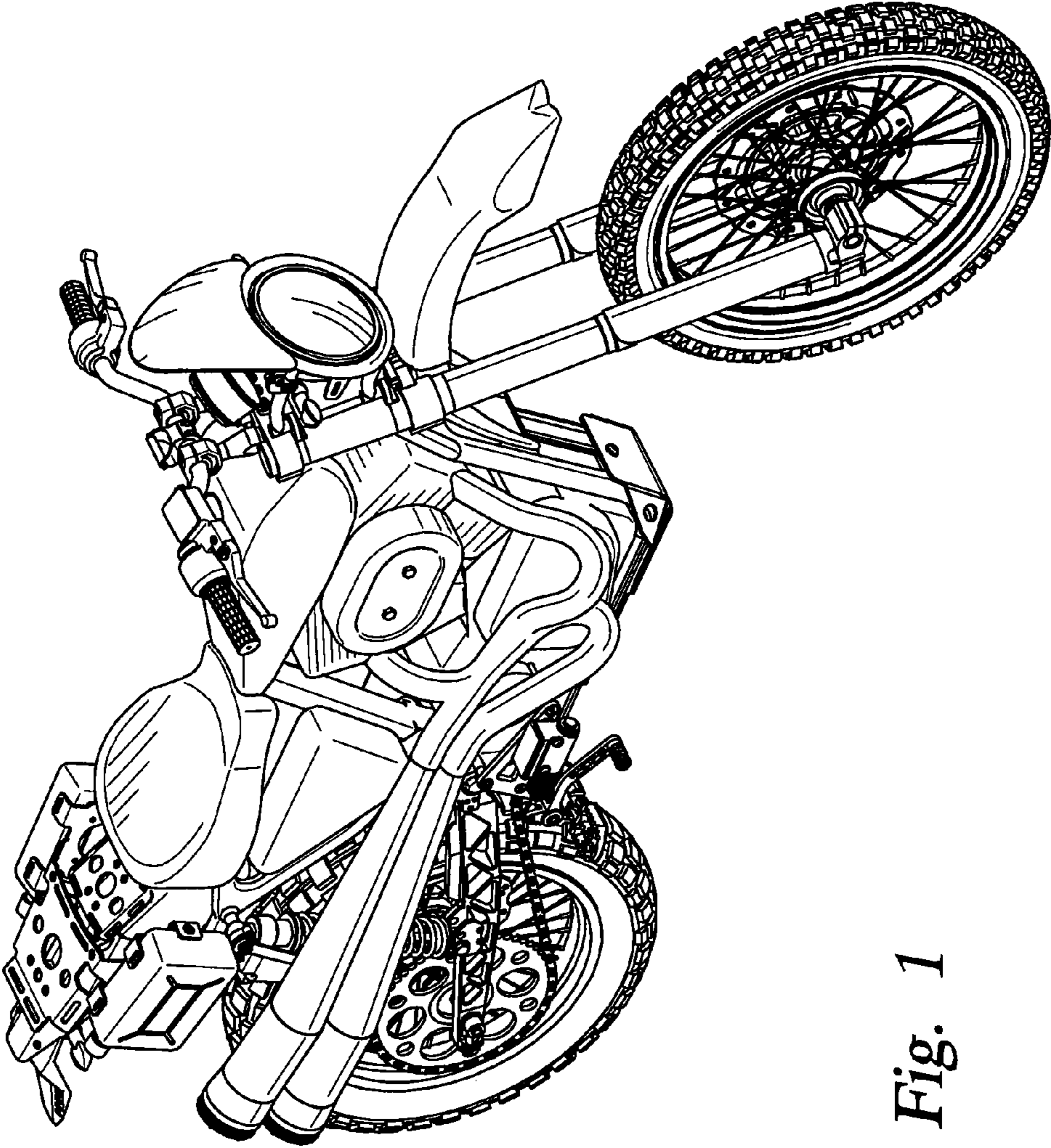


Fig. 1

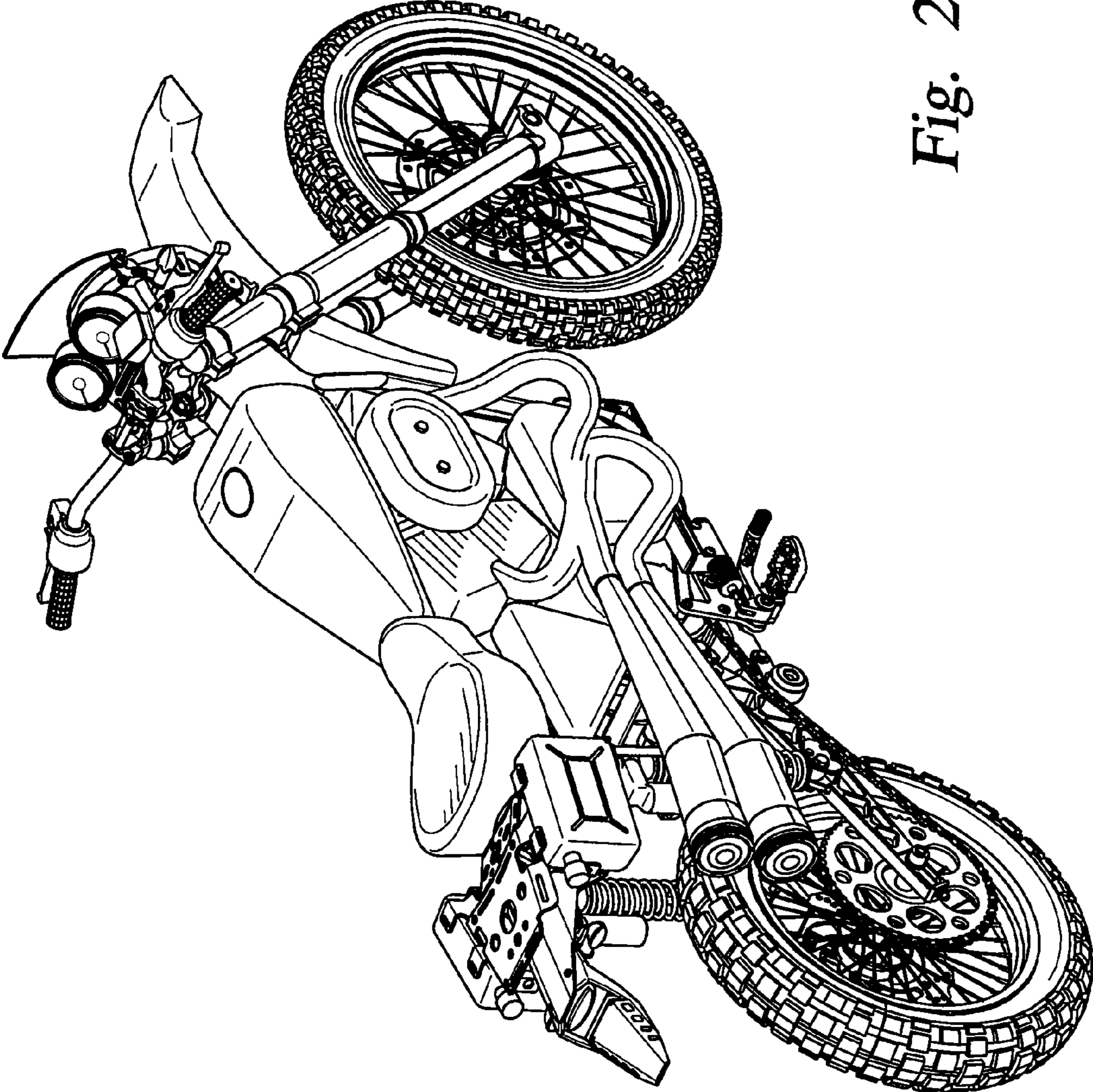


Fig. 2

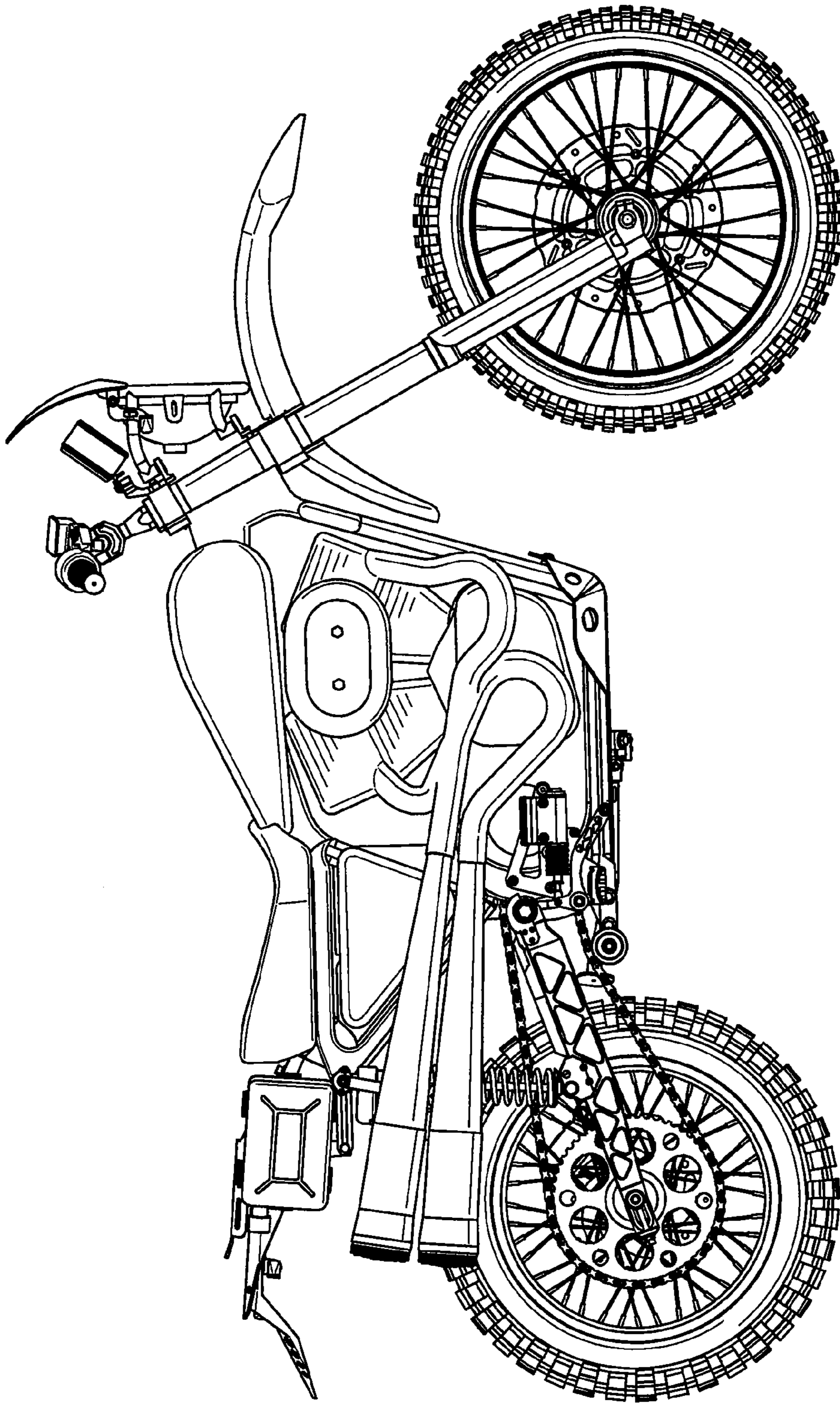


Fig. 3

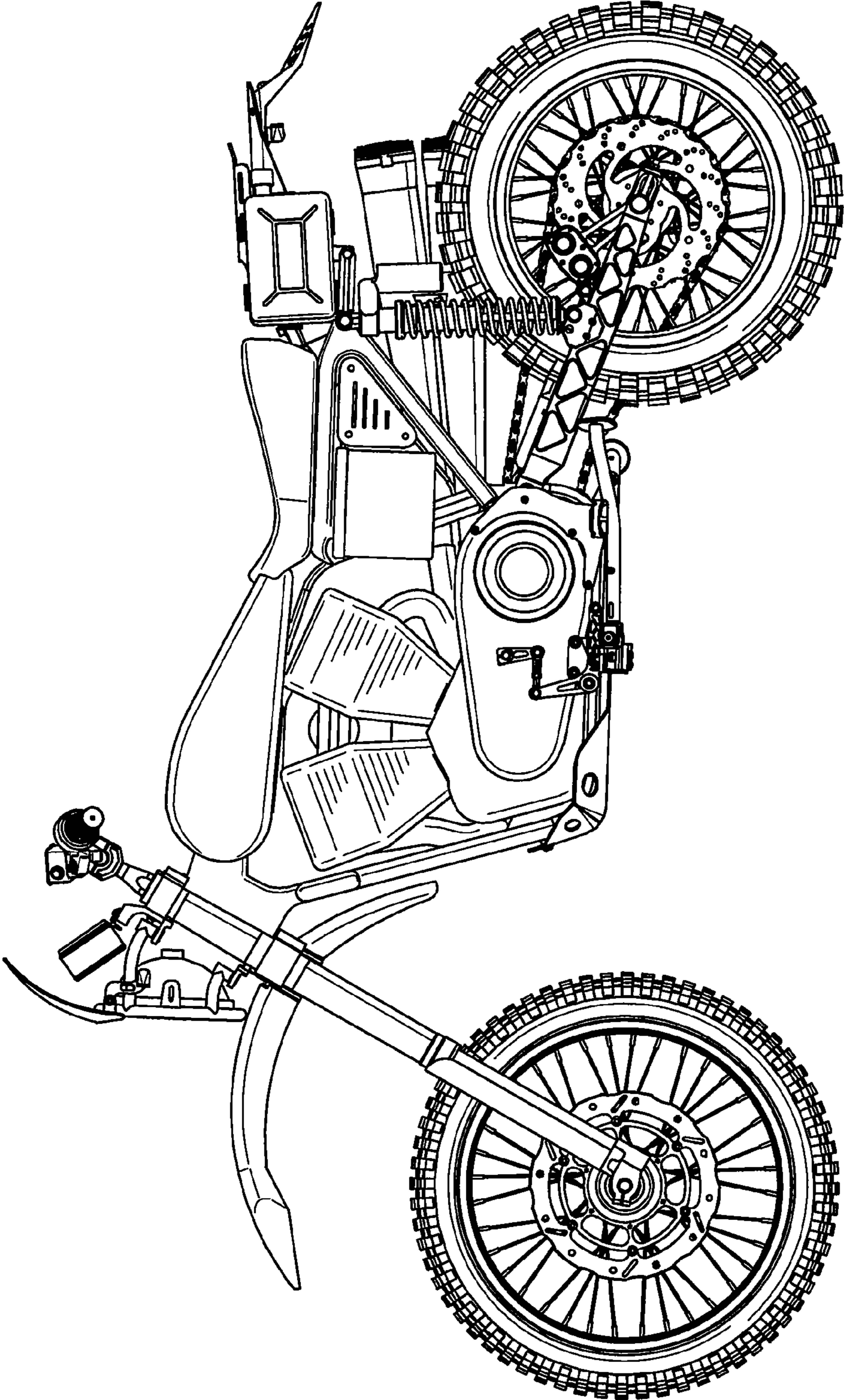


Fig. 4

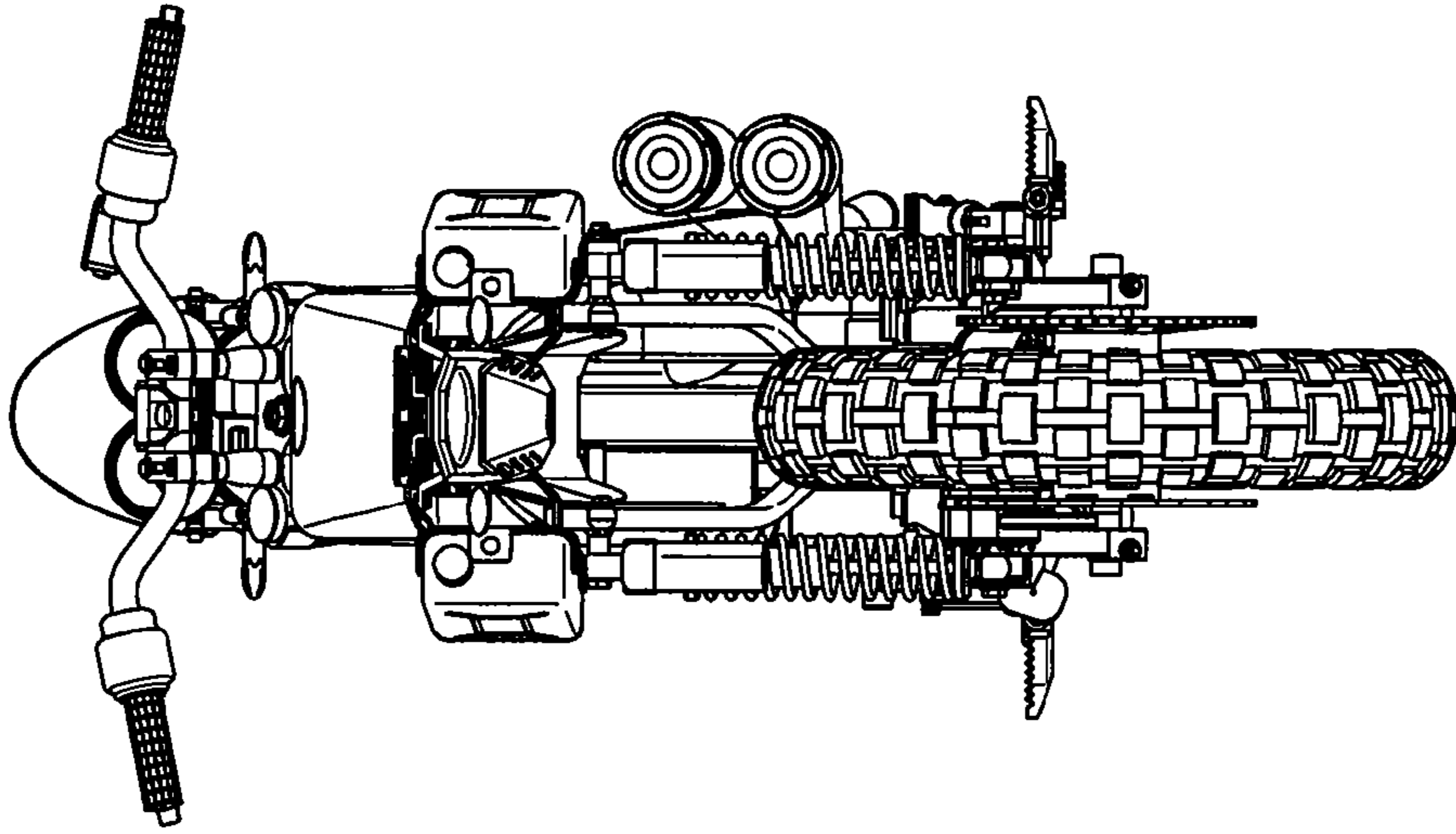


Fig. 5

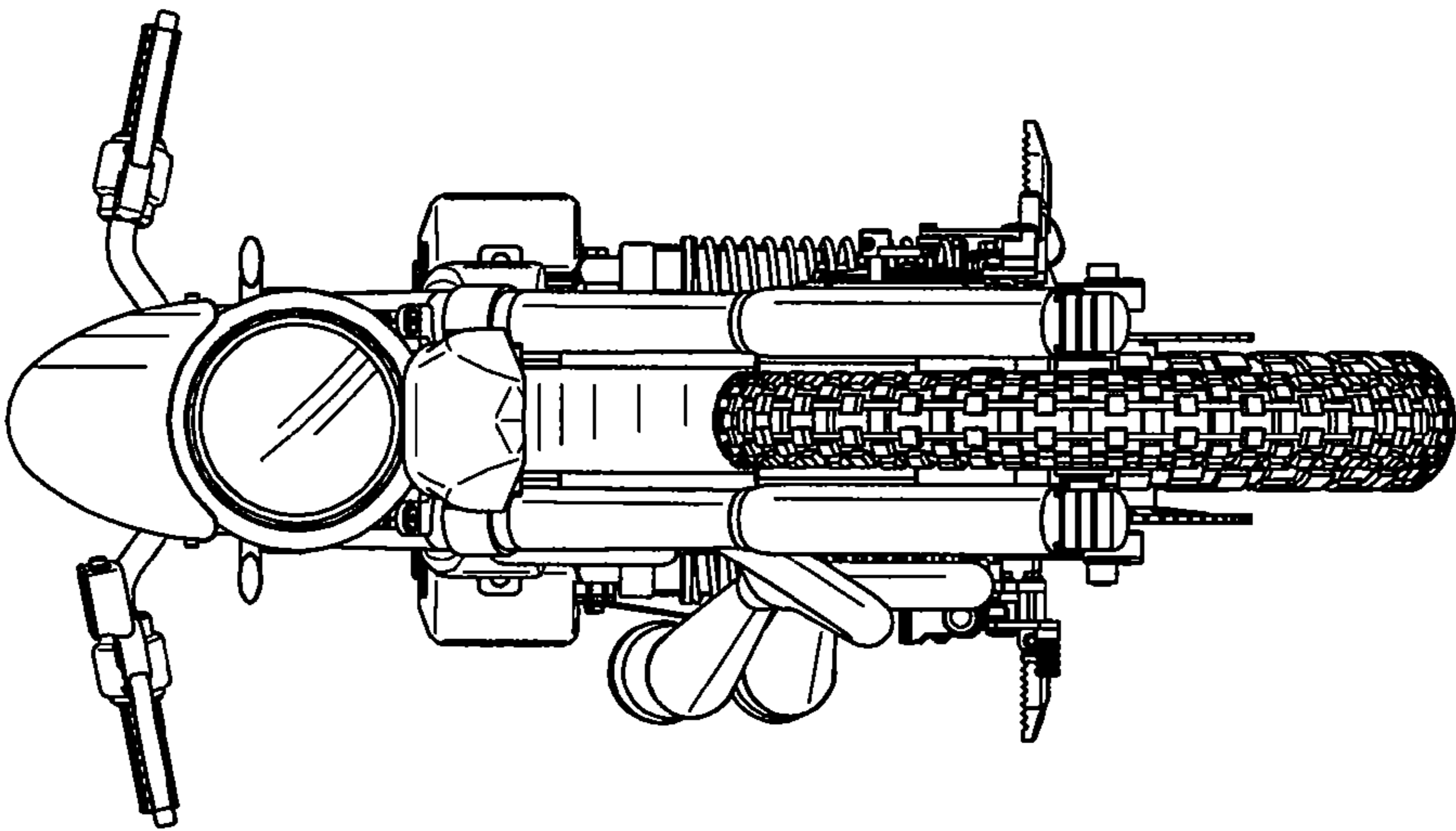


Fig. 6

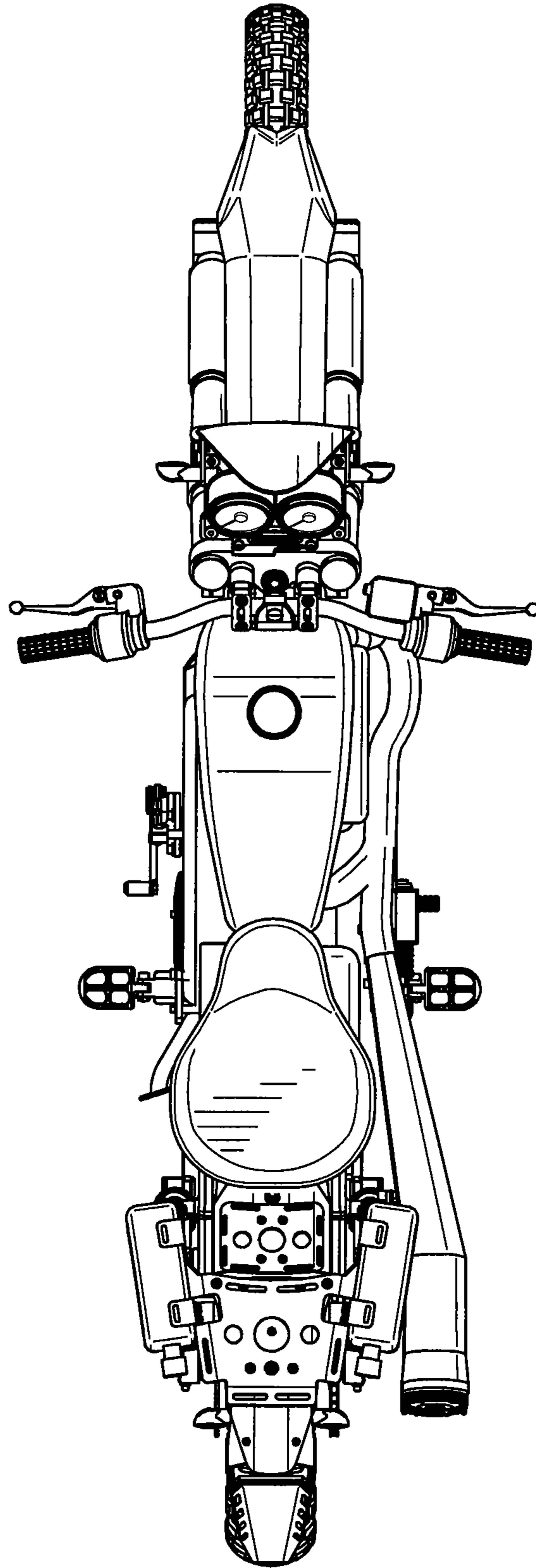


Fig. 7

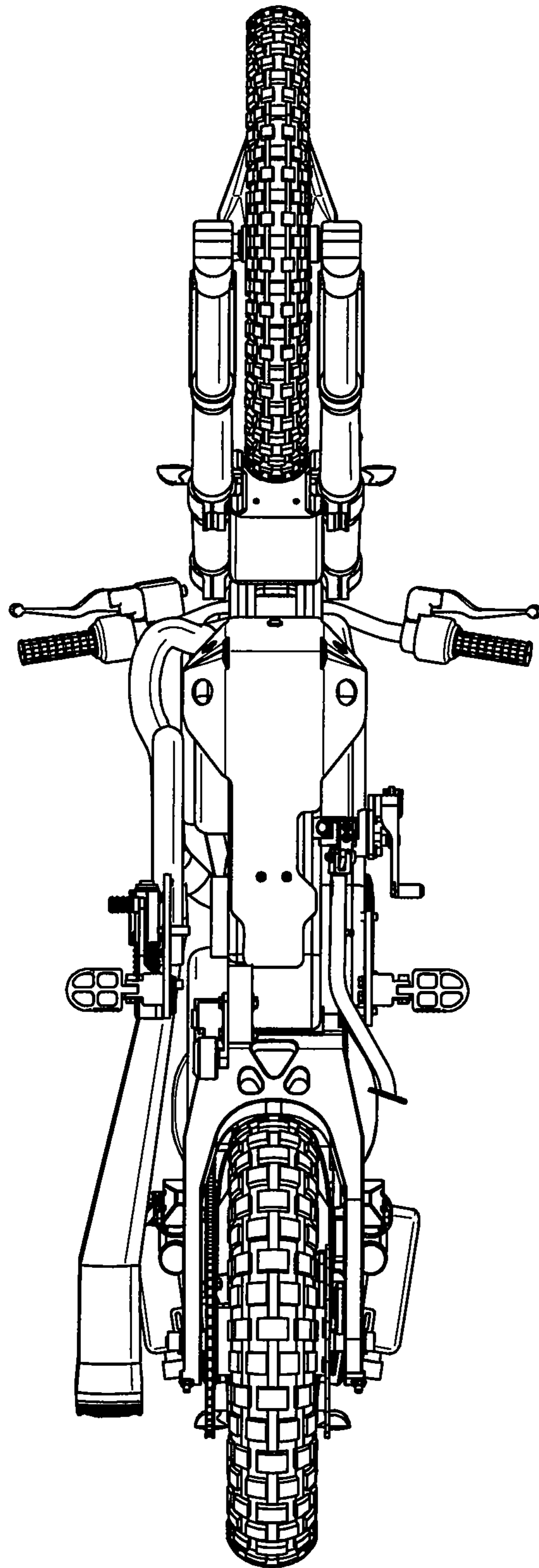


Fig. 8