



US00D687350S

(12) **United States Design Patent**
Wojdyla-Gray et al.

(10) **Patent No.:** **US D687,350 S**

(45) **Date of Patent:** **** Aug. 6, 2013**

(54) **MOBILE DISPLAY TRAILER**

(75) Inventors: **Kelly Ann Wojdyla-Gray**, Sterling Heights, MI (US); **Scott Burns**, St. Louis, MO (US)

(73) Assignee: **International IP Holdings LLC**, Farmington Hills, MI (US)

(**) Term: **14 Years**

(21) Appl. No.: **29/426,393**

(22) Filed: **Jul. 5, 2012**

(51) **LOC (9) Cl.** **12-10**

(52) **U.S. Cl.**
USPC **D12/101**

(58) **Field of Classification Search**
USPC .. D12/101-106, 19, 129, 111, 112; D21/425, D21/435; D34/21-26, 12, 16-19; 280/204, 280/205, 63, 475, 482, 647; 296/168, 180, 296/180.2, 61, 10, 100.01-100.08
See application file for complete search history.

(56) **References Cited**

U.S. PATENT DOCUMENTS

D268,922 S * 5/1983 Richer D12/105
D283,994 S * 5/1986 Perry D12/83

D345,125 S 3/1994 McCrary
D345,178 S 3/1994 Peterson
D377,779 S 2/1997 Smith
D392,223 S 3/1998 Alpiser
D556,091 S * 11/2007 Racich D12/102
D580,071 S * 11/2008 Evans et al. D25/10
D633,010 S * 2/2011 Hixson et al. D12/102
D653,589 S * 2/2012 Hixson et al. D12/102
D653,995 S * 2/2012 Hixson et al. D12/102

* cited by examiner

Primary Examiner — Katrina A Betton

(74) *Attorney, Agent, or Firm* — Oakland Law Group PLLC

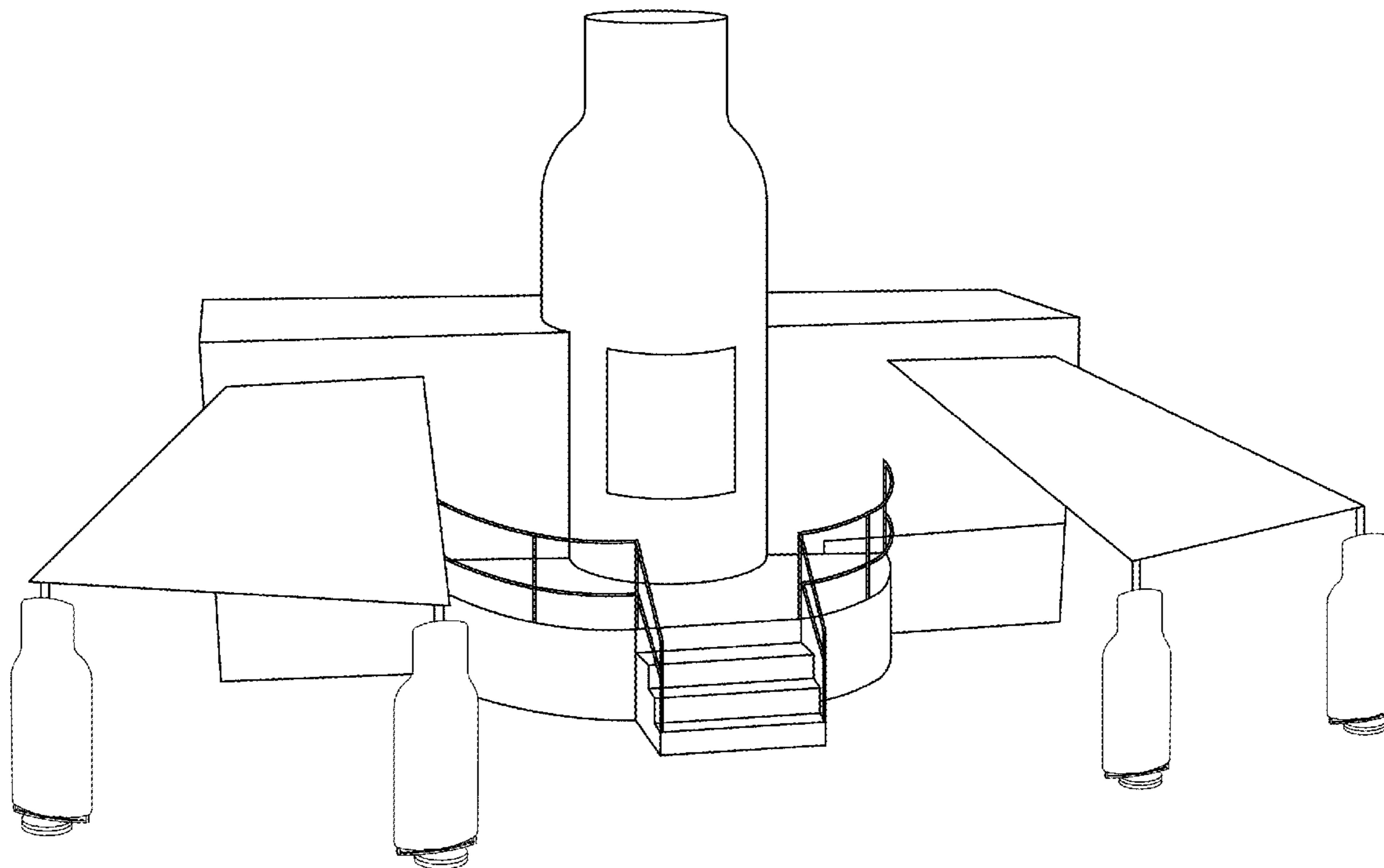
(57) **CLAIM**

The ornamental design for a mobile display trailer, as shown.

DESCRIPTION

FIG. 1 is a perspective front view of a mobile display trailer showing our new design;
FIG. 2 is a front view thereof;
FIG. 3 is a right side view thereof;
FIG. 4 is a left side view thereof;
FIG. 5 is a rear view thereof; and,
FIG. 6 is a top view thereof.

1 Claim, 6 Drawing Sheets



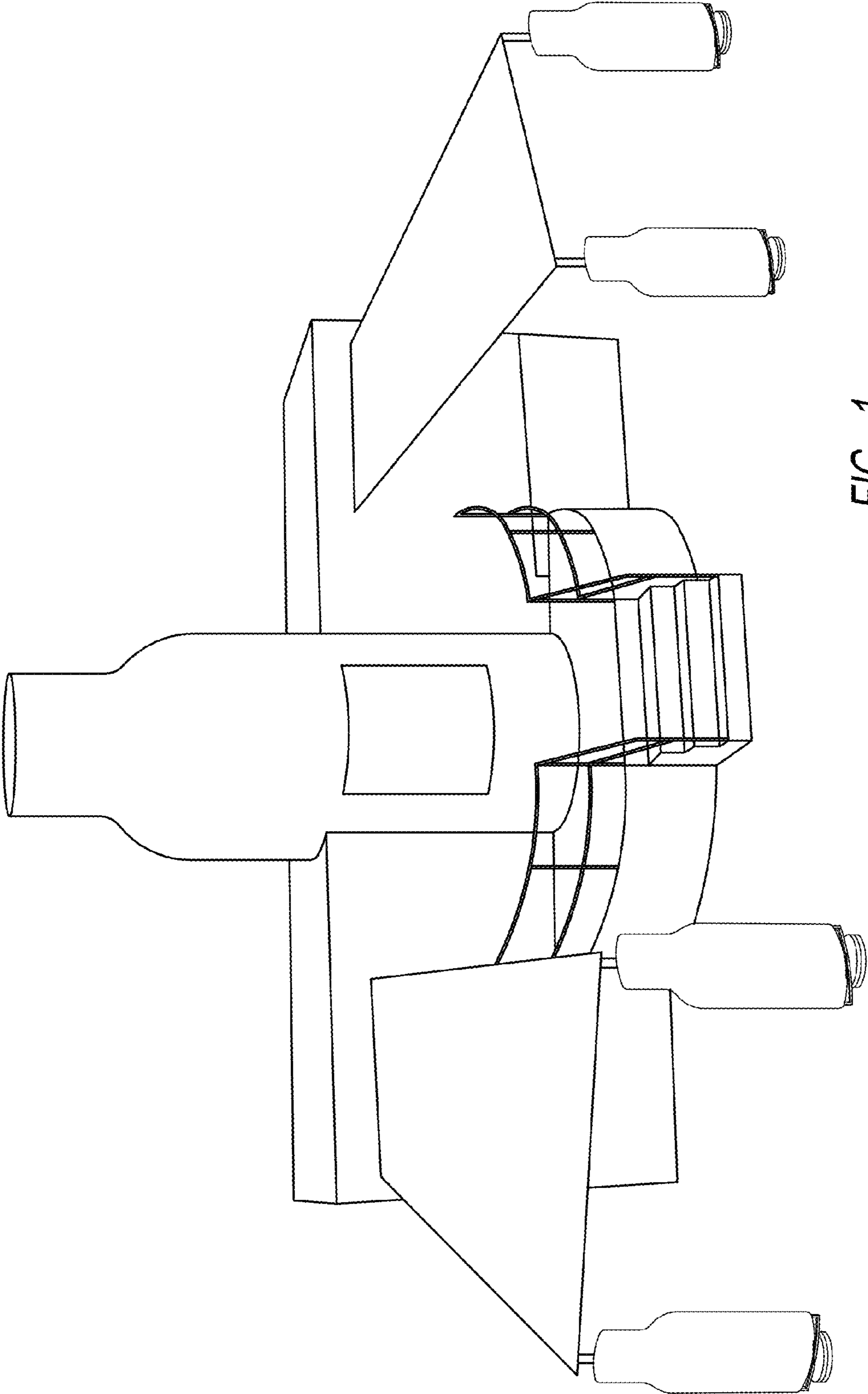


FIG - 1

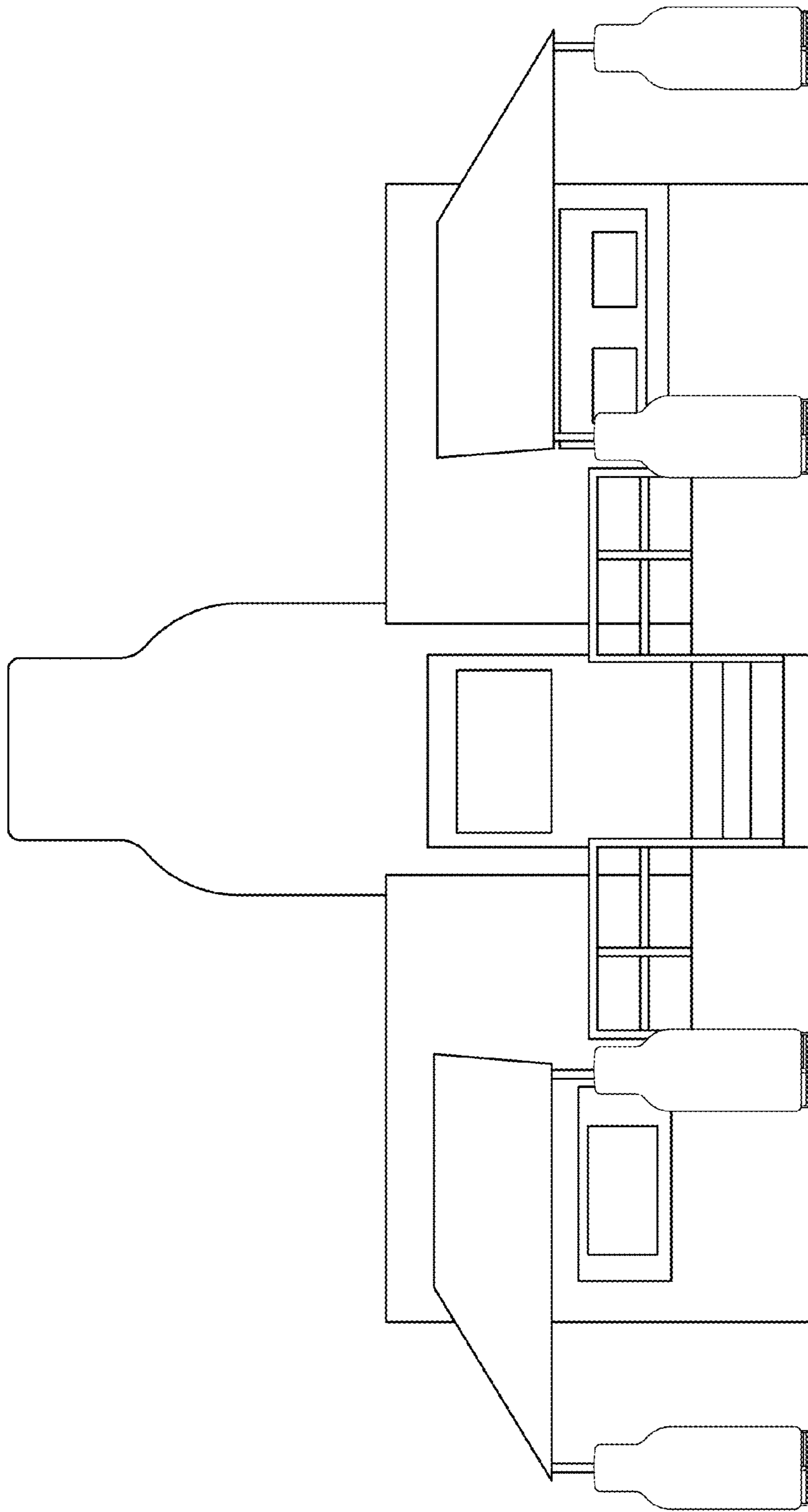


FIG - 2

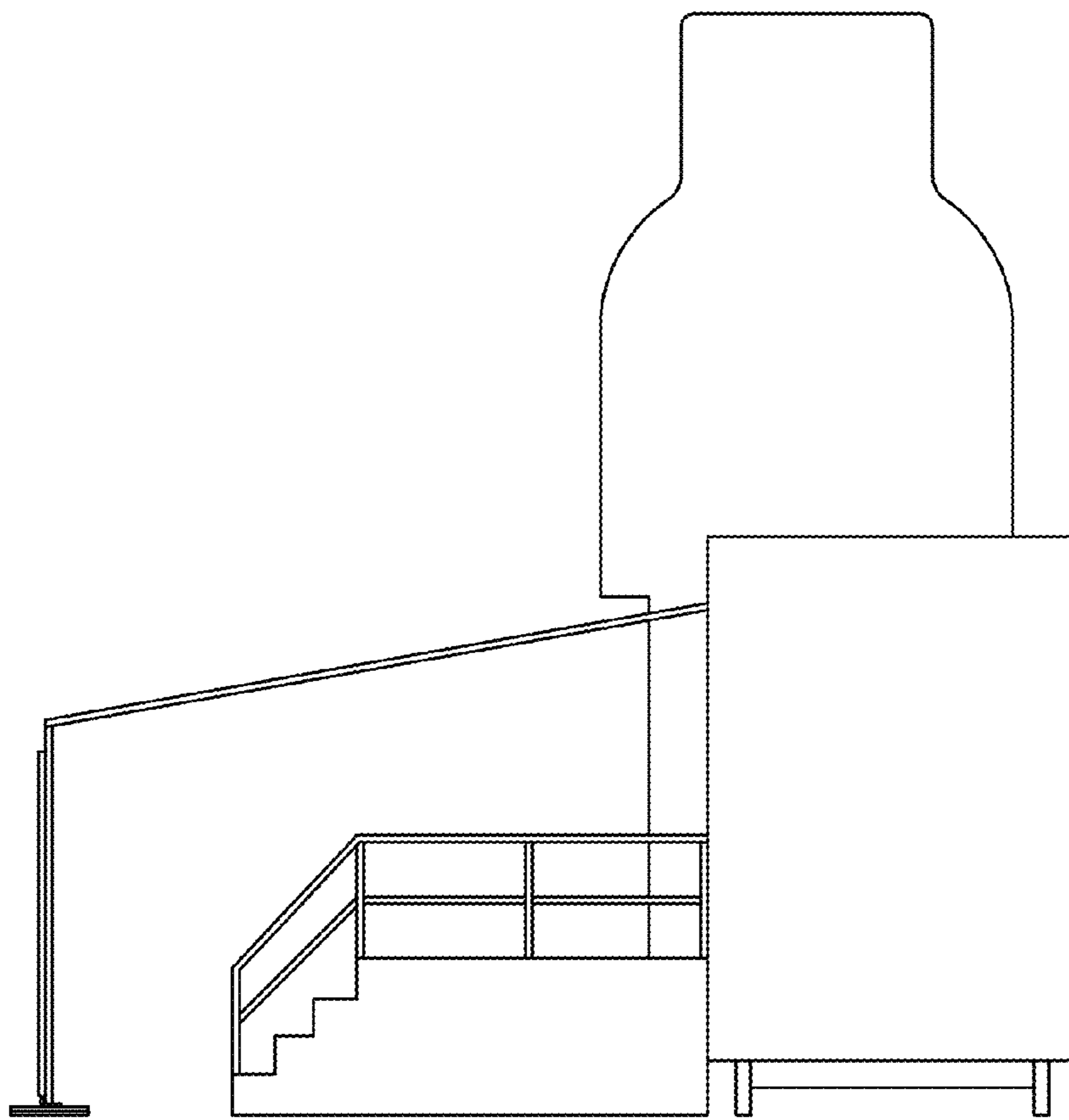


FIG - 3

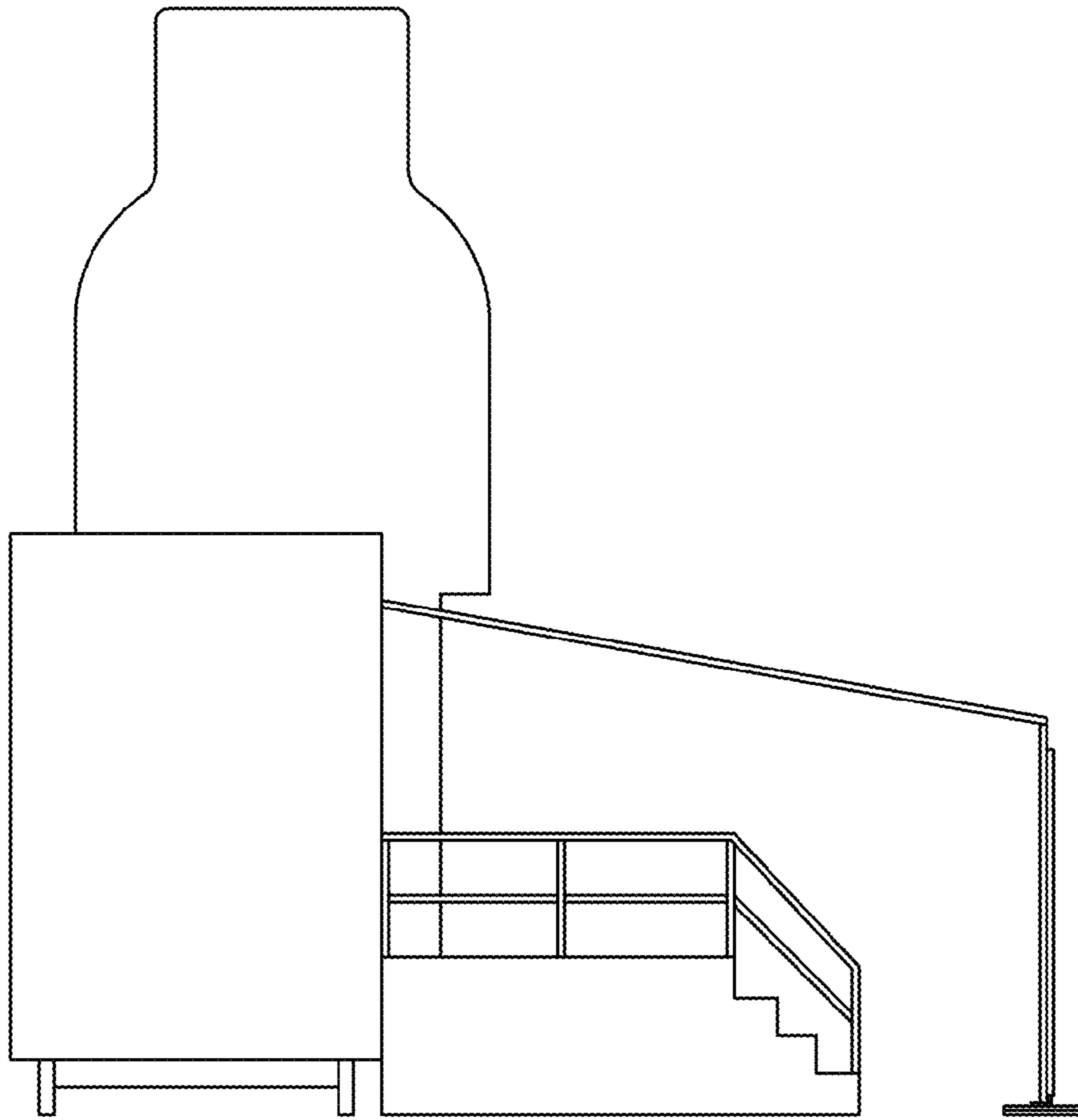


FIG - 4

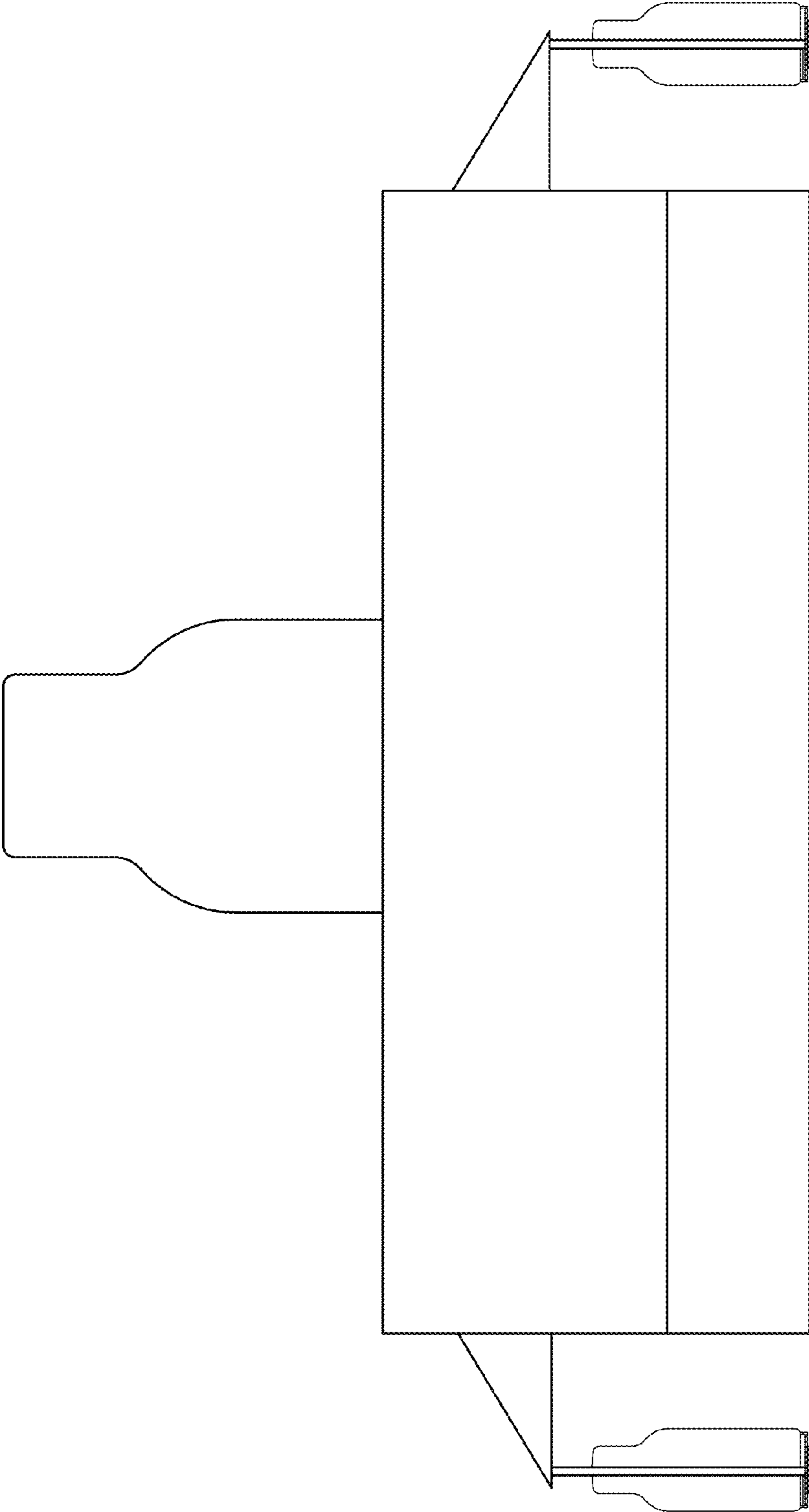


FIG - 5

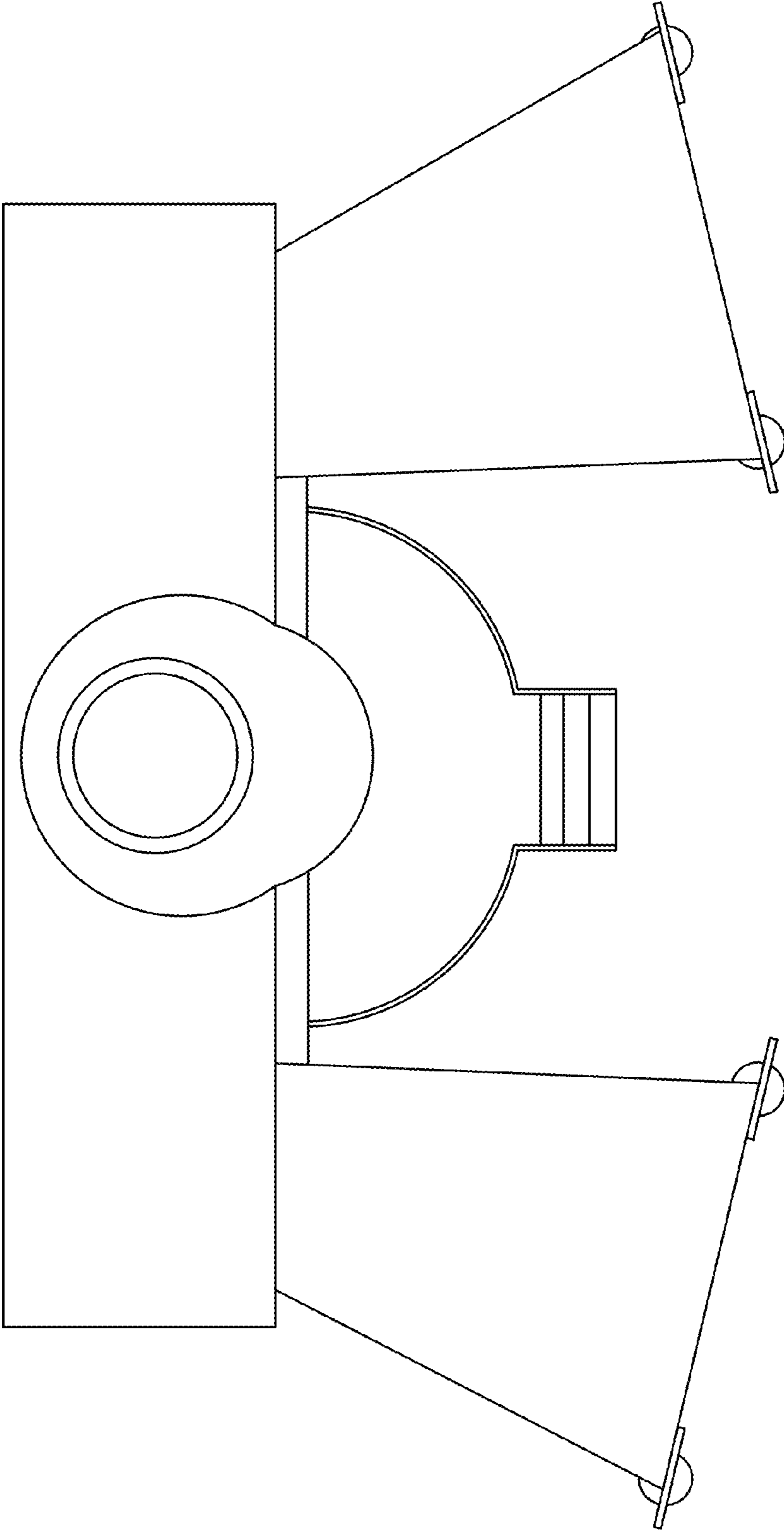


FIG - 6