



US00D687346S

(12) **United States Design Patent**  
**Della Valle et al.**

(10) **Patent No.:** **US D687,346 S**

(45) **Date of Patent:** **\*\* Aug. 6, 2013**

(54) **BUCKLE**

(75) Inventors: **Diego Della Valle**, Sant'Elpidio a Mare (IT); **Monica Chiozzi**, Sant'Elpidio a Mare (IT)

(73) Assignee: **TOD'S S.p.A.**, Sant'Elpidio a Mare (Fermo) (IT)

(\*\*) Term: **14 Years**

(21) Appl. No.: **29/431,832**

(22) Filed: **Sep. 11, 2012**

(30) **Foreign Application Priority Data**

Mar. 15, 2012 (EM) ..... 002009456

(51) **LOC (9) Cl.** ..... **02-07**

(52) **U.S. Cl.**  
USPC ..... **D11/213**

(58) **Field of Classification Search**  
USPC ..... D11/1-2, 200-201, 206-210, 214-218, D11/213, 229, 86, 239; 24/163 R, 169-171, 24/173, 177-179, 191, 194-195, 197, 200, 24/614-616, 625; D2/911, 946, 976

See application file for complete search history.

(56) **References Cited**

U.S. PATENT DOCUMENTS

263,850	A	*	9/1882	DuBois et al.	.....	24/102	SL
D79,572	S	*	10/1929	Riker	.....	D11/200	
D111,228	S	*	9/1938	Slote	.....	D11/200	
D312,984	S	*	12/1990	Sprick	.....	D11/213	
D312,985	S	*	12/1990	Sprick	.....	D11/213	
D543,678	S	*	6/2007	Boas et al.	.....	D2/946	
D628,513	S	*	12/2010	Della Valle et al.	.....	D11/200	

\* cited by examiner

*Primary Examiner* — Ralf Seifert

(74) *Attorney, Agent, or Firm* — Knobbe, Martens, Olson & Bear LLP

(57) **CLAIM**

The ornamental design for the buckle, as shown.

**DESCRIPTION**

FIG. 1 is a front elevational view of a buckle showing the new design.

FIG. 2 is a rear elevational view thereof.

FIG. 3 is a left side elevational view thereof.

FIG. 4 is a right side elevational view thereof.

FIG. 5 is a top plan view thereof.

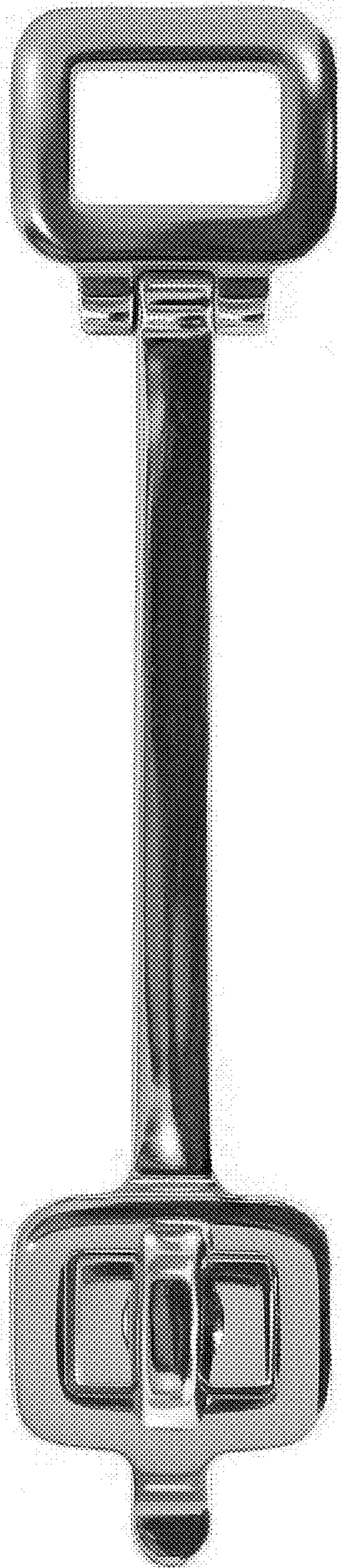
FIG. 6 is a bottom plan view thereof; and,

FIG. 7 is a perspective view thereof.

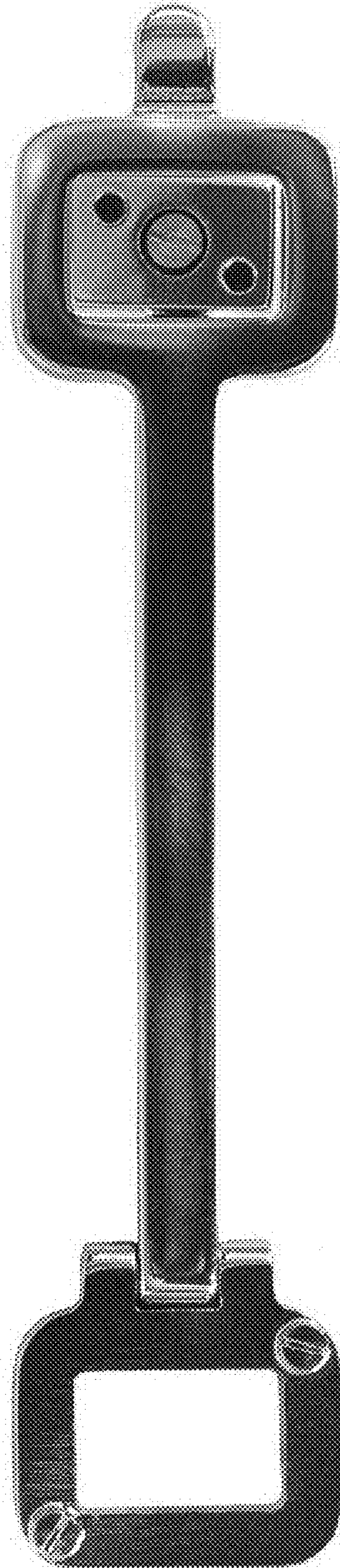
**1 Claim, 4 Drawing Sheets**



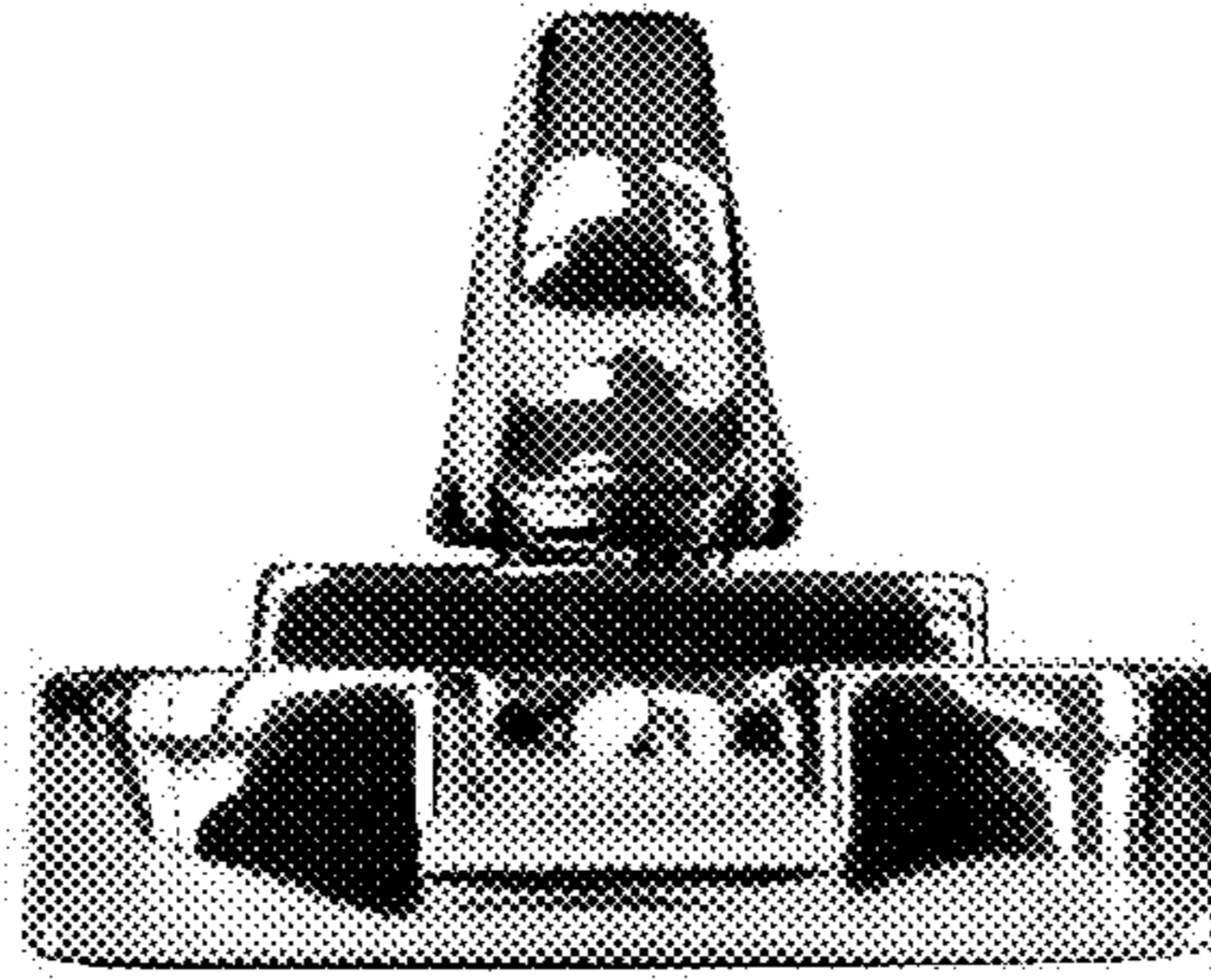




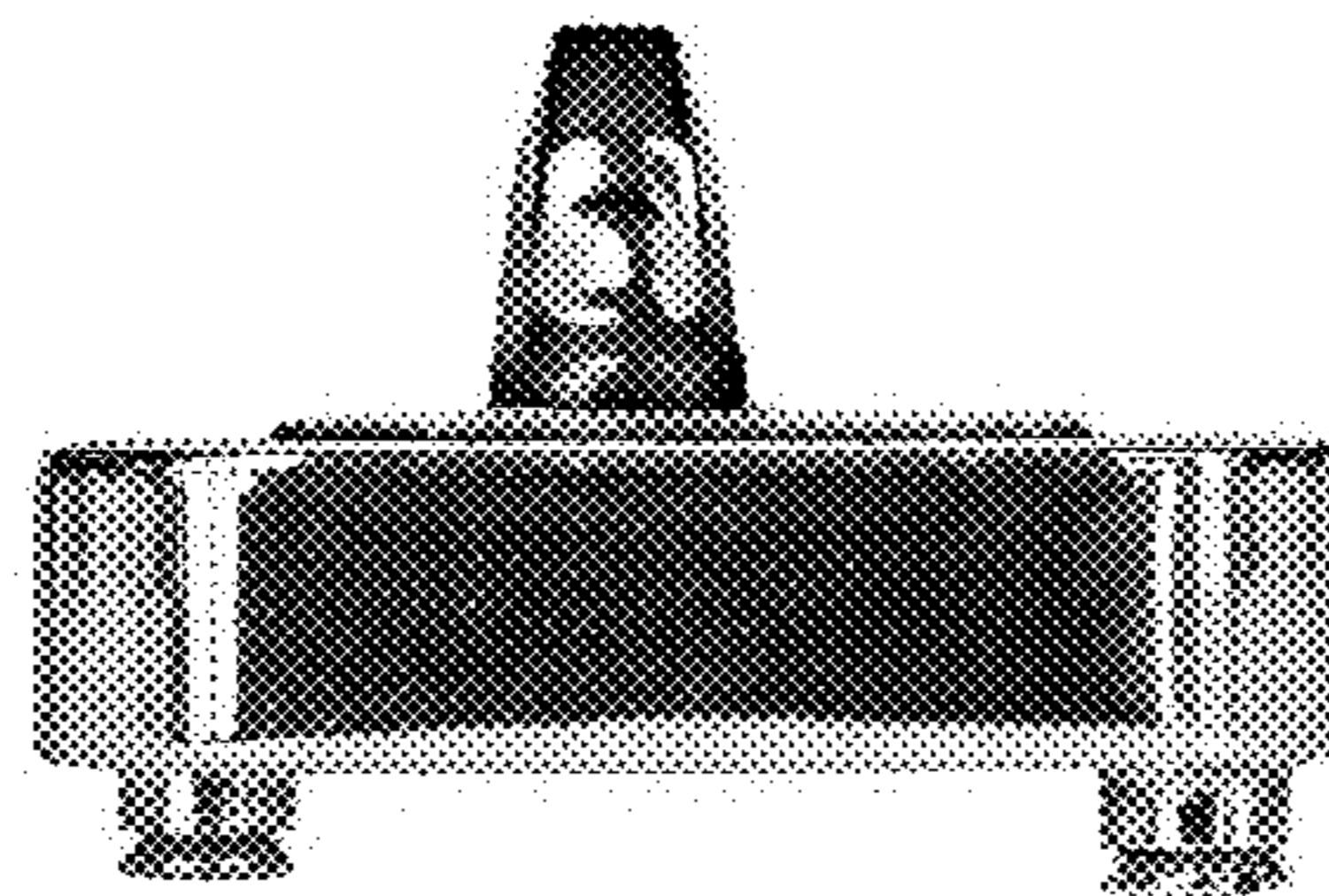
*FIG. 1*



*FIG. 2*

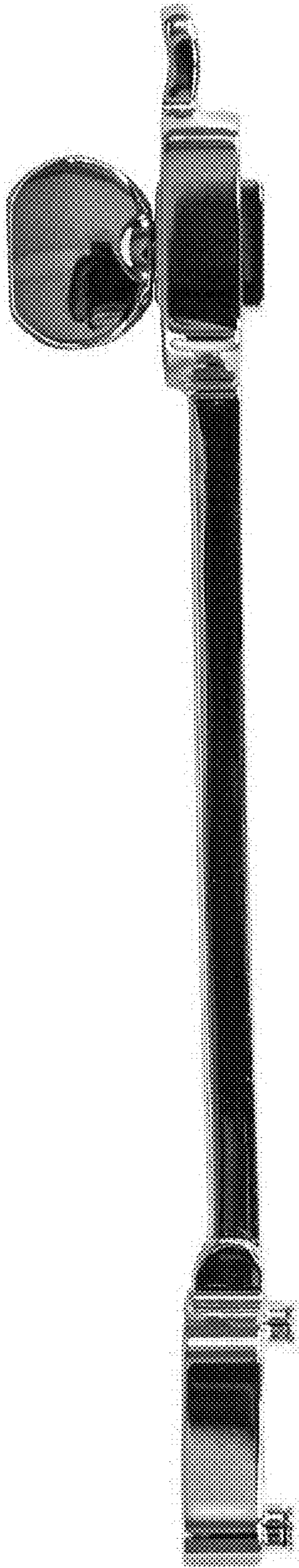


*FIG. 3*

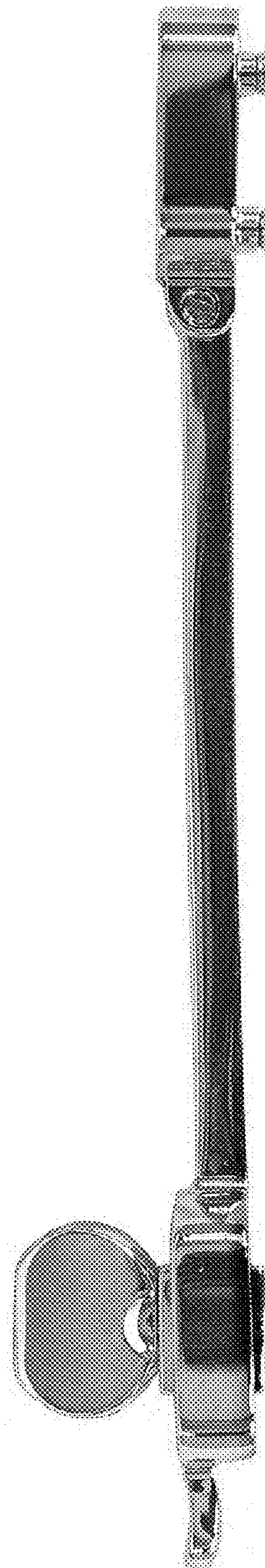


*FIG. 4*





*FIG. 5*



*FIG. 6*





FIG. 7