



US00D687344S

(12) **United States Design Patent**  
**Garibovic**

(10) **Patent No.:** **US D687,344 S**

(45) **Date of Patent:** **\*\* Aug. 6, 2013**

(54) **CONSTRUCTION BLOCK PLANTER BOX**

(76) **Inventor:** **Edin Garibovic**, Houston, TX (US)

(\*\*) **Term:** **14 Years**

(21) **Appl. No.:** **29/420,550**

(22) **Filed:** **May 10, 2012**

(51) **LOC (9) Cl.** ..... **11-02**

(52) **U.S. Cl.**  
USPC ..... **D11/143; D8/1**

(58) **Field of Classification Search**

USPC D6/403-405, 556-558; D8/1; D11/143-156,  
D11/164; D19/77, 80, 81, 84; D25/100;  
D26/9-11, 16, 19; D34/1, 2, 4-6; D99/5,  
D99/19; 47/17, 32.4, 32.5, 33, 39, 41.01,  
47/41.1, 41.11-41.15, 44-47, 65, 65.5, 65.9,  
47/66.1, 66.6, 66.7, 67-71

See application file for complete search history.

(56) **References Cited**

**U.S. PATENT DOCUMENTS**

2,633,278 A \* 3/1953 Muniz ..... 224/411  
3,384,260 A \* 5/1968 Buffington ..... D11/152  
4,658,541 A \* 4/1987 Haile ..... D11/143  
D343,509 S \* 1/1994 Scott et al. .... D8/1

D346,726 S \* 5/1994 Scott et al. .... D8/1  
D355,791 S \* 2/1995 Briley ..... D11/143  
2009/0173000 A1\* 7/2009 Rand et al. .... 47/39

\* cited by examiner

*Primary Examiner* — Garth Rademaker

(74) *Attorney, Agent, or Firm* — Charles Knobloch; Arnold,  
Knobloch & Saunders, L.L.P.

(57) **CLAIM**

I claim the ornamental design for a construction block planter  
box, as shown and described.

**DESCRIPTION**

FIG. 1 is a perspective view of a construction block planter  
box.

FIG. 2 is a top view thereof.

FIG. 3 is a bottom view thereof.

FIG. 4 is a side view thereof.

FIG. 5 is a rear view thereof.

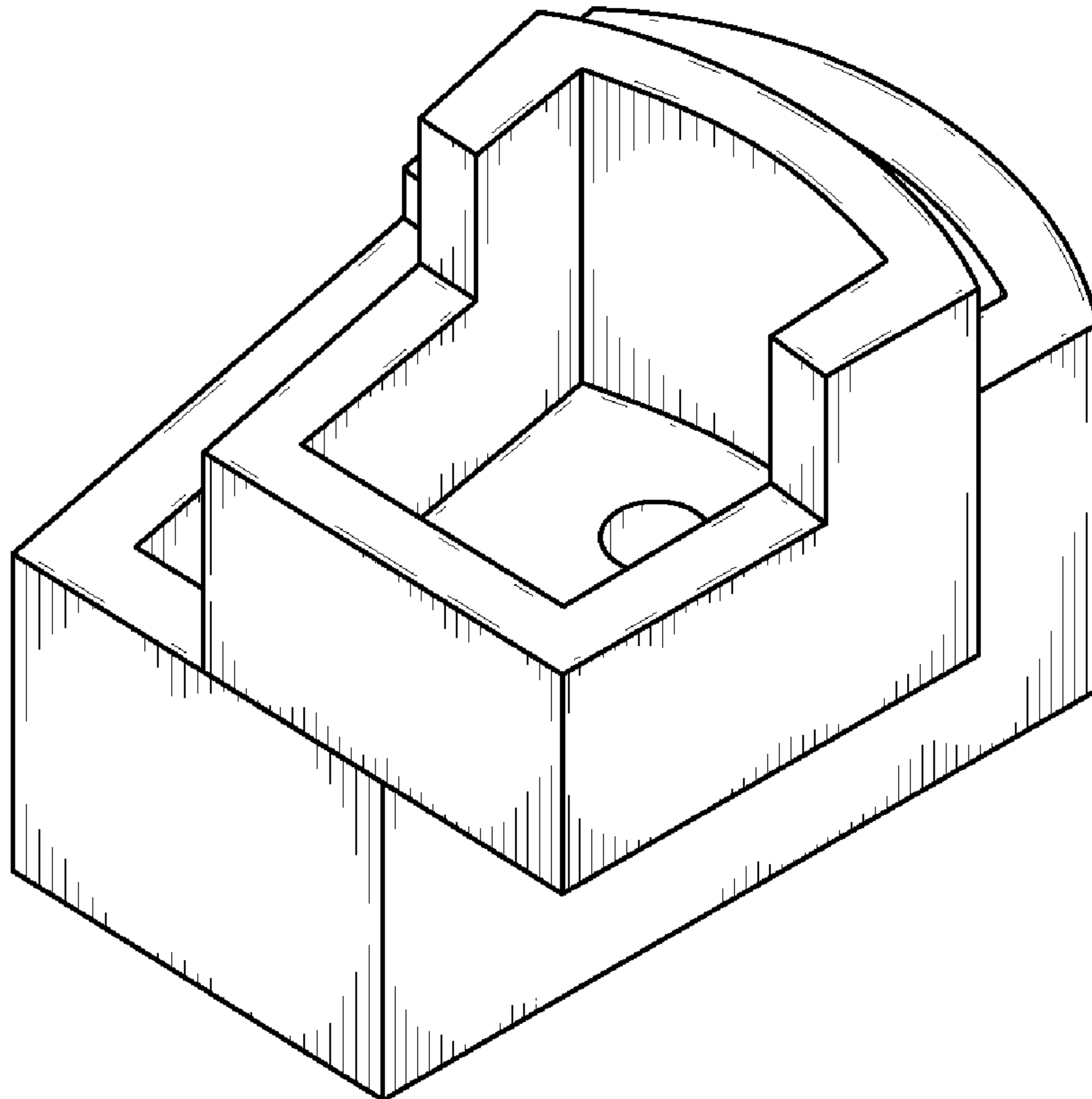
FIG. 6 is a front view thereof.

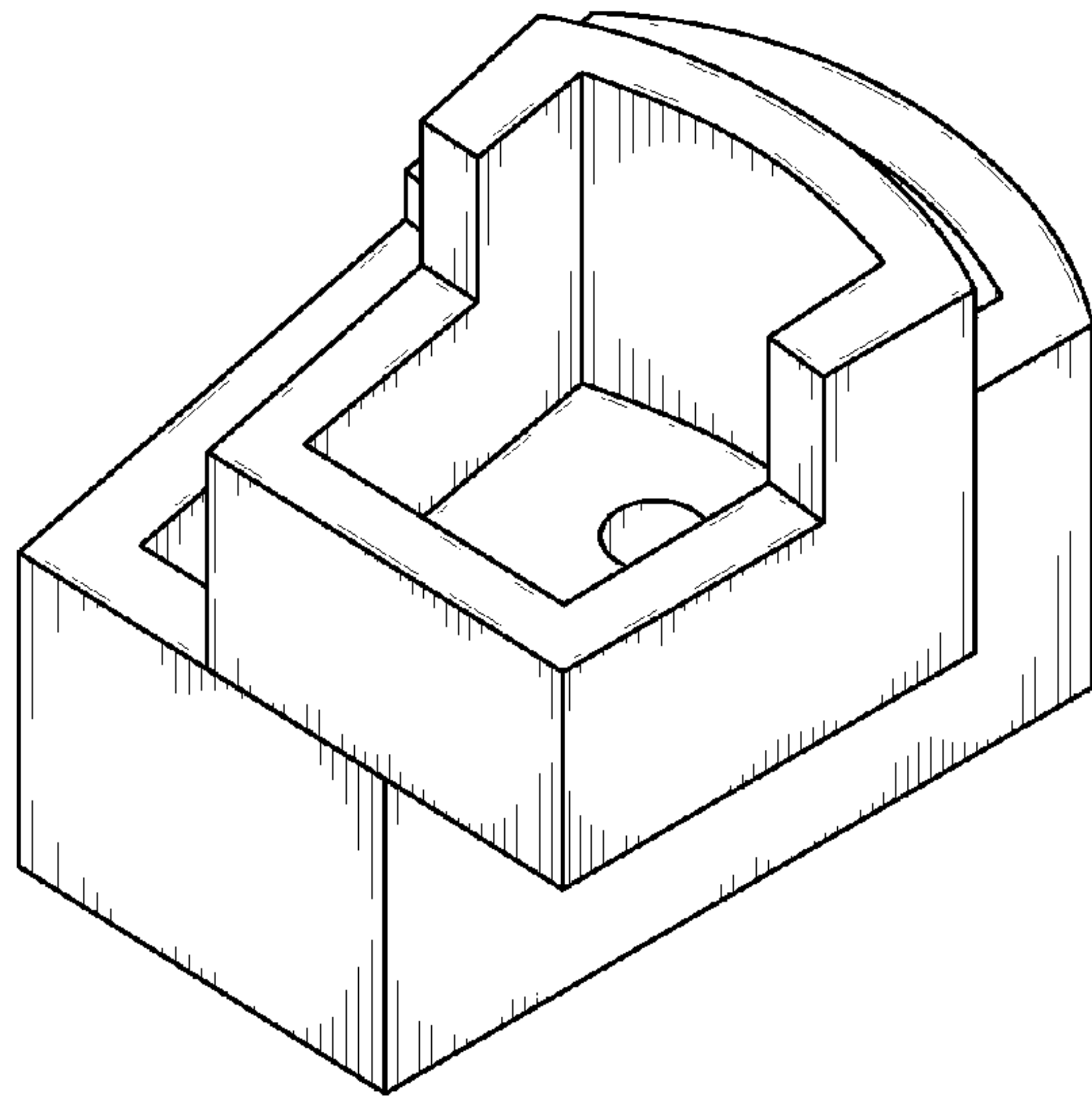
FIG. 7 is a top view thereof, shown in an environment of use;  
and,

FIG. 8 is a perspective view thereof, shown in an environment  
of use.

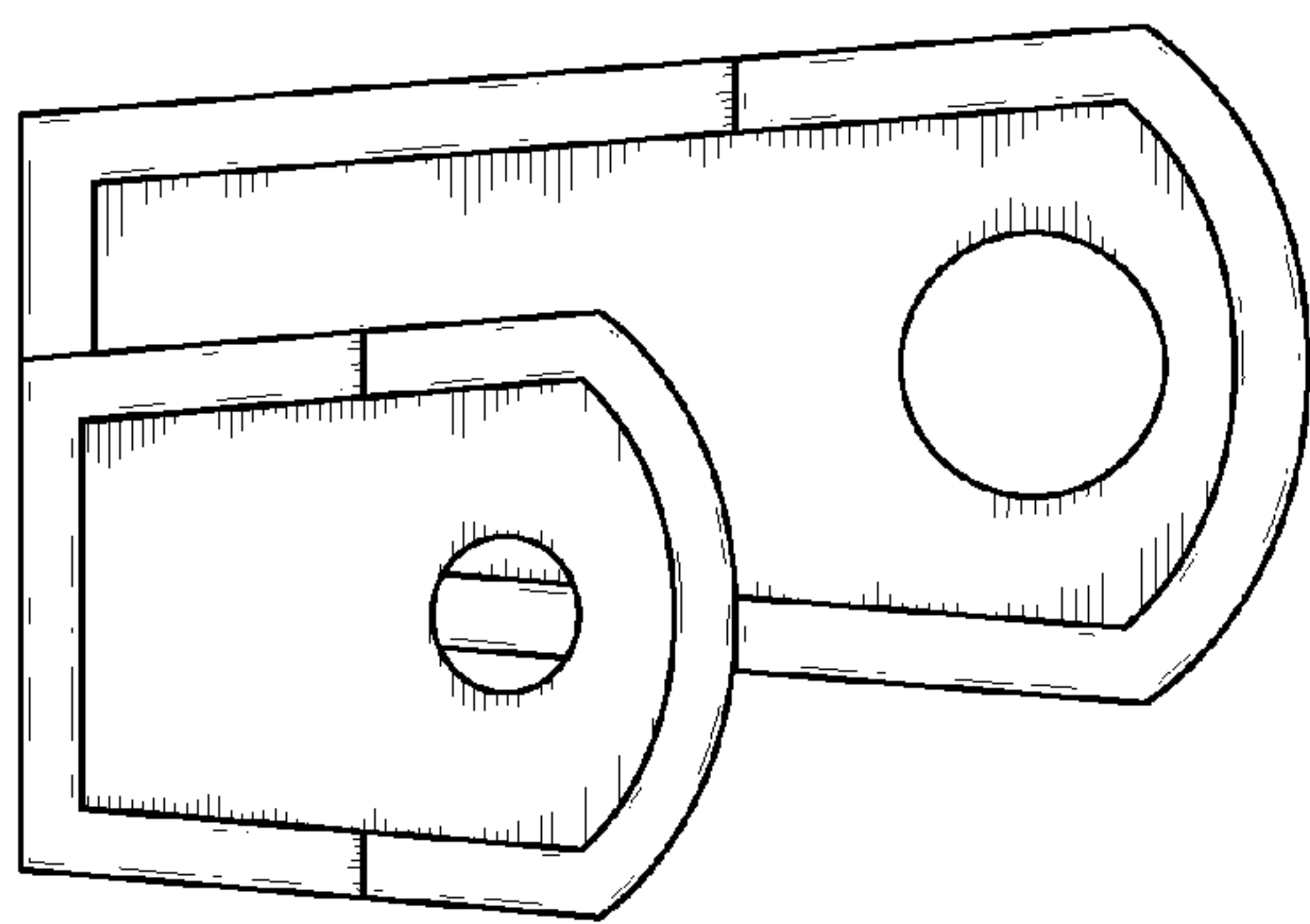
The broken lines in the drawing figures illustrate environmen-  
tal subject matter only and form no part of the claimed design.

**1 Claim, 4 Drawing Sheets**

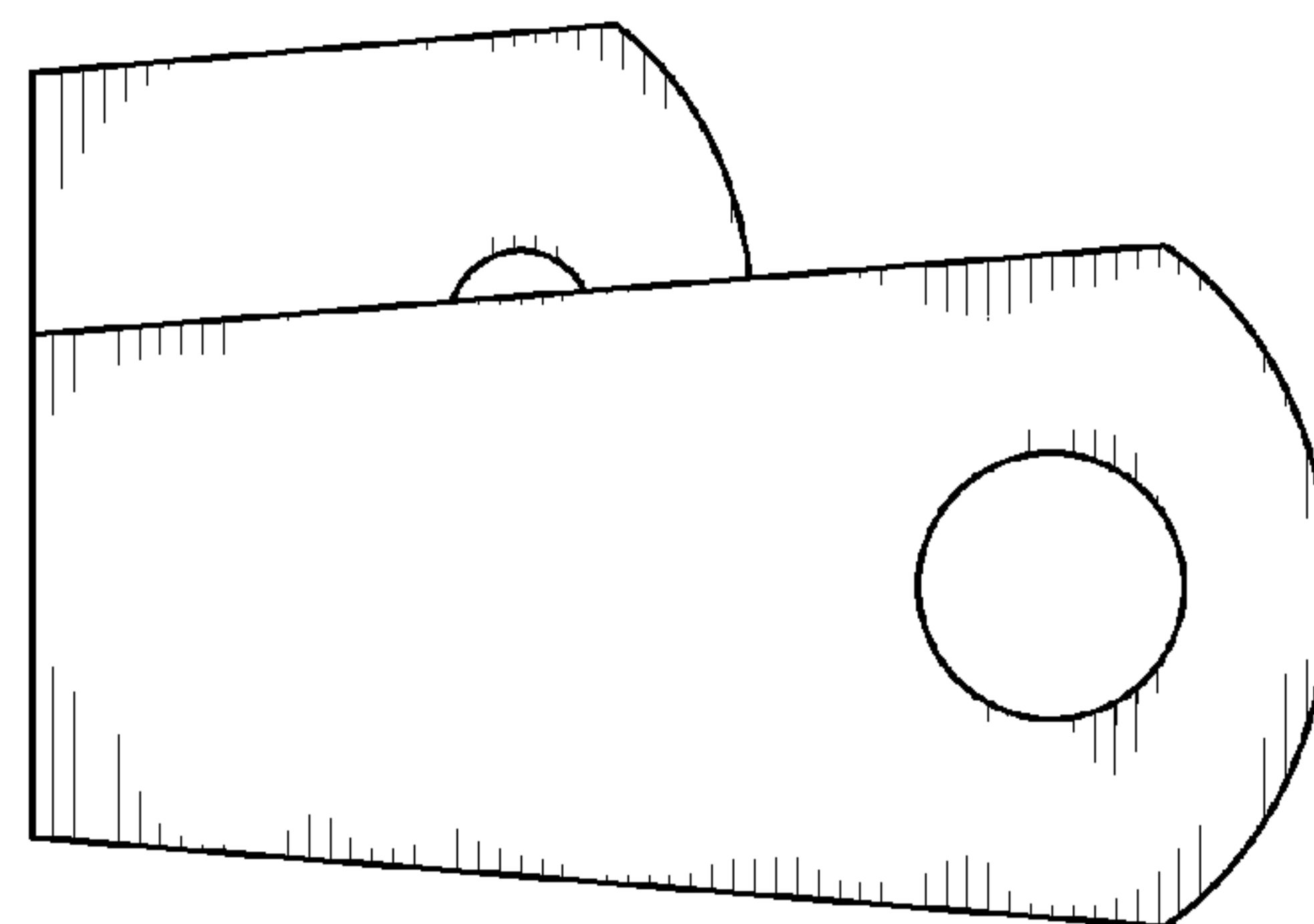




**FIG. 1**



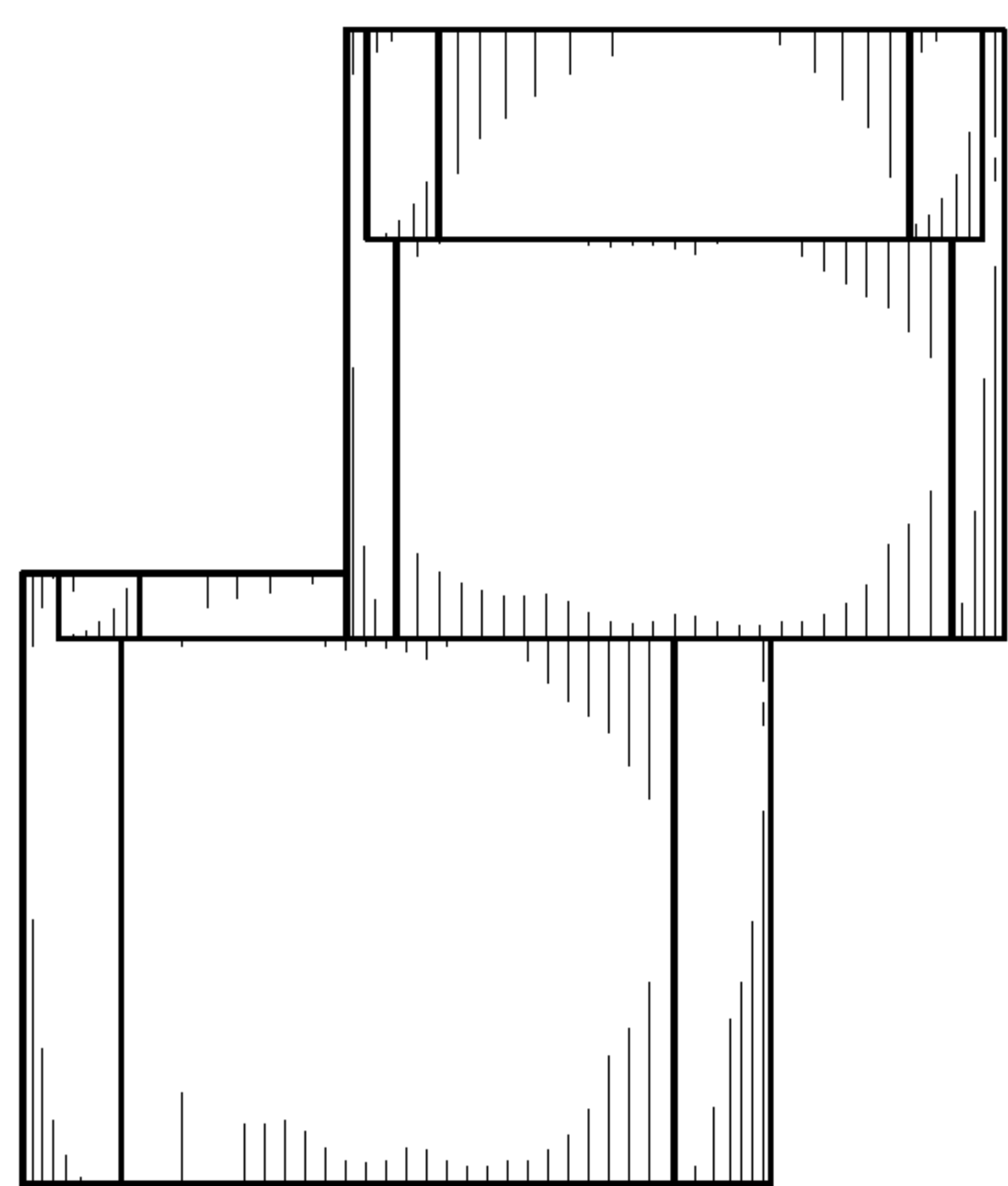
**FIG. 2**



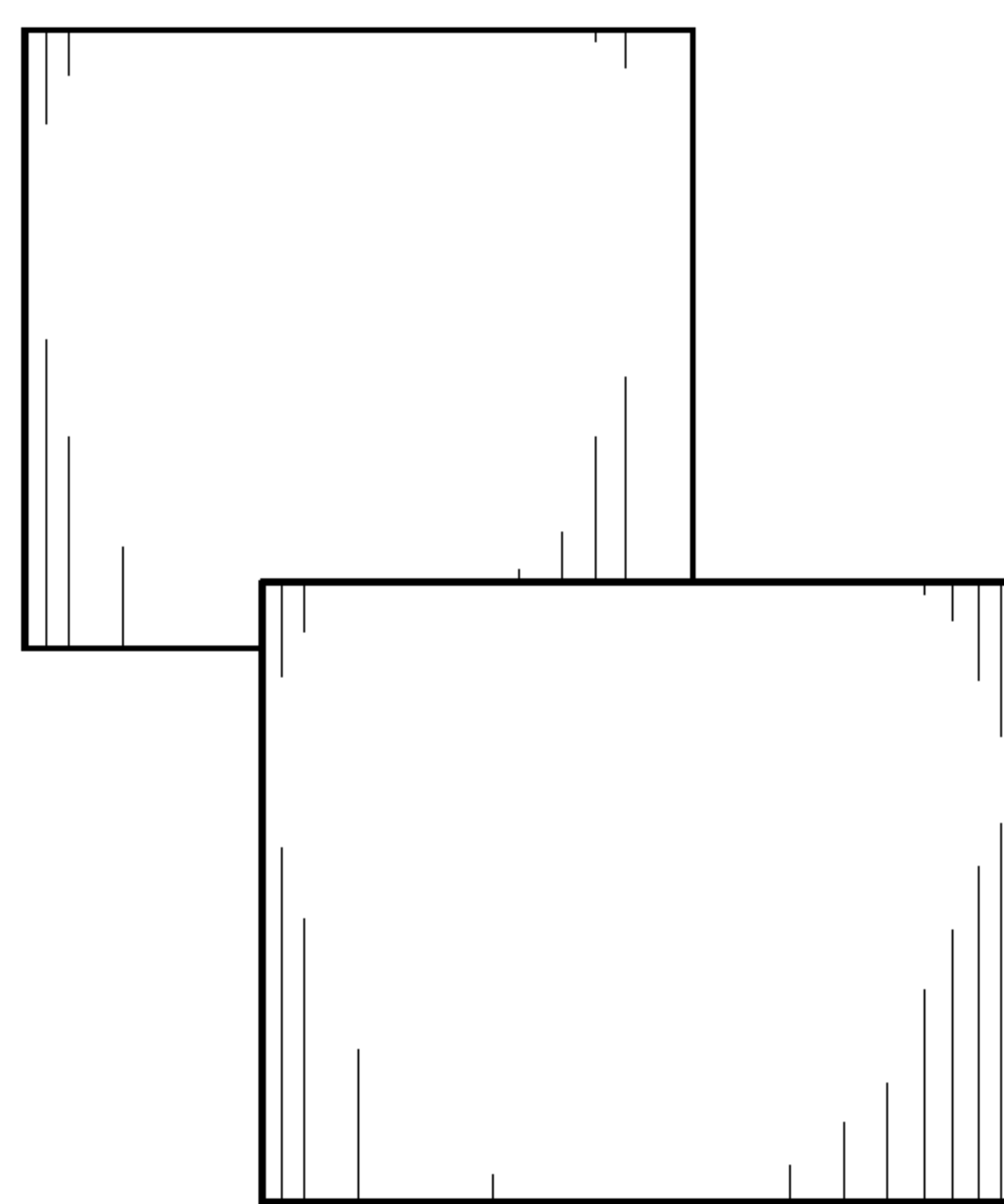
**FIG. 3**



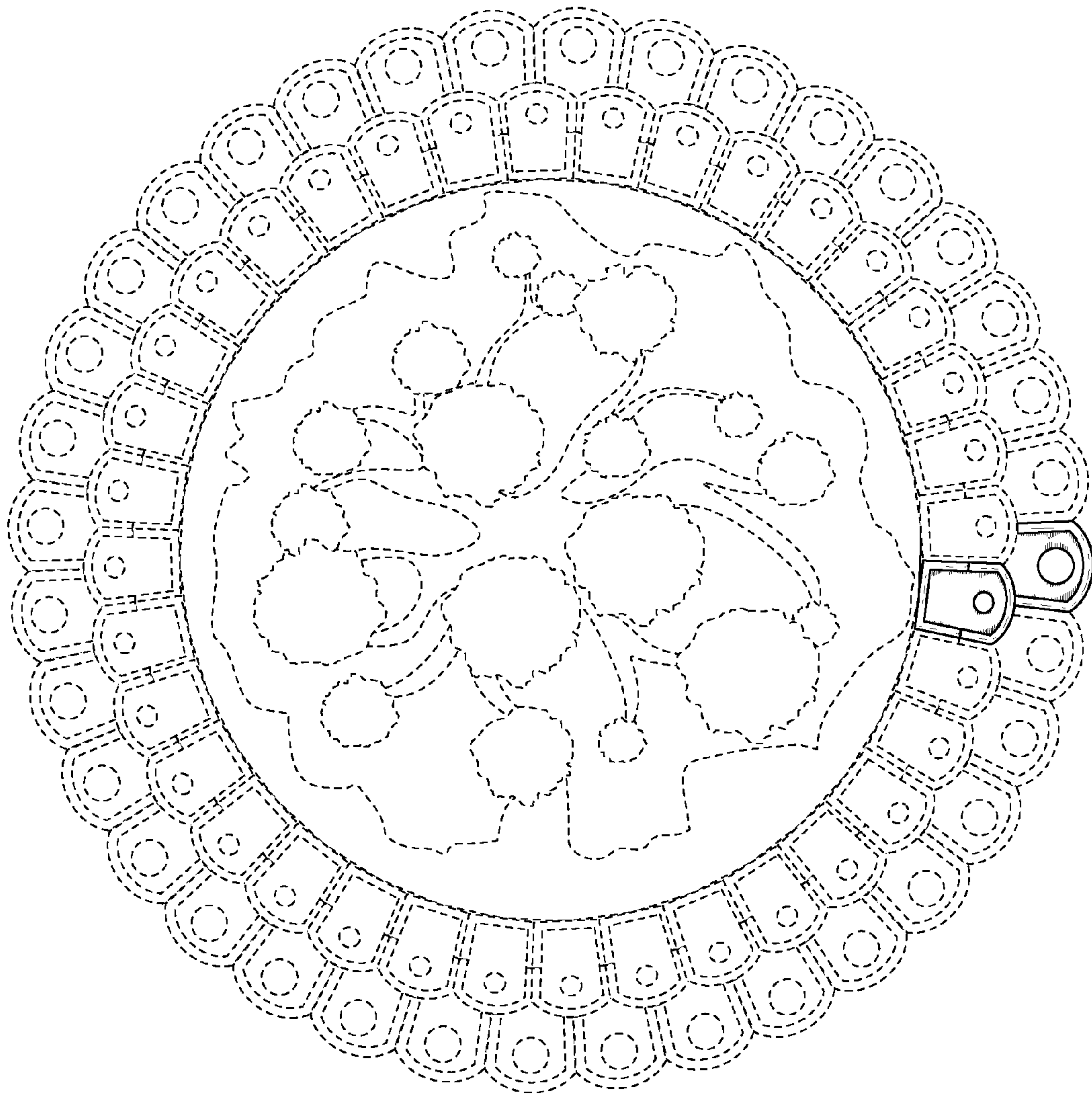
**FIG. 4**



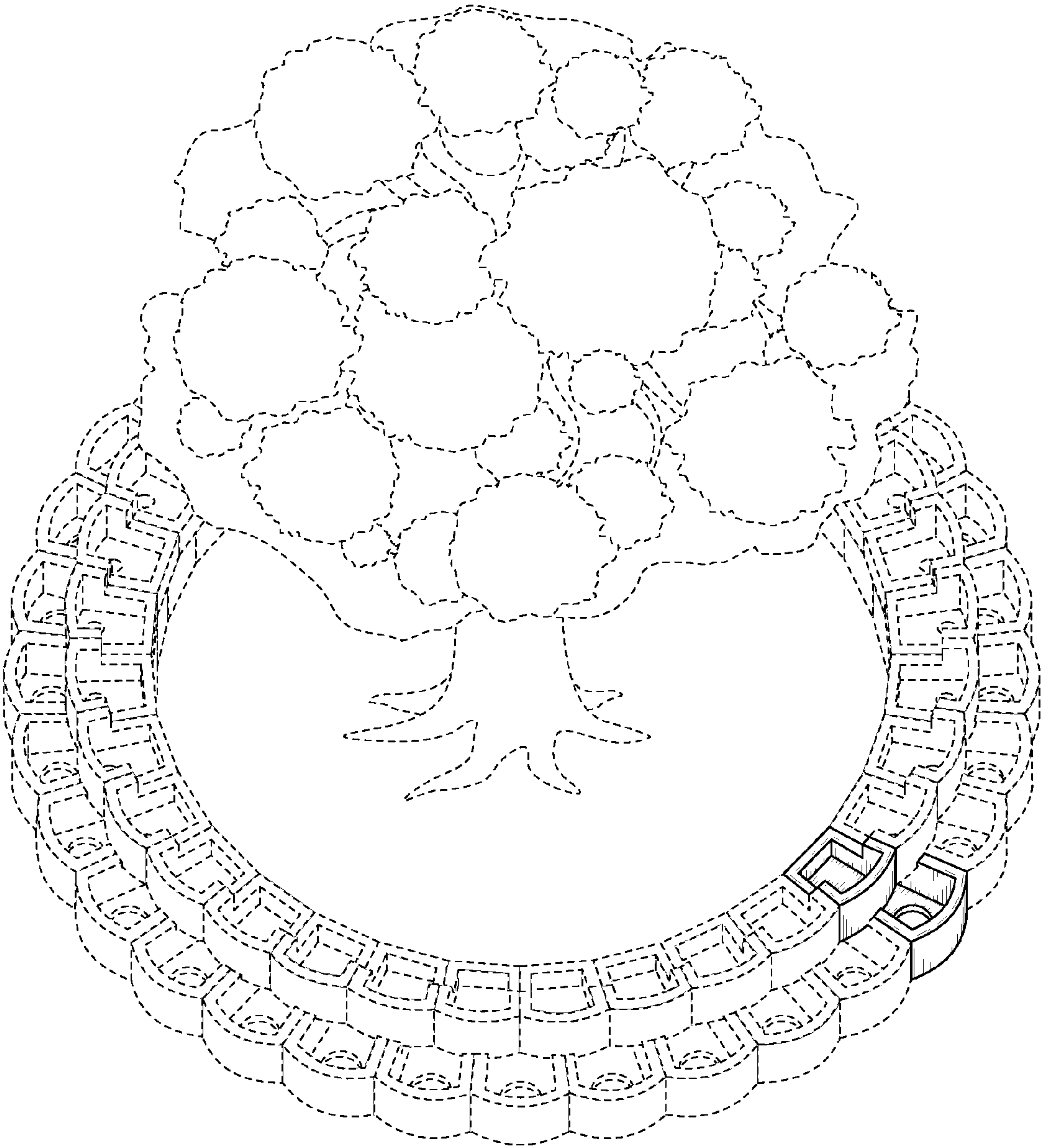
**FIG. 5**



**FIG. 6**



**FIG. 7**



**FIG. 8**